



US00D979558S

(12) **United States Design Patent**
Puspitasari

(10) **Patent No.:** **US D979,558 S**

(45) **Date of Patent:** **** Feb. 28, 2023**

- (54) **HULA GIRL CELLULAR PHONE HOLDER**
- (71) Applicant: **Marklyn Group, Inc.**, Brampton (CA)
- (72) Inventor: **Betharia Puspitasari**, Bandung (ID)
- (**) Term: **15 Years**
- (21) Appl. No.: **29/807,575**
- (22) Filed: **Sep. 13, 2021**
- (51) **LOC (14) Cl.** **14-03**
- (52) **U.S. Cl.**
USPC **D14/253**
- (58) **Field of Classification Search**
USPC D14/251–253, 447, 217, 440; D12/415
CPC H04M 1/04; B60R 11/0241
See application file for complete search history.

(56) **References Cited**

U.S. PATENT DOCUMENTS

- 1,423,383 A * 7/1922 Zaiden A63H 13/12
428/17
- D289,311 S * 4/1987 Kuo D21/639
- D294,057 S * 2/1988 Kim D21/639
- D314,411 S * 2/1991 Ziolkowski D21/639
- D315,933 S * 4/1991 Sung D21/639
- 5,259,806 A * 11/1993 Chang A63H 13/12
446/298
- D349,452 S * 8/1994 Stimac D21/639
- 5,564,209 A * 10/1996 Zagnoli G06F 1/1607
40/594
- D395,545 S * 6/1998 Crim, Jr. D3/218
- D437,123 S * 2/2001 Leon D6/300
- D570,807 S * 6/2008 Lin D14/126
- D572,681 S * 7/2008 Lin D14/126
- D596,013 S * 7/2009 Simmons D8/356
- D653,253 S * 1/2012 Chiu D14/371
- D666,213 S * 8/2012 Fahrberger D14/496
- D669,462 S * 10/2012 Avrahami D14/253
- D670,691 S * 11/2012 Novak D14/253
- D673,032 S * 12/2012 Tak D8/395

- D682,283 S * 5/2013 Tak D14/447
- D687,428 S * 8/2013 Kim D14/253
- D715,803 S * 10/2014 Major D14/447
- D715,805 S * 10/2014 Hilton D21/604
- D748,615 S * 2/2016 Lee D14/251
- D752,055 S * 3/2016 Aryeh D14/447
- D823,847 S * 7/2018 Lebovitz D14/253
- D825,548 S * 8/2018 Lebovitz D14/253
- D826,918 S * 8/2018 Lebovitz D14/253
- D877,741 S * 3/2020 Leeds-Frank D14/447
- D881,197 S * 4/2020 Chen D14/440
- D883,988 S * 5/2020 Li D14/440
- D886,109 S * 6/2020 Li D14/440
- D934,232 S * 10/2021 Francis D12/415
- D949,141 S * 4/2022 Reaux D14/253

(Continued)

OTHER PUBLICATIONS

Hula Girl Hug Buddy Air Vent Car Phone Holder, Amazon.com, Nov. 13, 2021. <<https://www.amazon.com/Hug-Buddy-Adjustable-Compatible-Smartphones/dp/B09FC17RYQ>> (Year: 2021).*

(Continued)

Primary Examiner — Janice Hallmark

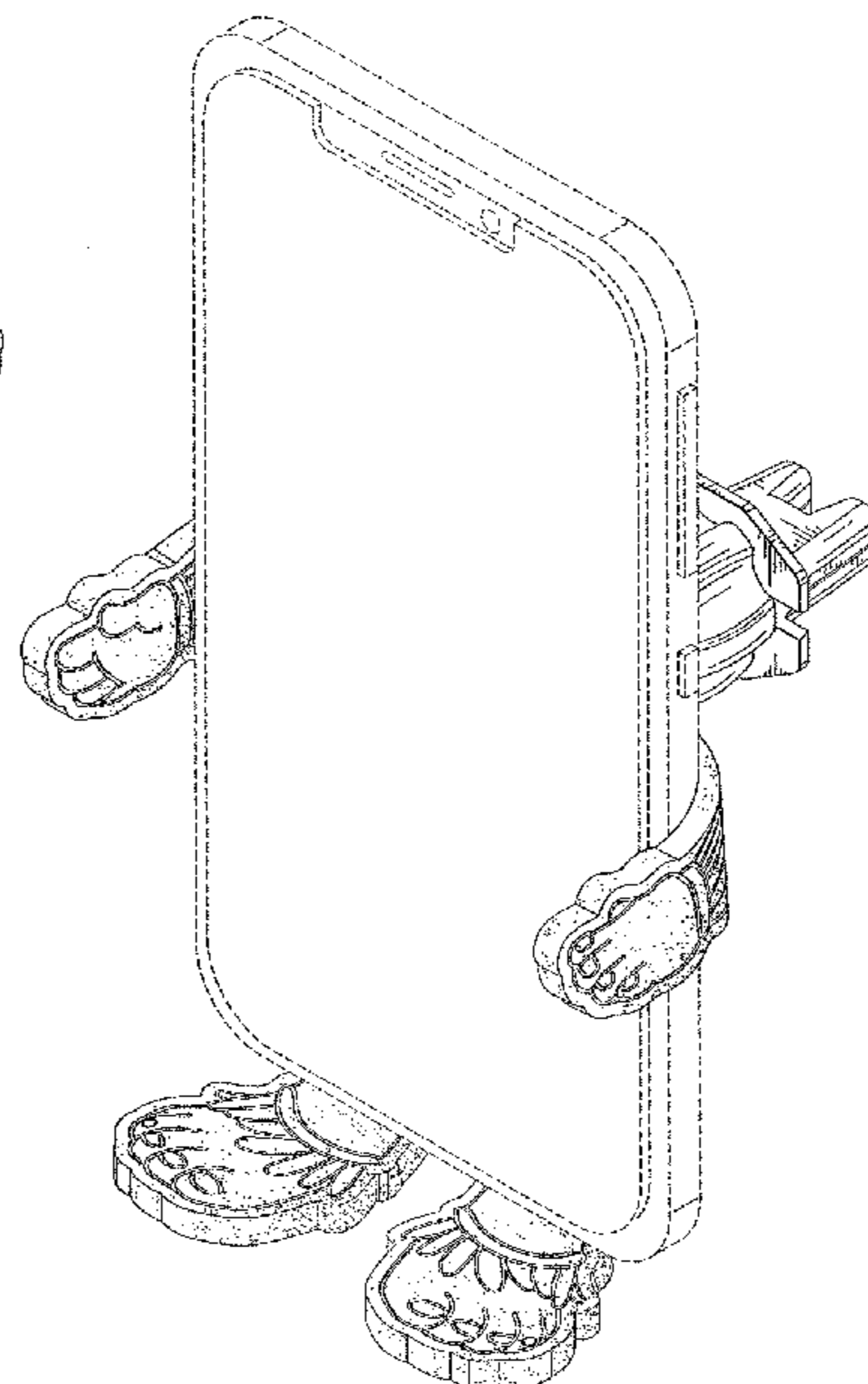
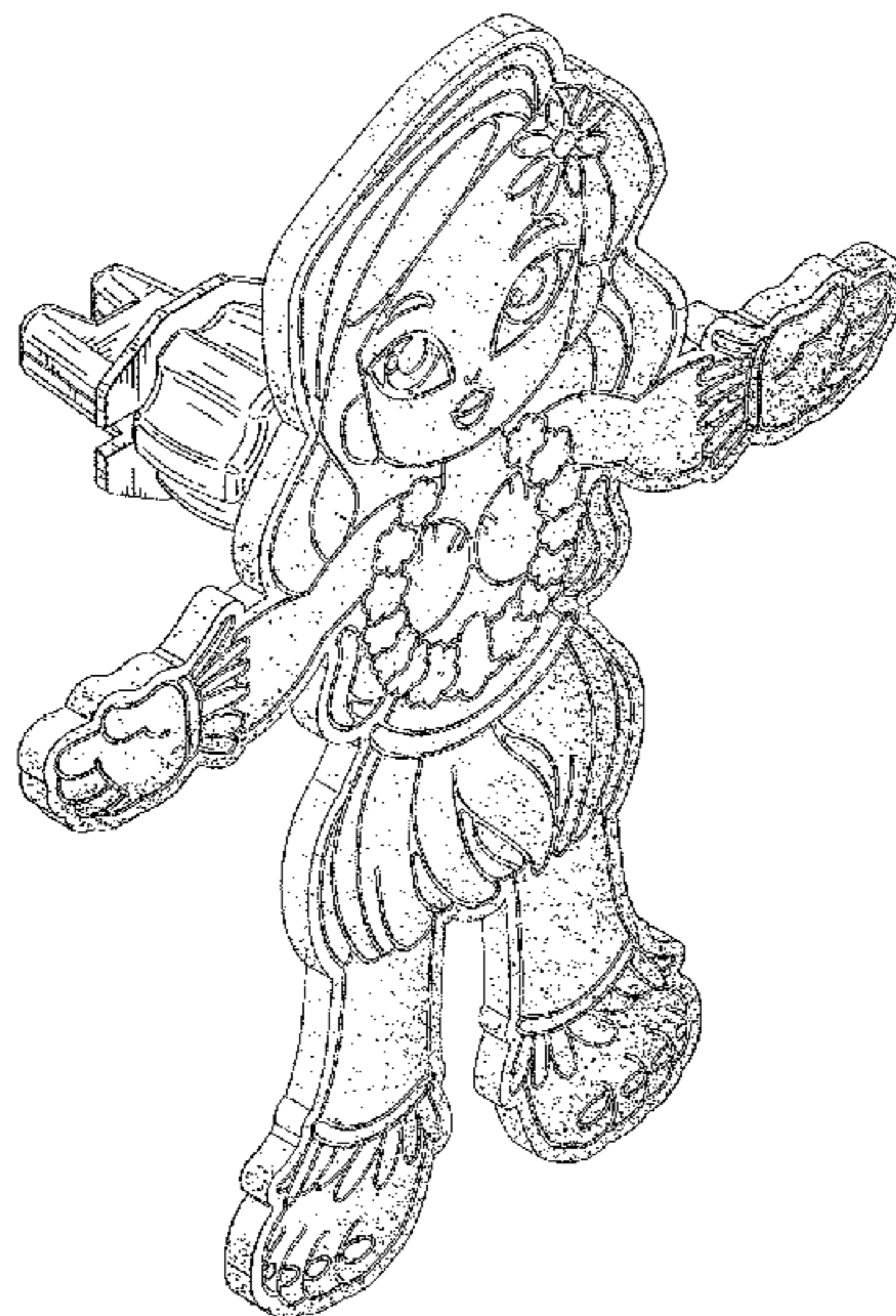
(57) **CLAIM**

The ornamental design for a hula girl cellular phone holder, as shown.

DESCRIPTION

FIG. 1 is a front perspective view of a hula girl cellular phone holder showing our new design; FIG. 2 is a front elevational view thereof; FIG. 3 is a side elevational view thereof. FIG. 4 is a back elevational view thereof; and, FIG. 5 is a front perspective view of the hula girl cellular phone holder of FIG. 1 shown in an alternate position of use with a cellular phone being held therein.

1 Claim, 5 Drawing Sheets



(56)

References Cited

U.S. PATENT DOCUMENTS

D955,376 S * 6/2022 Li D14/253
2012/0309256 A1 * 12/2012 Theodore A63H 3/02
446/72
2022/0073009 A1 * 3/2022 Wang B60R 11/0241

OTHER PUBLICATIONS

LoveHandle Universal Phone Grip Hula Girl, Amazon.com, Jun. 27, 2020. <<https://www.amazon.com/LoveHandle-Universal-Smartphones-Tablets-lh-01-hulagirl/dp/B08BXHF4CN?th=1>> (Year: 2020).*

Lindo Hula Ring and Car Hook Hula Girl, Lindo Products, 2021. <<https://www.lindoproducts.com/store/lindo-hula-ring-and-car-hook-hula-girl/>> (Year: 2020).*

* cited by examiner

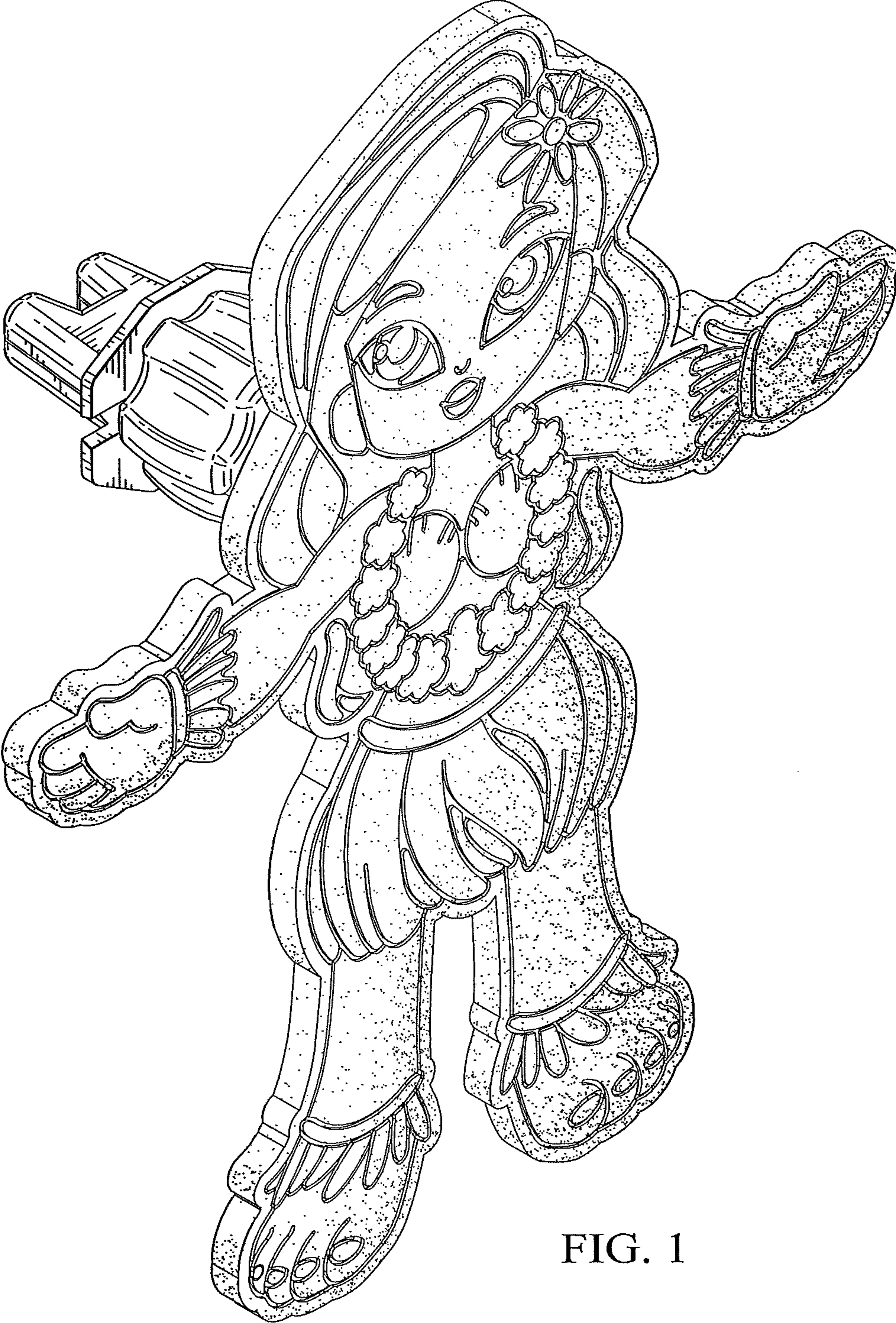


FIG. 1

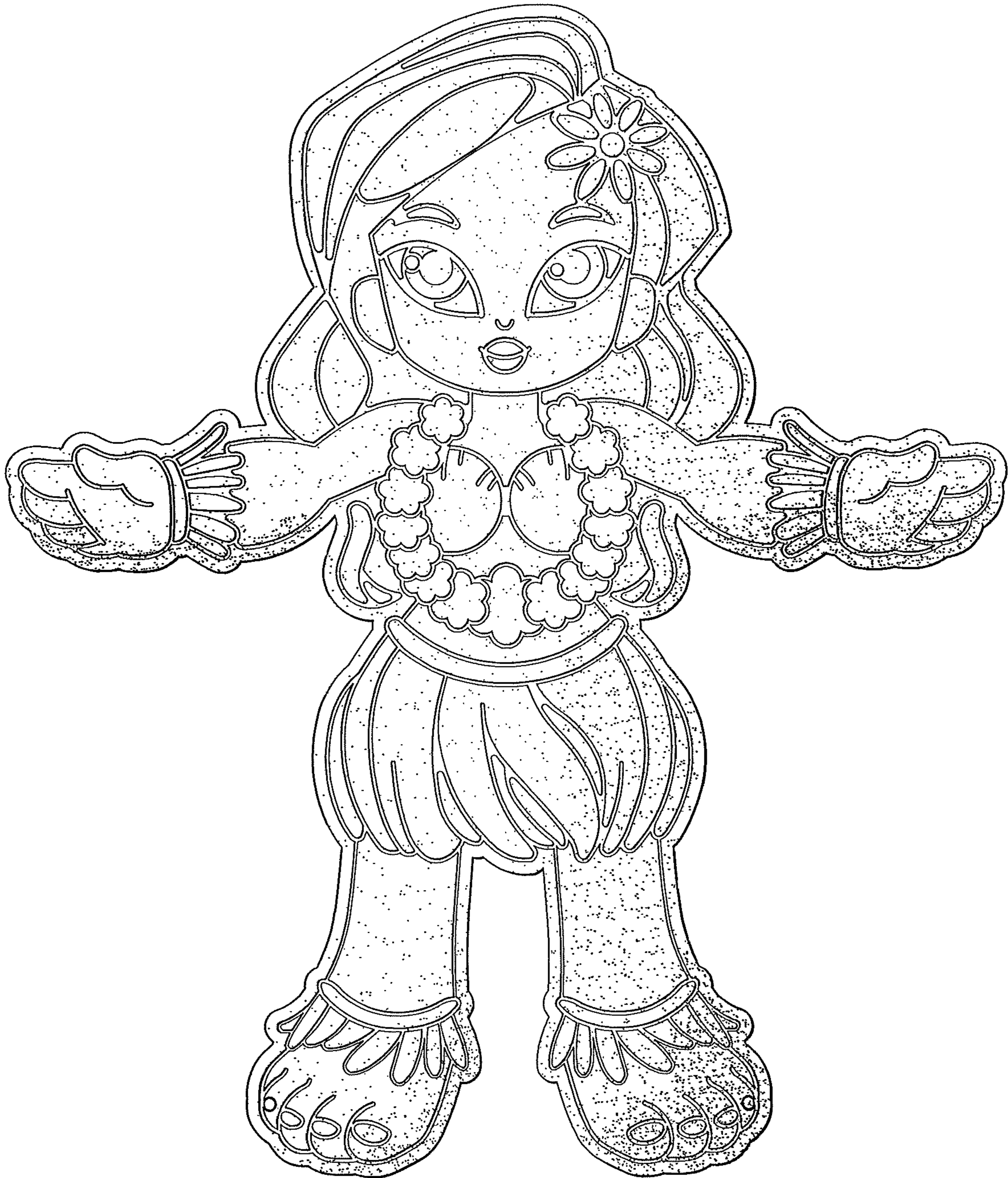


FIG. 2

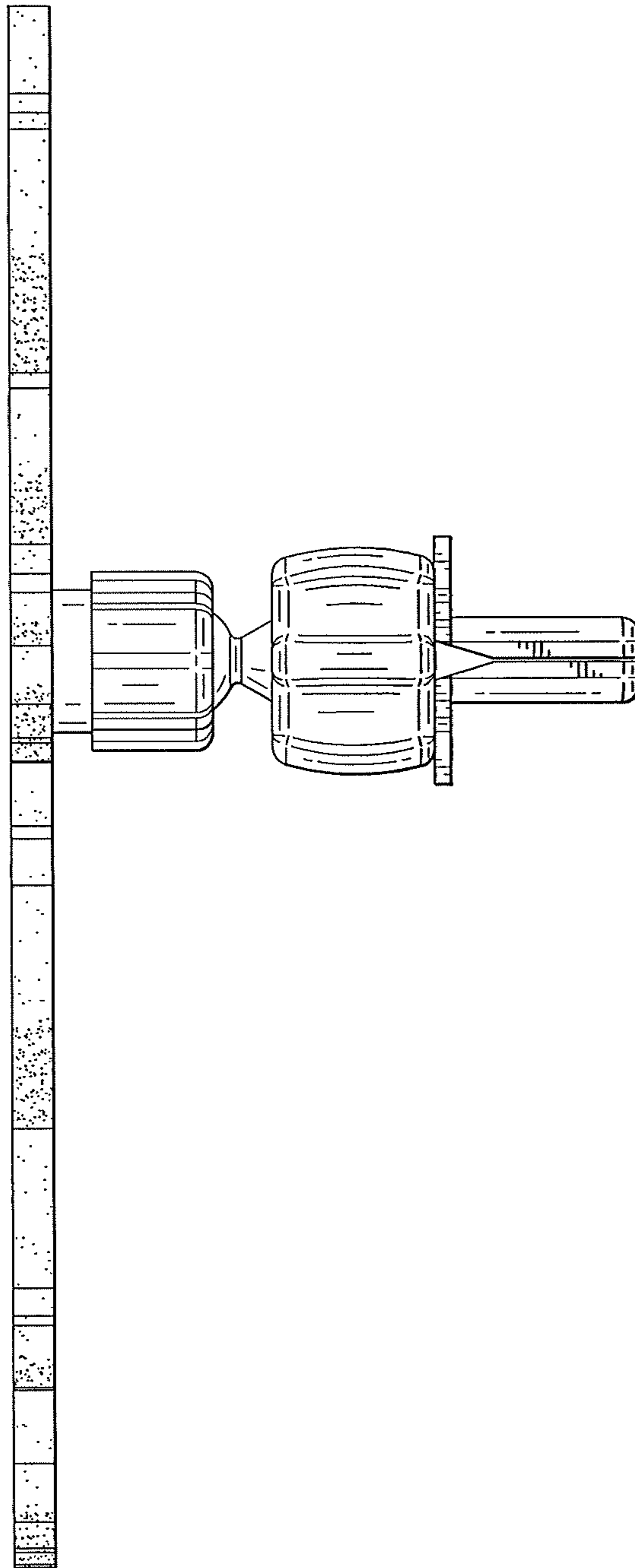


FIG. 3

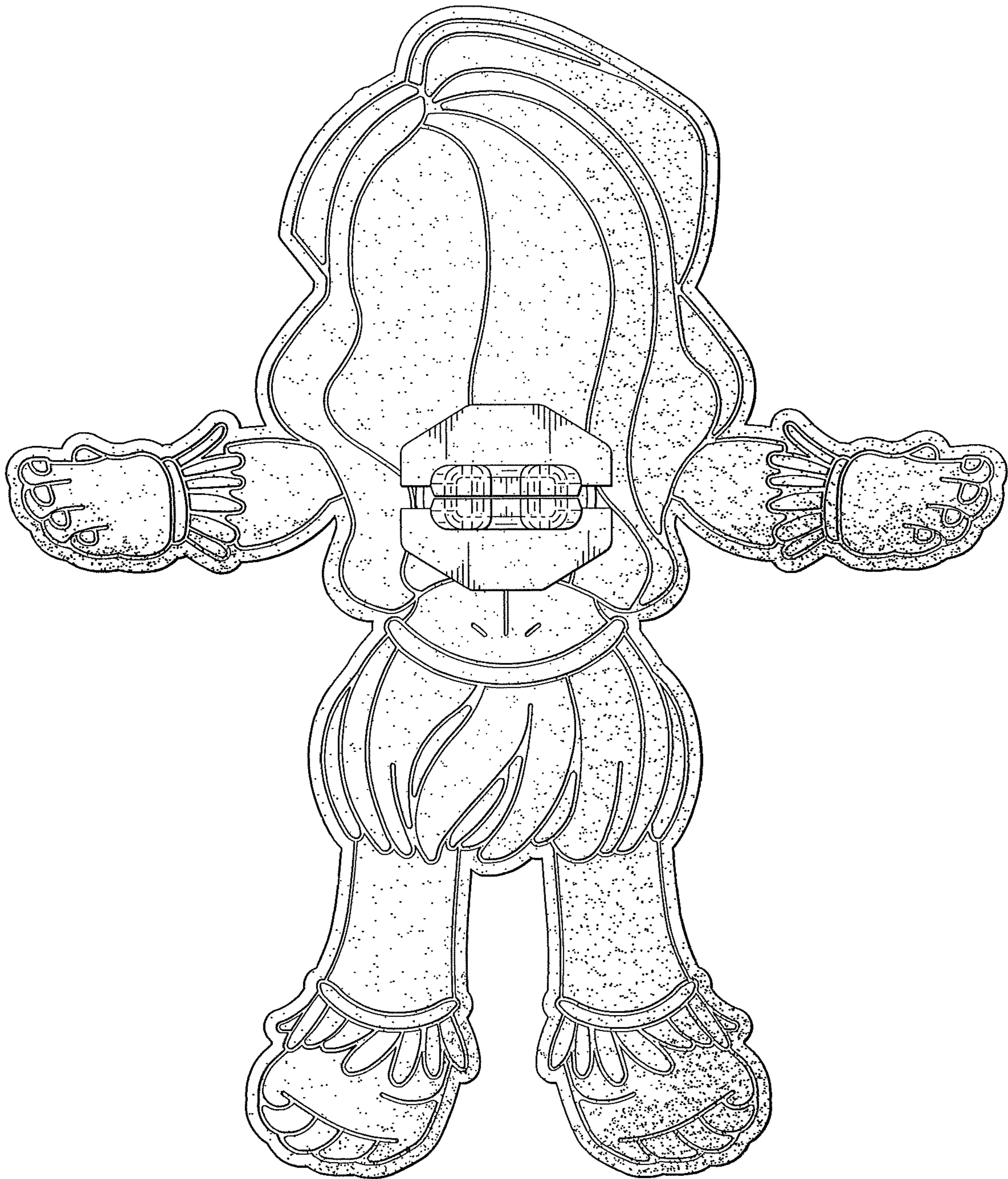


FIG. 4

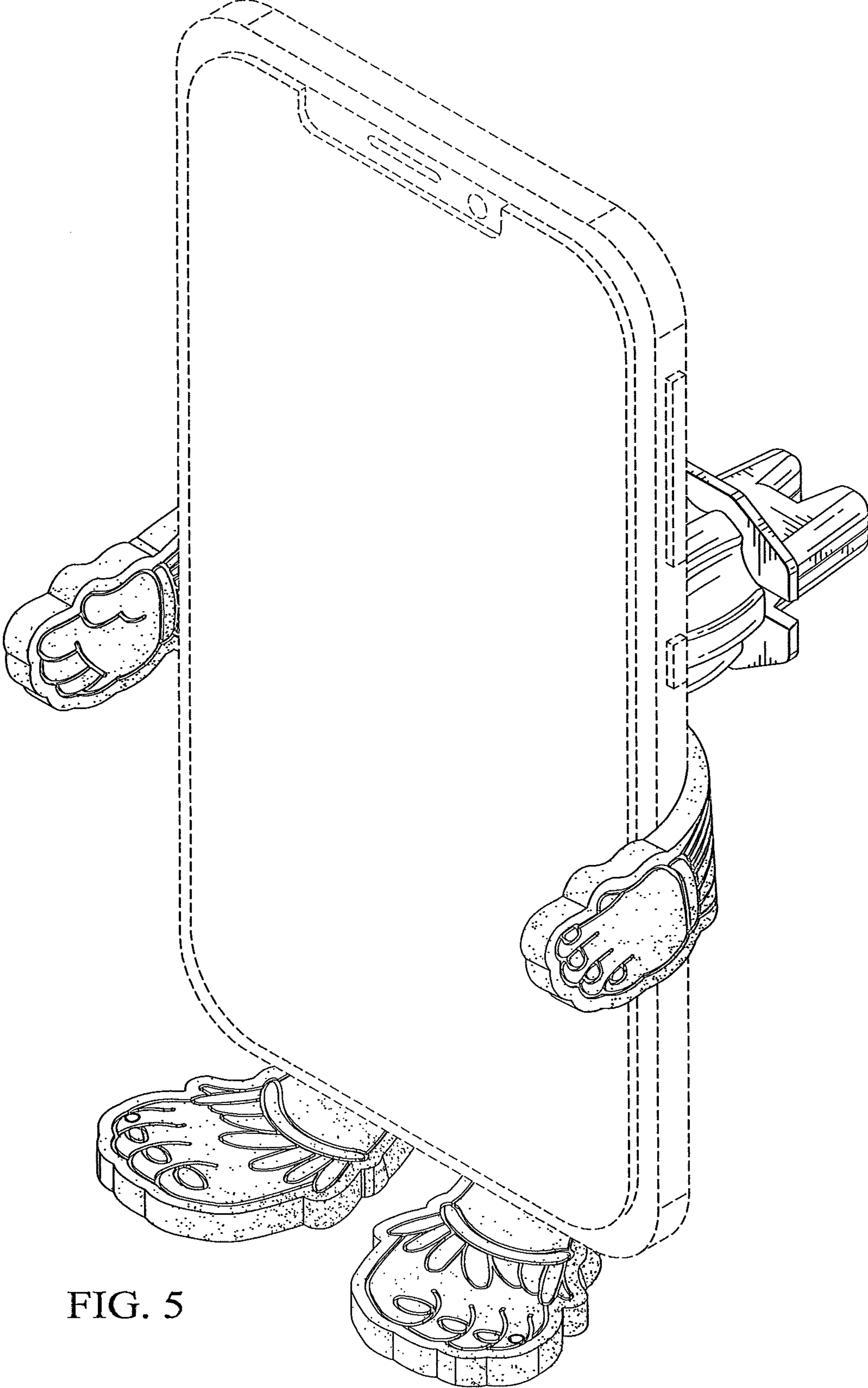


FIG. 5