



US00D979556S

(12) **United States Design Patent** (10) **Patent No.:** **US D979,556 S**
Chen et al. (45) **Date of Patent:** **** Feb. 28, 2023**

- (54) **COMBINED MOUNT ACCESSORY BASE AND SUPPORT FOR VARIABLE-SIZE PHONE GRIPS**
- (71) Applicant: **POPSOCKETS LLC**, Boulder, CO (US)
- (72) Inventors: **Ivan Chen**, Boulder, CO (US); **James Ridzon**, Boulder, CO (US); **Nicholas Von Barga**, Boulder, CO (US); **Lawrence Herman Fong**, Boulder, CO (US); **Michael Kory**, Boulder, CO (US); **Randy Yang Chiang**, Boulder, CO (US)
- (73) Assignee: **POPSOCKETS LLC**, Boulder, CO (US)
- (**) Term: **15 Years**
- (21) Appl. No.: **29/756,914**
- (22) Filed: **Oct. 31, 2020**

Related U.S. Application Data

- (63) Continuation-in-part of application No. 29/751,262, filed on Sep. 18, 2020.
- (51) **LOC (14) Cl.** **14-99**
- (52) **U.S. Cl.**
USPC **D14/253**
- (58) **Field of Classification Search**
USPC D14/251–253, 224, 224.1, 432–434, 447, D14/451, 452; D12/114, 415, 426.1, 223, D12/406, 407; D16/242, 244, 245; D3/218; D13/108
CPC B60R 11/00; B60R 11/02; B60R 11/0241; B60R 11/0252; B60R 2011/0003; B60R 2011/0005; B60R 2011/0008; H04M 1/04; F16M 11/00; F16M 11/04; F16M 11/041; F16M 11/06; H05K 5/0204
See application file for complete search history.

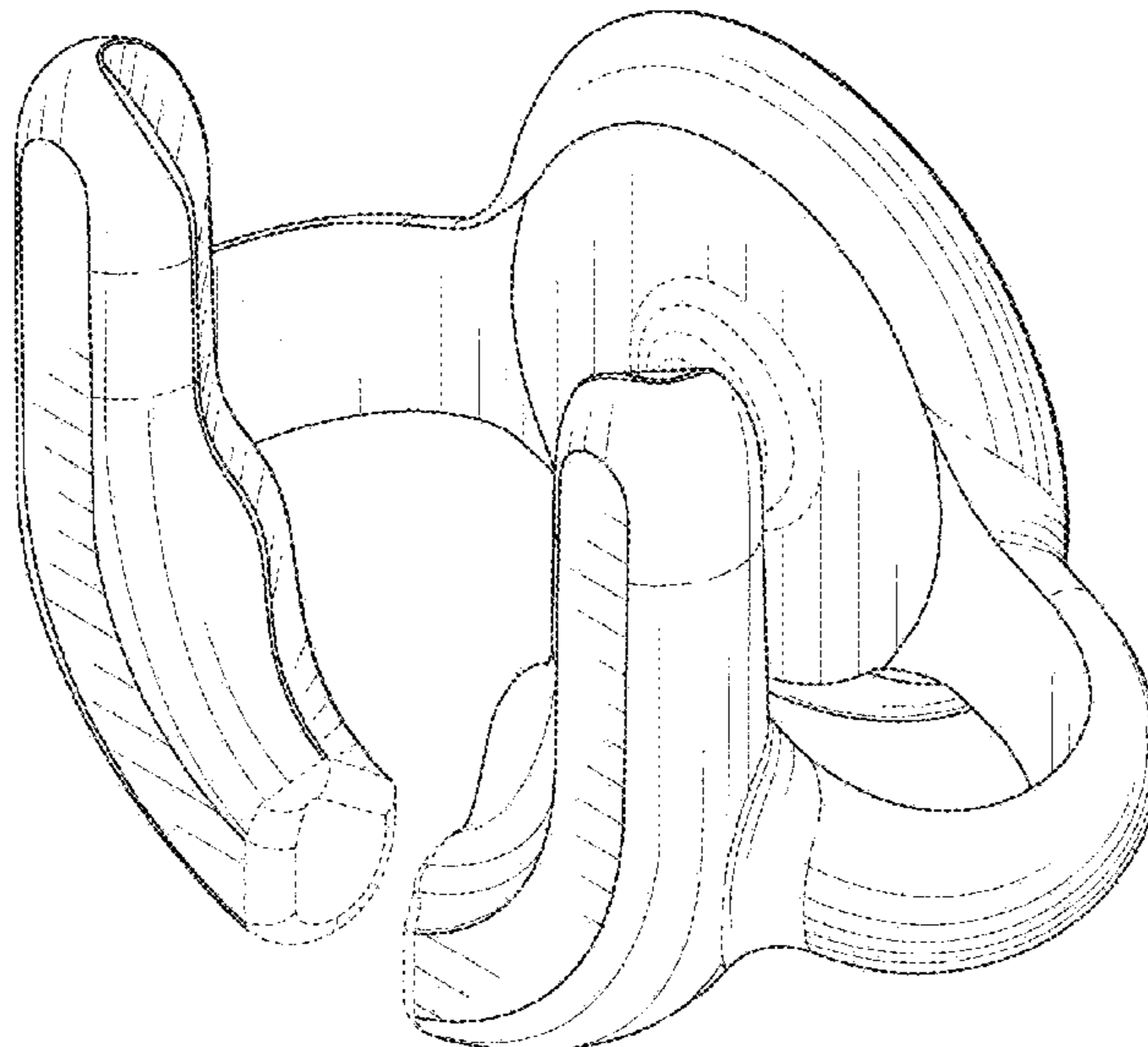
- (56) **References Cited**
U.S. PATENT DOCUMENTS
D358,822 S * 5/1995 Rudkiewicz D14/142
D387,897 S * 12/1997 Yorke D3/215
D456,074 S * 4/2002 McCurry D24/128
6,484,918 B1 * 11/2002 Lefebvre A61B 7/02
224/678
D483,939 S * 12/2003 Kountz D3/215
D528,539 S * 9/2006 McClaude D3/218
D529,489 S * 10/2006 Sbordon, Jr. D3/218
(Continued)
FOREIGN PATENT DOCUMENTS
CN 305376766 * 10/2019
Primary Examiner — Rebekah A Caruso
(74) *Attorney, Agent, or Firm* — Holland & Hart LLP

(57) **CLAIM**
The ornamental design for a combined mount accessory base and support for variable-size phone grips, as shown and described.

DESCRIPTION

FIG. 1 is a bottom perspective view of the combined mount accessory base and supports for variable-size phone grips according to the present invention; FIG. 2 is another bottom perspective view thereof; FIG. 3 is a top perspective view thereof; FIG. 4 is another top perspective view thereof; FIG. 5 is a bottom view thereof; FIG. 6 is a top view thereof; FIG. 7 is a right side view thereof; FIG. 8 is a left side view thereof; FIG. 9 is a front view thereof; and, FIG. 10 is a rear view thereof. The broken lines are included for the purpose of illustrating environment and form no part of the claimed design.

1 Claim, 9 Drawing Sheets



(56)

References Cited

U.S. PATENT DOCUMENTS

D545,812	S *	7/2007	Grady	D14/496
D570,100	S *	6/2008	Chen	D3/218
D600,006	S *	9/2009	Lau	D3/229
D603,249	S *	11/2009	Richter	D8/380
D648,918	S	11/2011	Gledhill	
D710,363	S *	8/2014	Wengreen	D8/380
D776,916	S *	1/2017	Yeruva	D3/218
D777,022	S *	1/2017	Barnett	D8/394
D807,635	S *	1/2018	Clover	D3/218
D808,641	S *	1/2018	Clover	D3/218
D907,626	S *	1/2021	Barnett	D14/253
11,303,743	B2 *	4/2022	Chen	H04M 1/04
D950,633	S *	5/2022	Esses	D16/242
2011/0062203	A1 *	3/2011	Weger	A45F 5/02
				224/191
2021/0178862	A1 *	6/2021	Alves	B60R 11/02
2021/0289064	A1 *	9/2021	Chen	G06F 1/1607

* cited by examiner

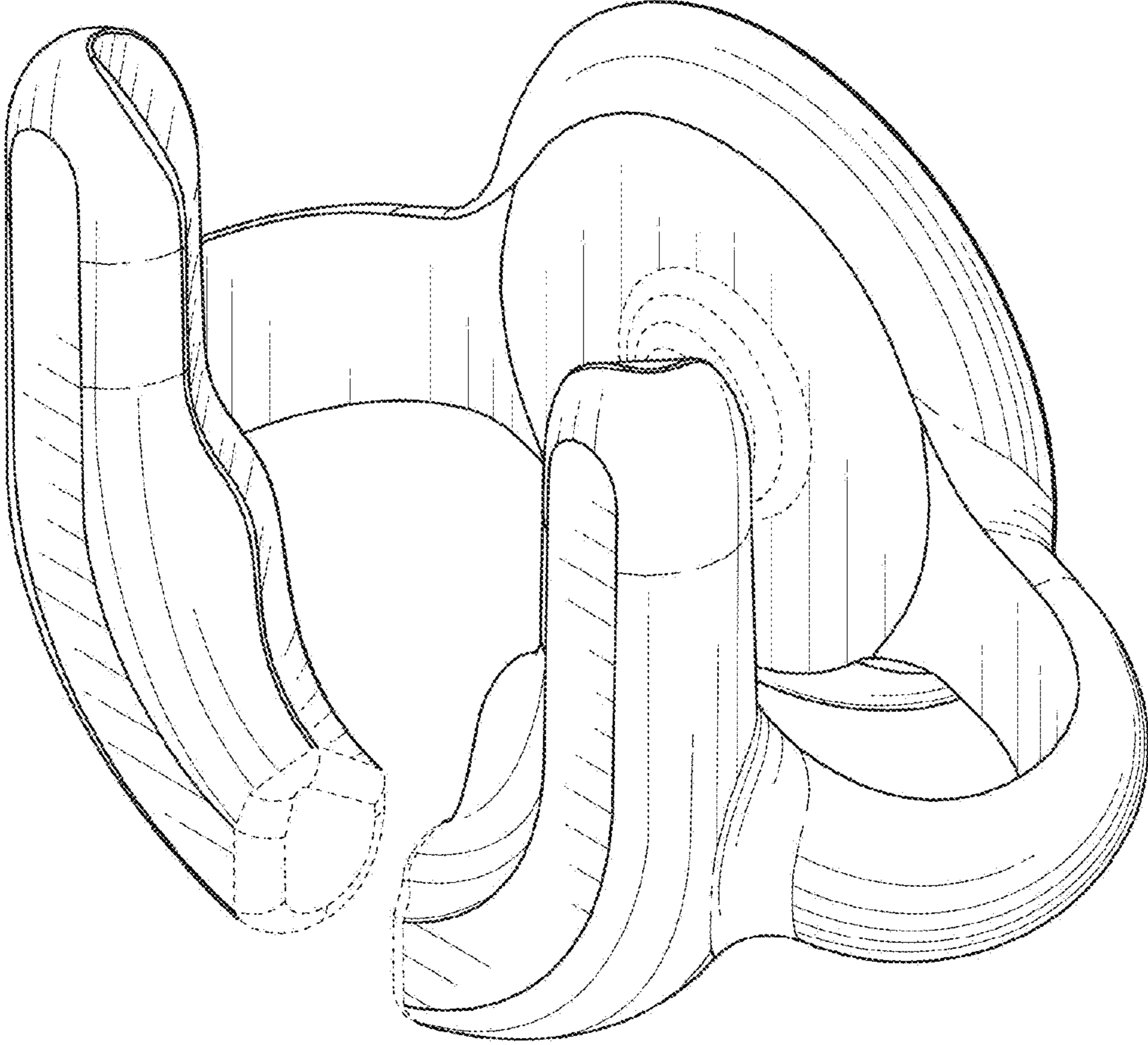


FIG. 1

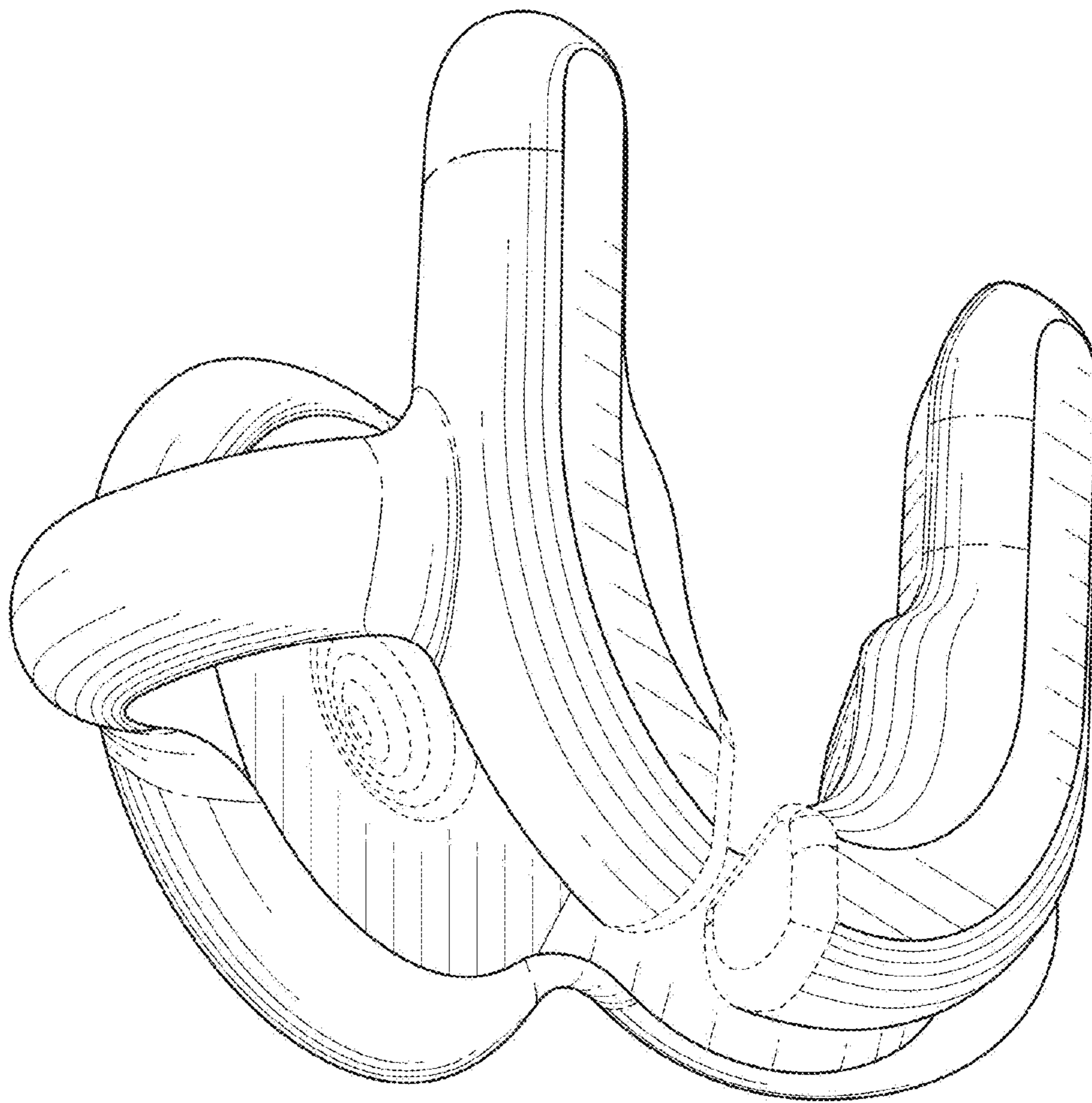


FIG. 2

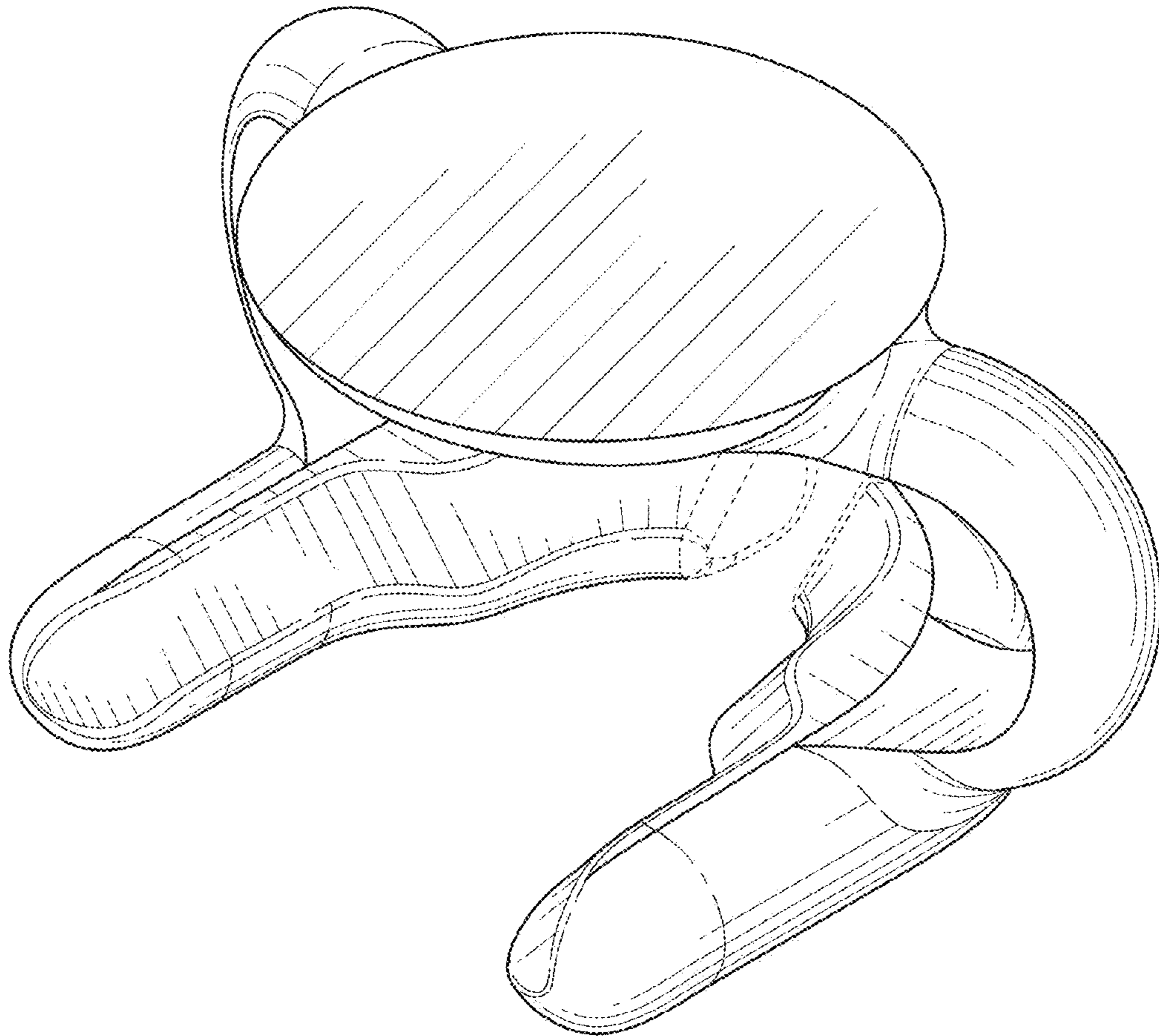


FIG. 3

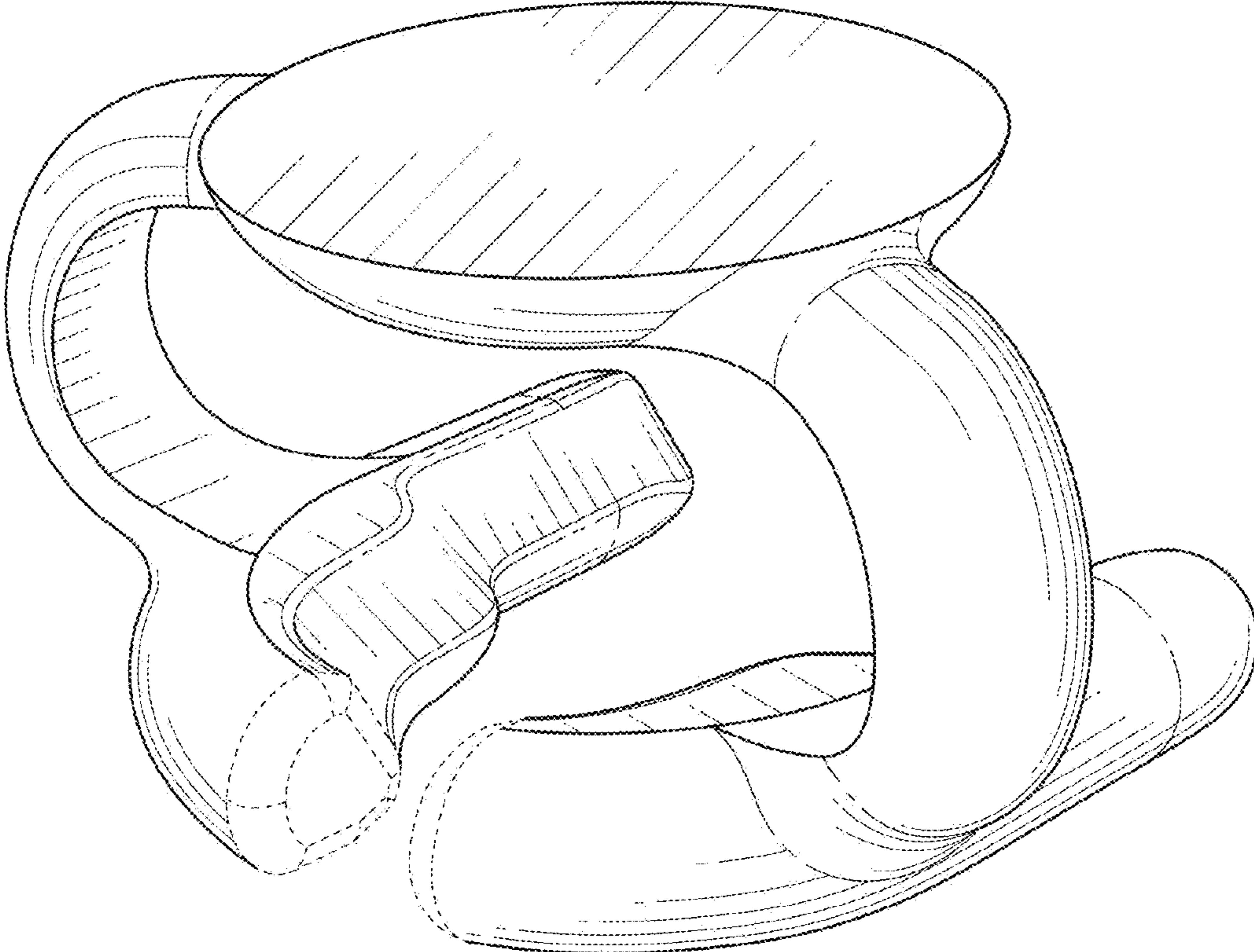


FIG. 4

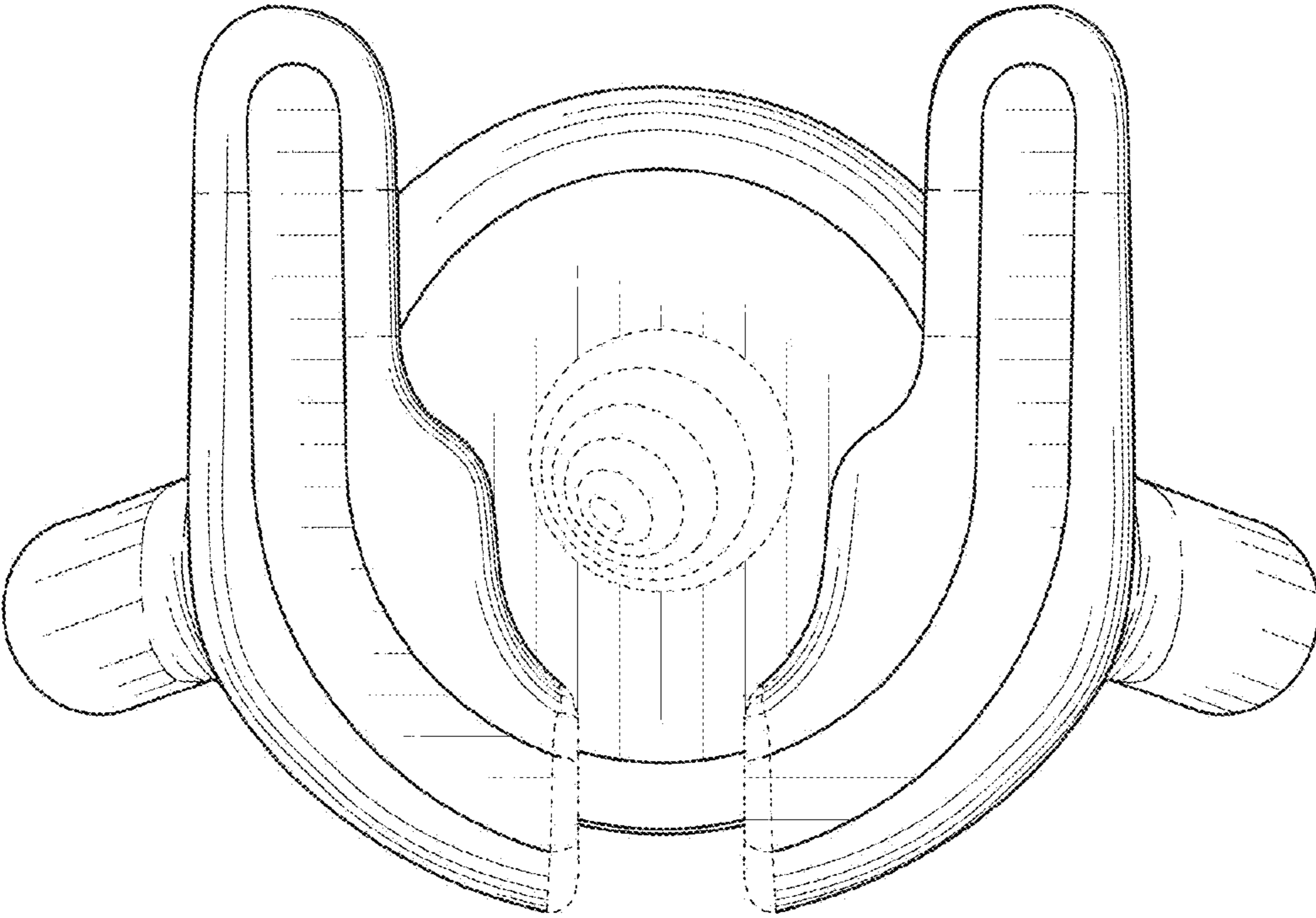


FIG. 5

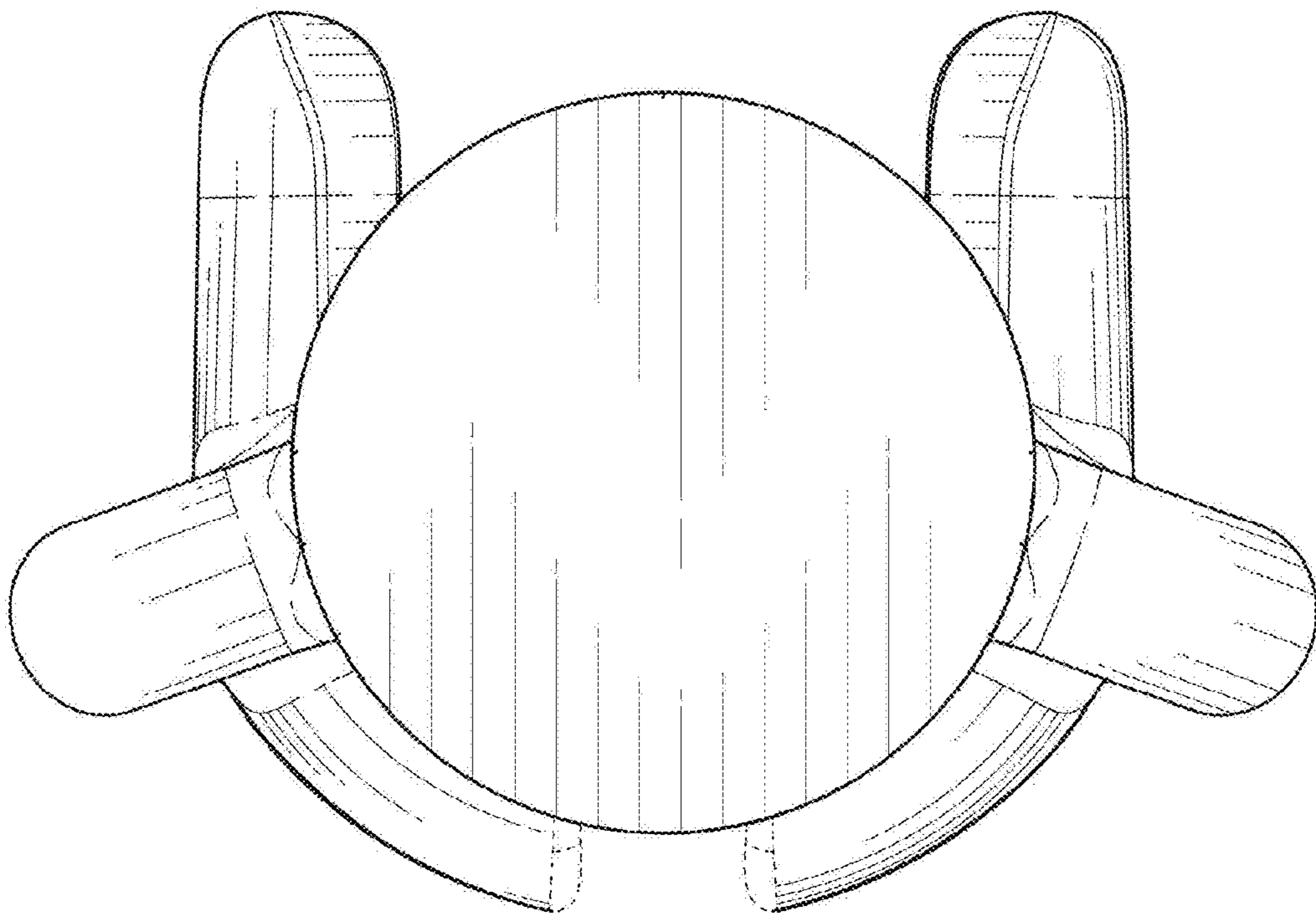


FIG. 6

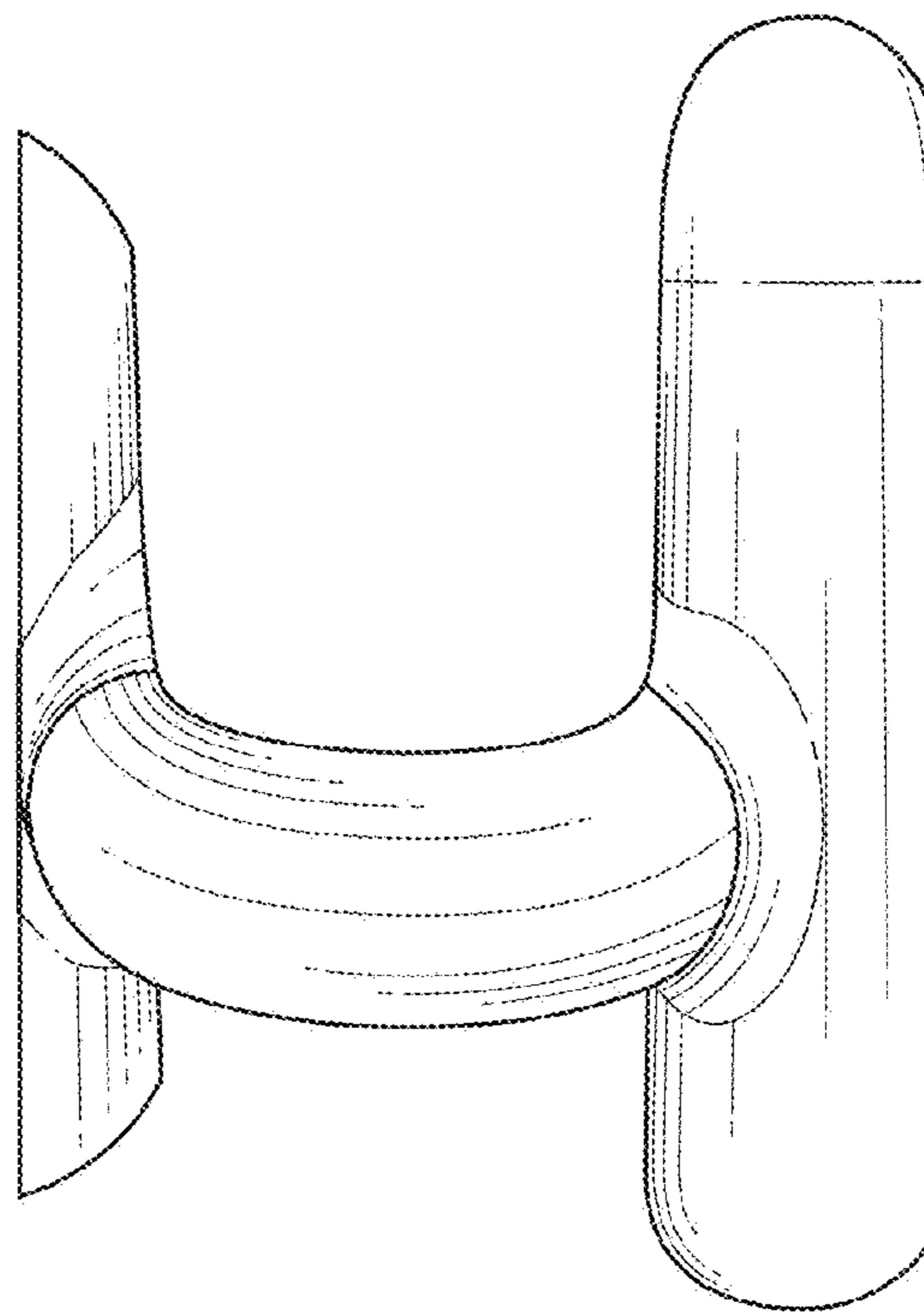


FIG. 7

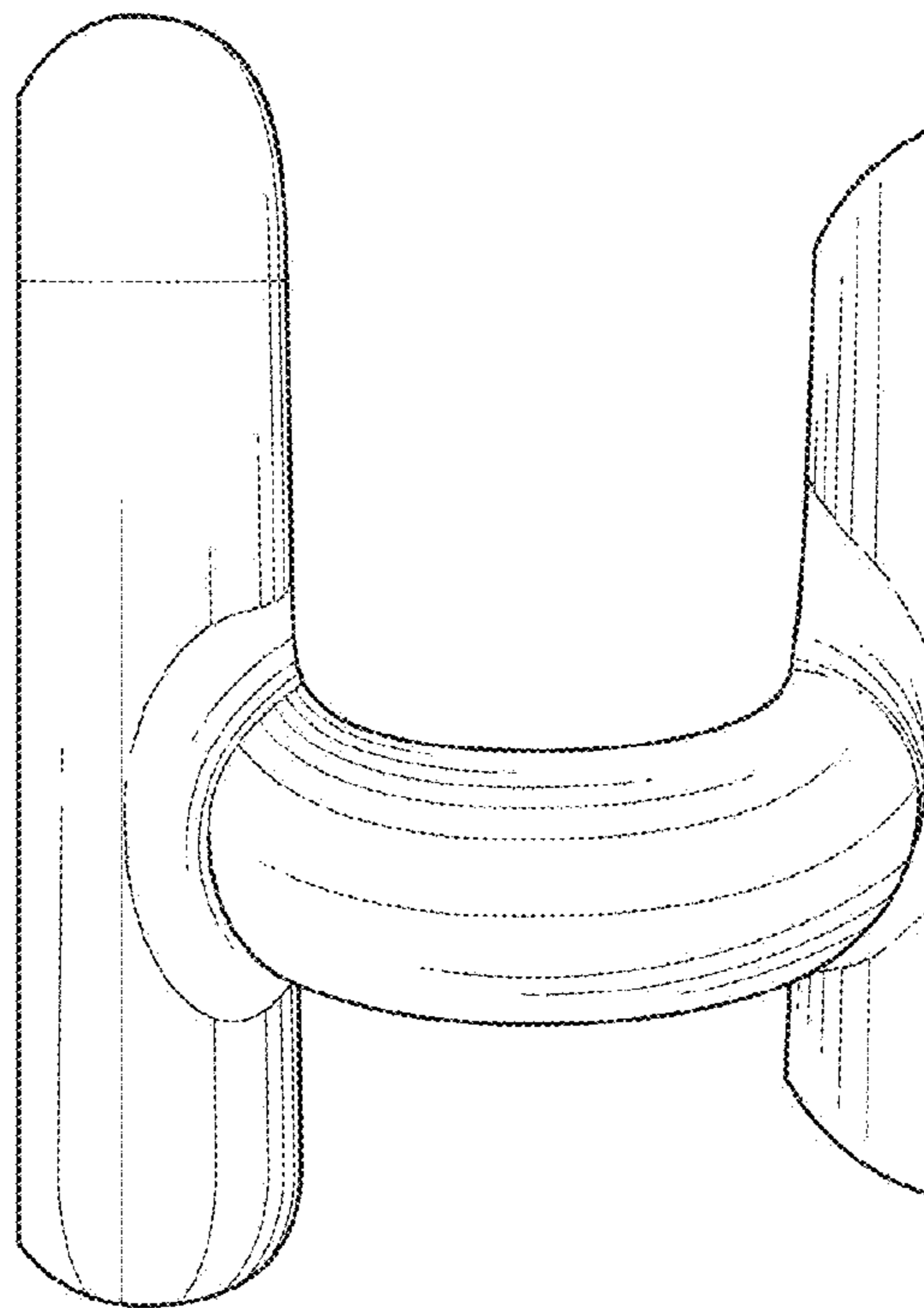


FIG. 8

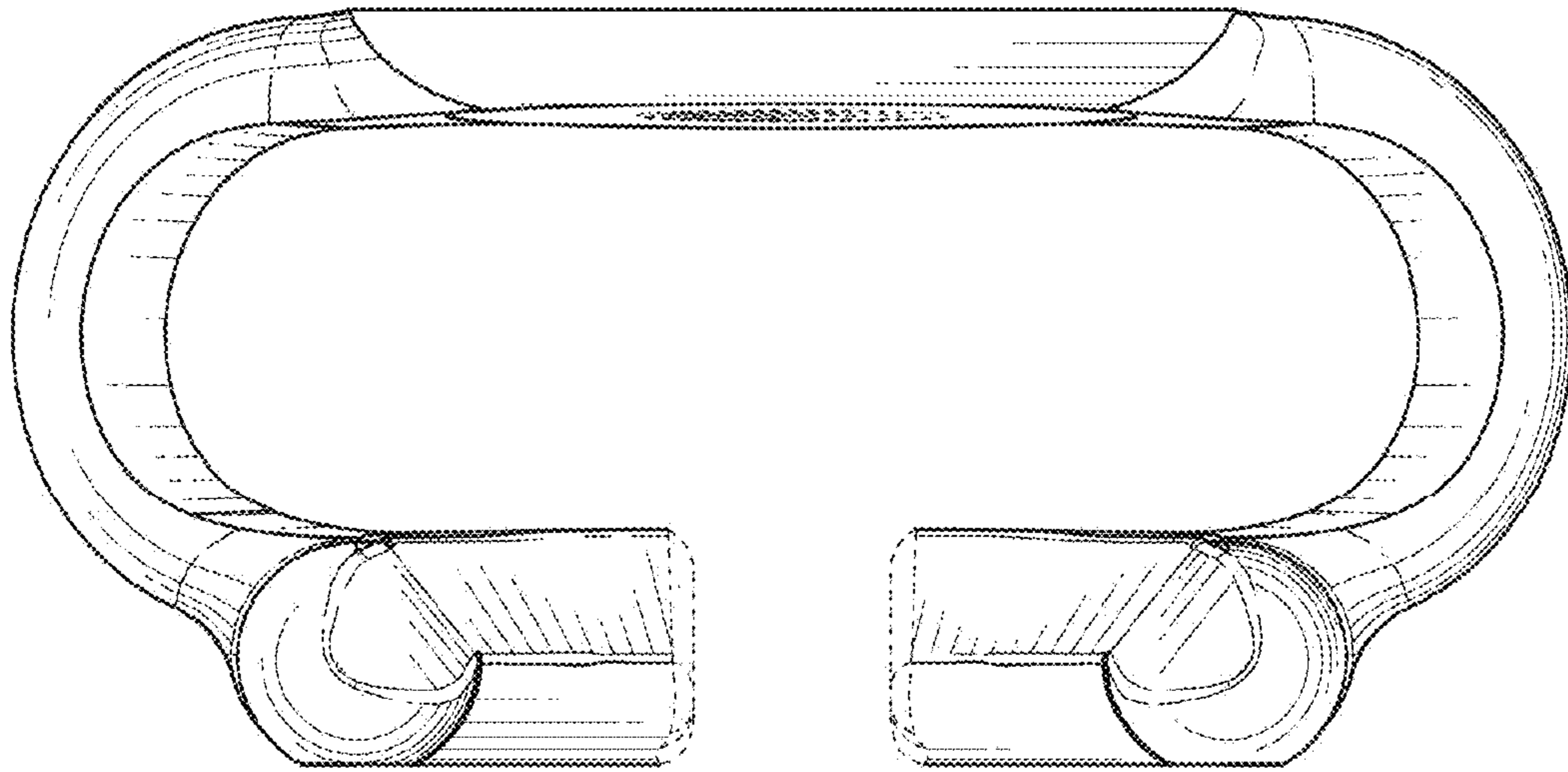


FIG. 9

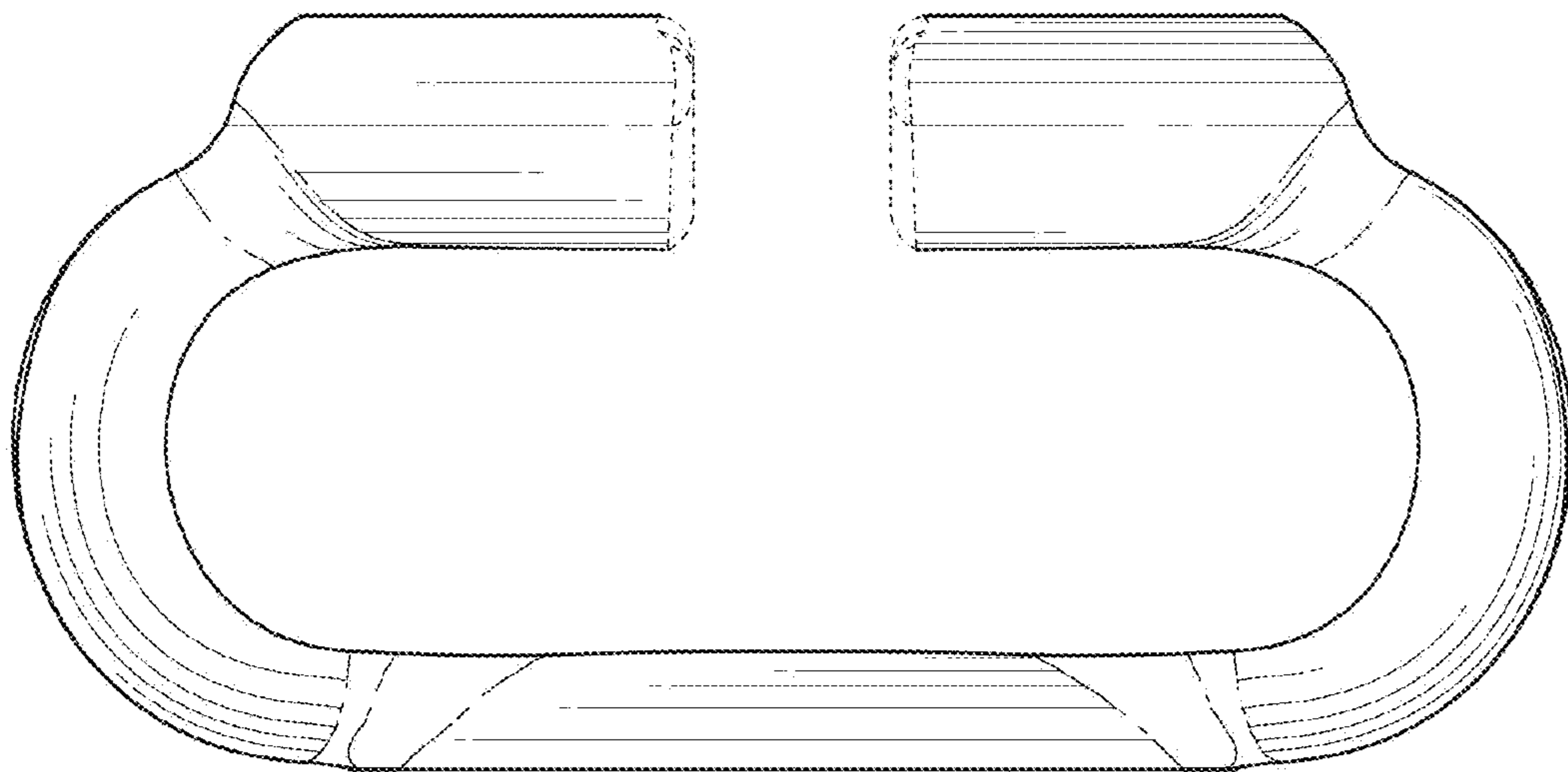


FIG. 10