



US00D979555S

(12) **United States Design Patent** (10) **Patent No.:** **US D979,555 S**
Chen et al. (45) **Date of Patent:** **** Feb. 28, 2023**

- (54) **MOUNT ACCESSORY BASE FOR VARIABLE-SIZE PHONE GRIPS**
- (71) Applicant: **POPSOCKETS LLC**, Boulder, CO (US)
- (72) Inventors: **Yinju Chen**, Boulder, CO (US); **James Ridzon**, Boulder, CO (US); **Nicholas Von Bargaen**, Boulder, CO (US); **Lawrence Herman Fong**, Boulder, CO (US); **Michael Kory**, Boulder, CO (US); **Randy Yang Chiang**, Boulder, CO (US)
- (73) Assignee: **POPSOCKETS LLC**, Boulder, CO (US)
- (**) Term: **15 Years**
- (21) Appl. No.: **29/756,913**
- (22) Filed: **Oct. 31, 2020**

Related U.S. Application Data

- (63) Continuation of application No. 29/751,262, filed on Sep. 18, 2020.
- (51) **LOC (14) Cl.** **14-99**
- (52) **U.S. Cl.**
USPC **D14/253**
- (58) **Field of Classification Search**
USPC D14/251–253, 224, 224.1, 432–434, 447, D14/451, 452; D12/114, 415, 426.1, 223, D12/406, 407; D16/242, 244, 245; D3/218; D13/108
CPC B60R 11/00; B60R 11/02; B60R 11/0241; B60R 11/0252; B60R 2011/0003; B60R 2011/0005; B60R 2011/0008; H04M 1/04; F16M 11/00; F16M 11/04; F16M 11/041; F16M 11/06; H05K 5/0204
See application file for complete search history.

- (56) **References Cited**
U.S. PATENT DOCUMENTS
D358,822 S * 5/1995 Rudkiewicz D14/142
D387,897 S * 12/1997 Yorke D3/215
D456,074 S * 4/2002 McCurry D24/128
6,484,918 B1 * 11/2002 Lefebvre A61B 7/02
224/678
D483,939 S * 12/2003 Kountz D3/215
D528,539 S * 9/2006 McClaude D3/218
D529,489 S * 10/2006 Sbordon, Jr. D3/218
D545,812 S * 7/2007 Grady D14/496
(Continued)

FOREIGN PATENT DOCUMENTS

- CN 305376766 * 10/2019
- Primary Examiner* — Rebekah A Caruso
- (74) *Attorney, Agent, or Firm* — Holland & Hart LLP

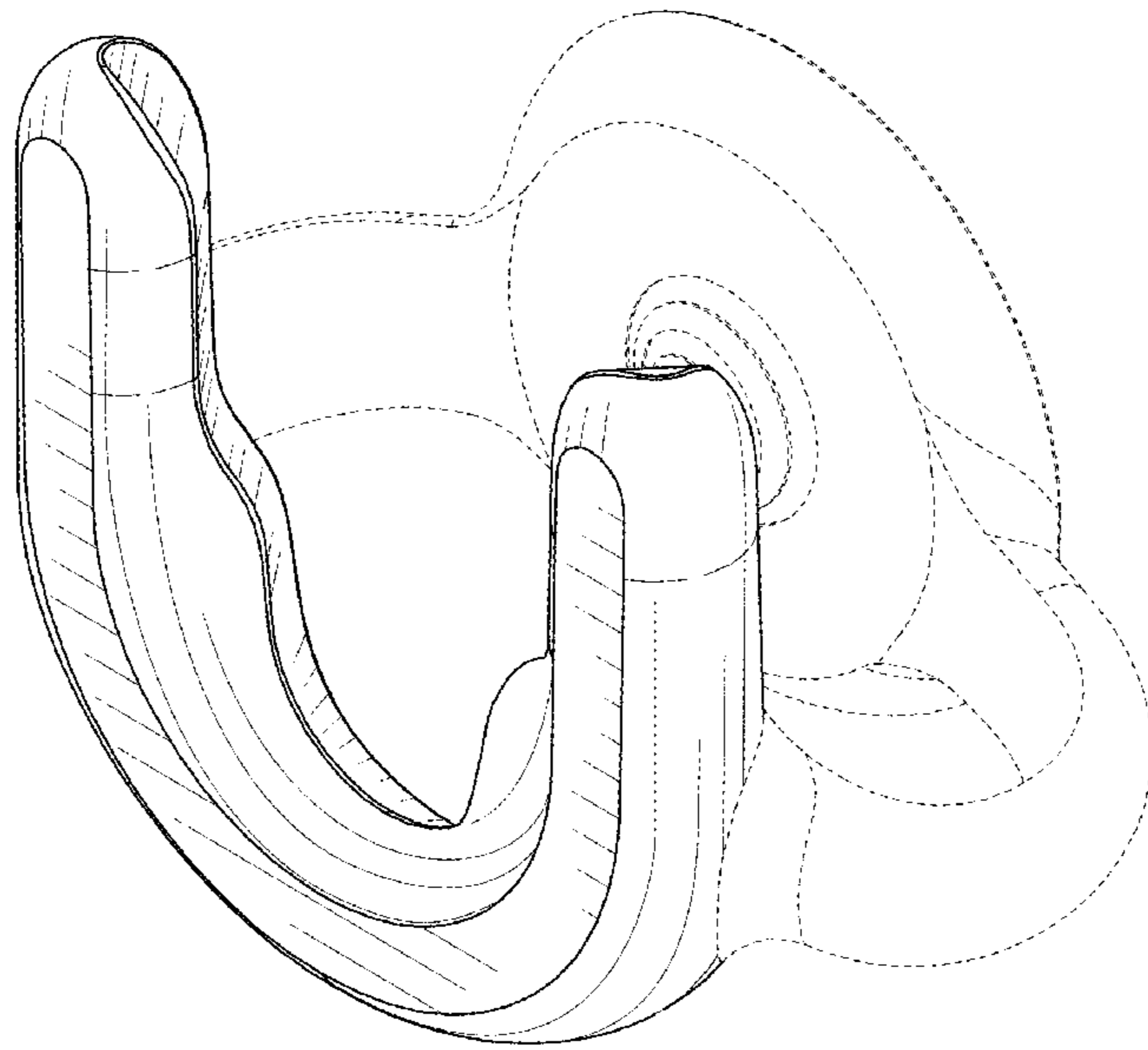
(57) **CLAIM**

The ornamental design for a mount accessory base for variable-size phone grips, as shown and described.

DESCRIPTION

FIG. 1 is a bottom perspective view of the mount accessory base for variable-size phone grips according to the present invention;
 FIG. 2 is another bottom perspective view thereof;
 FIG. 3 is a top perspective view thereof;
 FIG. 4 is another top perspective view thereof;
 FIG. 5 is a bottom view thereof;
 FIG. 6 is a top view thereof;
 FIG. 7 is a right side view thereof;
 FIG. 8 is a left side view thereof;
 FIG. 9 is a front view thereof; and,
 FIG. 10 is a rear view thereof.
 The broken lines are included for the purpose of illustrating environment and form no part of the claimed design.

1 Claim, 9 Drawing Sheets



(56)

References Cited

U.S. PATENT DOCUMENTS

D570,100 S * 6/2008 Chen D3/218
D600,006 S * 9/2009 Lau D3/229
D603,249 S * 11/2009 Richter D8/380
D648,918 S 11/2011 Gledhill
D710,363 S * 8/2014 Wengreen D8/380
D776,916 S * 1/2017 Yeruva D3/218
D777,022 S * 1/2017 Barnett D8/394
D807,635 S * 1/2018 Clover D3/218
D808,641 S * 1/2018 Clover D3/218
D907,626 S * 1/2021 Barnett D14/253
11,303,743 B2 * 4/2022 Chen H04M 1/04
D950,633 S * 5/2022 Esses D16/242
2011/0062203 A1 * 3/2011 Weger A45F 5/02
224/191
2021/0178862 A1 * 6/2021 Alves B60R 11/02
2021/0289064 A1 * 9/2021 Chen G06F 1/1607

* cited by examiner

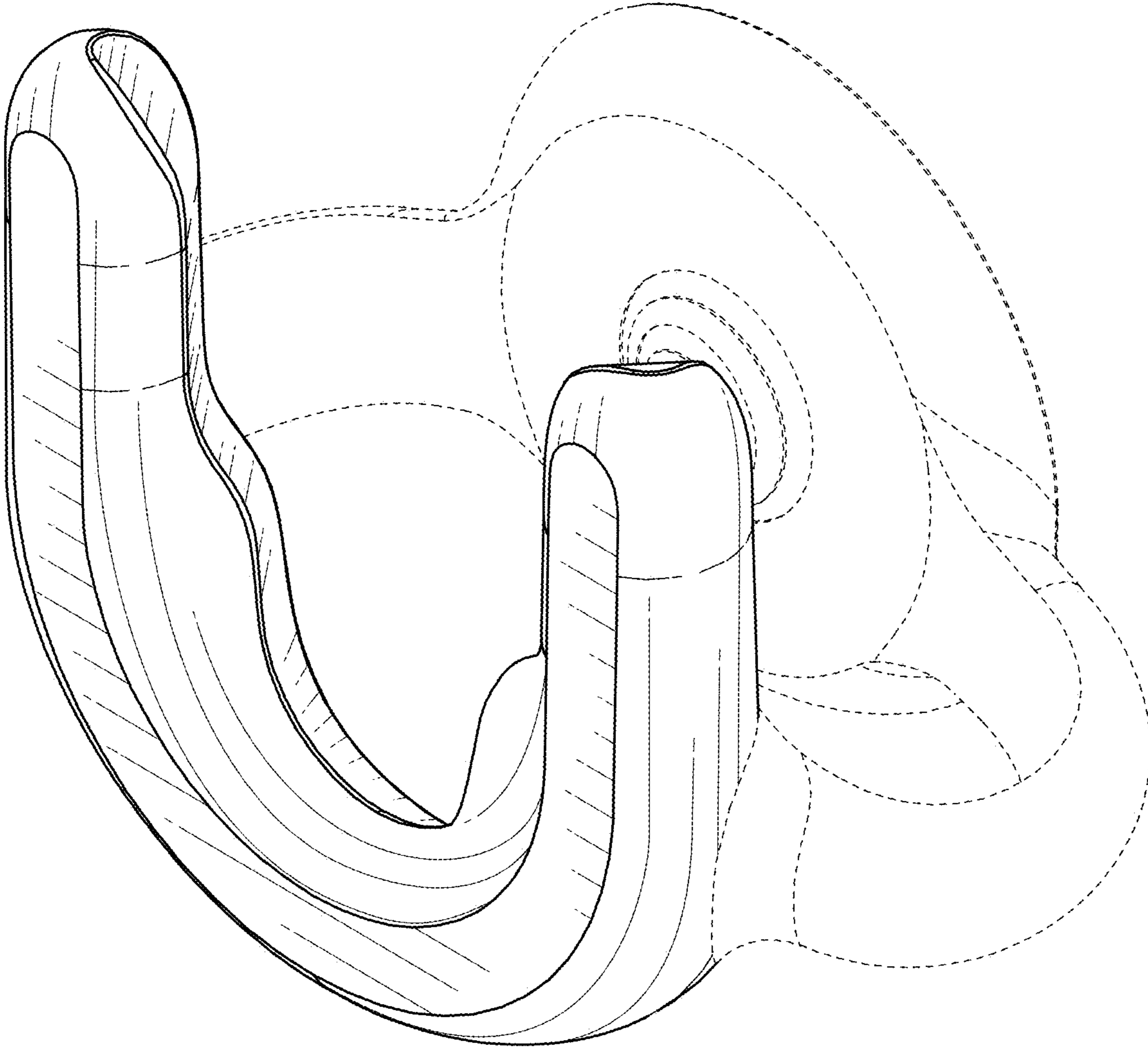


FIG. 1

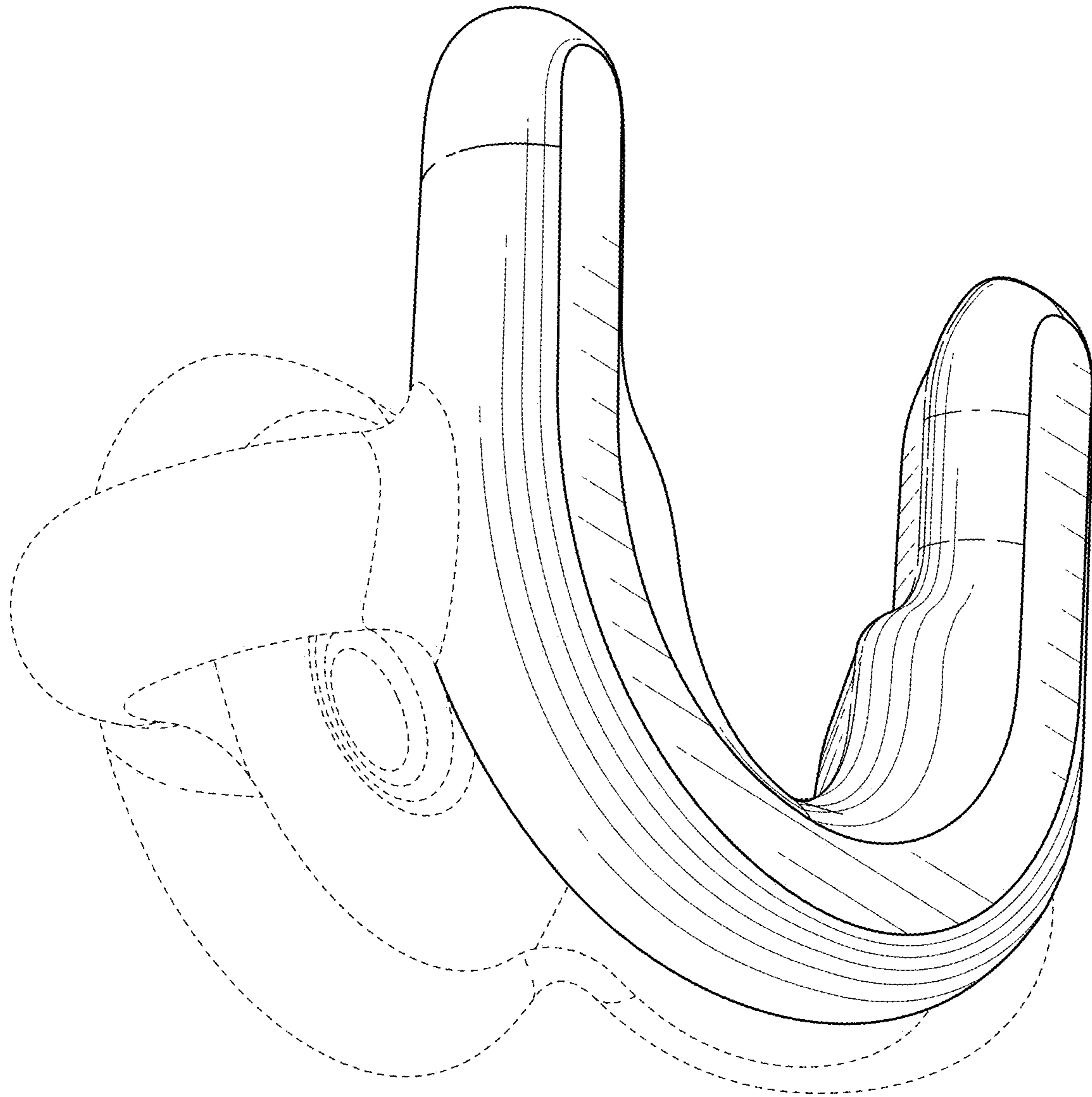


FIG. 2

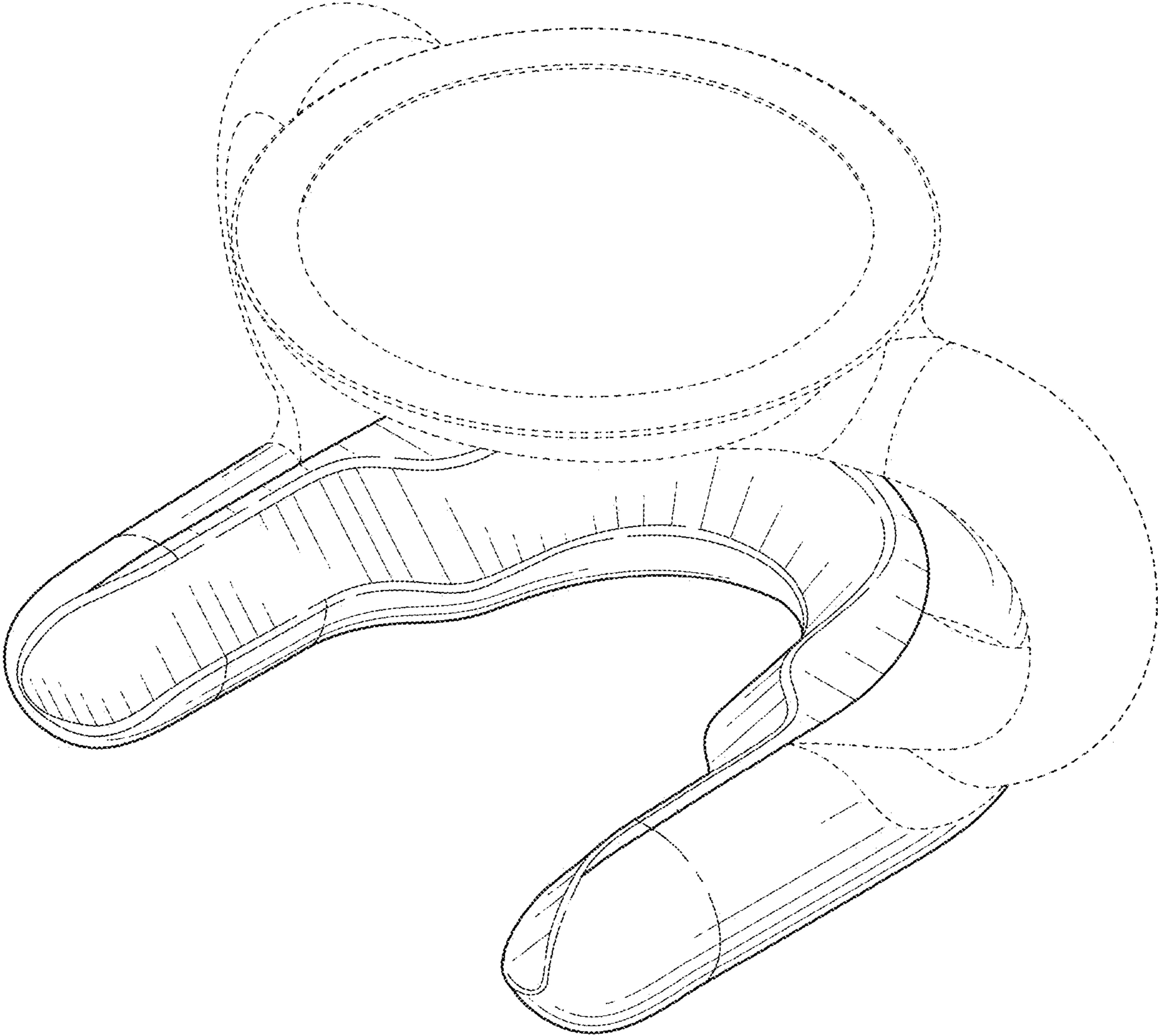


FIG. 3

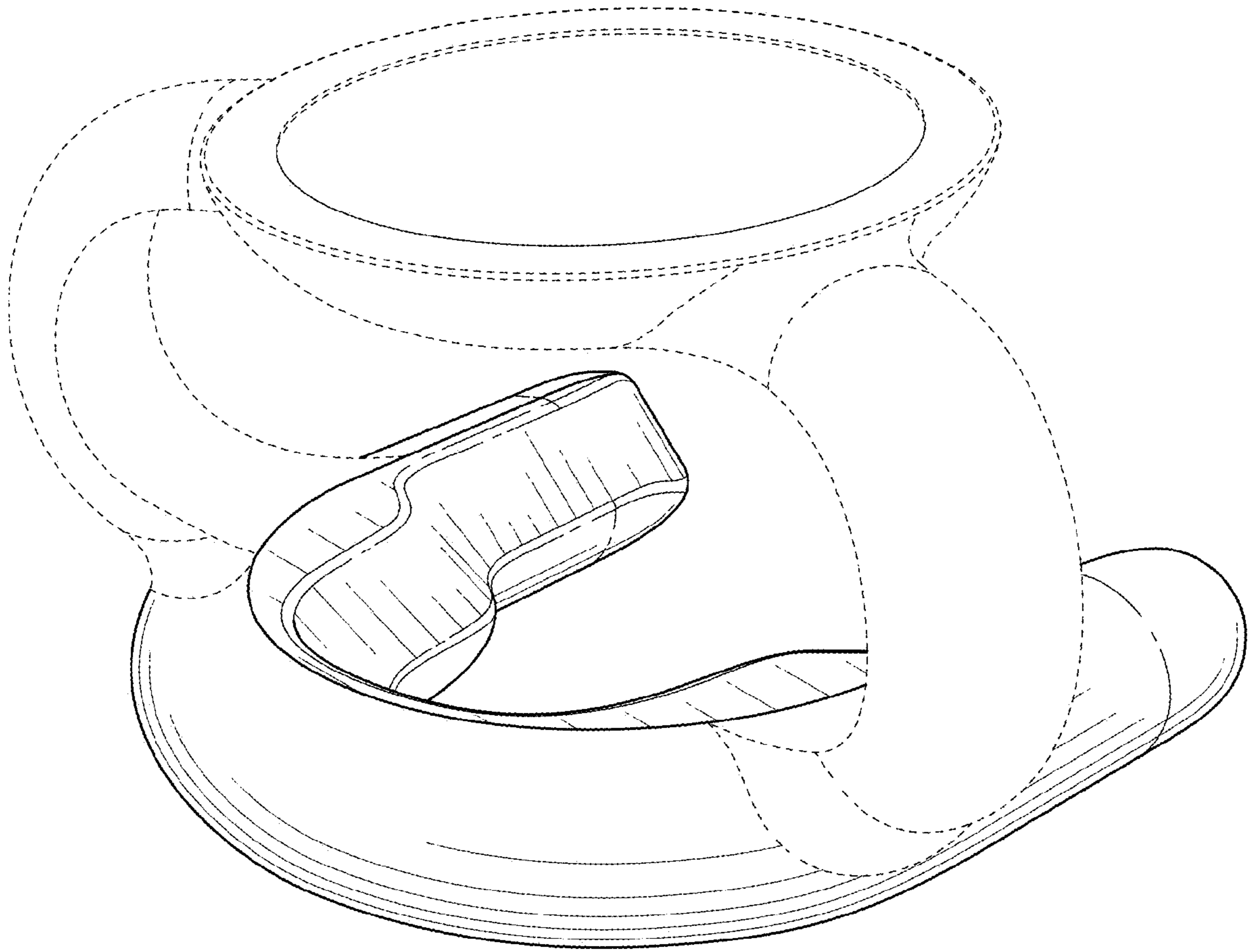


FIG. 4

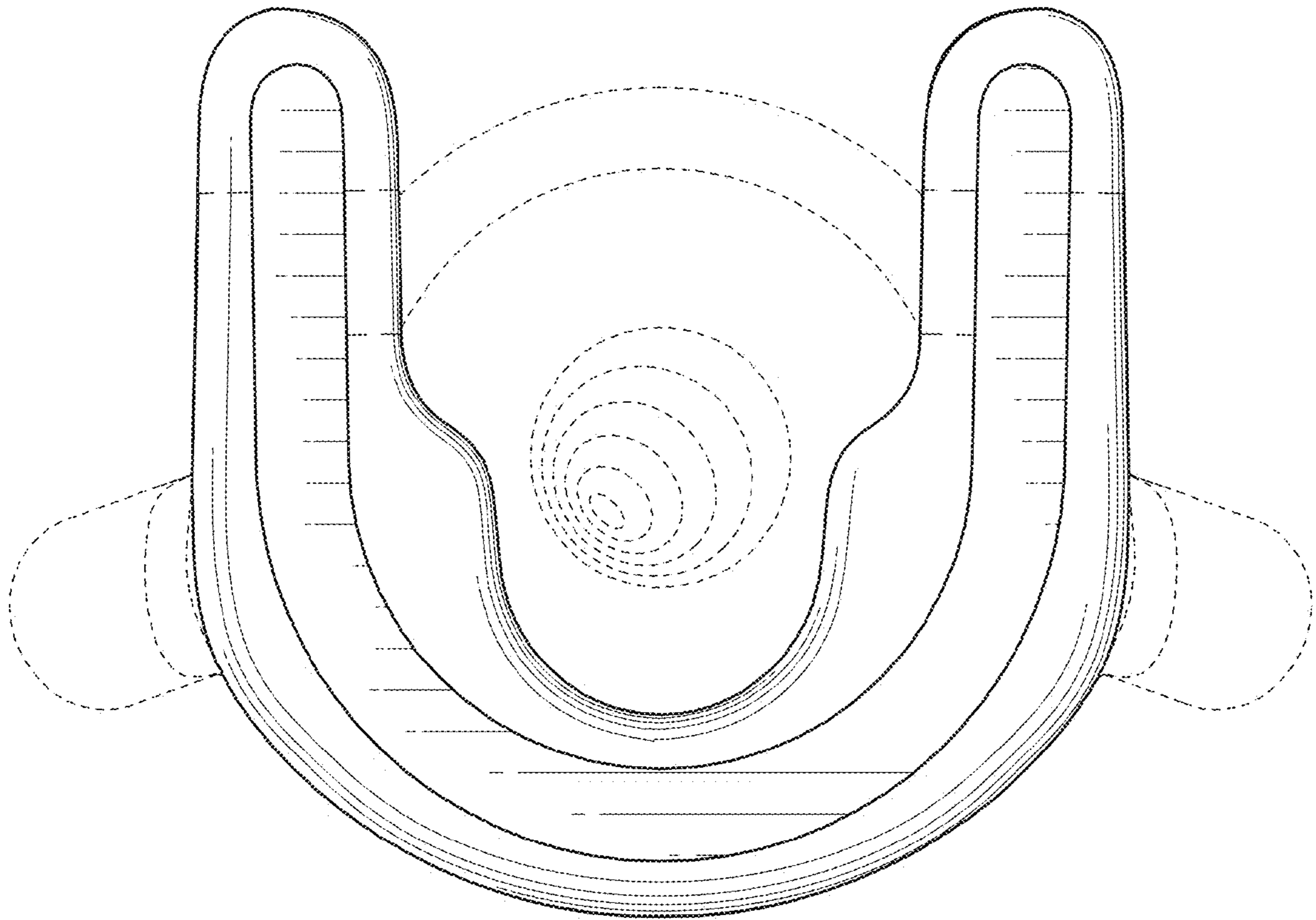


FIG. 5

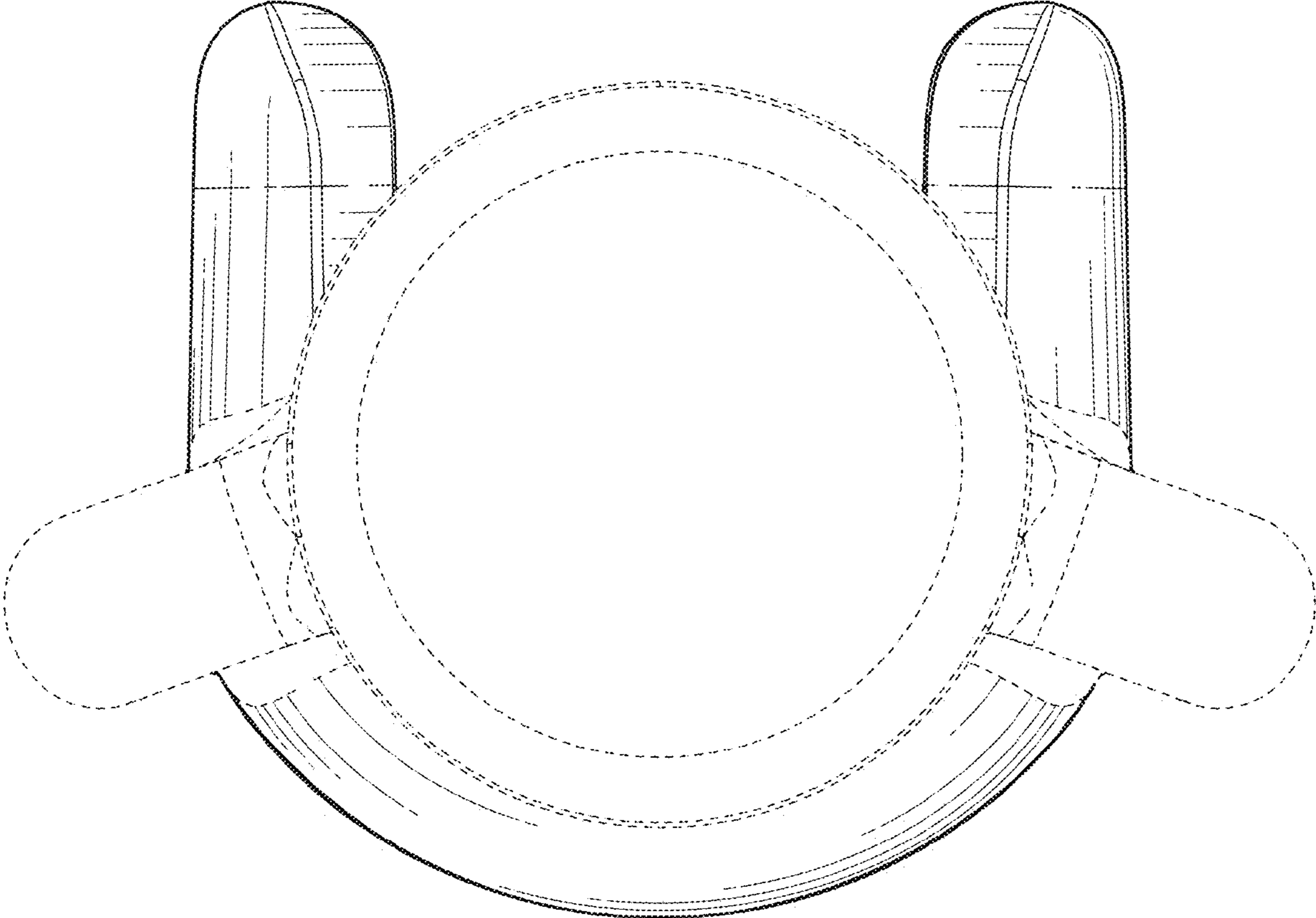


FIG. 6

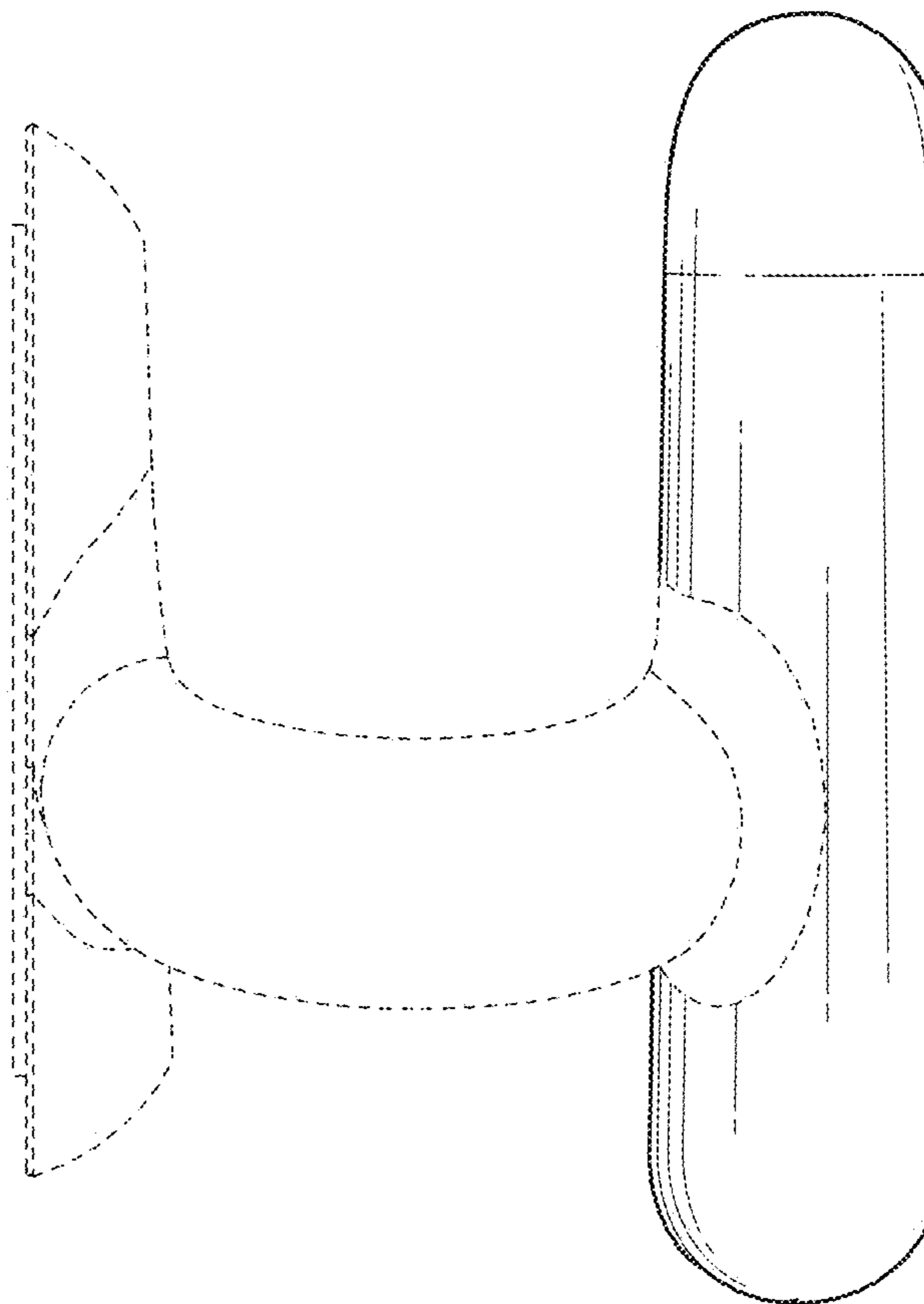


FIG. 7

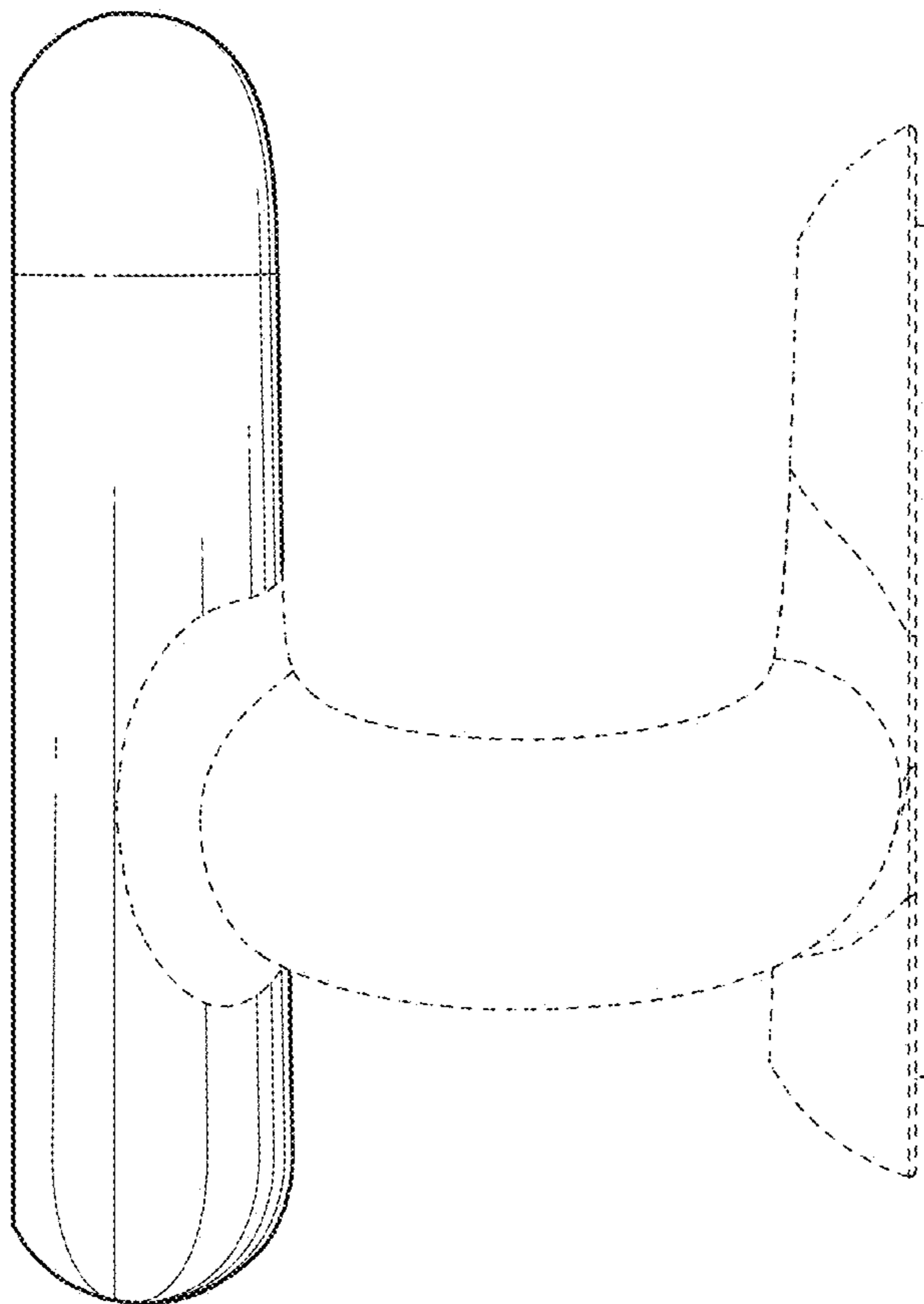


FIG. 8

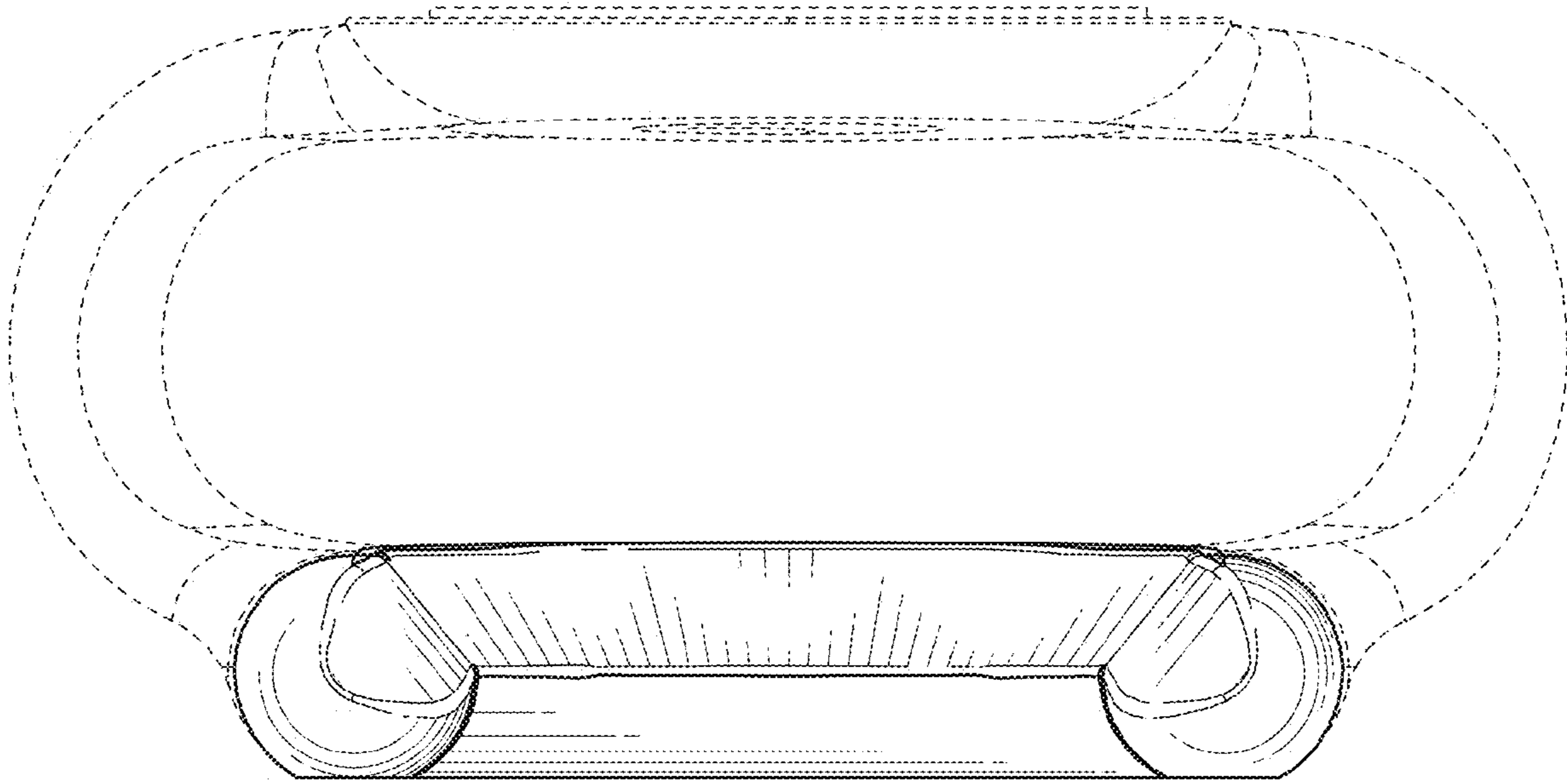


FIG. 9

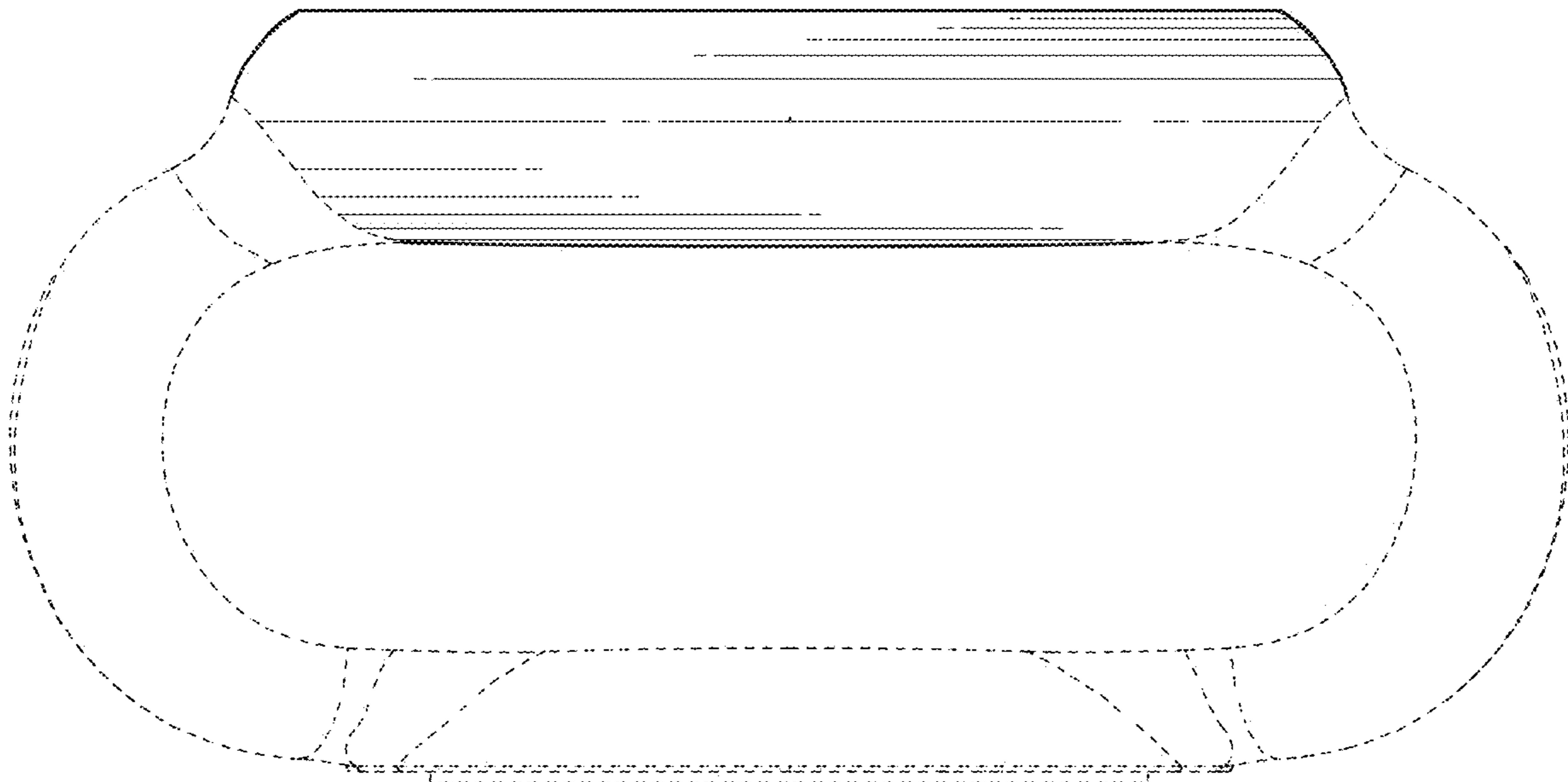


FIG. 10