



US00D979554S

(12) **United States Design Patent** (10) **Patent No.:** **US D979,554 S**  
**Barvesten et al.** (45) **Date of Patent:** **\*\* Feb. 28, 2023**

(54) **ELECTRONIC DEVICE MOUNT**  
(71) Applicant: **Spotify AB**, Stockholm (SE)  
(72) Inventors: **Mats Olof Barvesten**, Karlskrona (SE);  
**Tobias Christopher Tilman Berneth**,  
Stockholm (SE); **Anders Erik**  
**Arnqvist**, Nynäshamn (SE)

D623,629 S 9/2010 Lau  
D630,620 S 6/2011 Lee et al.  
D643,399 S 8/2011 Clemons et al.  
D644,200 S 8/2011 Bolton  
D664,125 S 7/2012 Koch et al.  
D674,775 S 1/2013 Bolton  
D745,856 S 12/2015 Lopez  
D865,750 S \* 11/2019 Richter ..... D12/415  
D865,751 S \* 11/2019 Richter ..... D12/415  
(Continued)

(73) Assignee: **Spotify AB**, Stockholm (SE)

**FOREIGN PATENT DOCUMENTS**

(\*\*) Term: **15 Years**

CN 306746332 \* 8/2021  
EM 000007901-0001 4/2003

(21) Appl. No.: **29/743,921**

(Continued)

(22) Filed: **Jul. 24, 2020**

**OTHER PUBLICATIONS**

(51) **LOC (14) Cl.** ..... **14-99**

(52) **U.S. Cl.**  
USPC ..... **D14/253**; D12/415

“Cleanskin universal magnetic holder small mount”, Officeworks, accessed Jan. 19, 2018. Available at: <https://www.officeworks.com.au/shop/officeworks/p/cleanskin-universal-magnetic-holder-small-mount-csmsul999b>.

(Continued)

(58) **Field of Classification Search**  
USPC .... D14/251–253, 224, 224.1, 432–434, 447,  
D14/451, 452; D12/114, 415, 426.1, 223,  
D12/406, 407; D16/242, 244, 245;  
D3/218; D13/108

*Primary Examiner* — Rebekah A Caruso  
(74) *Attorney, Agent, or Firm* — Merchant & Gould P.C.

CPC ..... B60R 11/00; B60R 11/02; B60R 11/0241;  
B60R 11/0252; B60R 2011/0003; B60R  
2011/0005; B60R 2011/0008; H04M  
1/04; F16M 11/00; F16M 11/04; F16M  
11/041; F16M 11/06; H05K 5/0204

(57) **CLAIM**

The ornamental design for an electronic device mount, as shown and described.

See application file for complete search history.

**DESCRIPTION**

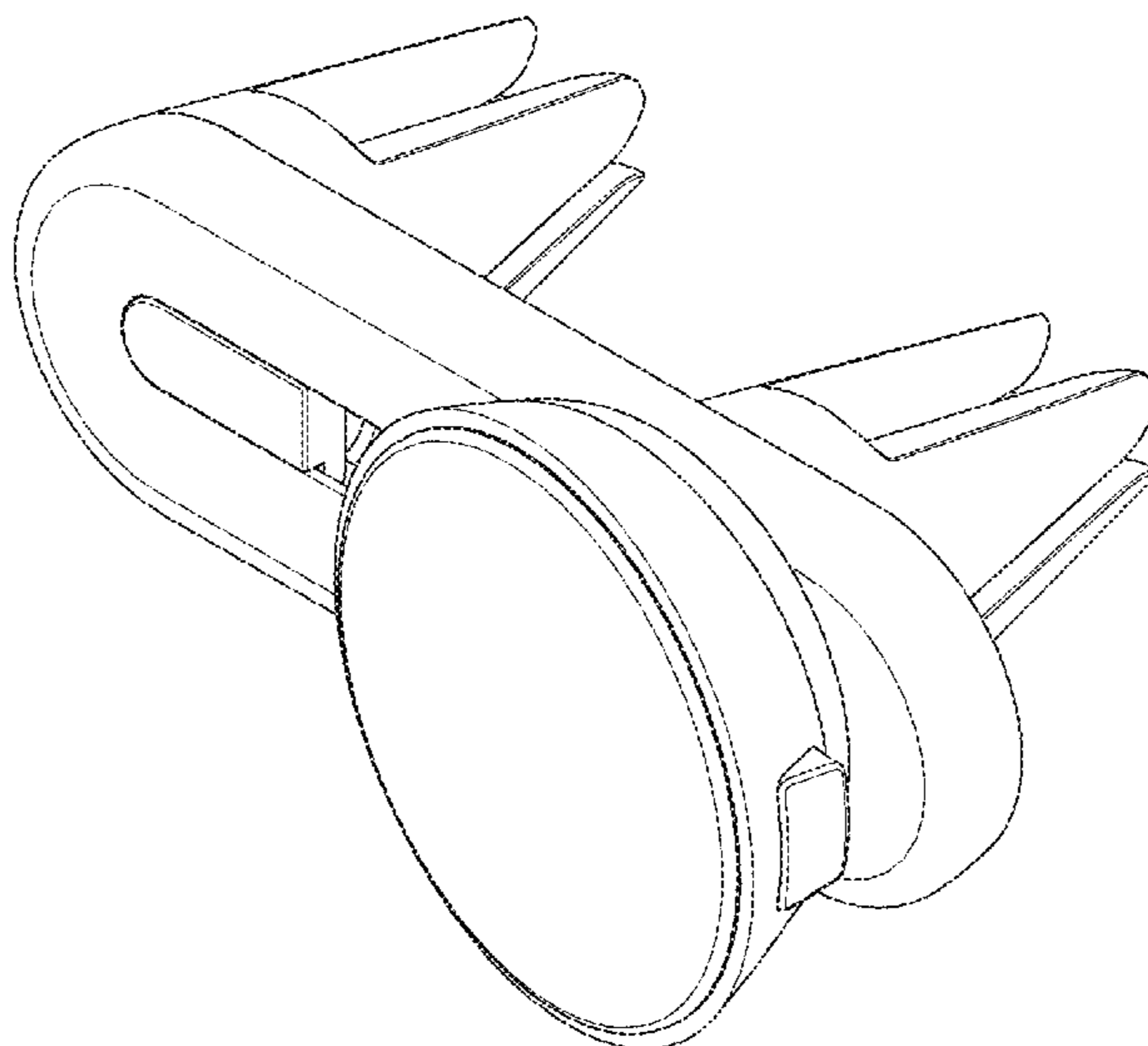
(56) **References Cited**

**U.S. PATENT DOCUMENTS**

D479,712 S 9/2003 Ng  
D490,068 S 5/2004 Chen  
D512,049 S 11/2005 Yang  
D524,292 S 7/2006 Tyneski et al.  
D525,612 S 7/2006 Densho  
D582,392 S 12/2008 Pauschitz et al.  
D603,378 S 11/2009 Paradise  
D609,698 S 2/2010 Ng  
D620,926 S 8/2010 Wai

FIG. 1 is a front isometric view of an electronic device mount according to the present disclosure;  
FIG. 2 is a front view thereof;  
FIG. 3 is a rear view thereof;  
FIG. 4 is a left side view thereof;  
FIG. 5 is a right side view thereof;  
FIG. 6 is a top view thereof; and,  
FIG. 7 is a bottom view thereof.

**1 Claim, 7 Drawing Sheets**



(56)

References Cited

U.S. PATENT DOCUMENTS

D892,786 S *	8/2020	McSweyn	.....	D14/253
D915,390 S *	4/2021	Lim	.....	D14/447
D928,764 S *	8/2021	Yeo	.....	D14/251
D929,985 S *	9/2021	Yeo	.....	D14/251
D948,597 S *	4/2022	Grant	.....	D16/242
D957,384 S *	7/2022	Guo	.....	D14/253
D960,163 S *	8/2022	Wright	.....	D14/432
2007/0108788 A1	5/2007	Shalam et al.		
2010/0138581 A1	6/2010	Bird et al.		
2013/0346661 A1	12/2013	Hasenei		
2015/0237750 A1	8/2015	Yang		
2019/0342358 A1*	11/2019	Barvesten	.....	G06F 3/0481
2022/0242332 A1*	8/2022	Barvesten	.....	B60R 11/02
2022/0250553 A1*	8/2022	Barvesten	.....	B60R 11/02

FOREIGN PATENT DOCUMENTS

EM	000120464-0001	12/2003
EM	000309992-0001	3/2005
EM	001090237-0001	2/2009
EM	001094775-0001	2/2009
EM	001513623-0001	5/2009

EM	001148290-0001	6/2009
EM	001148290-0002	6/2009
EM	001155840-0001	7/2009
EM	001624891-0001	10/2009
EM	001185235-0003	12/2009
EM	001186126-0001	12/2009
EM	002604926-0001	12/2014
EP	2019351 A2	1/2009
WO	D081576-0001	11/2012
WO	D086478-0008	10/2014
WO	D089534-0002	1/2016
WO	D093125-0005	6/2016
WO	D095082-0001	3/2017
WO	D213268-002	* 9/2021

OTHER PUBLICATIONS

“Air Vent Car Mount Cell Phone Holder, Jepsens CA02 Magnetic Air Vent Car Mount, Portable Universal Car GPS Smartphone Holder Mount, Apple iPhone 6 / 6 PLUS (5.5”), 3 Metal Plates & Protection Film”, Jepsens, accessed Jan. 19, 2018. Available at: <https://www.amazon.com/JEBSENS-CA02-Universal-Smartphone-Protection/dp/B0144AX6WK>.

\* cited by examiner

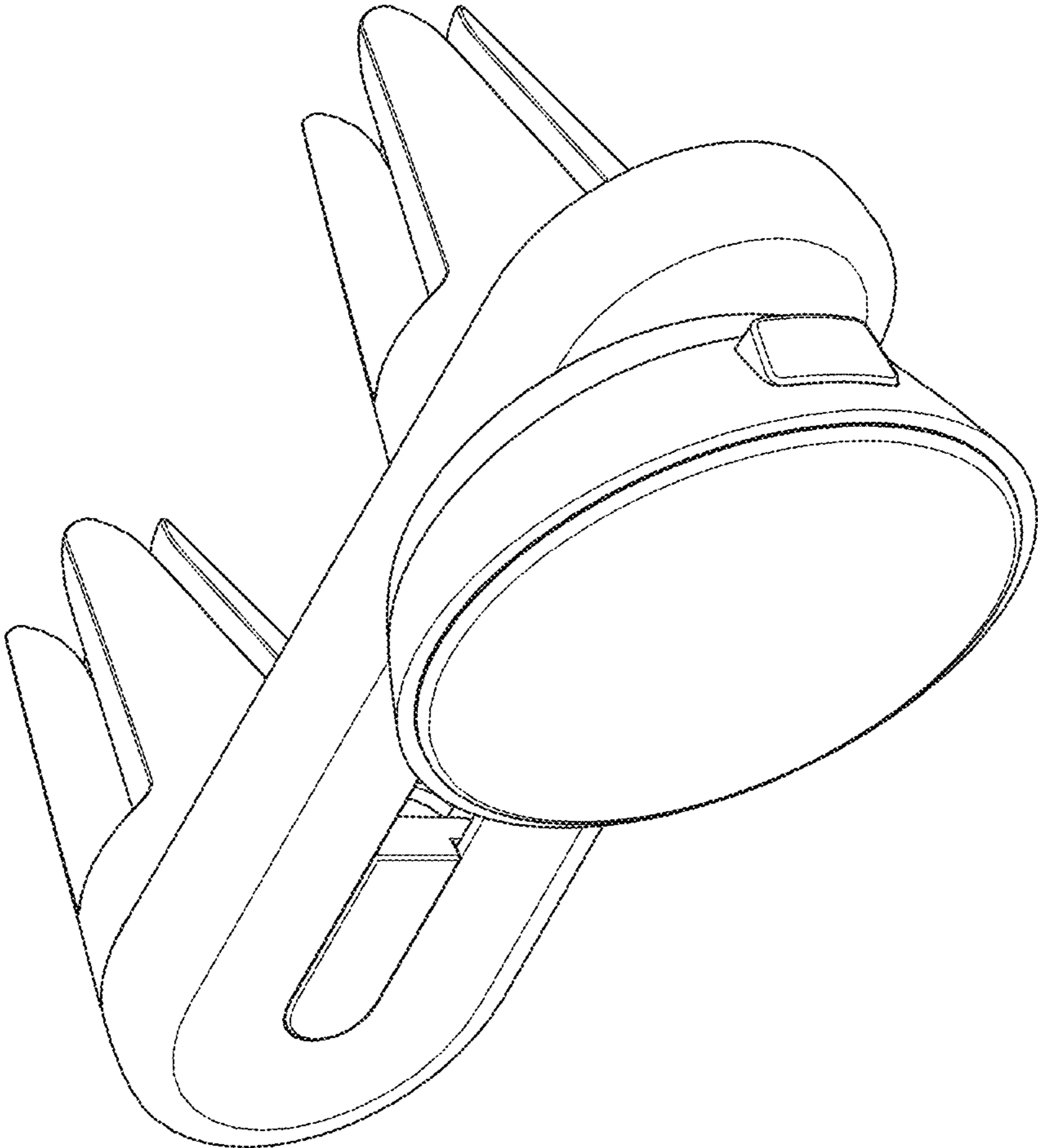


FIG. 1

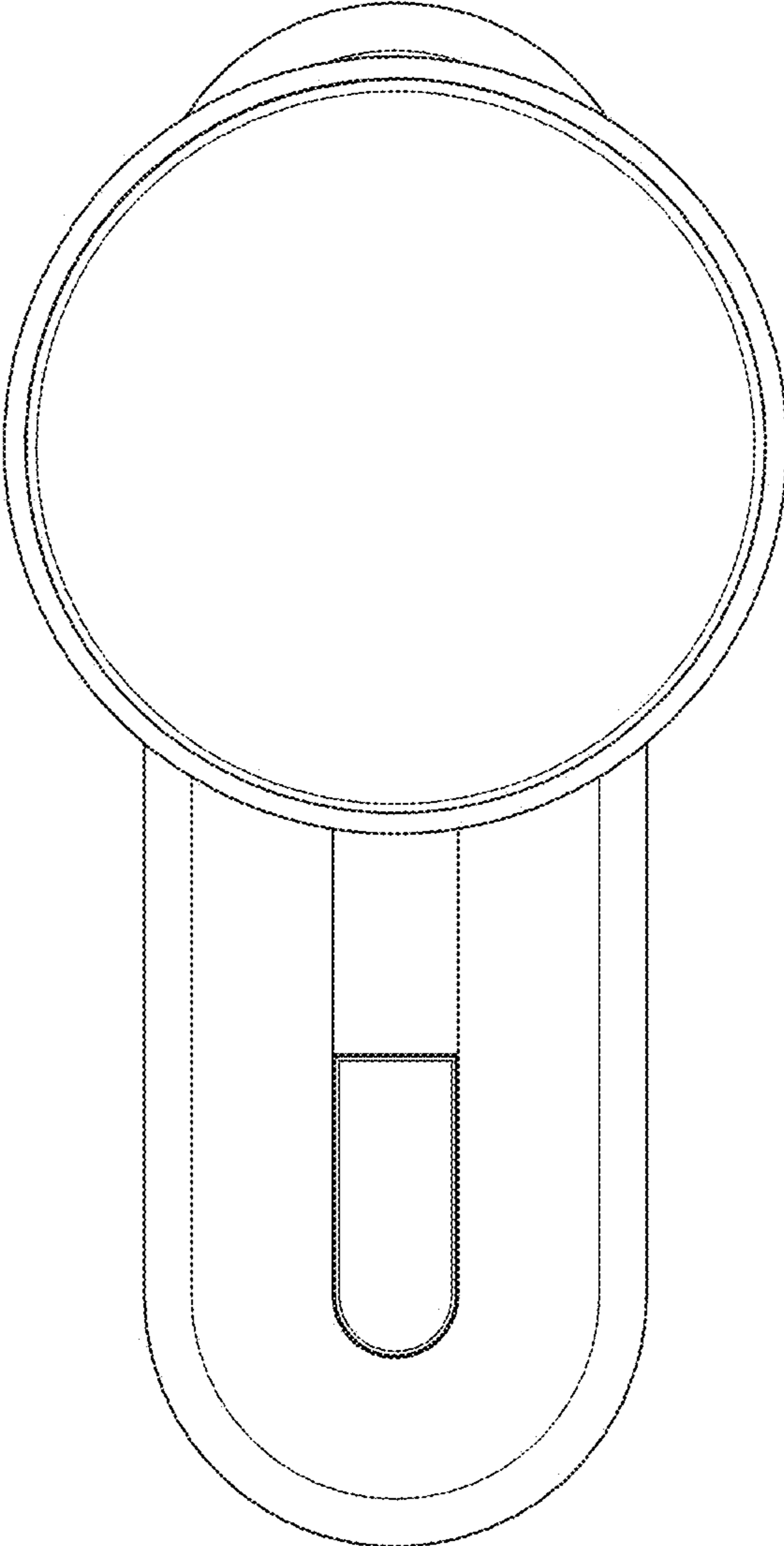


FIG. 2

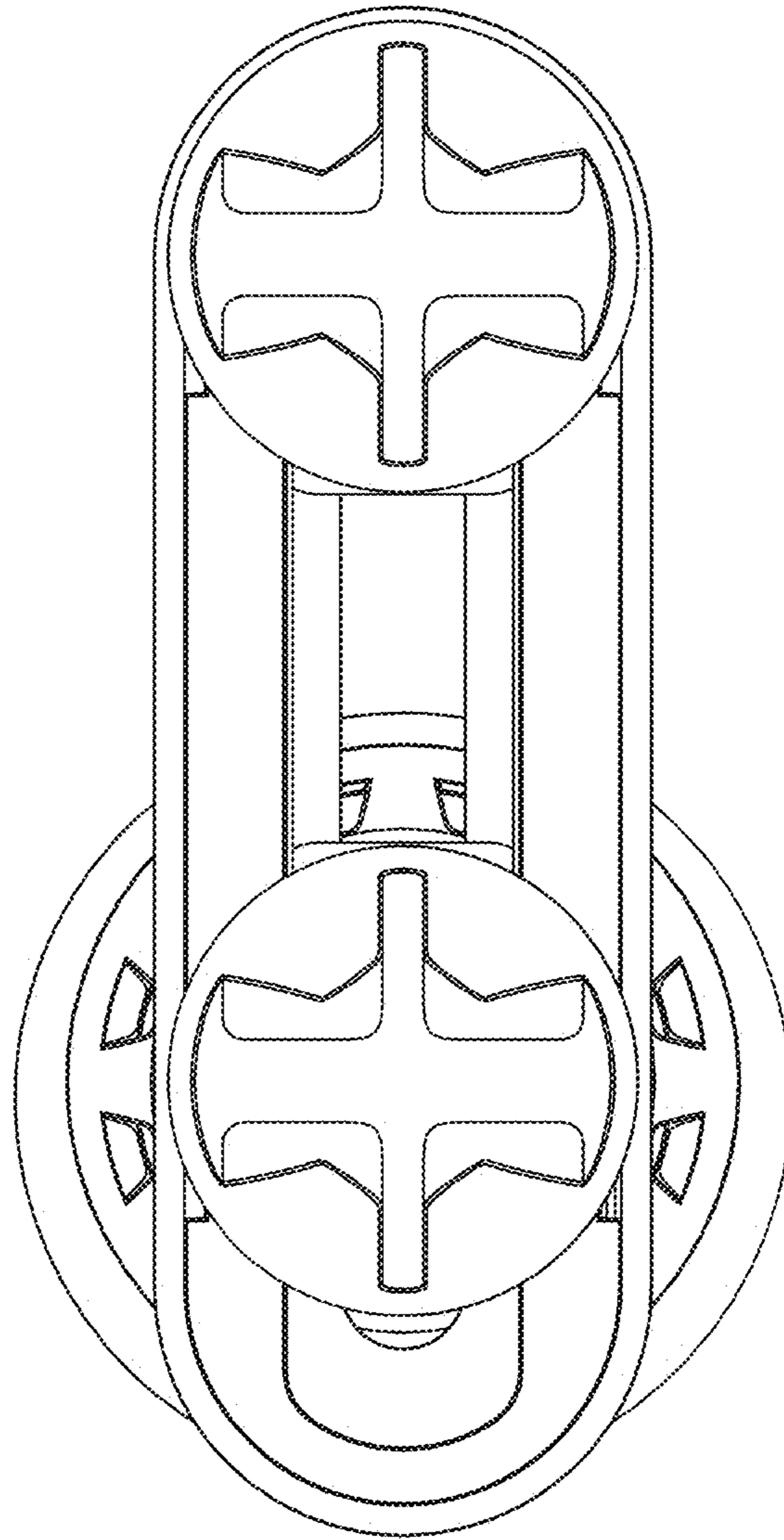


FIG. 3

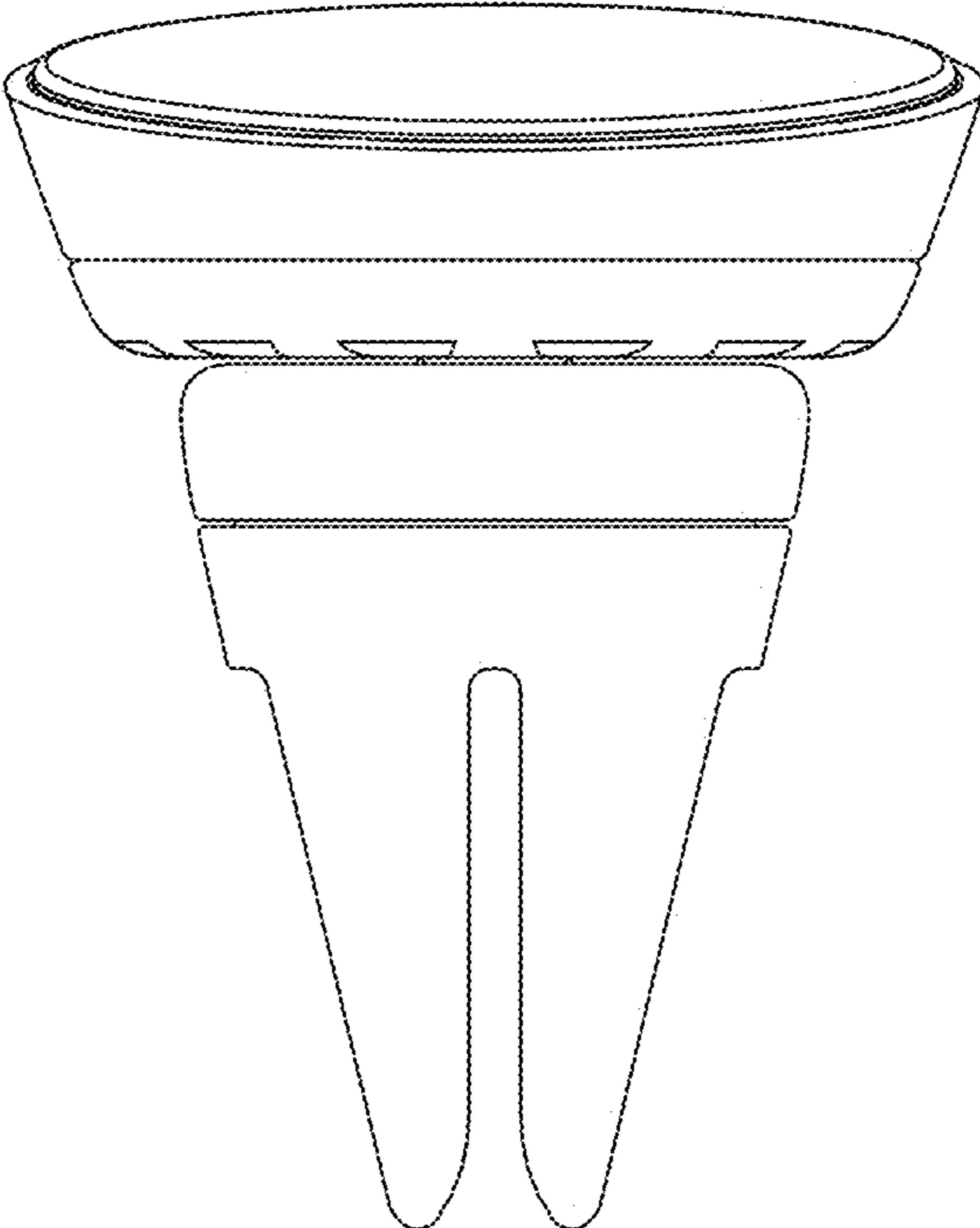


FIG. 4

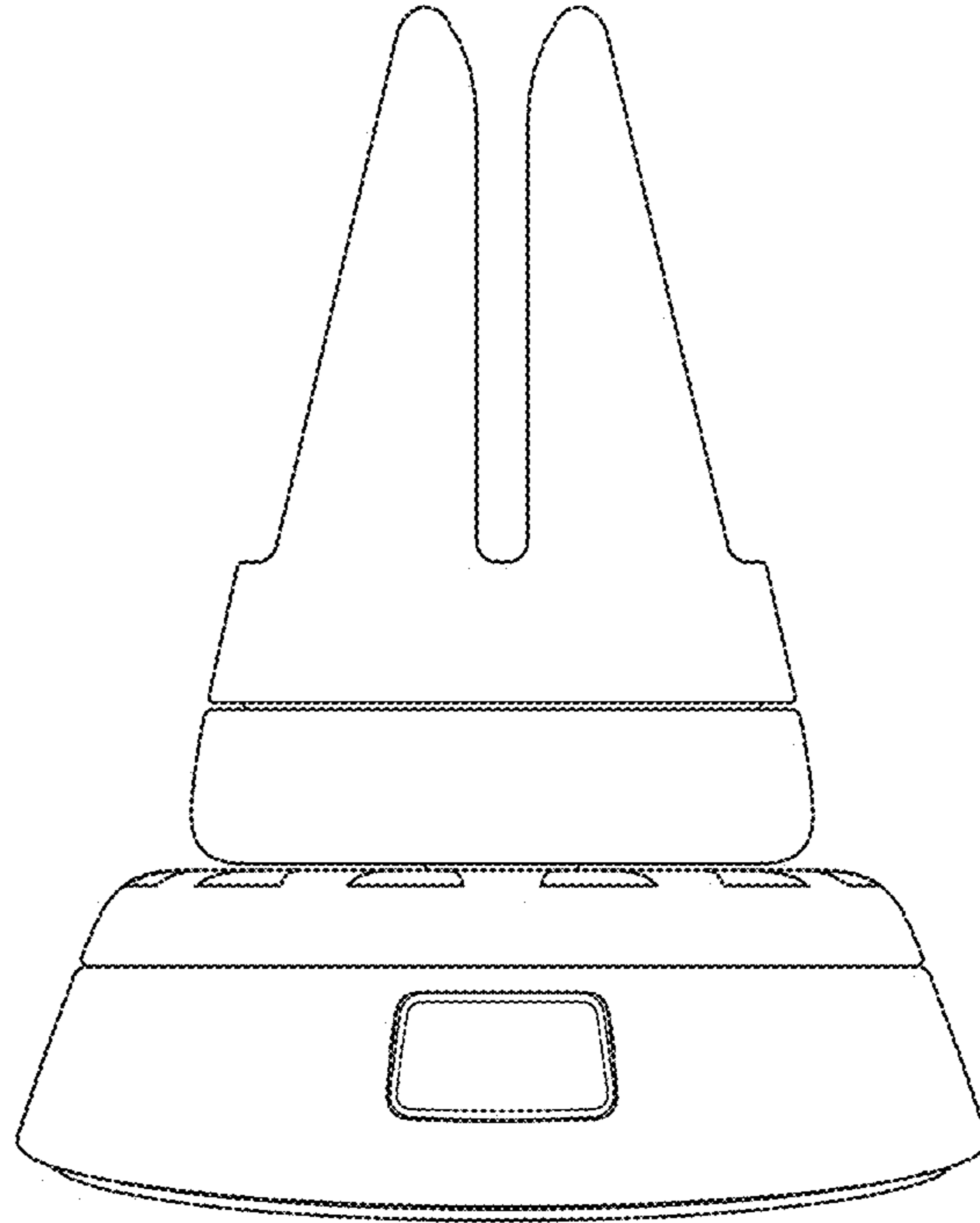


FIG. 5

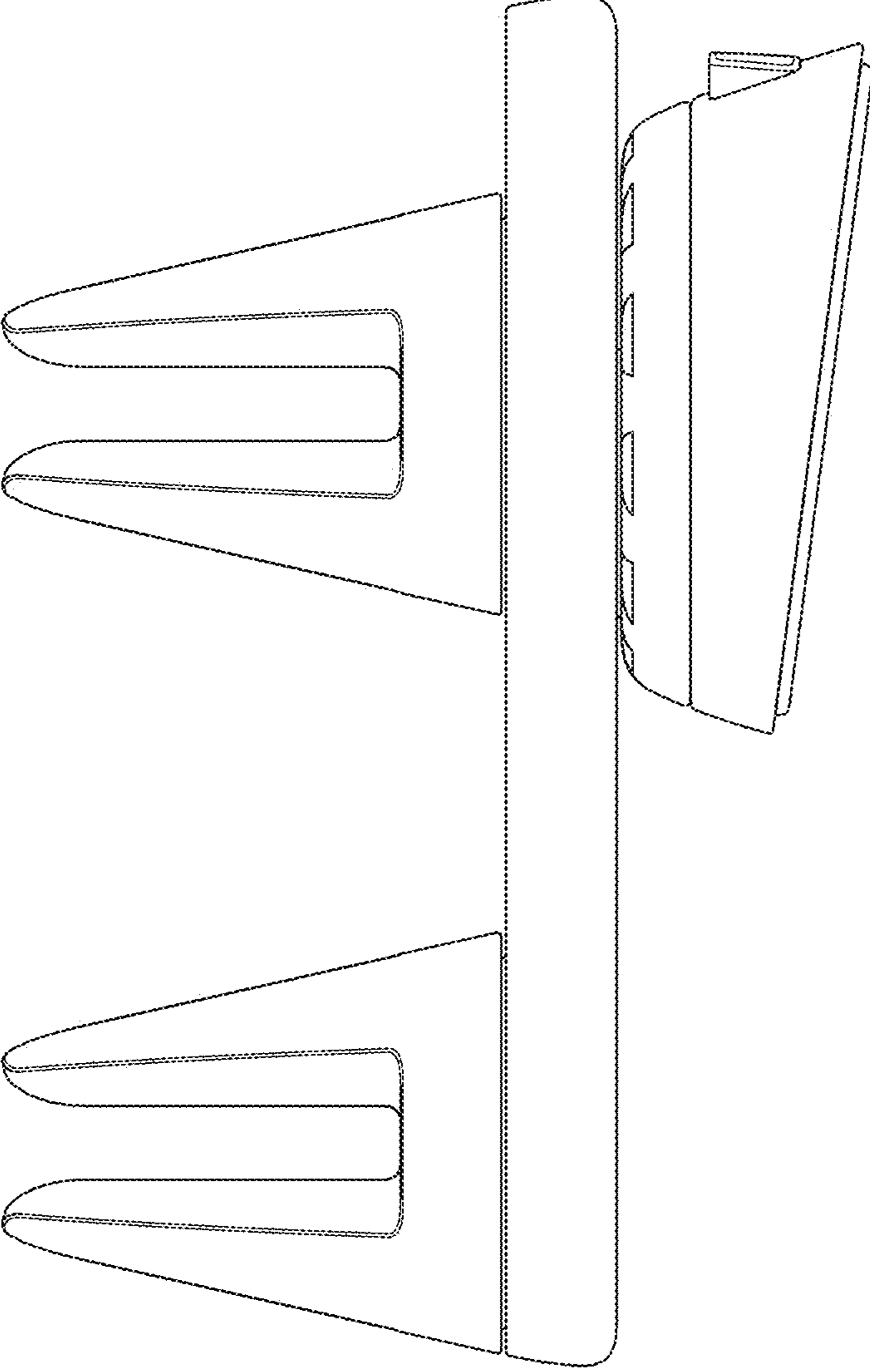


FIG. 6



FIG. 7

