

US00D979551S

(12) **United States Design Patent**  
**Hill et al.**

(10) **Patent No.:** **US D979,551 S**

(45) **Date of Patent:** **\*\* Feb. 28, 2023**

(54) **SMARTPHONE CASE WITH FLIP-OUT SOLAR PANEL**

9,049,283 B1 \* 6/2015 Kim ..... H04M 1/21  
D748,574 S \* 2/2016 Anderson ..... D13/102  
9,503,148 B2 \* 11/2016 Meyer ..... H04B 1/3888

(Continued)

(71) Applicant: **JW Deux Ventures, LLC**, Waterford, CT (US)

(72) Inventors: **Josh Hill**, Waterford, CT (US); **John Williams**, Waterford, CT (US)

(73) Assignee: **JW Deux, LLC**, Waterford, CT (US)

(\*\*) Term: **15 Years**

(21) Appl. No.: **29/850,247**

(22) Filed: **Aug. 18, 2022**

(51) **LOC (14) Cl.** ..... **14-03**

(52) **U.S. Cl.**  
USPC ..... **D14/252**; D13/102; D13/103

(58) **Field of Classification Search**  
USPC ..... D3/201, 218, 247, 249, 269; D13/107, D13/108, 118, 119, 102, 103; D14/217, D14/248, 250–253, 432, 440  
CPC ..... H04B 1/3888; H04M 1/0283; H04M 1/0202; A45F 2005/028; A45F 2200/0525  
See application file for complete search history.

(56) **References Cited**

**U.S. PATENT DOCUMENTS**

D194,351 S *	1/1963	Fleishman	.....	D3/270
6,084,379 A *	7/2000	Buniatyan	.....	H02J 7/35 320/101
D644,168 S *	8/2011	Bishay	.....	D13/102
8,245,843 B1 *	8/2012	Wu	.....	H01M 10/465 206/320
D667,783 S *	9/2012	Zhang	.....	D13/102
8,441,227 B2 *	5/2013	Choi	.....	H04M 1/0262 320/101
D688,249 S *	8/2013	Wharram	.....	D14/440
D695,731 S *	12/2013	Adami	.....	D14/250
D724,012 S *	3/2015	Zhan	.....	D13/102

**OTHER PUBLICATIONS**

Enerplex—This iPhone case has a solar panel so it can charge your phone, publicaiton date Oct. 7, 2013, [online] URL: <https://grist.org/business-technology/this-iphone-case-has-a-solar-panel-so-it-can-charge-your-phone/> (Year: 2013).\*

(Continued)

*Primary Examiner* — L. A. Grabenstetter

(74) *Attorney, Agent, or Firm* — Mehrman Law Office; Michael J. Mehrman

(57) **CLAIM**

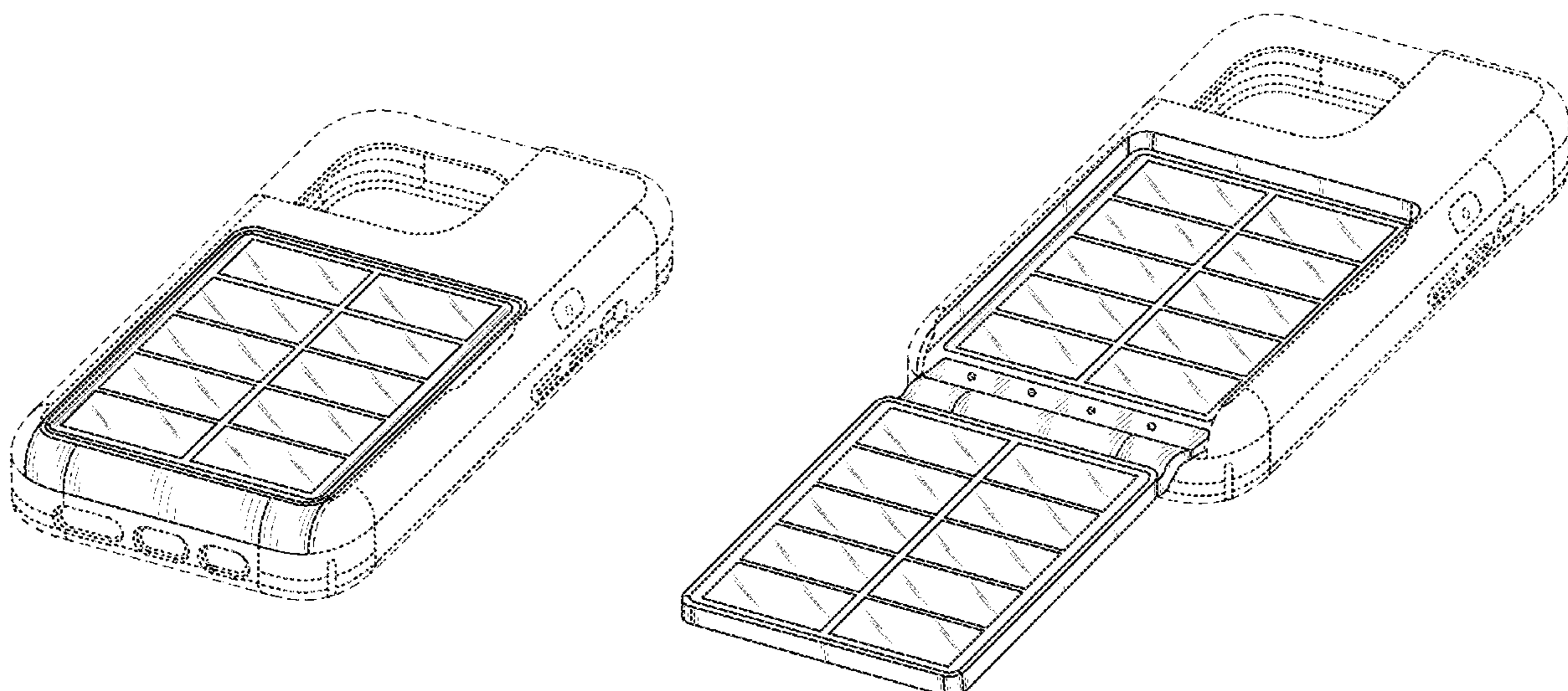
The ornamental design for a smartphone case with flip-out solar panel, as shown and described.

**DESCRIPTION**

FIG. 1 is a perspective view of a smartphone case with flip-out solar panel showing the new design in the closed position;  
FIG. 2 perspective view thereof in the open position;  
FIG. 3 is a rear view thereof in the closed position;  
FIG. 4 is a rear view thereof in the open position;  
FIG. 5 is a front view thereof in the closed position;  
FIG. 6 is a front view thereof in the open position;  
FIG. 7 is a right view thereof in the closed position;  
FIG. 8 is a right view thereof in the open position;  
FIG. 9 is a left view thereof in the closed position;  
FIG. 10 is a left view thereof in the open position;  
FIG. 11 is a bottom view thereof in the closed position;  
FIG. 12 is a bottom view thereof in the closed position; and,  
FIG. 13 is a top view thereof.

The broken line portions of the drawings are included to show portions of the article that form no part of the claimed design.

**1 Claim, 13 Drawing Sheets**



(56)

References Cited

U.S. PATENT DOCUMENTS

9,680,518 B2 6/2017 Wojcik et al.  
 9,698,623 B2 7/2017 Adams et al.  
 9,774,192 B2 9/2017 Wojcik et al.  
 D817,866 S \* 5/2018 Liu ..... D13/102  
 D819,620 S \* 6/2018 Parker ..... D14/250  
 10,008,870 B2 6/2018 Davison et al.  
 10,044,229 B2 8/2018 Partovi et al.  
 D837,776 S \* 1/2019 Chung ..... D14/250  
 10,219,598 B2 3/2019 Gronewoller et al.  
 10,256,663 B2 \* 4/2019 Singh ..... H04B 1/3888  
 D849,732 S \* 5/2019 Mischel ..... D14/255  
 10,291,063 B1 \* 5/2019 Feare ..... H02J 7/0044  
 10,326,298 B2 6/2019 Lee et al.  
 D857,687 S \* 8/2019 Frederick ..... D28/77  
 10,452,105 B2 10/2019 Zenoff  
 10,461,581 B2 10/2019 Klawon et al.  
 10,548,380 B2 2/2020 Rayner et al.  
 10,653,220 B2 \* 5/2020 Vanderhoof, Sr. .... A45F 5/00  
 11,206,909 B2 \* 12/2021 Chodieva ..... A45D 40/24  
 D957,383 S \* 7/2022 Montevirgen ..... D13/108  
 2011/0077061 A1 \* 3/2011 Danze ..... H04M 1/185  
 455/575.1  
 2012/0244918 A1 \* 9/2012 Hall ..... H04B 1/3888  
 455/575.4  
 2014/0140049 A1 \* 5/2014 Cotelo ..... H04M 1/04  
 362/184

2016/0014922 A1 \* 1/2016 Banerjee ..... A45C 7/0031  
 206/38  
 2016/0285495 A1 9/2016 Vick et al.  
 2016/0028272 A1 10/2016 Dukes

OTHER PUBLICATIONS

Soliz smartphone solar charging case, publication date Mar. 21, 2019, [online] URL: <https://www.geeky-gadgets.com/soliz-smartphone-solar-panel-case-21-03-2019/> (Year: 2019).\*

The Mobius iPhone Case Harnesses the Sun to Keep Your Gadget Powered, publication date Sep. 21, 2011, [online] URL: <https://www.trendhunter.com/trends/mobius-iphone-case> (Year: 2011).\*

Caviar's \$4,000 USD Solar-Powered "iPhone X Tesla" Is Covered in Carbon & Gold, publication date May 17, 2018, [online] URL: <https://hypebeast.com/2018/5/caviar-iphone-x-tesla-limited-edition-solar-power> (Year: 2018).\*

[www.indiergogo.com/projects/sunny-the-best-case-ever](http://www.indiergogo.com/projects/sunny-the-best-case-ever), Sunny—The Best Solar Case Ever, accessed Jul. 25, 2022.

[www.amazon.com/Snowlizard-Snowlizard-SLXtreme-Powered-Waterproof-Battery-dp/BO6xkDSP5b](http://www.amazon.com/Snowlizard-Snowlizard-SLXtreme-Powered-Waterproof-Battery-dp/BO6xkDSP5b), Snowlizard SLXtreme iPhone Case, accessed Jul. 25, 2022.

[www.amazon.com/Charger-25000mAh-Riapow-Outdoor-Waterproof/dp/B07VPFNRHK](http://www.amazon.com/Charger-25000mAh-Riapow-Outdoor-Waterproof/dp/B07VPFNRHK), Solar Charger 25000mAh Power Bank—Riapow Portable Phone Charger External Battery Pack with 4 Solar Panels Dual USB Output Ports for iPhone Samsung, accessed Jul. 25, 2022.

\* cited by examiner

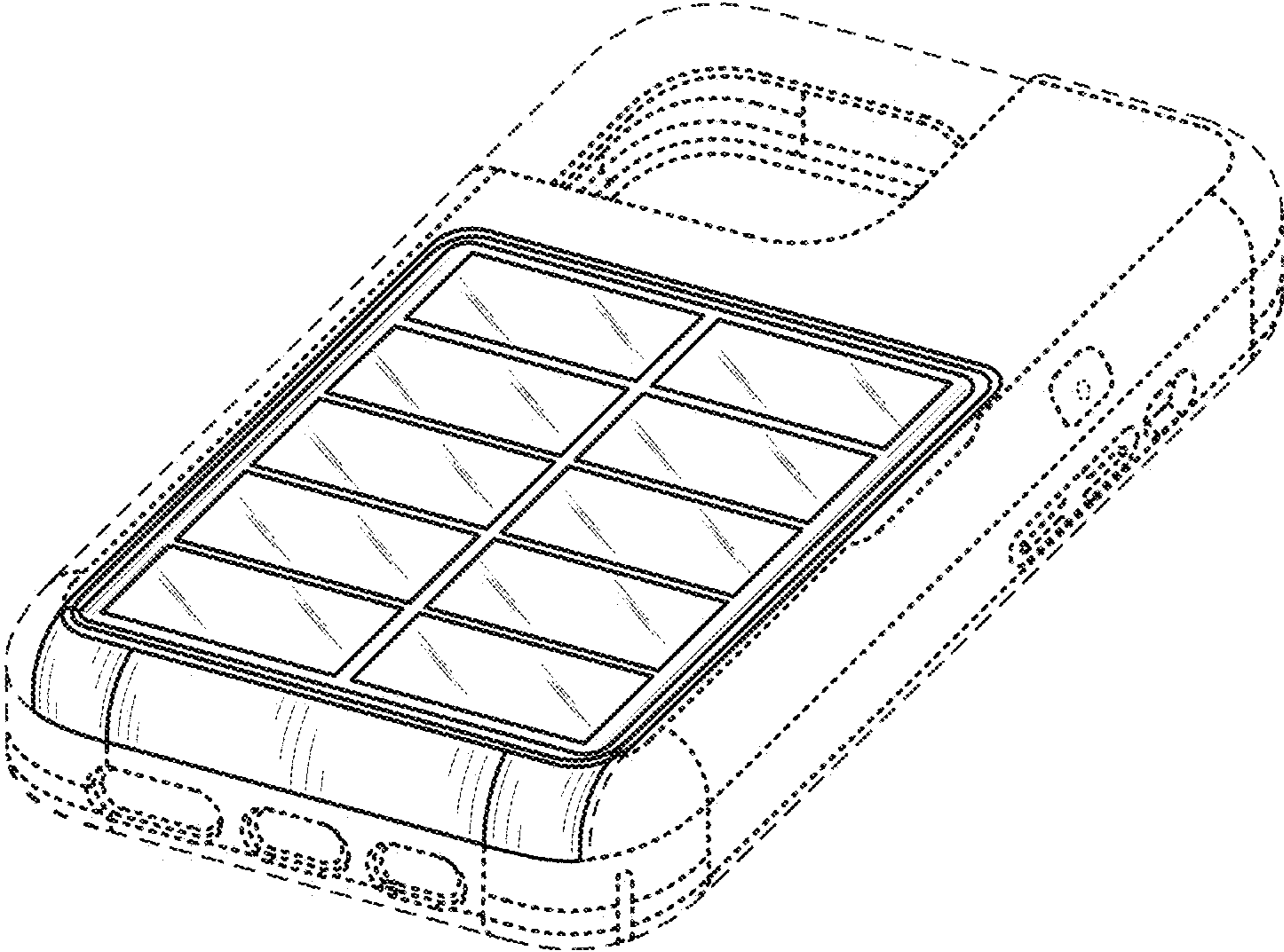


FIG. 1

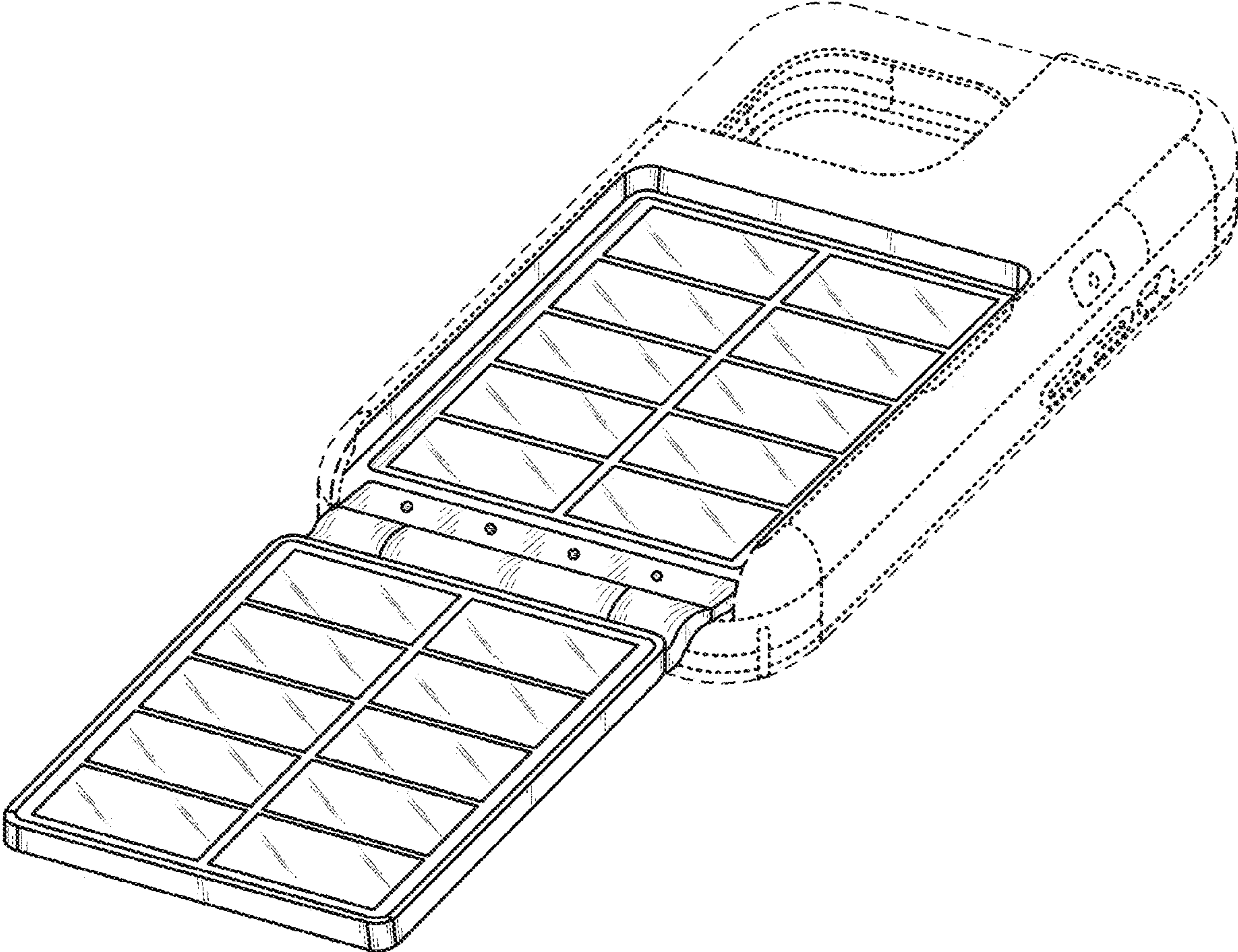


FIG. 2

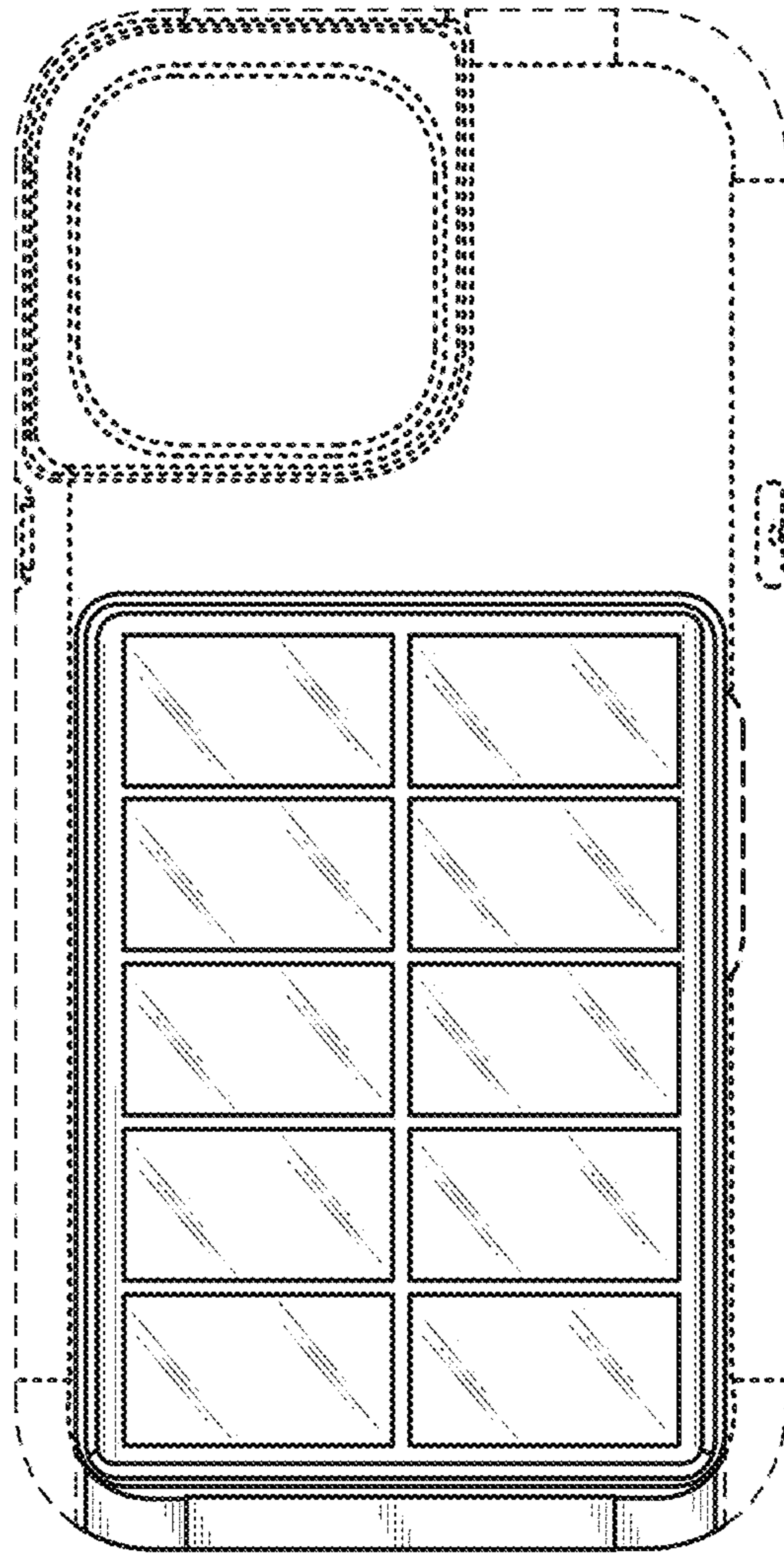


FIG. 3

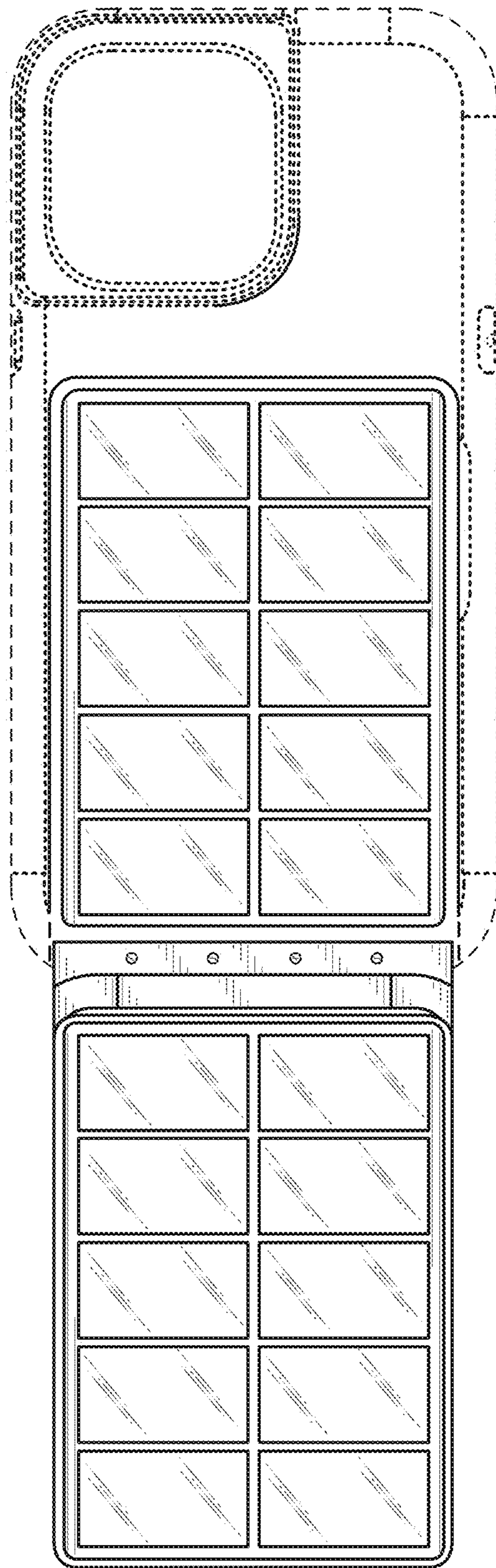


FIG. 4

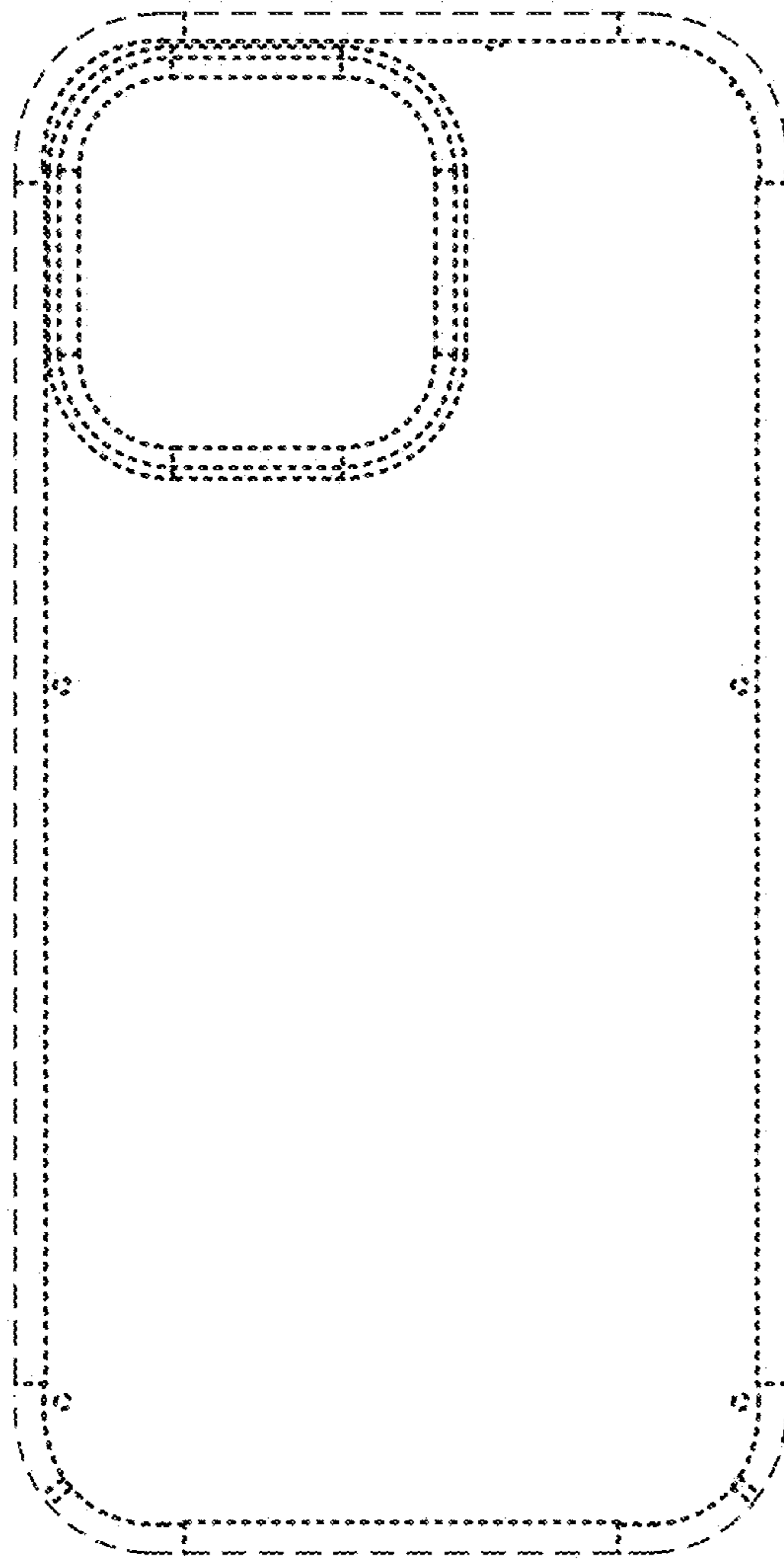


FIG. 5

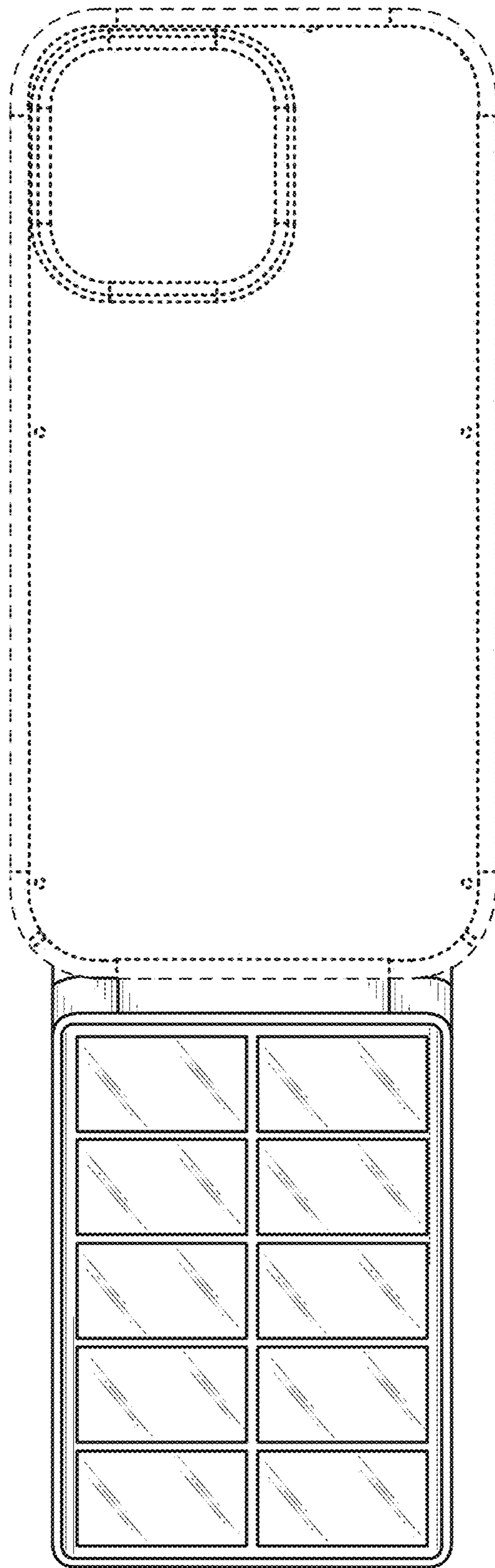


FIG. 6



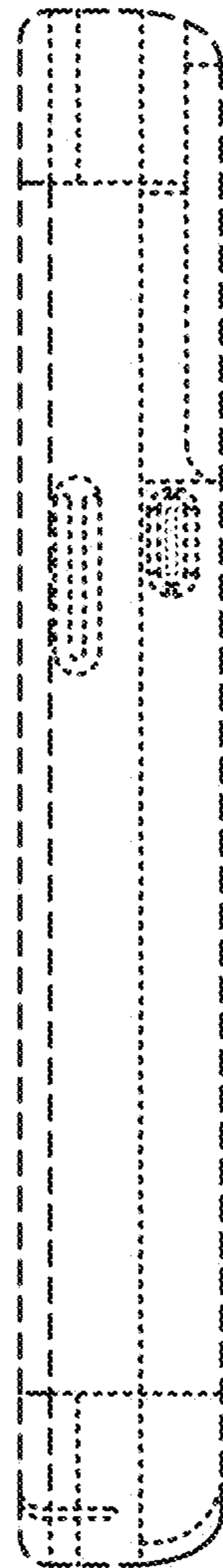


FIG. 7

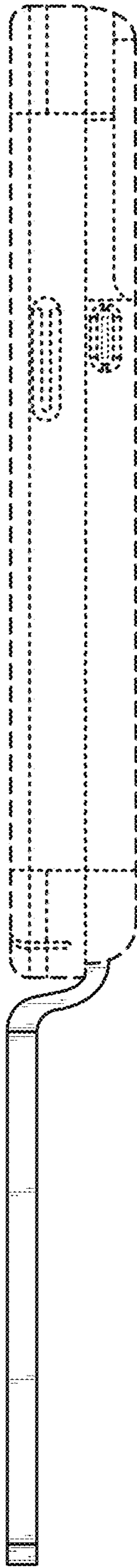


FIG. 8

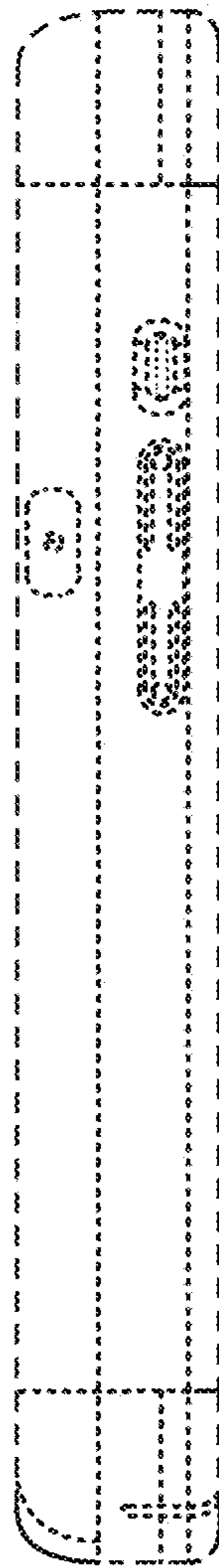


FIG. 9

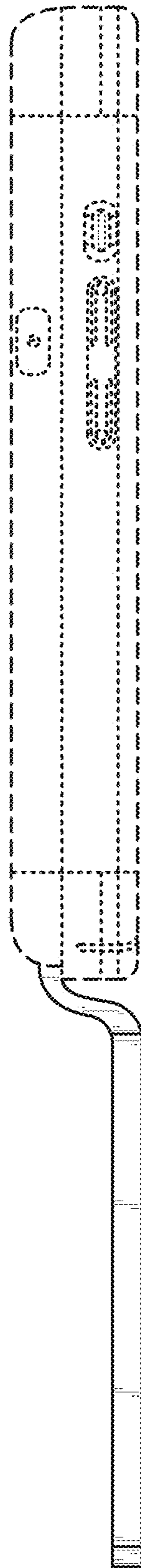


FIG. 10

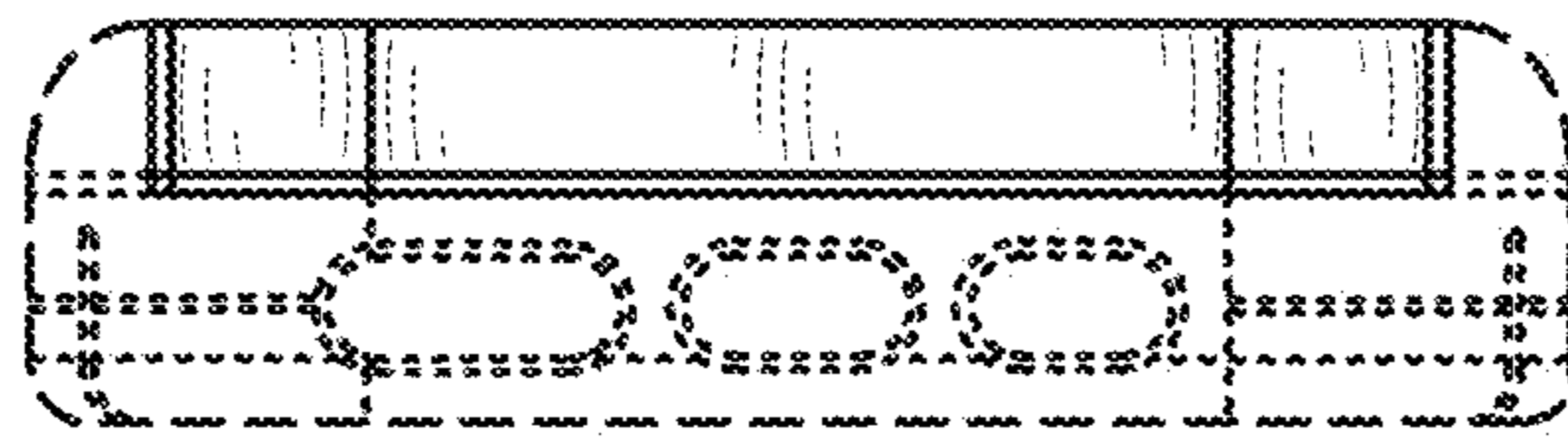


FIG. 11

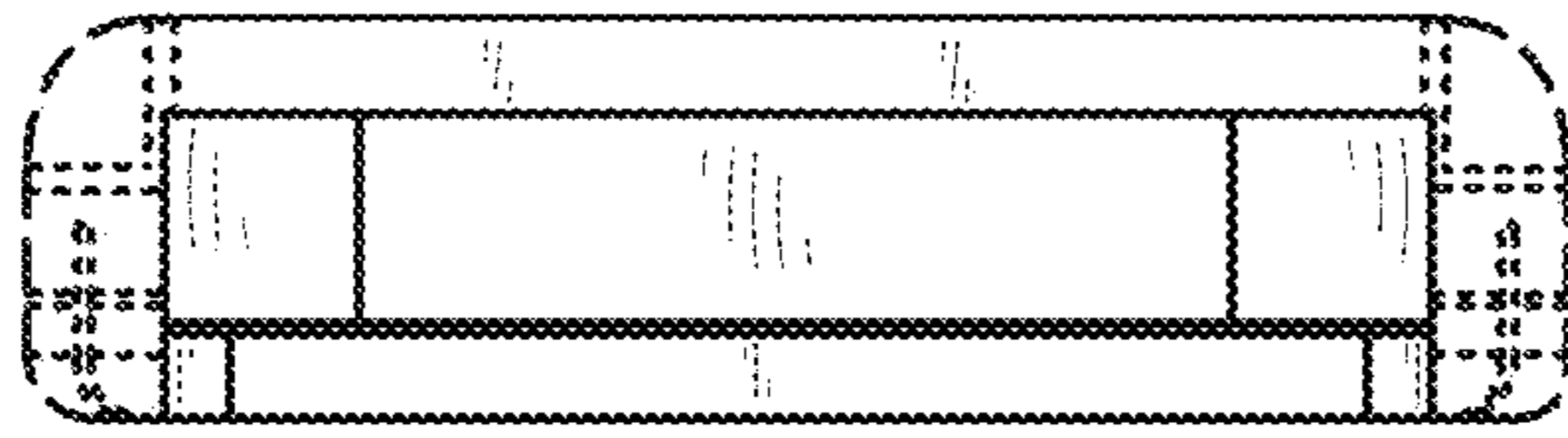


FIG. 12

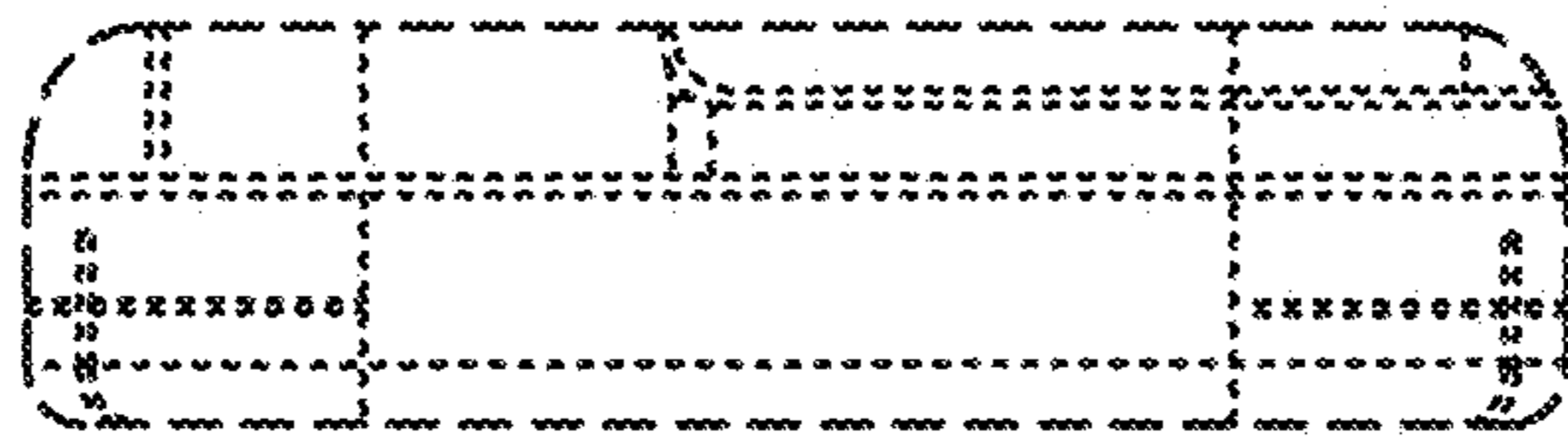


FIG. 13