



US00D979550S

(12) **United States Design Patent**
Luo

(10) **Patent No.:** **US D979,550 S**

(45) **Date of Patent:** **** Feb. 28, 2023**

(54) **PHONE WALLET CASE**

(71) Applicant: **Guizhou Chuyi Electronic Commerce Co., Ltd, Guiyang (CN)**

(72) Inventor: **Min Luo, Bijie (CN)**

(73) Assignee: **Guizhou Chuyi Electronic Commerce Co., Ltd, Guiyang (CN)**

(**) Term: **15 Years**

(21) Appl. No.: **29/836,310**

(22) Filed: **Apr. 26, 2022**

(51) **LOC (14) Cl.** **14-03**

(52) **U.S. Cl.**
USPC **D14/250; D3/249**

(58) **Field of Classification Search**
USPC D14/250, 252, 253, 440, 447; D3/247,
D3/249, 250, 300
CPC A45C 2011/002; A45C 2011/003; A45F
2200/0516; A45F 2200/0525; A45F
2005/002

See application file for complete search history.

(56) **References Cited**

U.S. PATENT DOCUMENTS

D639,552 S	6/2011	Du	
D782,185 S *	3/2017	Lederer	D14/252
D793,082 S *	8/2017	Zhang	D3/249
D793,725 S *	8/2017	Zhang	D3/249
D794,952 S *	8/2017	Feng	D3/247
D804,815 S *	12/2017	Chen	D3/247
D814,185 S *	4/2018	Liu	D3/249
D822,989 S *	7/2018	Persson	D3/249
D824,166 S	7/2018	Sevi	
D842,289 S *	3/2019	Feng	D3/249
D843,992 S *	3/2019	Lu	D14/250
D844,596 S *	4/2019	Liu	D14/250
D856,671 S *	8/2019	Li	D3/249
D858,096 S *	9/2019	Liu	D3/249

D866,179 S *	11/2019	Zhao	D3/249
D869,843 S *	12/2019	Zhou	D3/249
D880,855 S *	4/2020	Lu	D3/249
D891,416 S *	7/2020	Yu	D3/249
D892,107 S *	8/2020	Zhao	D14/250

(Continued)

OTHER PUBLICATIONS

Amazon.com_ DKDKSIP Wallet Case for iPhone, first available Dec. 2, 2021 [online], retrieved Oct. 18, 2022, available at URL: <https://a.co/d/4eWUFFP> (Year: 2021).*

(Continued)

Primary Examiner — Wendy L Arminio

Assistant Examiner — Carrie S Gelula

(74) *Attorney, Agent, or Firm* — Jeenam Park

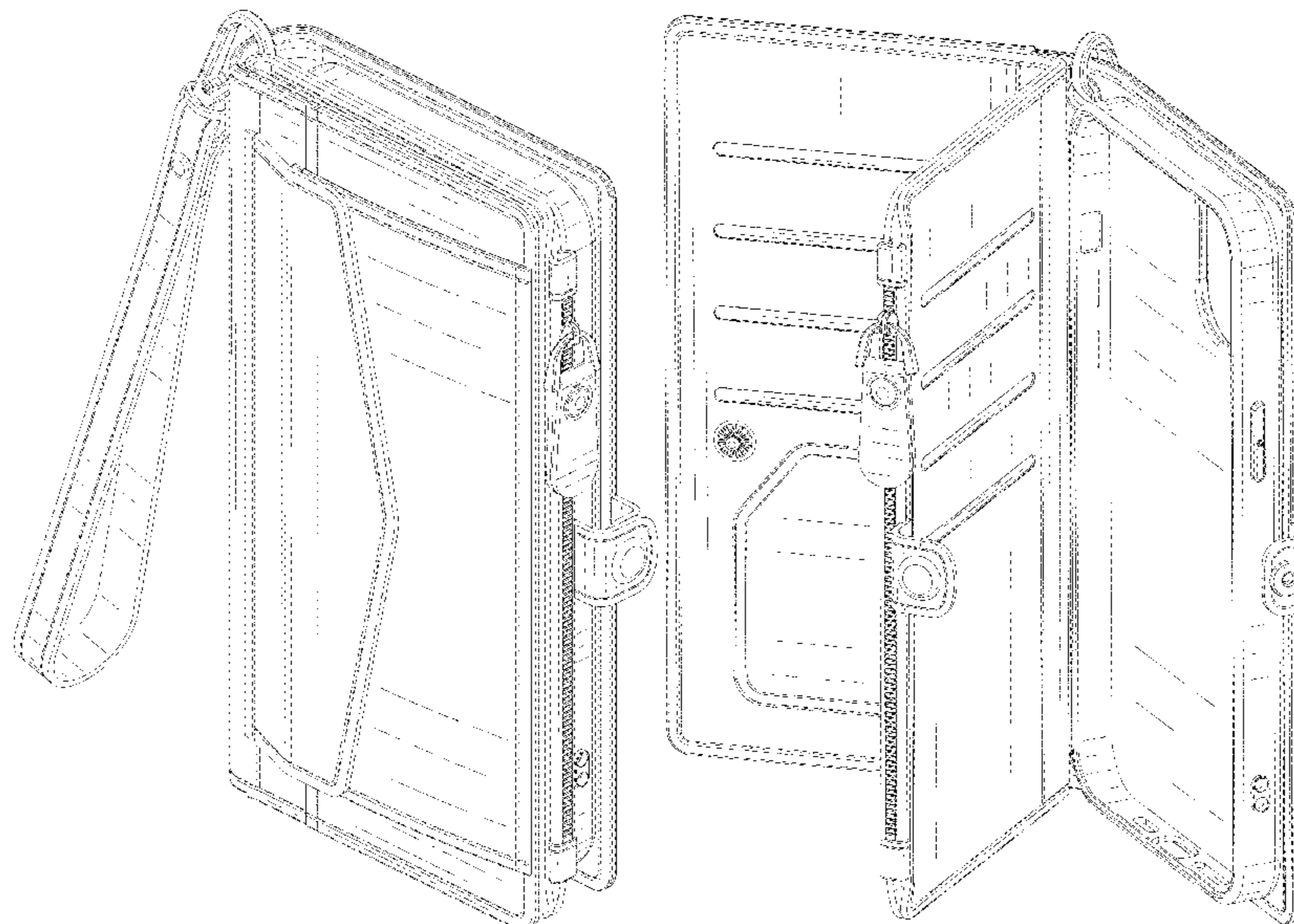
(57) **CLAIM**

The ornamental design for a phone wallet case, as shown and described.

DESCRIPTION

FIG. 1 is a perspective view of a phone wallet case, showing my new design;
FIG. 2 is another perspective view thereof;
FIG. 3 is a perspective view in an open state thereof;
FIG. 4 is a perspective view in a disassembled state thereof;
FIG. 5 is a front view thereof;
FIG. 6 is a rear view thereof;
FIG. 7 is a left side view thereof;
FIG. 8 is a right side view thereof;
FIG. 9 is a top plan view thereof;
FIG. 10 is a bottom plan view thereof; and,
FIG. 11 is another perspective view in an open state thereof.
The broken line showing of the phone wallet case is for the purpose of illustrating portions of the article that form no part of the claimed design.

1 Claim, 11 Drawing Sheets



(56)

References Cited

U.S. PATENT DOCUMENTS

D895,599 S * 9/2020 Zhao D14/250
D903,314 S * 12/2020 Liu D3/249
D903,315 S * 12/2020 Liu D3/249
D906,321 S * 12/2020 Feng D3/249
D924,861 S * 7/2021 Zhong D14/250
D956,033 S * 6/2022 Hu D14/250
D961,922 S * 8/2022 Zhang D3/247
D965,578 S * 10/2022 Liu D14/249
D968,804 S * 11/2022 Hu D3/249
D970,888 S * 11/2022 Liu A45C 11/00
D3/249
D971,909 S * 12/2022 Min D3/249
D971,910 S * 12/2022 Chen D14/250
2021/0219702 A1 * 7/2021 Altschul A45F 3/02

OTHER PUBLICATIONS

Amazon.com_ Defencase for iPhone, first available Oct. 16, 2021 [online], retrieved Oct. 18, 2022, available at URL: <https://a.co/d/7KTnlk0> (Year: 2021).*

Amazon.com_ YuHii iPhone Case Wallet, first available Nov. 10, 2021 [online], retrieved Oct. 18, 2022, available at URL: <https://a.co/d/fTmMiLv> (Year: 2021).*

* cited by examiner

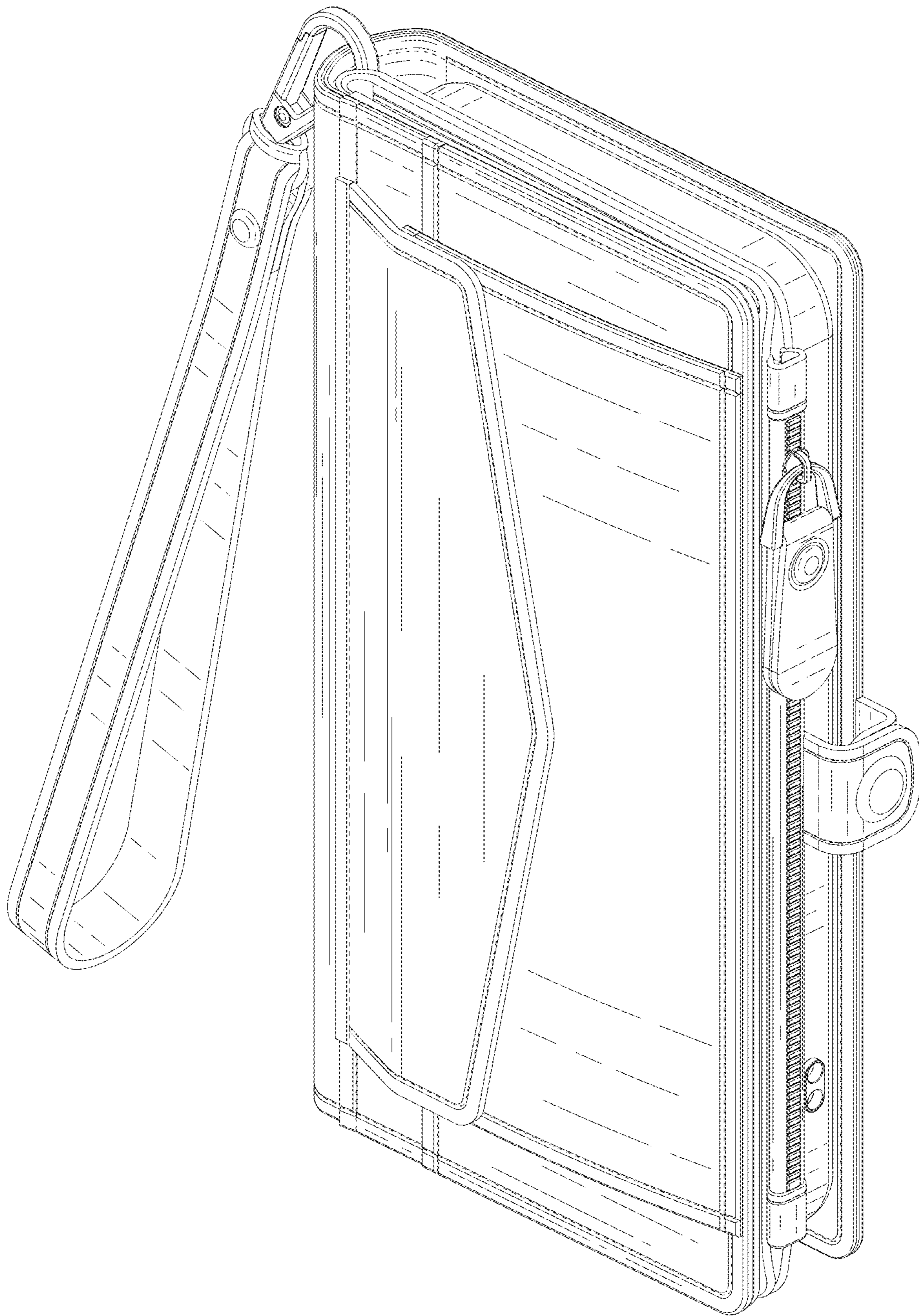


FIG. 1

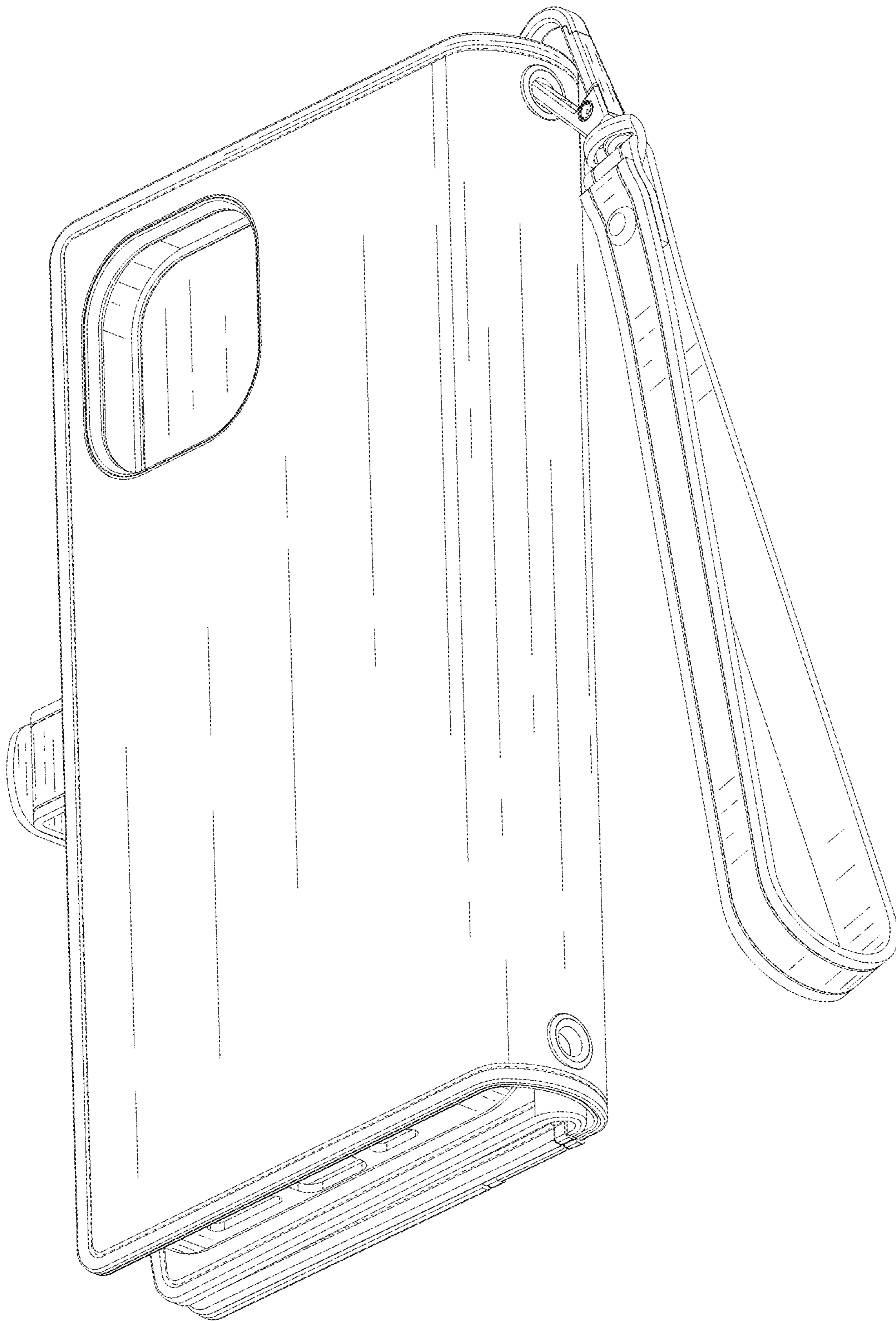


FIG. 2

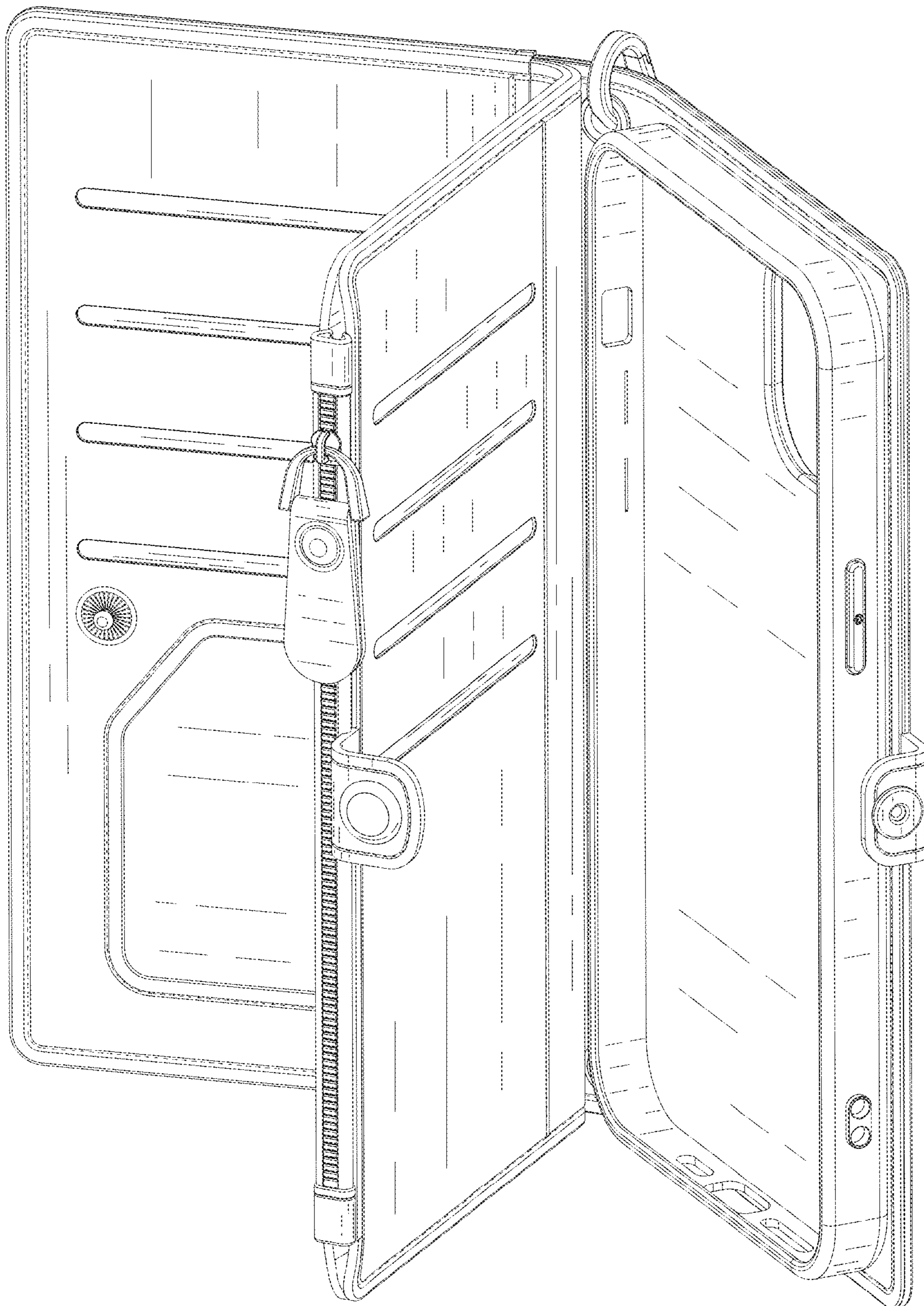


FIG. 3

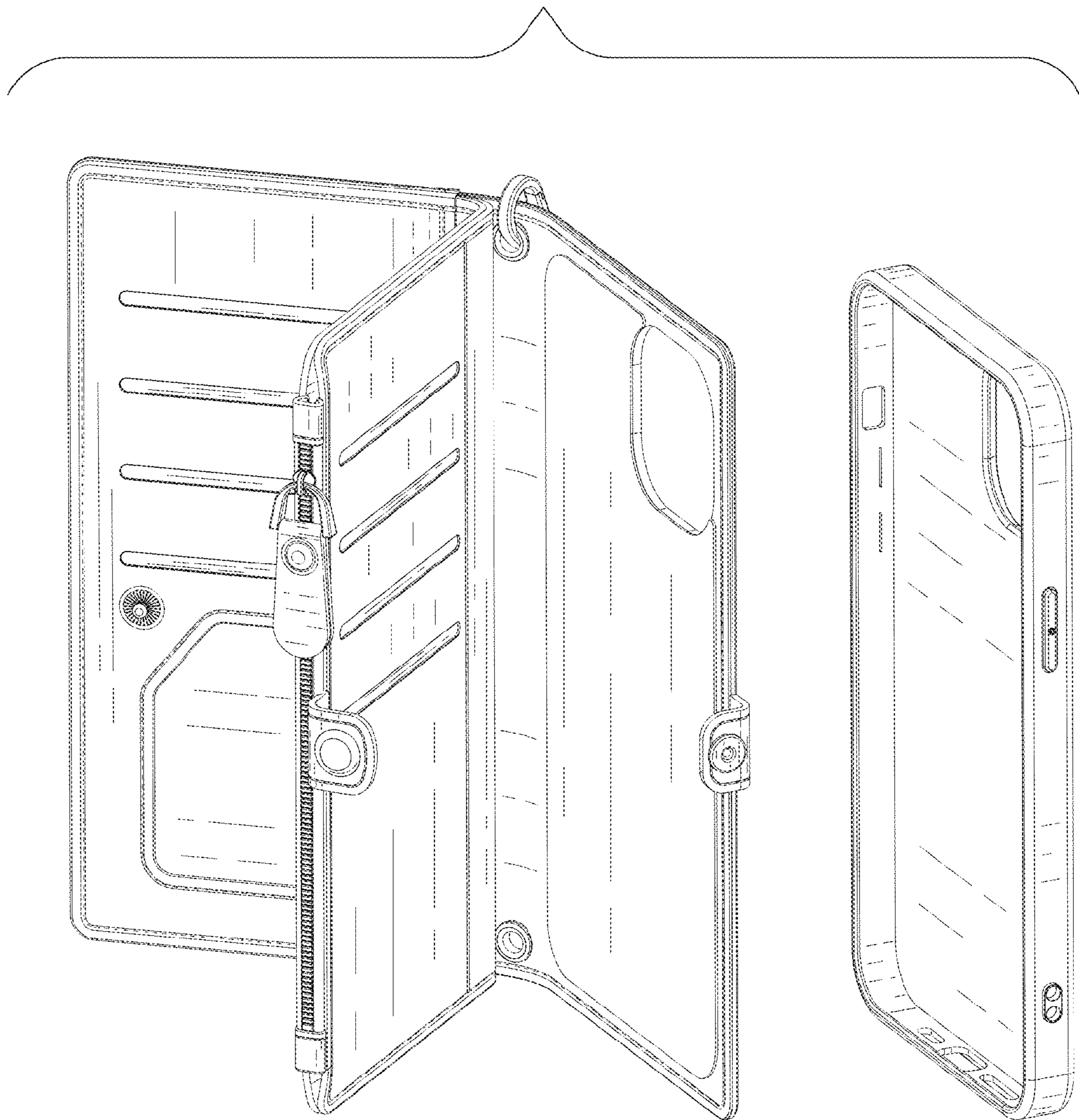


FIG. 4

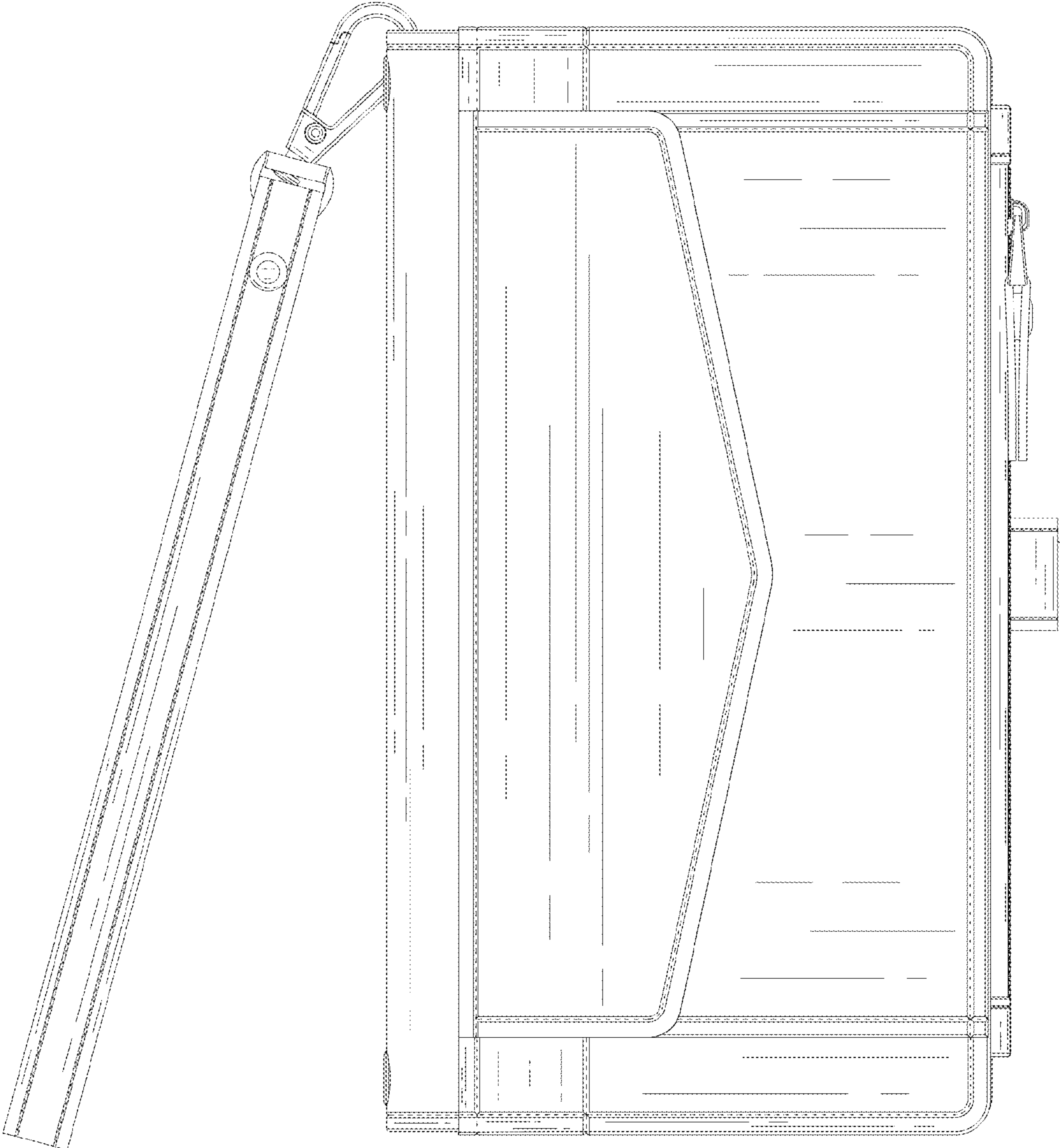


FIG. 5

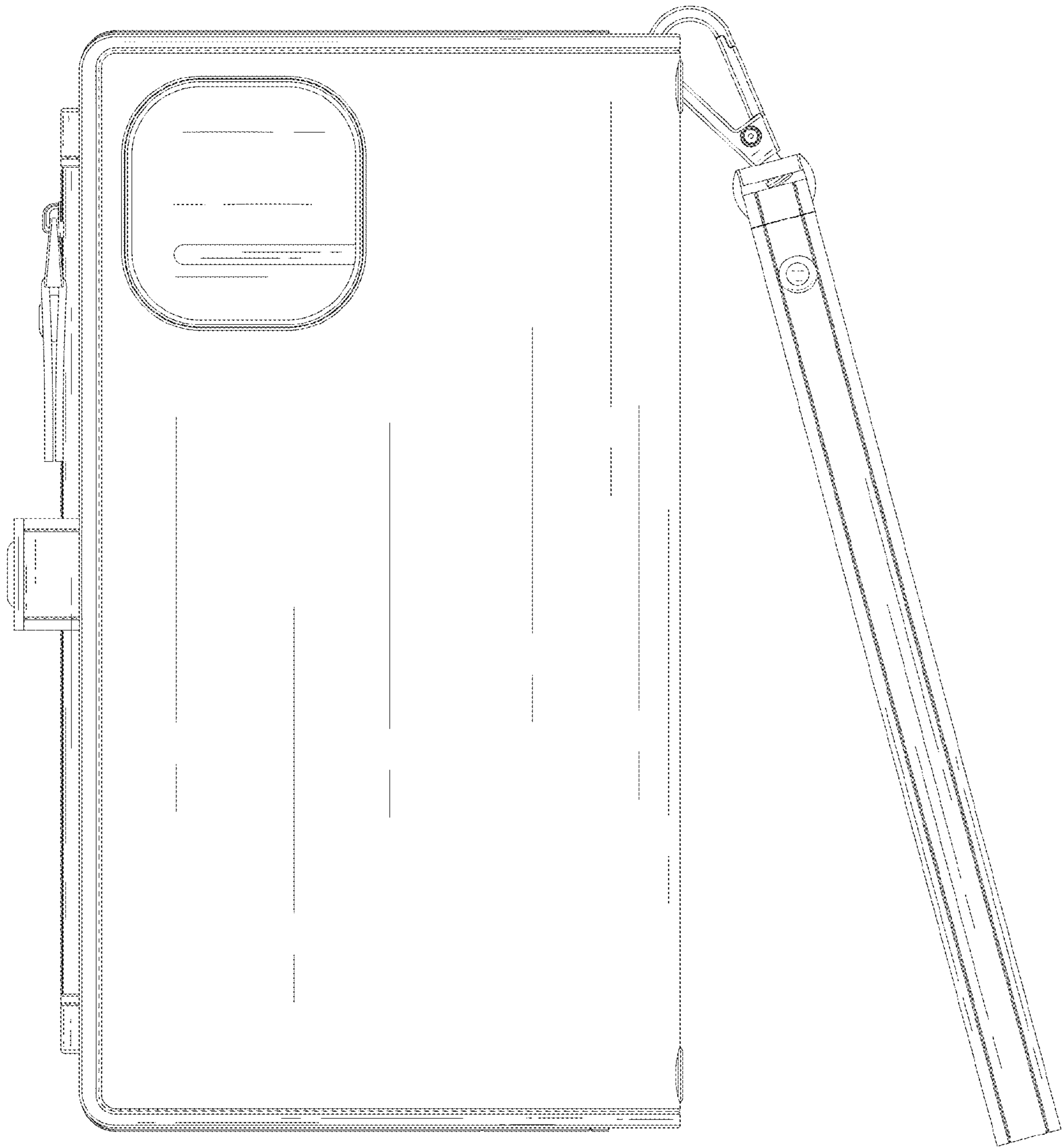


FIG. 6

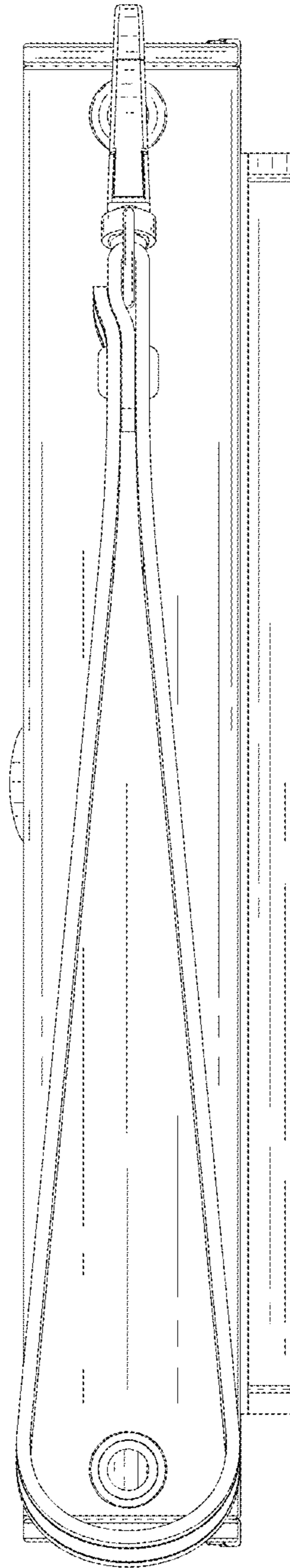


FIG. 7

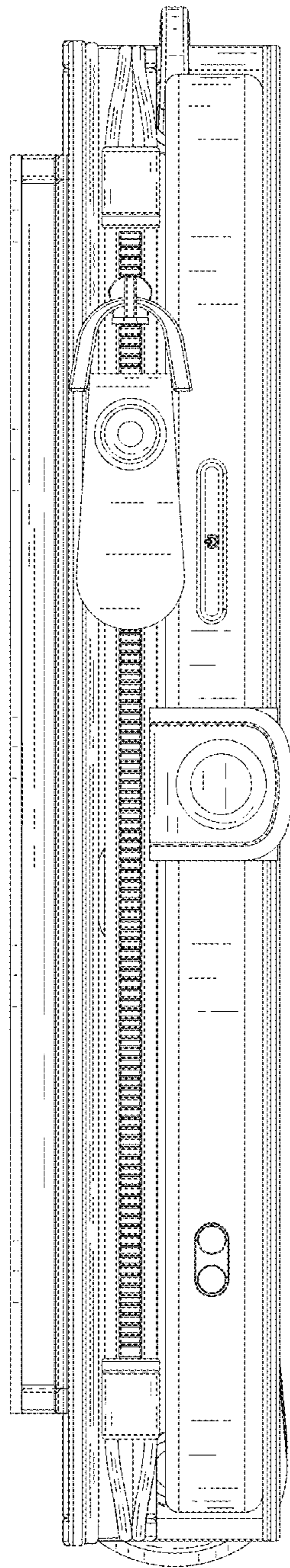


FIG. 8

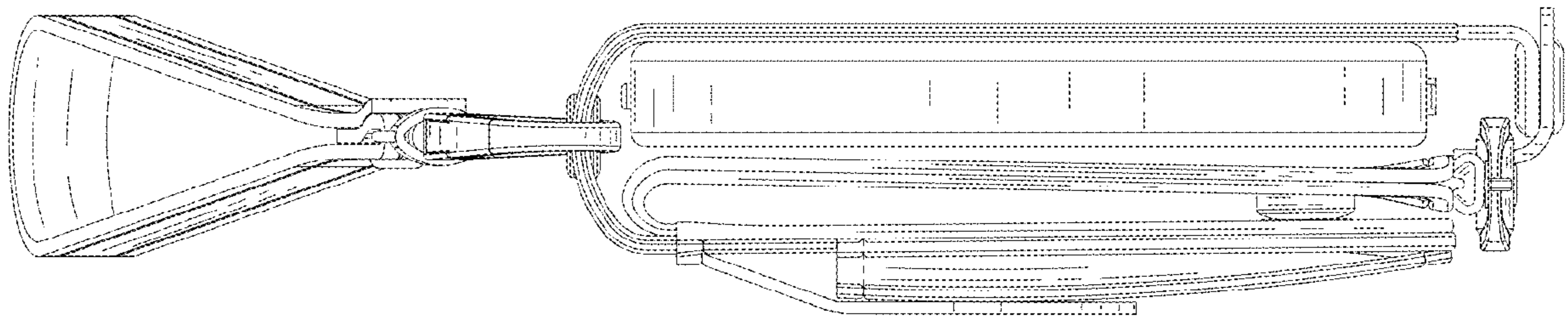


FIG. 9

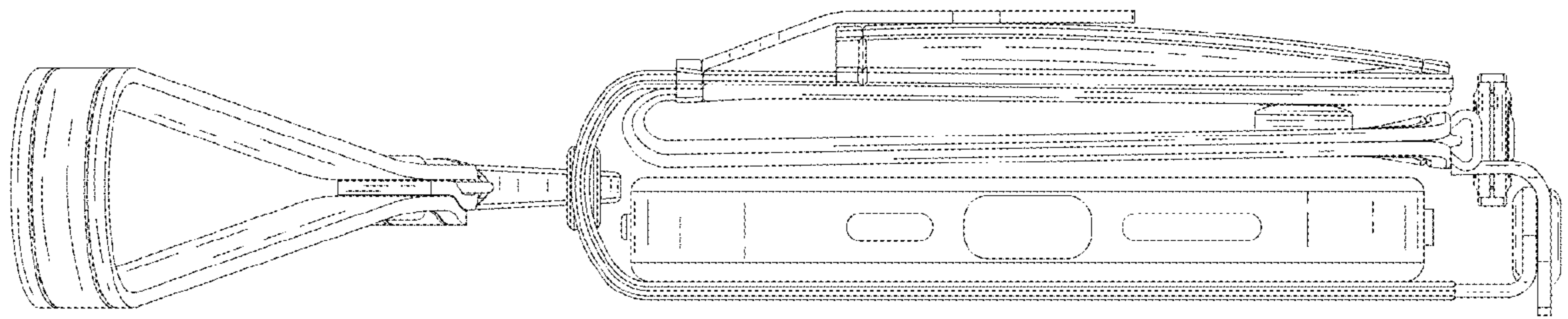


FIG. 10

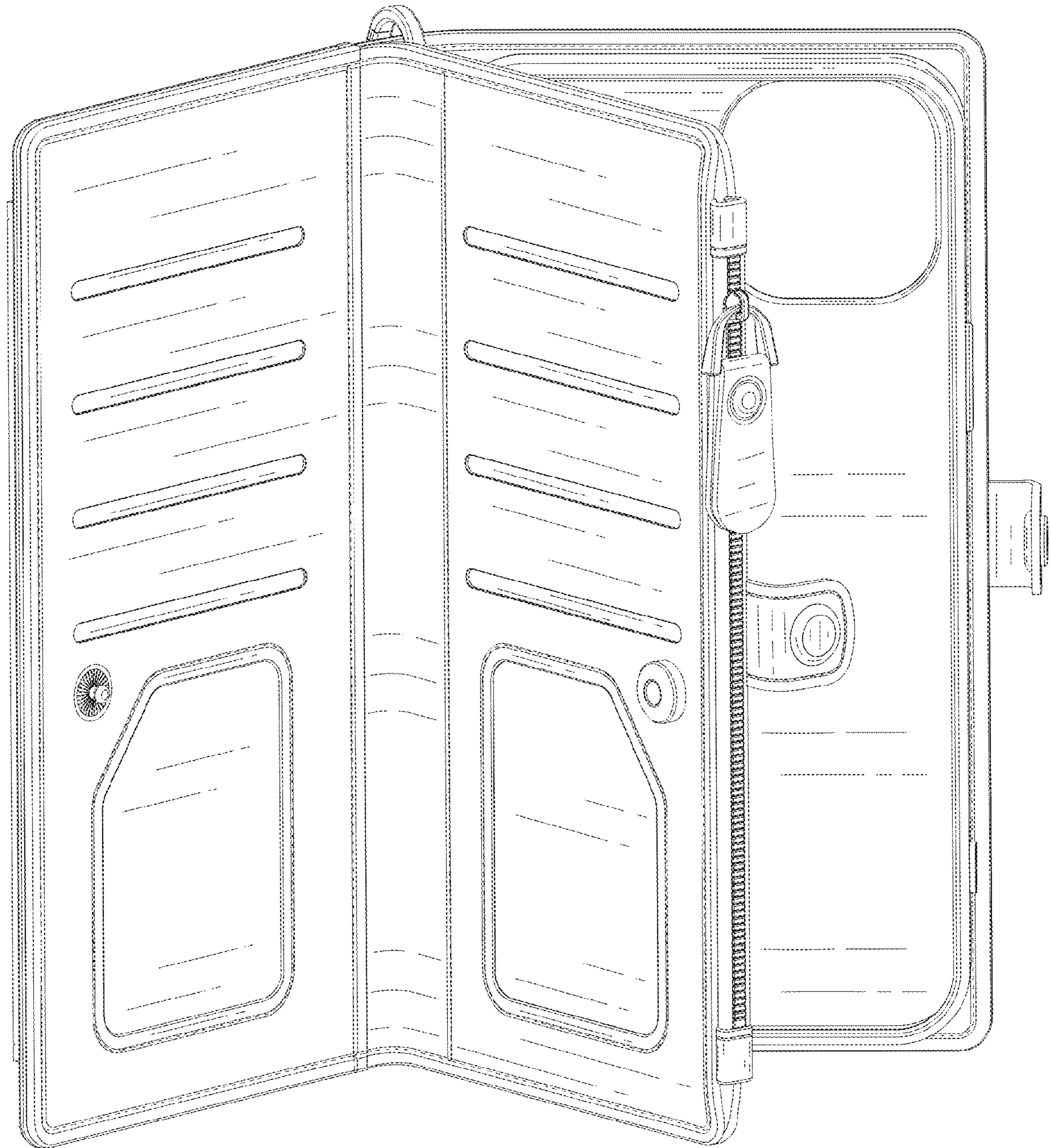


FIG. 11