



US00D979547S

(12) **United States Design Patent**
Voskanian

(10) **Patent No.:** **US D979,547 S**

(45) **Date of Patent:** **** Feb. 28, 2023**

(54) **ROUTER SWITCH**

D565,021 S * 3/2008 Wilson D14/188
D918,833 S * 5/2021 Ashley D13/110
D919,608 S * 5/2021 Schubert H04L 12/00
D14/240

(71) Applicant: **Vahik Voskanian**, Escondido, CA (US)

(72) Inventor: **Vahik A. Voskanian**, Escondido, CA (US)

* cited by examiner

(**) Term: **15 Years**

Primary Examiner — Khawaja Anwar

Assistant Examiner — Megan Tiana Rakos

(74) *Attorney, Agent, or Firm* — Eric B Alspaugh, APC

(21) Appl. No.: **29/735,951**

(57) **CLAIM**

The ornamental design for a router switch, as shown and described.

(22) Filed: **May 26, 2020**

(51) **LOC (14) Cl.** **14-03**

DESCRIPTION

(52) **U.S. Cl.**

USPC **D14/240**

(58) **Field of Classification Search**

USPC D3/312; D30/108; D10/46, 121;
D13/110, 118, 119, 123, 158, 162, 169,
D13/170, 177; D14/240, 188

CPC G05B 19/02; H01H 47/00; H01H 9/02;
H01R 13/42; H04W 88/00

See application file for complete search history.

FIG. 1 is a front view of a router switch showing my new design,

FIG. 2 is a back view thereof,

FIG. 3 is a bottom side view thereof,

FIG. 4 is a top side view thereof,

FIG. 5 is a left side view thereof,

FIG. 6 is a right side view thereof,

FIG. 7 is a front top left oblique view thereof;

FIG. 8 is a front top right oblique view thereof;

FIG. 9 is a front right bottom oblique view thereof;

FIG. 10 is a front bottom right oblique view thereof;

FIG. 11 is a back top left oblique view thereof;

FIG. 12 is a back top right oblique view thereof;

FIG. 13 is a front top right oblique view thereof;

FIG. 14 is a top side view thereof; and,

FIG. 15 is a bottom side view thereof.

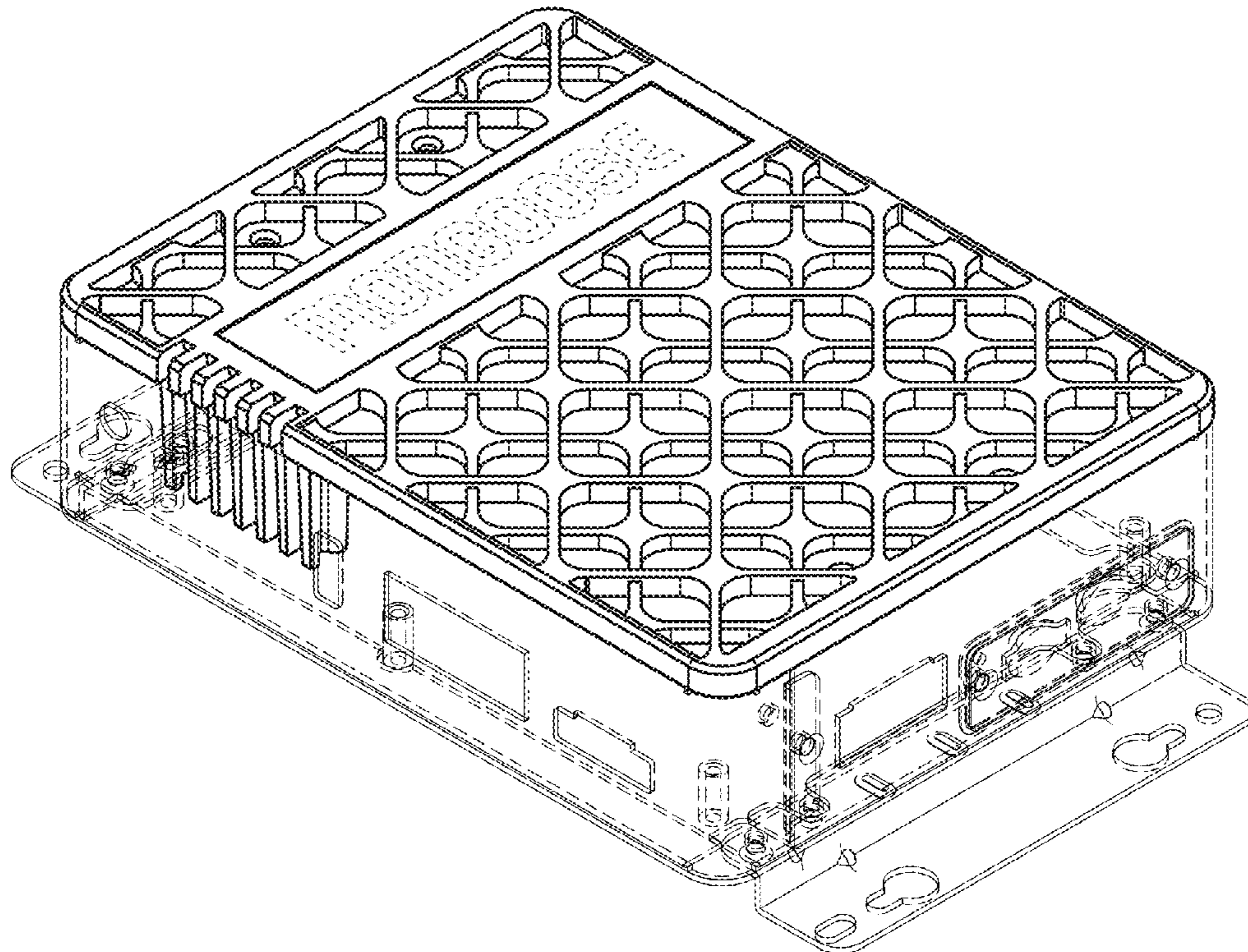
The broken line showing of router switch is for the purpose if illustrating portions of the article and forms no part of the claimed design. The word "Mongoose" is shown in broken lines and is superimposed on continuous surfaces.

(56) **References Cited**

U.S. PATENT DOCUMENTS

D92,726 S * 7/1934 Melas D10/102
4,683,734 A * 8/1987 Peterson H01H 37/04
70/171
D332,942 S * 2/1993 Julien D13/184
D356,994 S * 4/1995 Tamaki D13/110
D361,310 S * 8/1995 Kawamura D13/110
D369,778 S * 5/1996 Tamaki D13/110
D545,762 S * 7/2007 Sichner D13/151

1 Claim, 15 Drawing Sheets



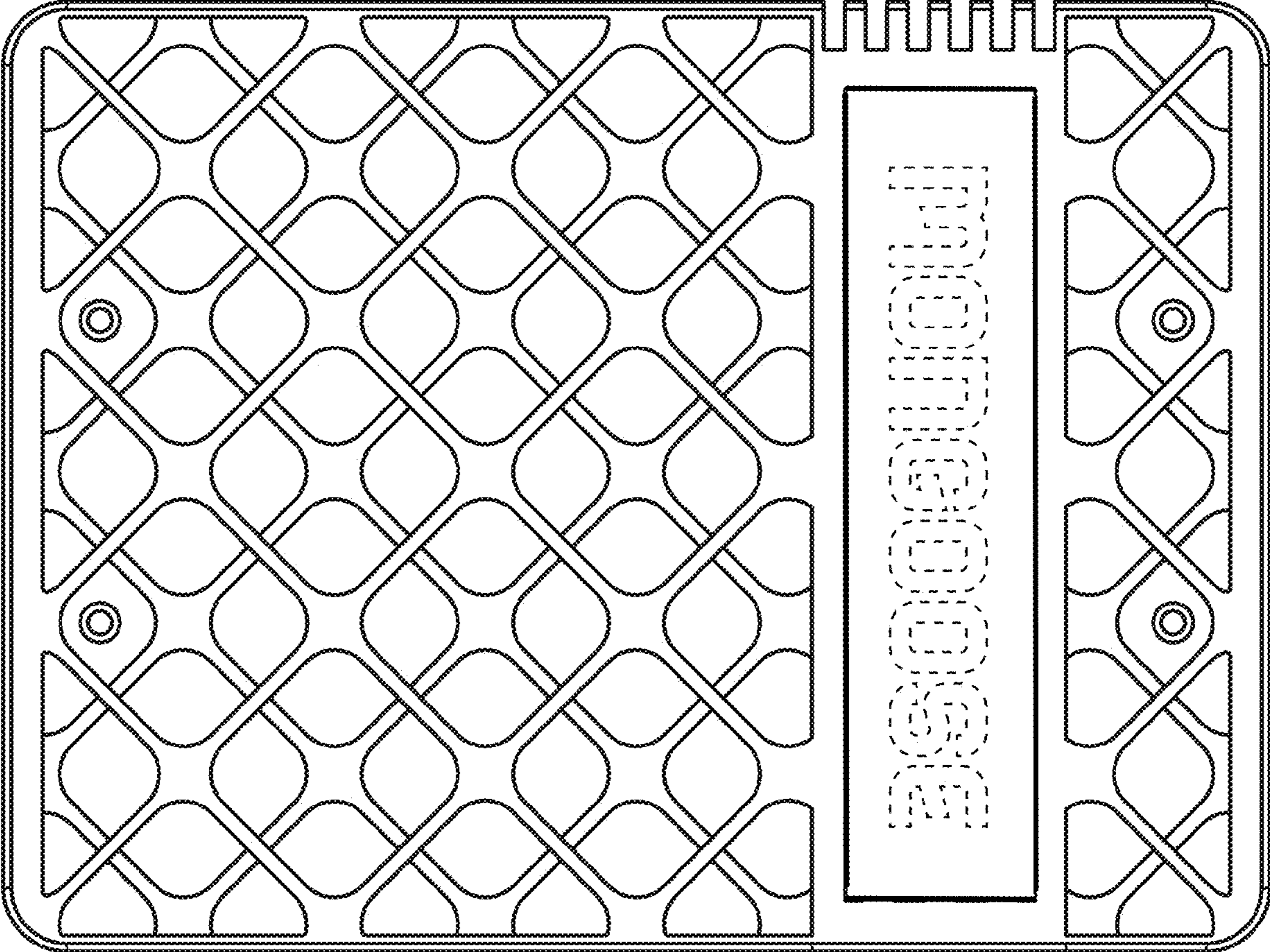


Fig. 1

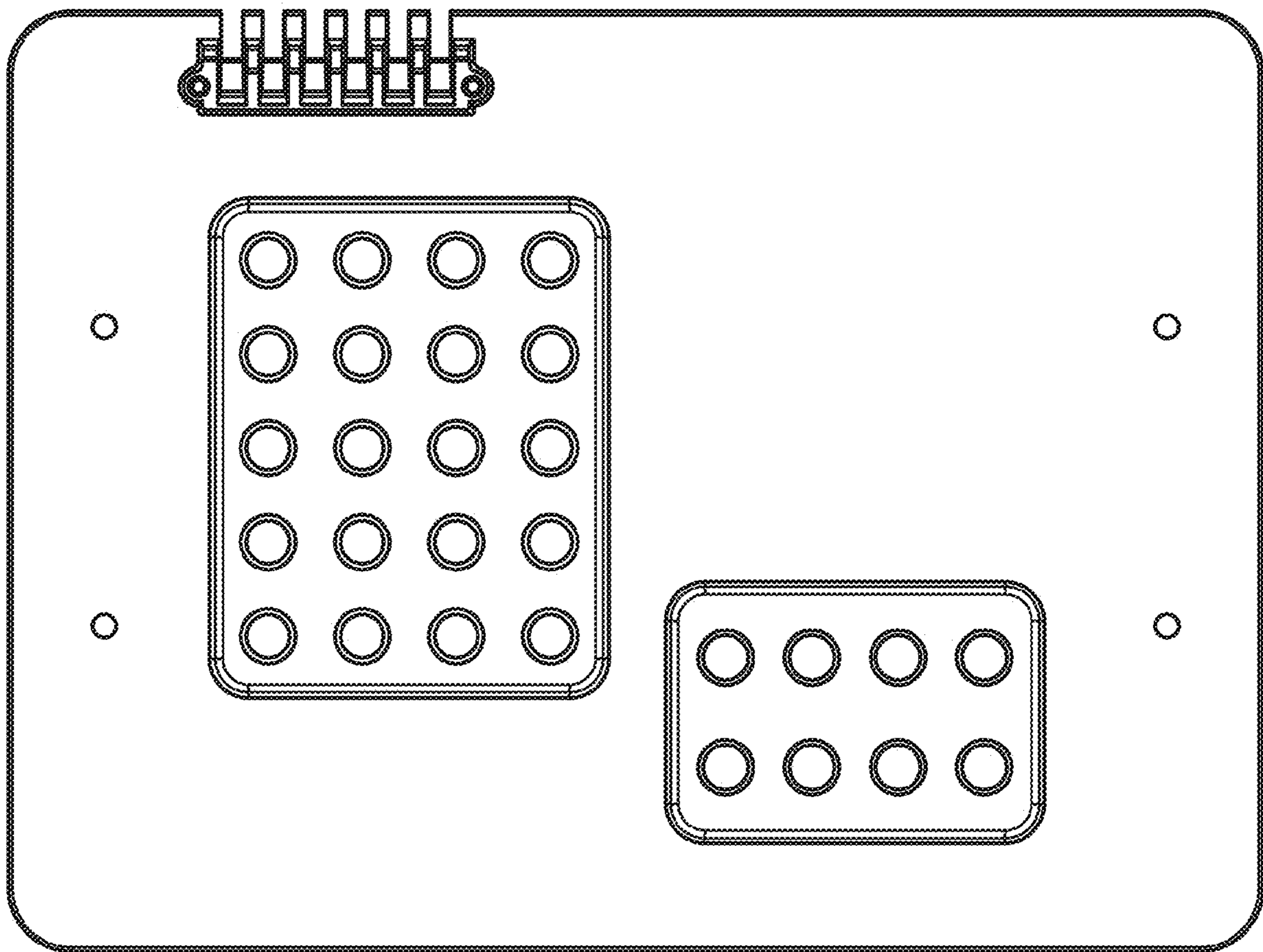


Fig. 2

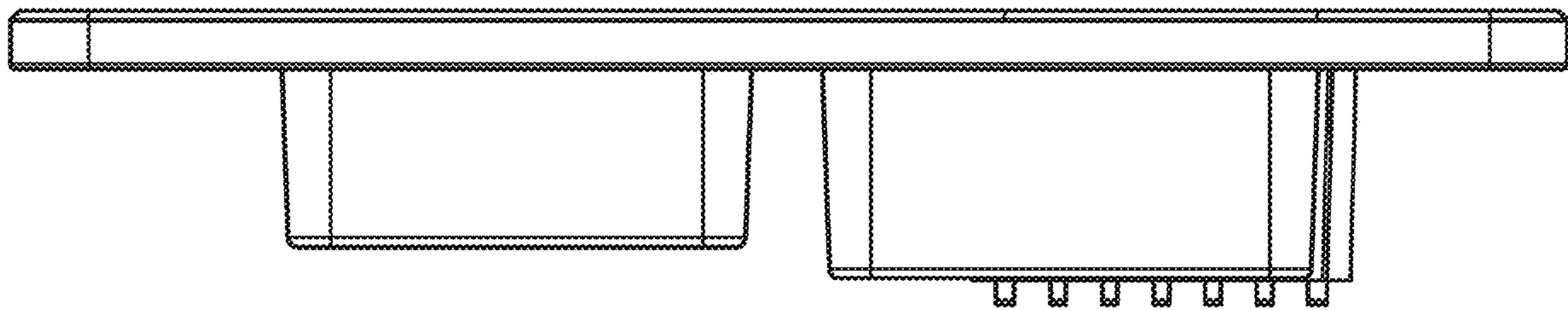


Fig. 3

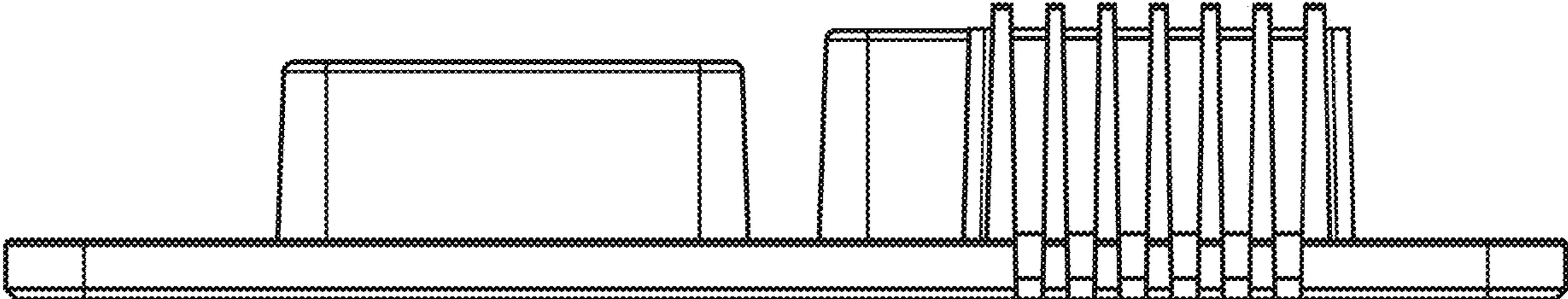


Fig. 4

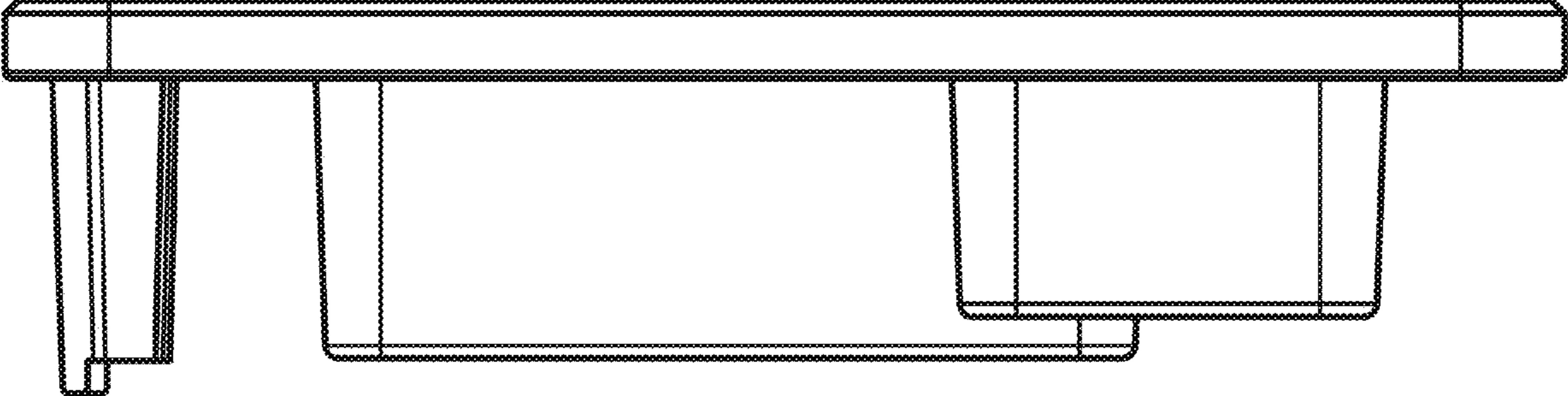


Fig. 5

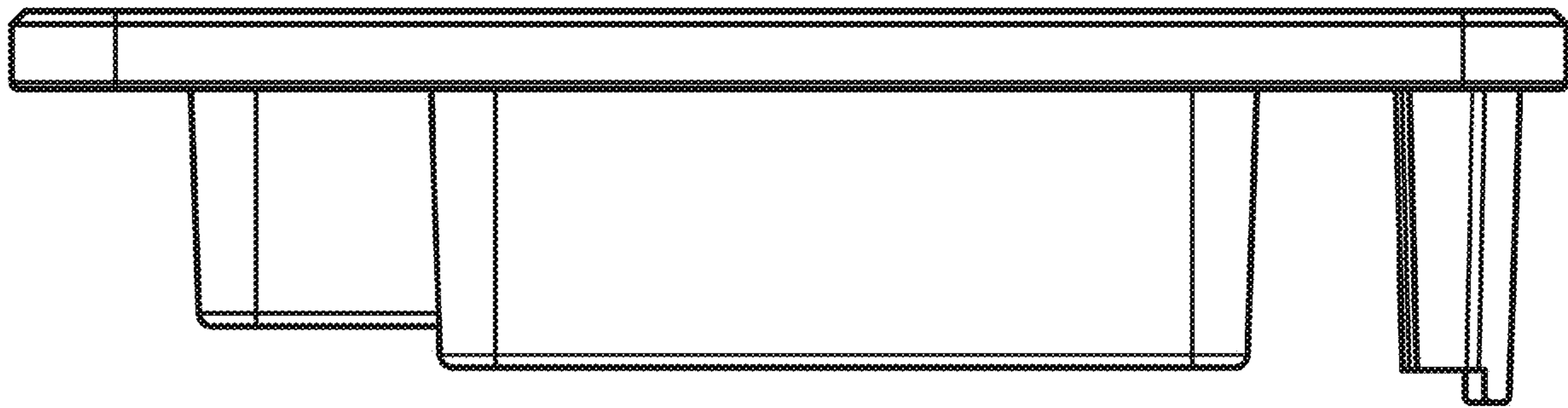


Fig. 6

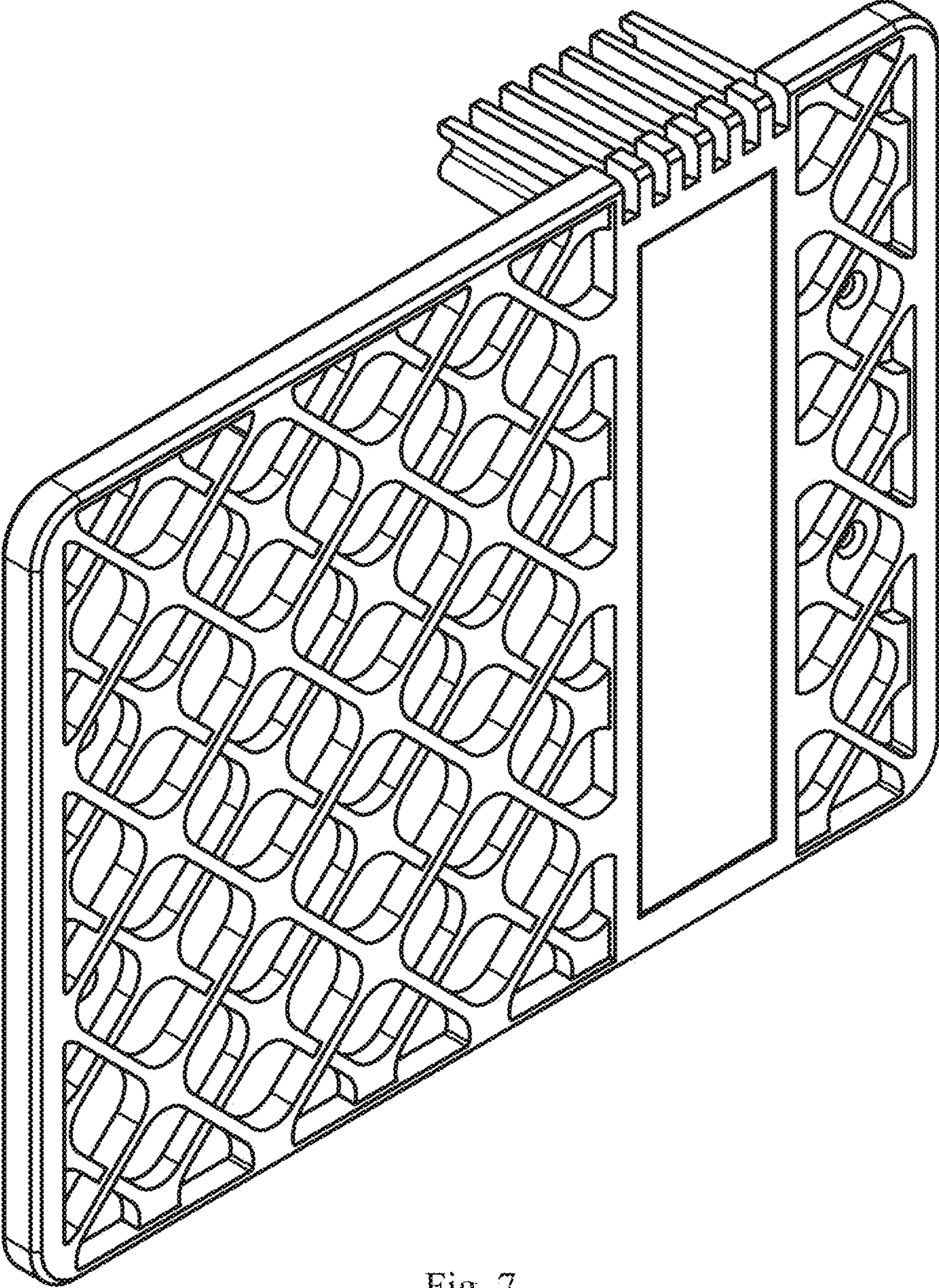


Fig. 7

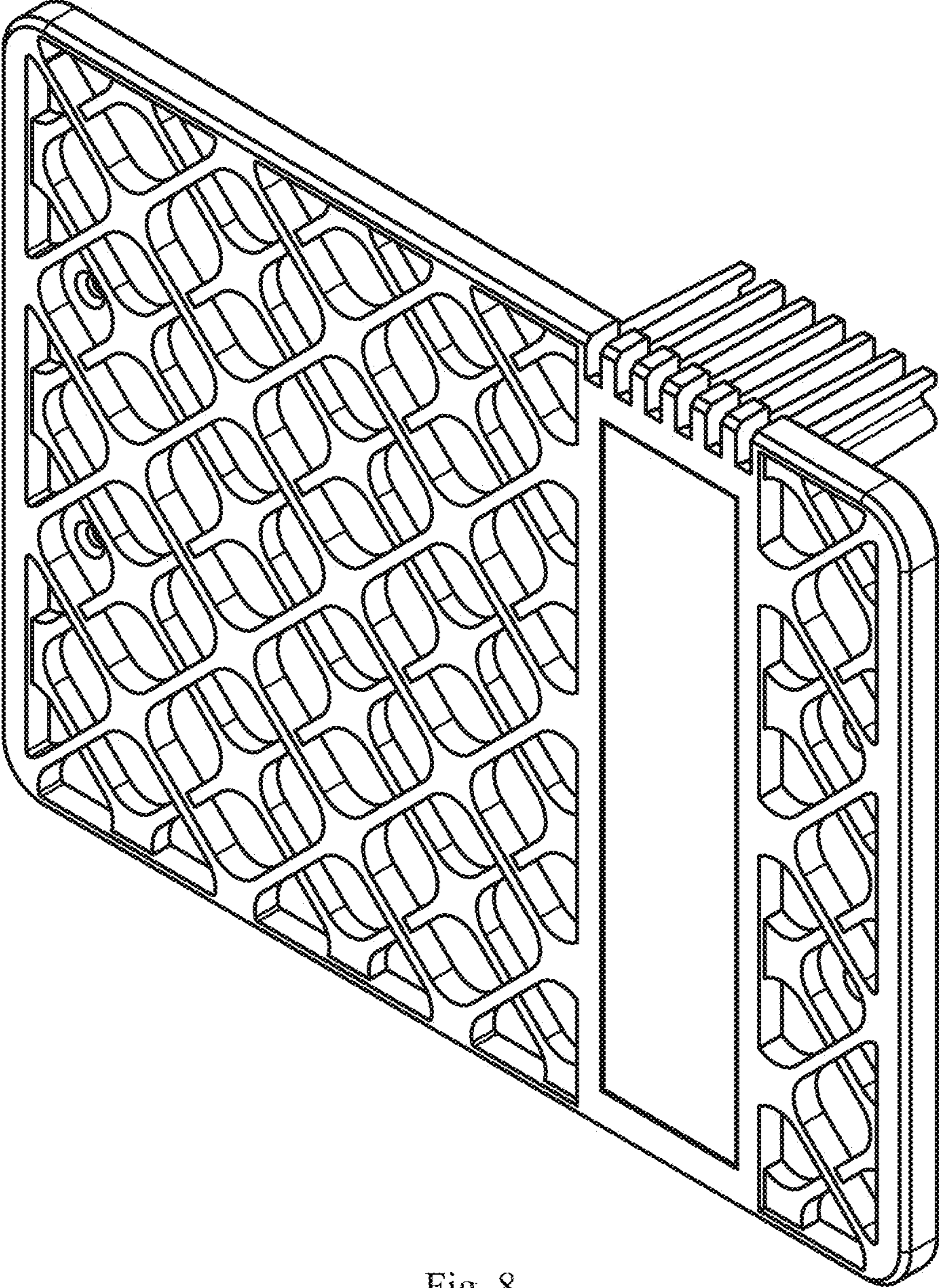


Fig. 8

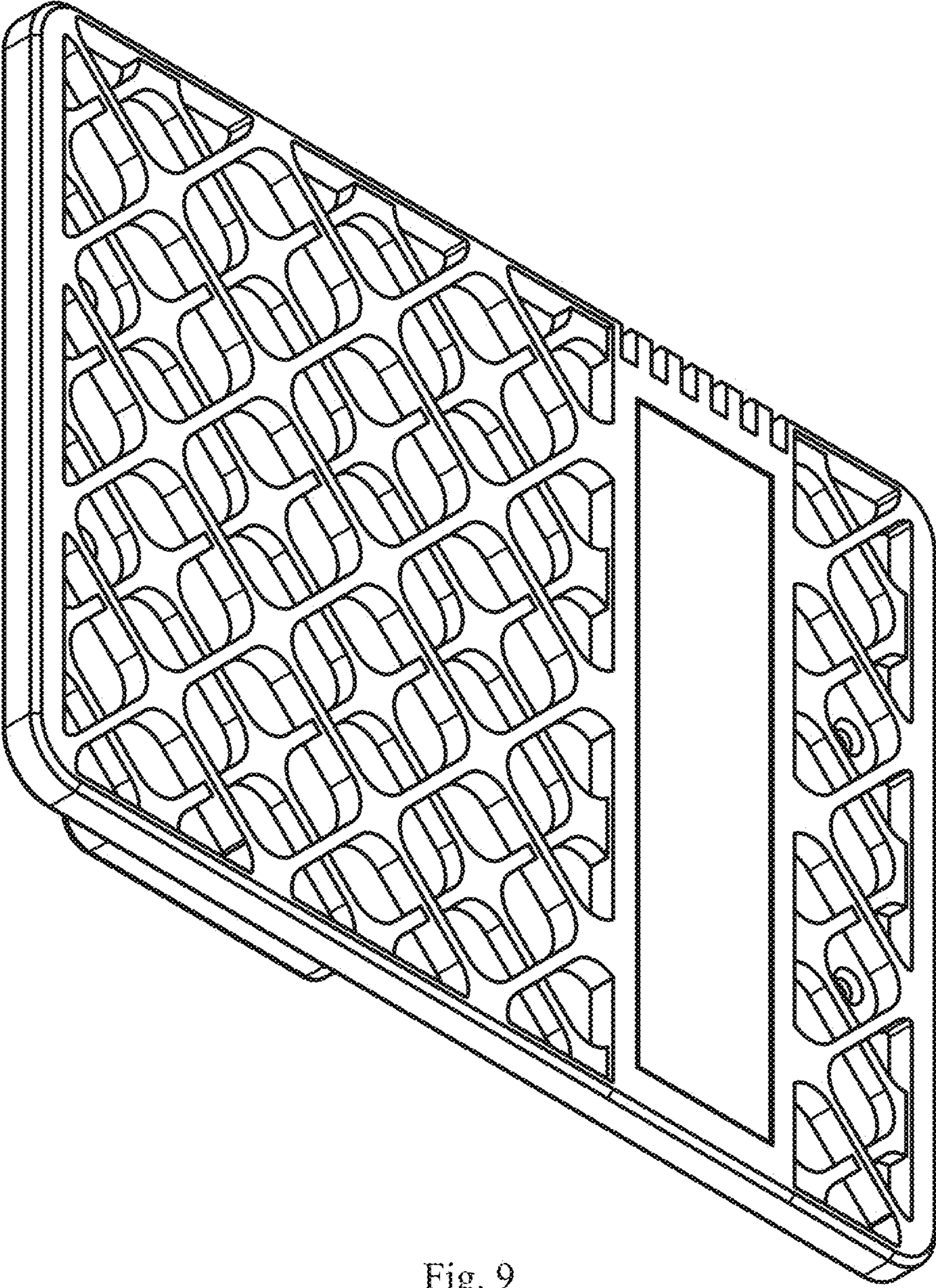


Fig. 9

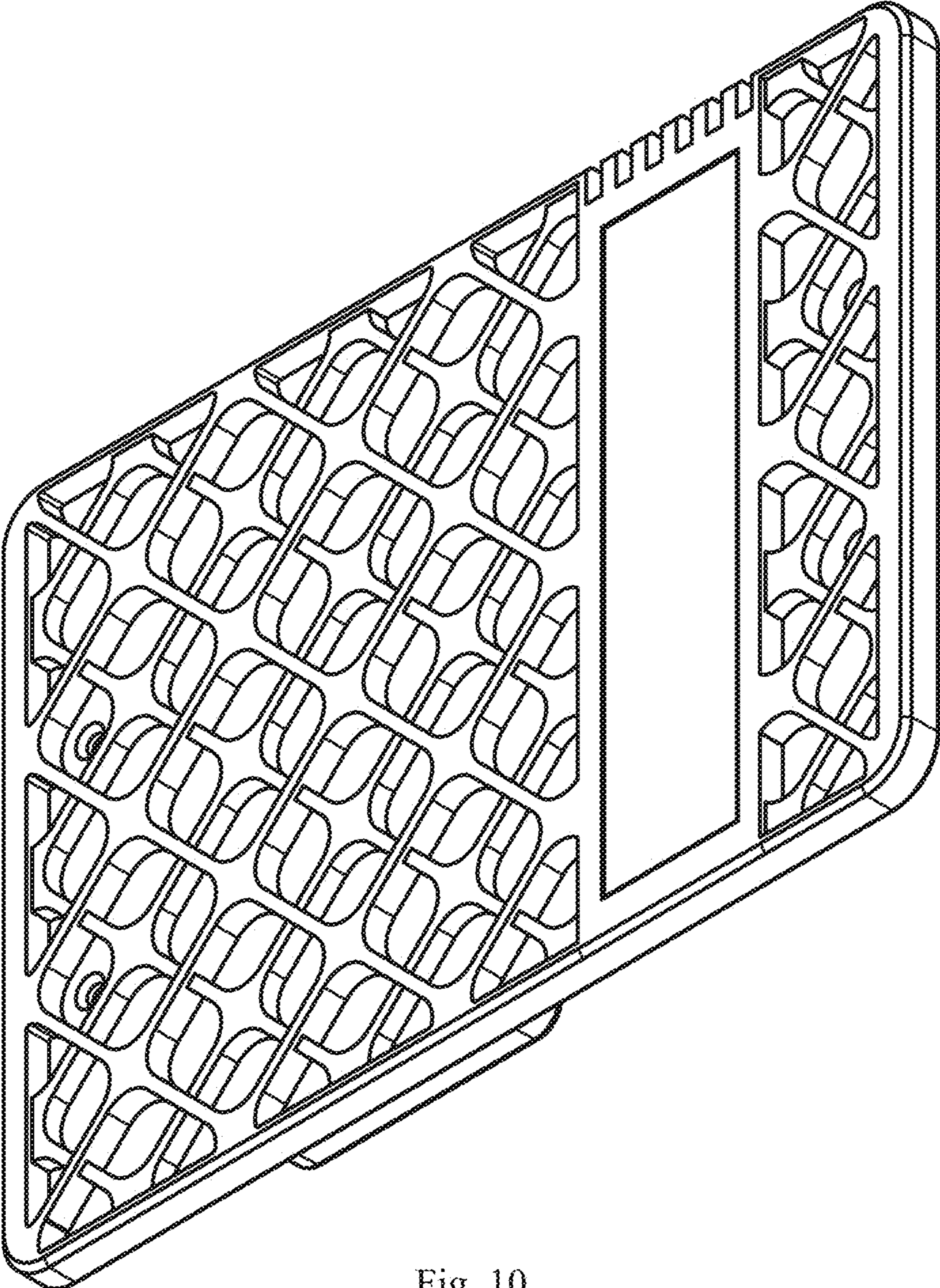


Fig. 10

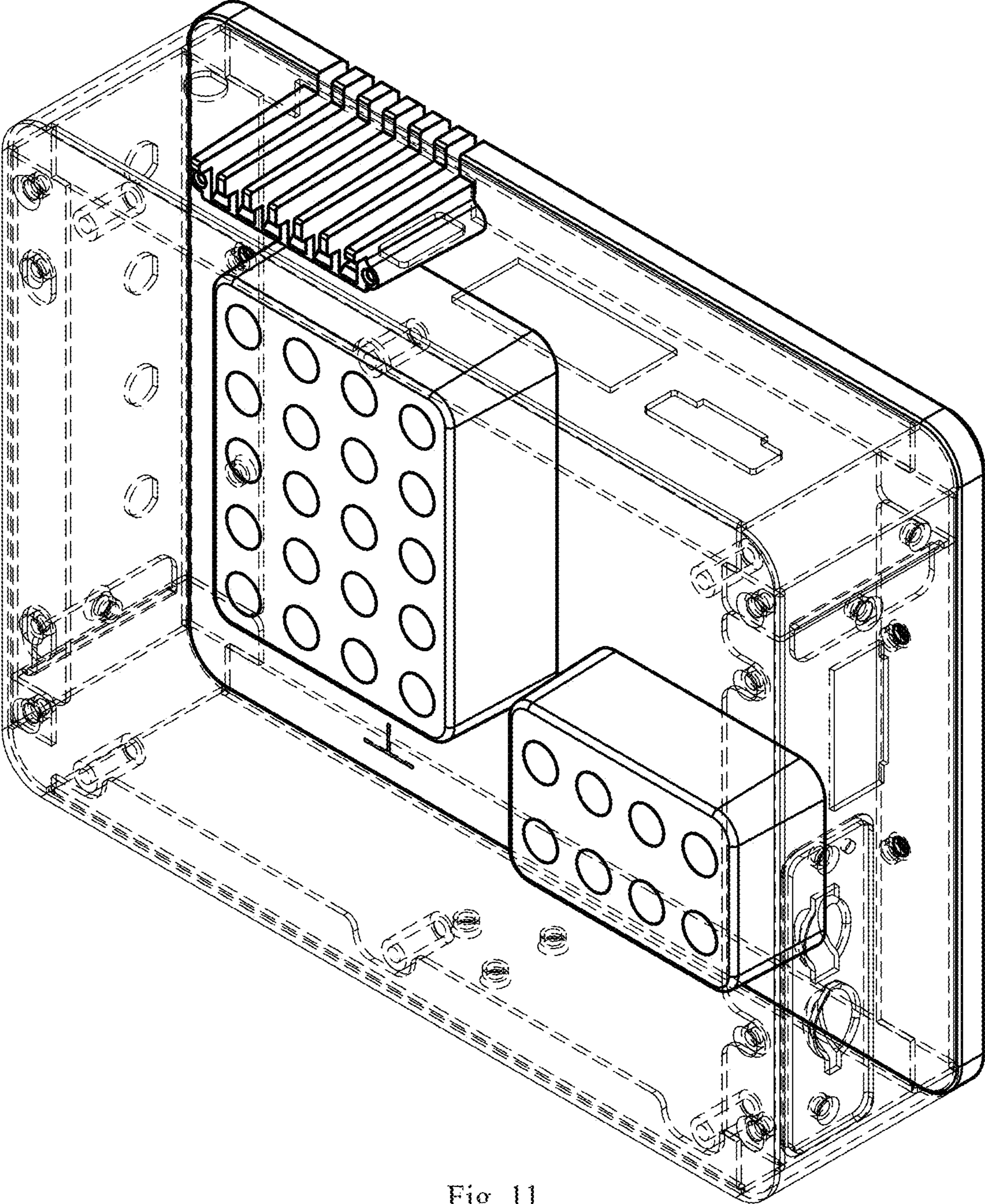


Fig. 11

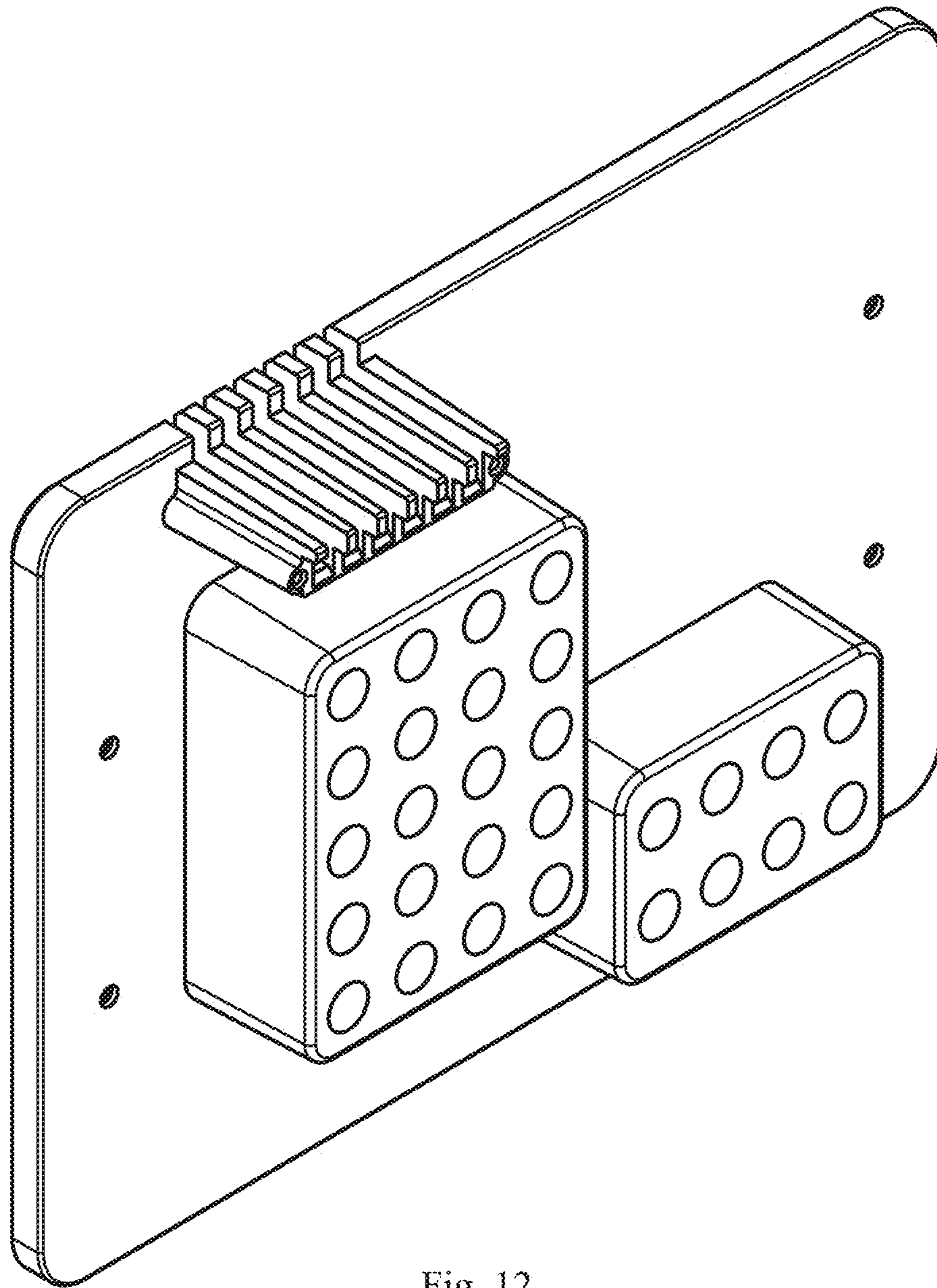


Fig. 12

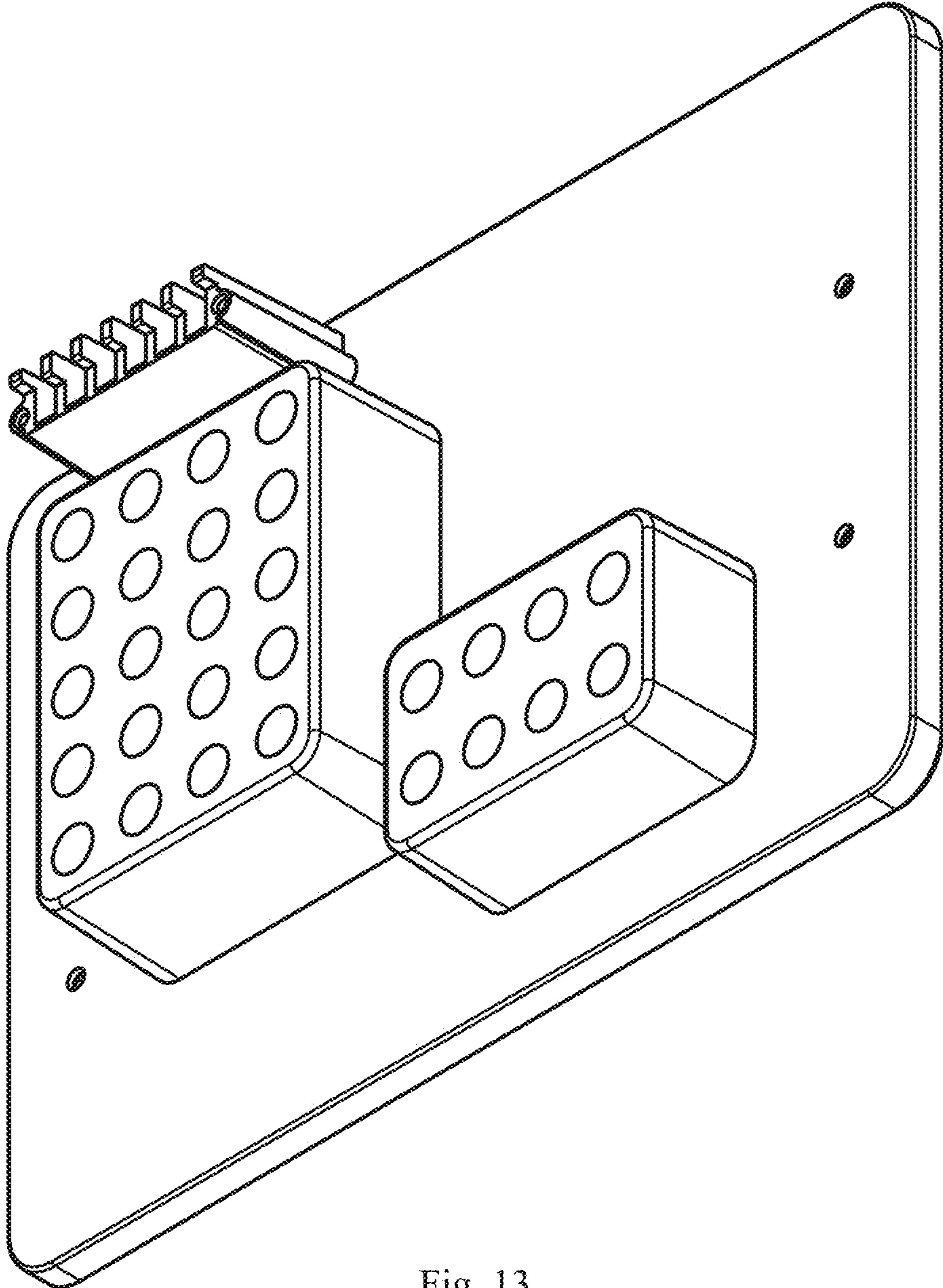


Fig. 13

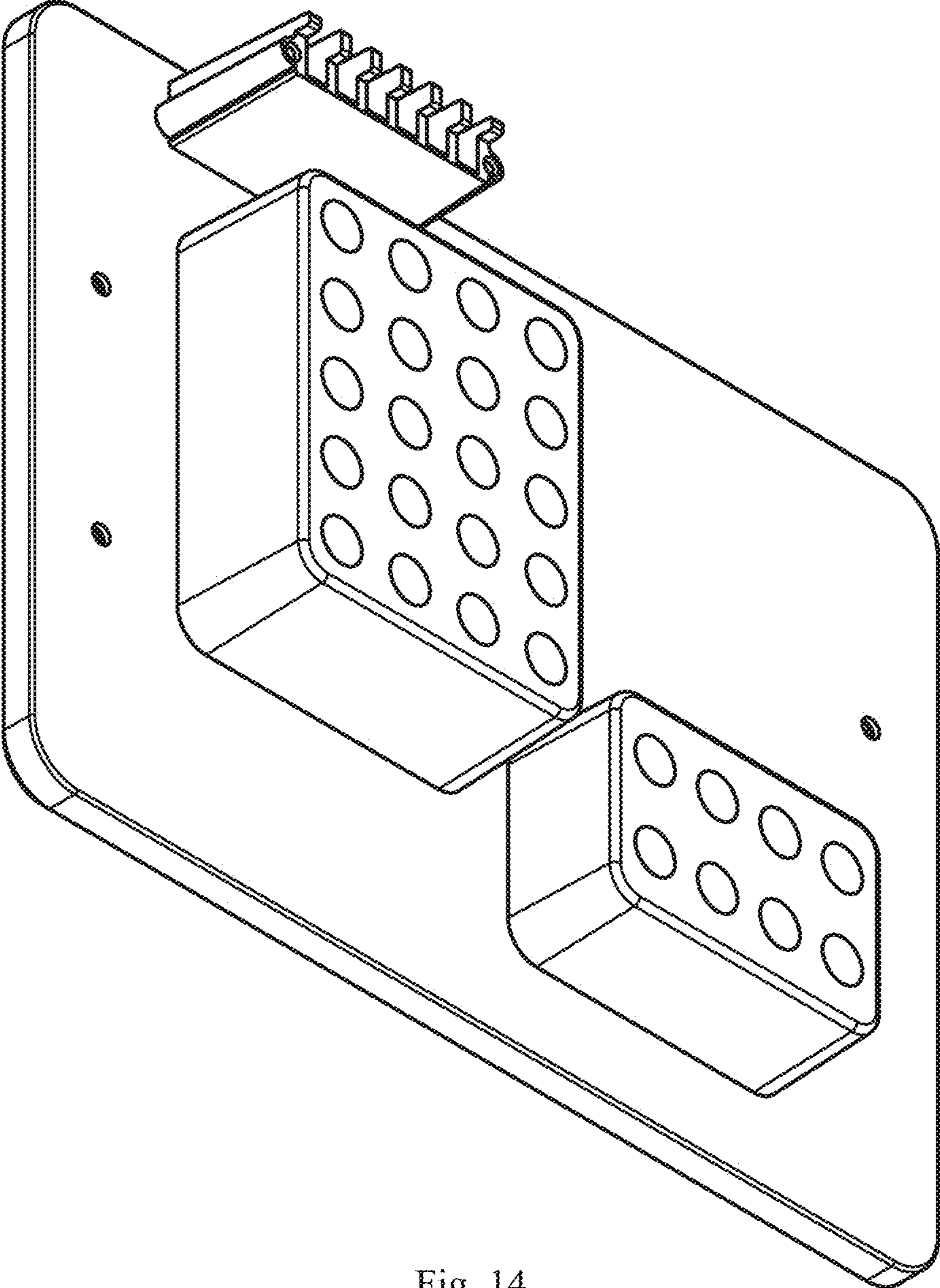


Fig. 14

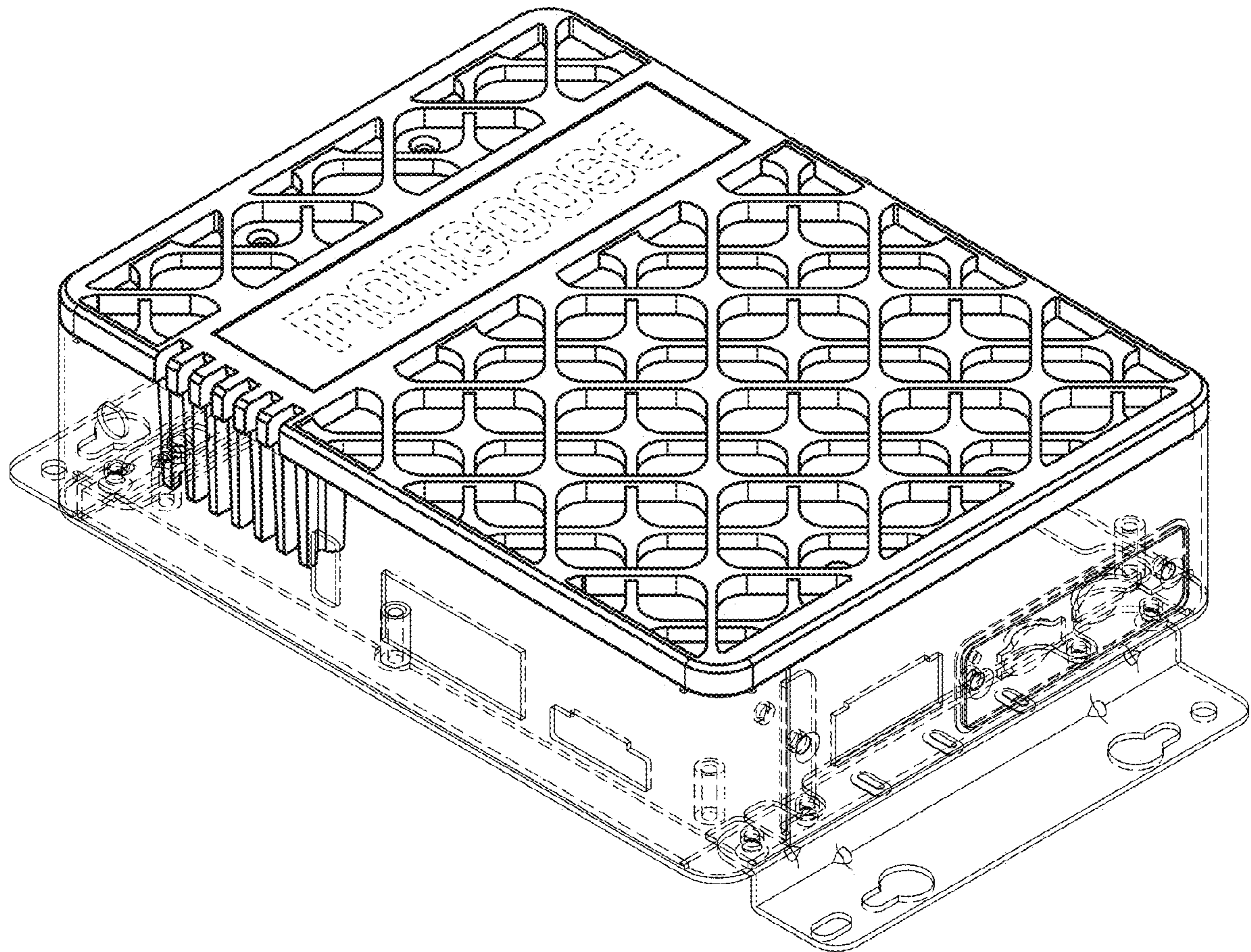


Fig. 15