



US00D979545S

(12) **United States Design Patent** (10) **Patent No.:** **US D979,545 S**
Chen et al. (45) **Date of Patent:** **** Feb. 28, 2023**

(54) **TELEPROMPTER**
(71) Applicant: **SHENZHEN NEEWER TECHNOLOGY CO., LTD.**, Shenzhen (CN)

D339,590 S 9/1993 Zeper
D384,343 S * 9/1997 Yamazaki D14/134
D385,543 S * 10/1997 Phirippidis D14/239
(Continued)

(72) Inventors: **Shuibin Chen**, Shenzhen (CN); **Jun Wang**, Shenzhen (CN); **Yan Ke**, Shenzhen (CN)

FOREIGN PATENT DOCUMENTS
EM 008455638-0001 * 3/2021
EM 009048994-0001 * 6/2022

(73) Assignee: **SHENZHEN NEEWER TECHNOLOGY CO., LTD.**, Shenzhen (CN)

OTHER PUBLICATIONS

Amazon.com _ Glide Gear TMP 750 17_ Professional Video Camera Tablet Teleprompter, first available Apr. 22, 2020 [online], retrieved Jul. 19, 2022, available at URL: <https://a.co/d/4SCOPZ0> (Year: 2020).*

(**) Term: **15 Years**

(Continued)

(21) Appl. No.: **29/833,295**

Primary Examiner — Wendy L Arminio
Assistant Examiner — Carrie S Gelula
(74) *Attorney, Agent, or Firm* — Cheng-Ju Chiang

(22) Filed: **Apr. 2, 2022**

(30) **Foreign Application Priority Data**

(57) **CLAIM**

Mar. 5, 2022 (CN) 202230111012.7

The ornamental design for a teleprompter, as shown and described.

(51) **LOC (14) Cl.** **14-03**

DESCRIPTION

(52) **U.S. Cl.**
USPC **D14/239**

(58) **Field of Classification Search**
USPC D14/128, 239, 251, 253, 447; D6/513; D16/219, 241, 130, 136
CPC G09G 3/20; G09G 5/34; G09G 2340/0492; G09G 2340/0471; H04N 21/4316; H04N 21/47; H04N 5/2253; H04N 5/2222; G06F 3/147
See application file for complete search history.

FIG. 1 is an upper perspective view of a teleprompter;
FIG. 2 is a bottom perspective view of the teleprompter of FIG. 1;
FIG. 3 is a front elevational view thereof;
FIG. 4 is a rear elevational view thereof;
FIG. 5 is a right side elevational view thereof;
FIG. 6 is a left side elevational view thereof;
FIG. 7 is a top plan view thereof;
FIG. 8 is a bottom plan view thereof;
FIG. 9 is a perspective view of the teleprompter of FIG. 1 in a using status; and,
FIG. 10 is a perspective view of the teleprompter of FIG. 1 in another using status.

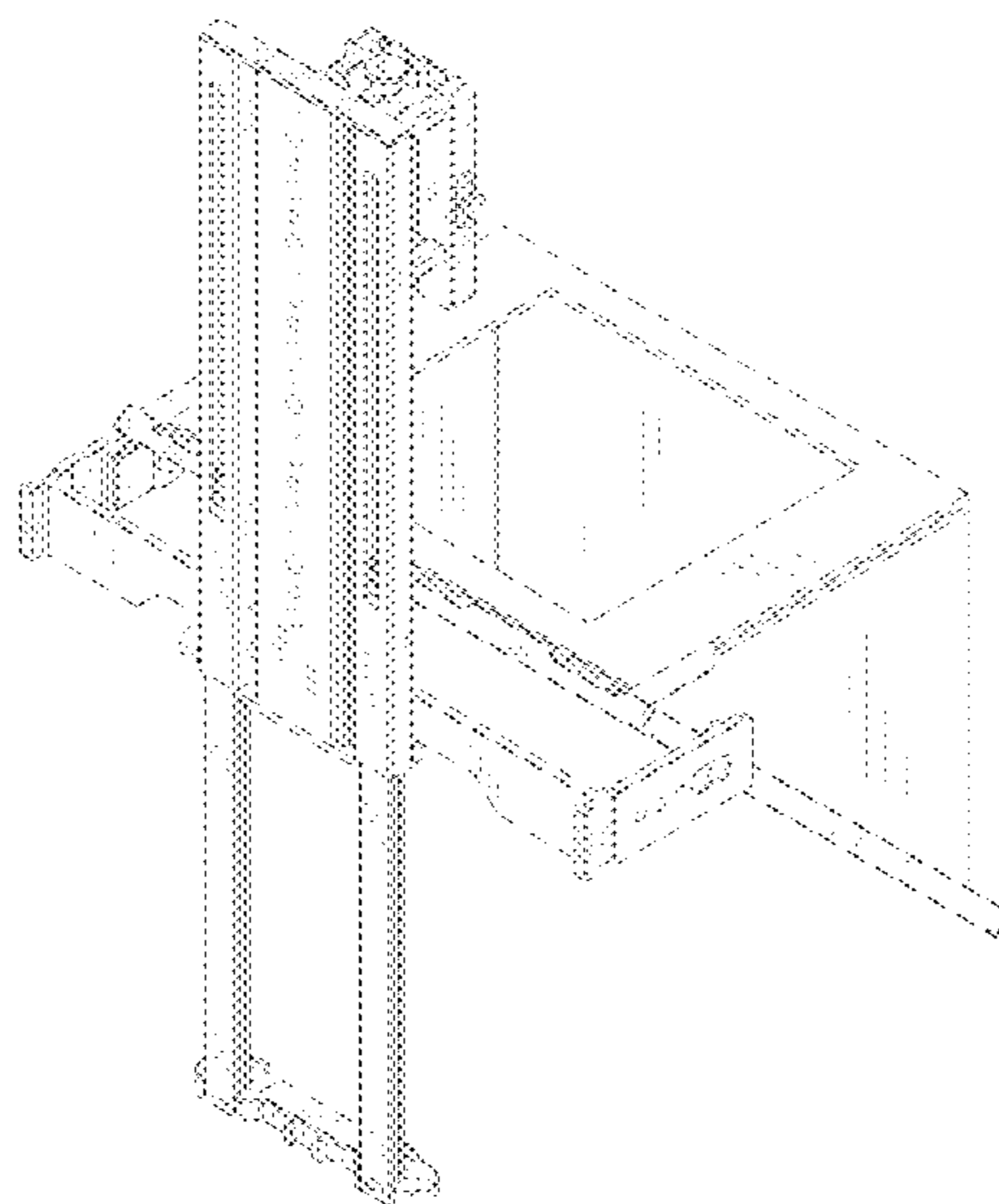
(56) **References Cited**

U.S. PATENT DOCUMENTS

2,494,364 A * 1/1950 Shaw H04N 9/3141 348/E5.143
D265,090 S * 6/1982 Coban D14/128
D267,875 S * 2/1983 Mitchell D14/128

Broken lines are for illustrating portions of the teleprompter which form no part of the claimed design.

1 Claim, 10 Drawing Sheets



(56)

References Cited

U.S. PATENT DOCUMENTS

9,876,945	B2	1/2018	Arce	
10,491,785	B1 *	11/2019	Arnot	H04N 5/2222
D927,582	S *	8/2021	Zeng	D16/237
D944,234	S *	2/2022	Zou	D14/239
D956,028	S *	6/2022	Chen	D16/221
D957,373	S *	7/2022	Wang	D14/239
D958,765	S *	7/2022	Ruan	D14/126
D962,185	S *	8/2022	Ruan	D14/126
2009/0256970	A1	10/2009	Bilbrey et al.	
2014/0016030	A1 *	1/2014	Vito	H04N 5/2252 348/375
2014/0063469	A1	3/2014	Folcik et al.	
2020/0014823	A1	1/2020	Chen	
2021/0278625	A1 *	9/2021	Chen	H04N 5/2252

OTHER PUBLICATIONS

Amazon.com _ ILOKNZI i2_12inch_Black, Lifiable Teleprompter, first available Jun. 29, 2021 [online], retrieved Jul. 19, 2022, available at URL: <https://a.co/d/13oGN29> (Year: 2021).*

* cited by examiner

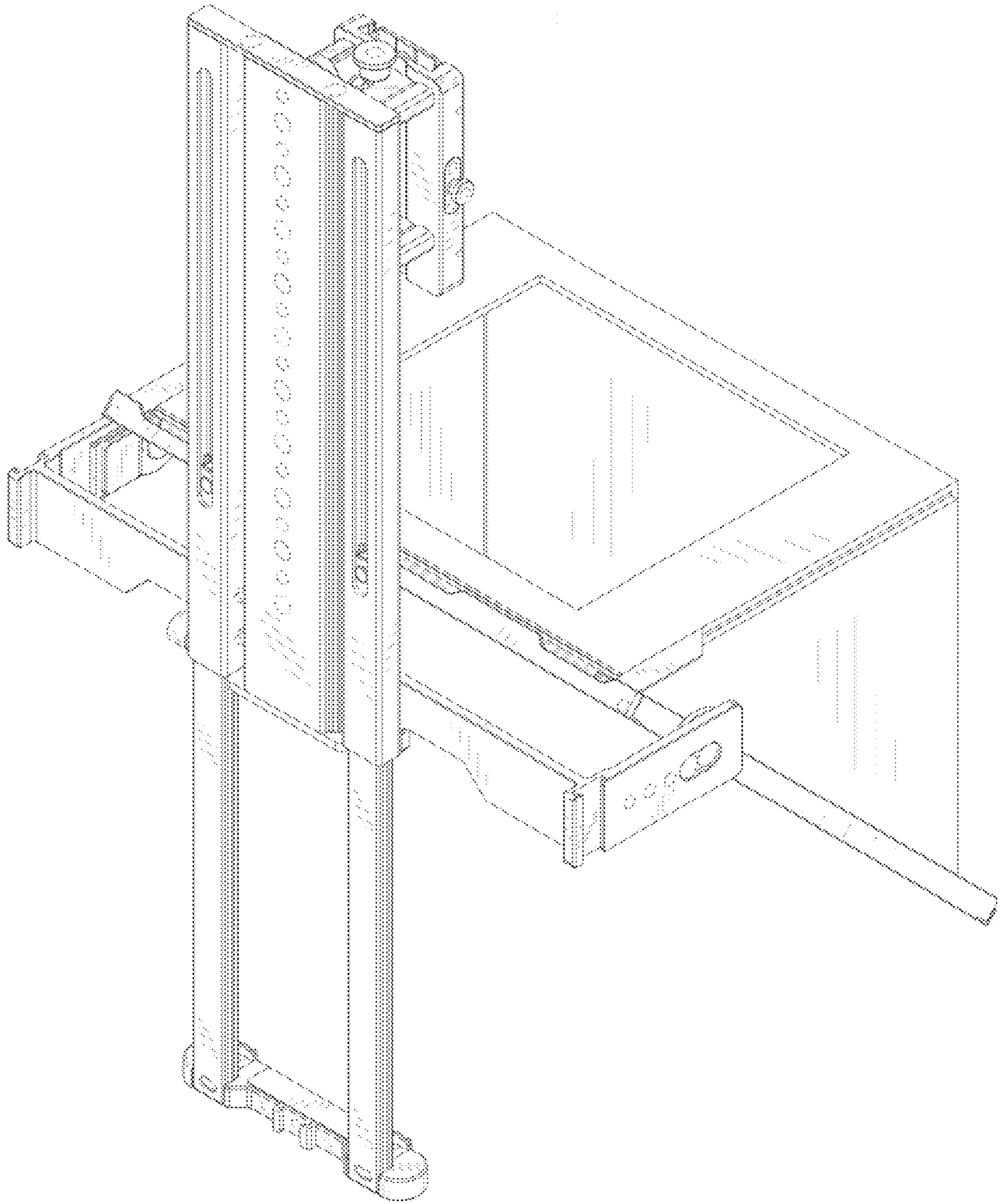


FIG.1

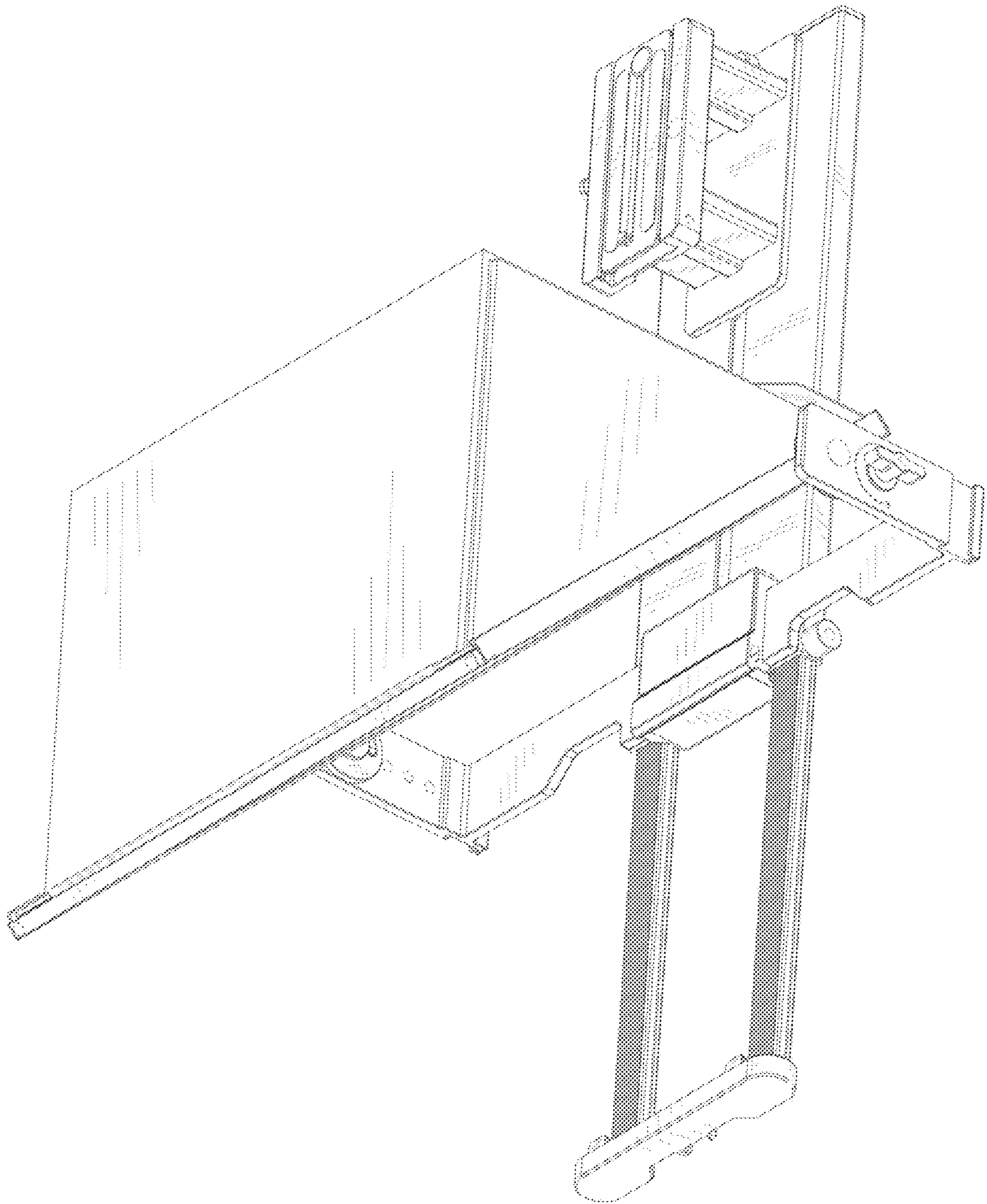


FIG. 2

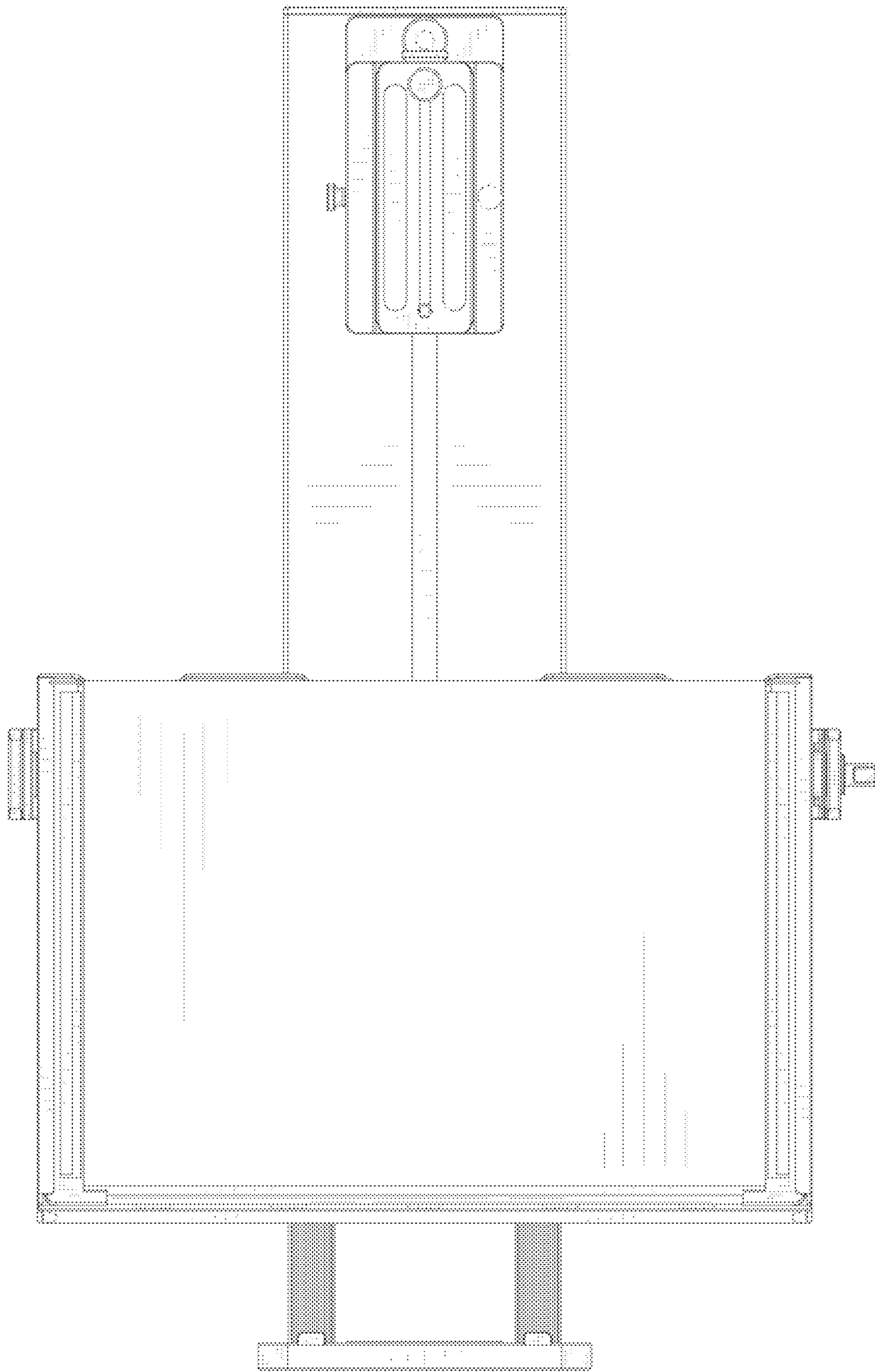


FIG. 3

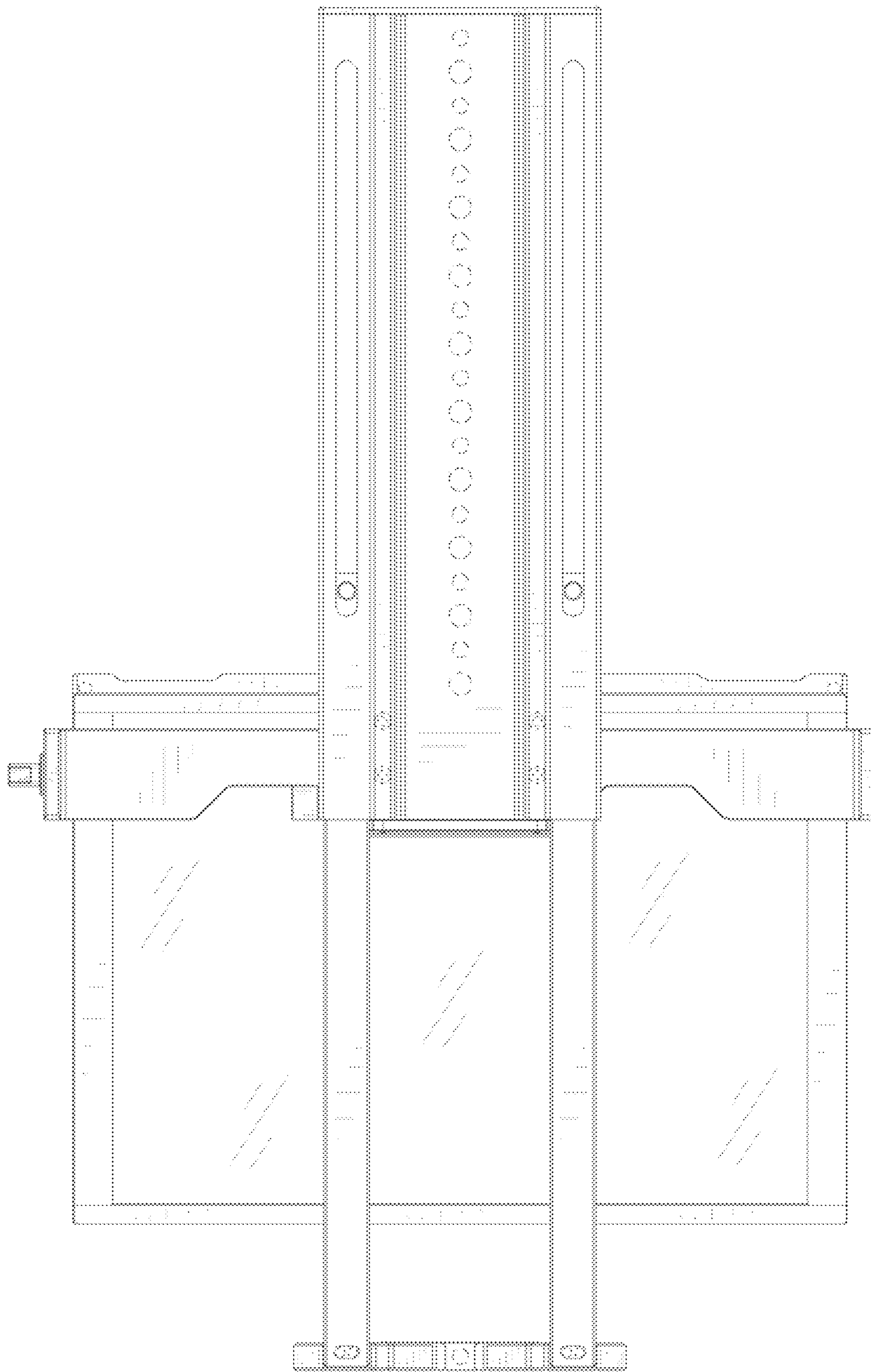


FIG. 4

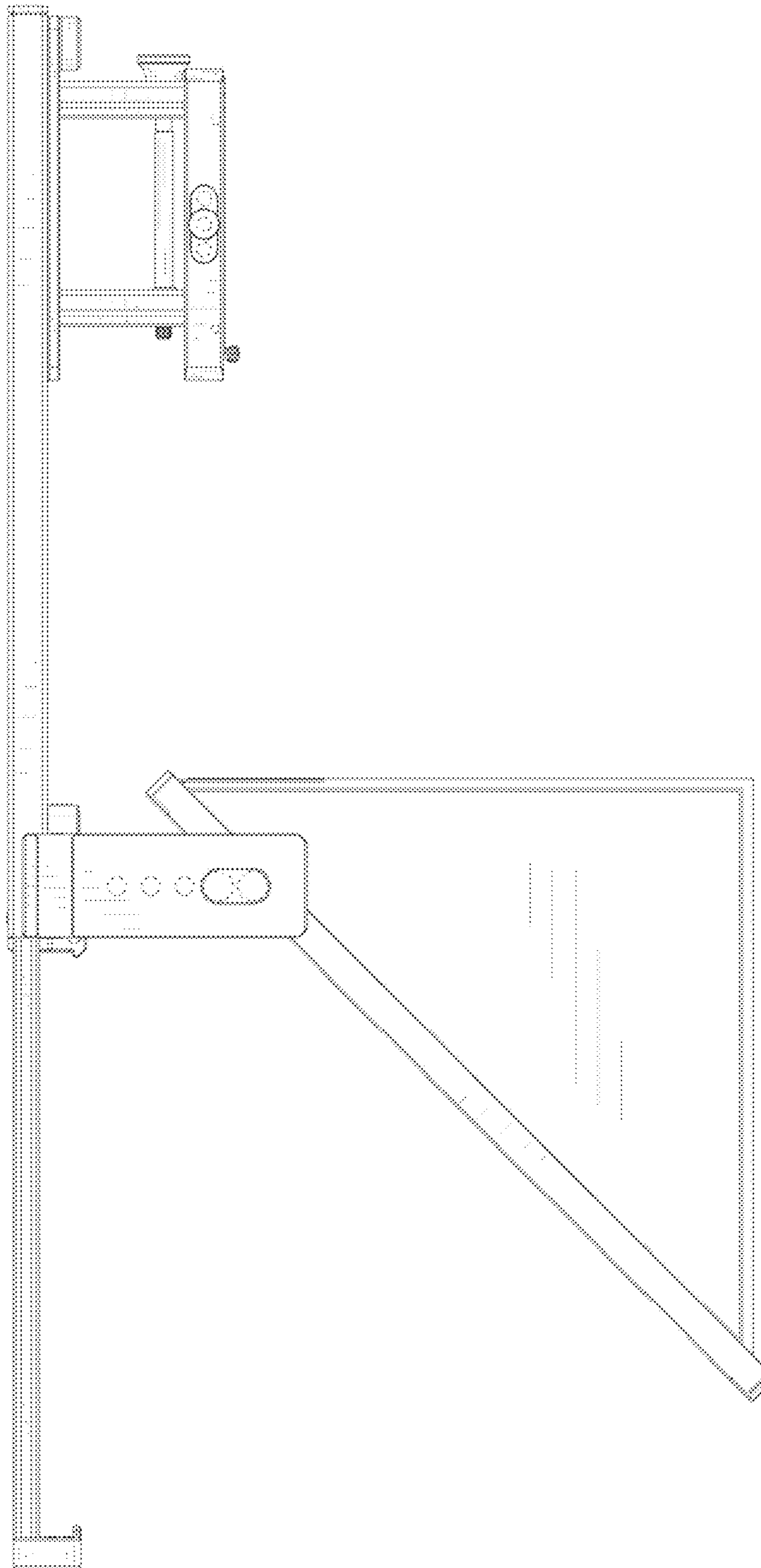


FIG. 5

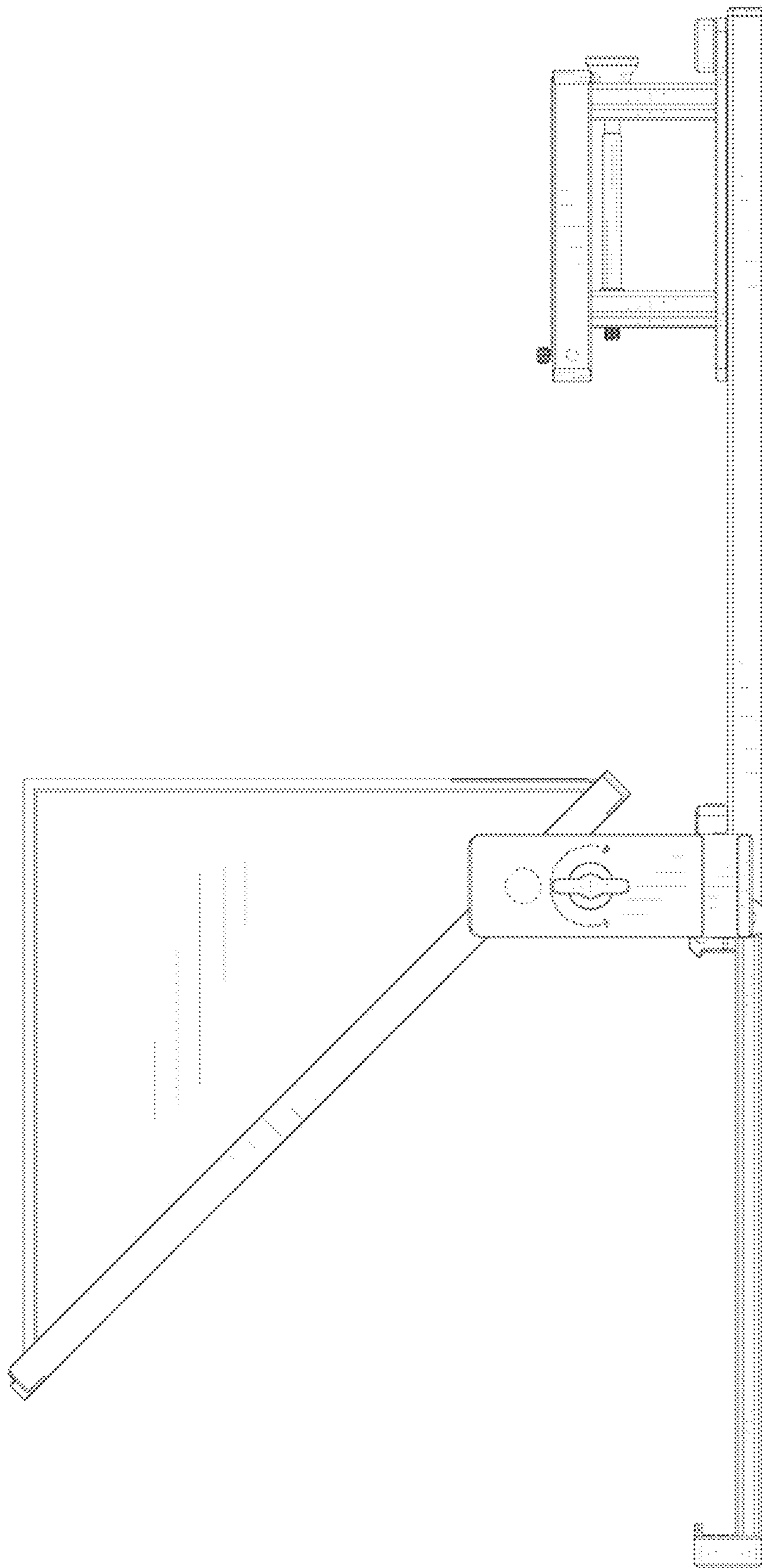


FIG. 6

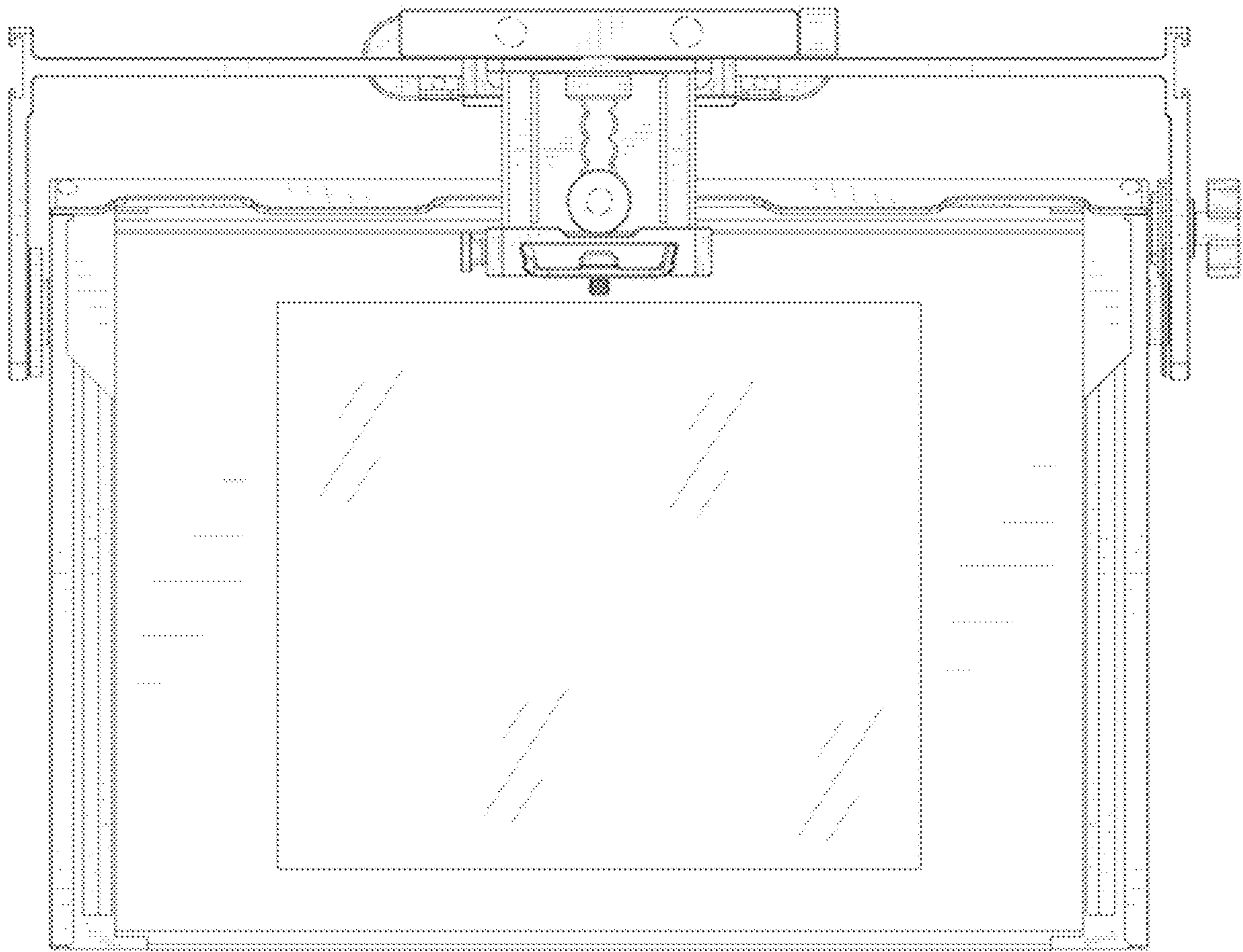


FIG. 7

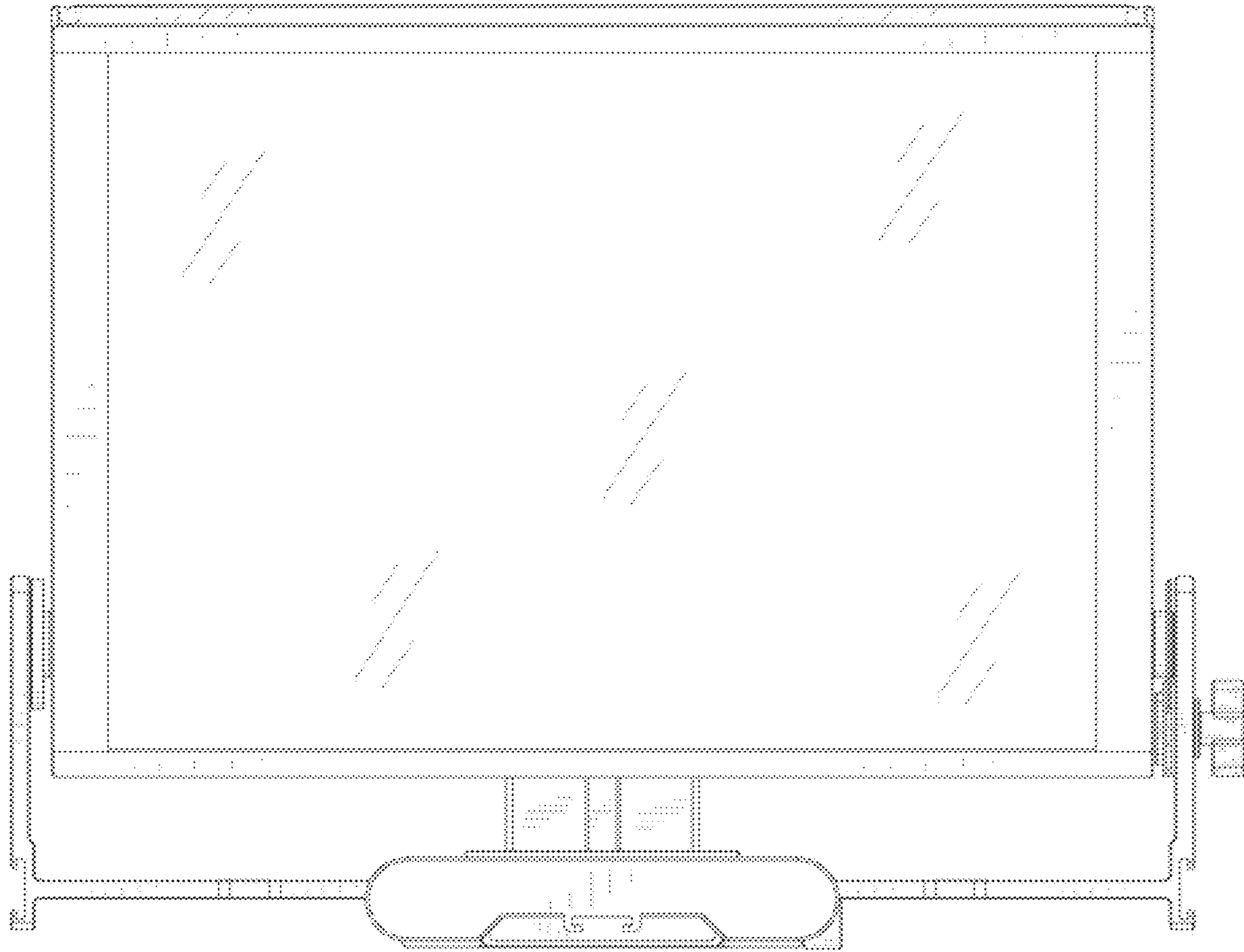


FIG.8

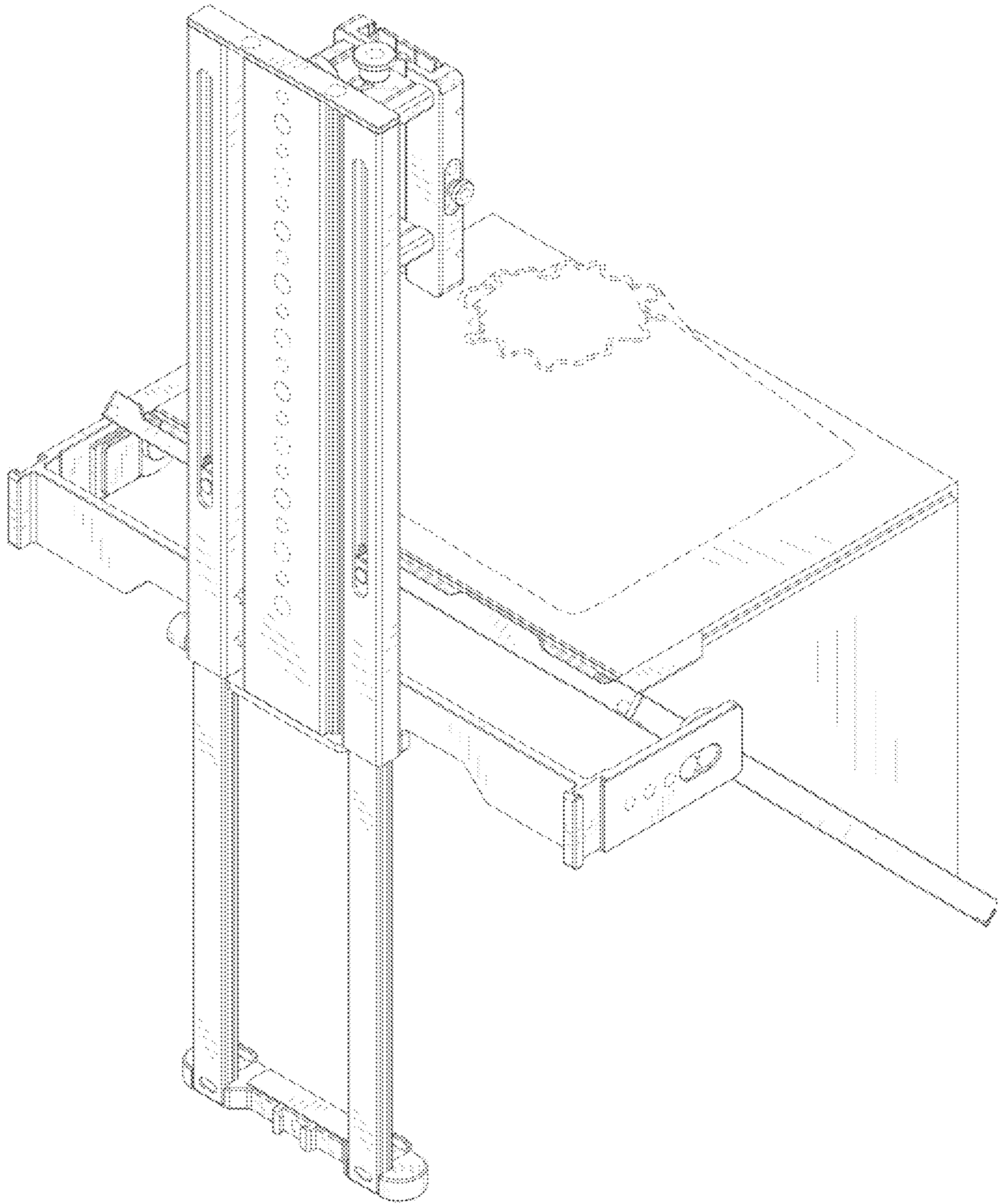


FIG. 9

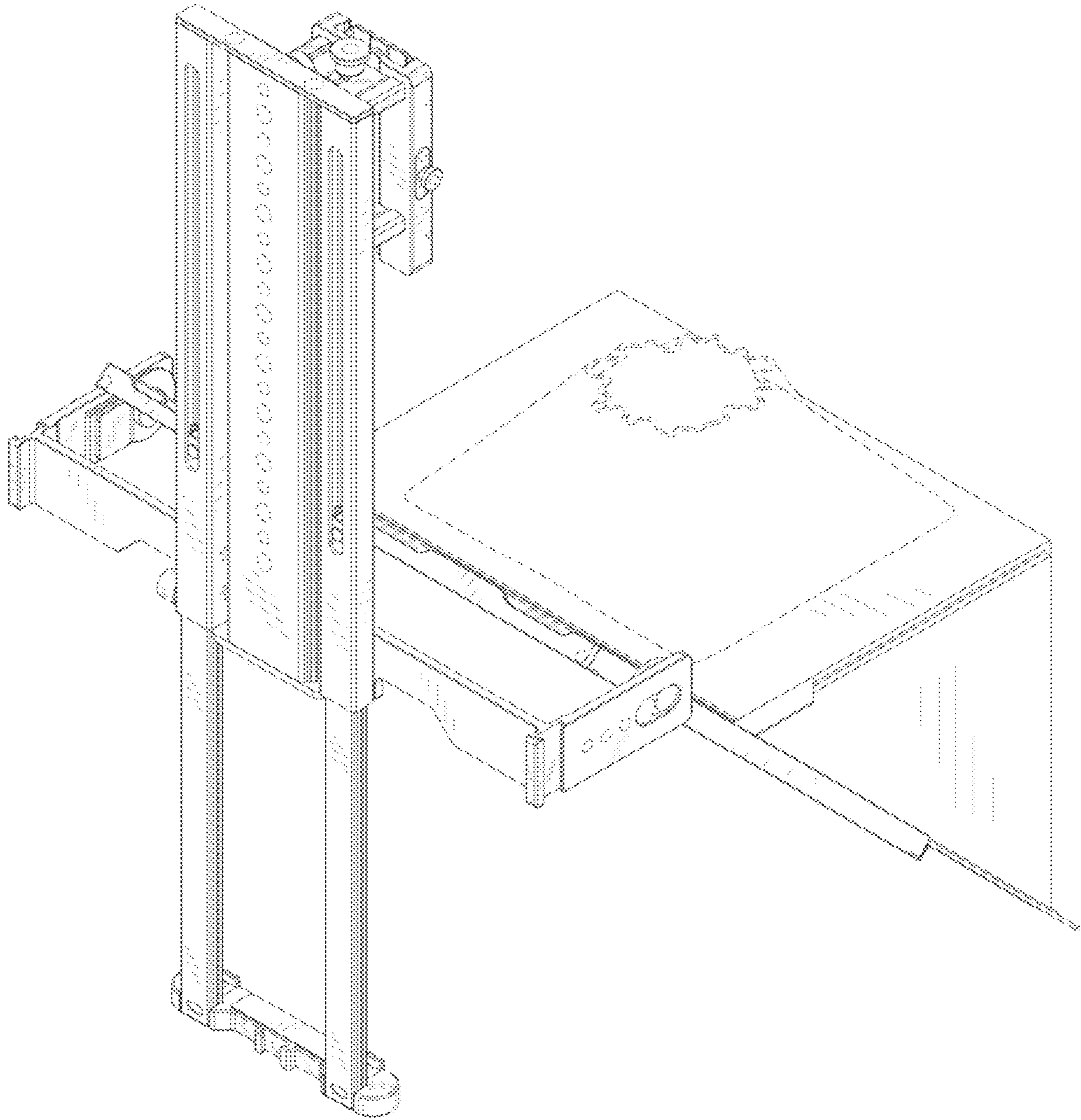


FIG.10