



US00D979541S

(12) **United States Design Patent**
Blyth et al.

(10) **Patent No.:** **US D979,541 S**

(45) **Date of Patent:** **** Feb. 28, 2023**

(54) **RADAR HOUSING**

(71) Applicant: **FLIR Belgium BVBA**, Meer (BE)

(72) Inventors: **James A. G. Blyth**, Surrey (GB);
Matthew L. Plested, Surrey (GB)

(73) Assignee: **FLIR Belgium BVBA**, Meer (BE)

(**) Term: **15 Years**

(21) Appl. No.: **29/745,908**

(22) Filed: **Aug. 10, 2020**

(51) **LOC (14) Cl.** **14-03**

(52) **U.S. Cl.**
USPC **D14/230**

(58) **Field of Classification Search**

USPC D14/218, 18, 230–238, 299, 358, 201,
D14/214; D10/65–70
CPC H01Q 7/00; H01Q 13/01; H01Q 9/285;
H01Q 19/30; H01Q 19/12; H01Q 1/38;
H01Q 1/36; H04B 1/034; H04B 1/0475;
H05K 11/00

See application file for complete search history.

(56) **References Cited**

U.S. PATENT DOCUMENTS

D326,097 S * 5/1992 Ferrario D14/230
D470,837 S * 2/2003 Tourres D14/230
D527,378 S * 8/2006 Raymond D14/230

(Continued)

FOREIGN PATENT DOCUMENTS

CN 305725431 * 4/2020
CN 306532022 * 5/2021

(Continued)

OTHER PUBLICATIONS

Garmin, “GMR 1224xHD2 Open Array Radar . . .” available at amazon.com, date first available Aug. 28, 2020, site visited Jul. 21, 2022, available at URL: <https://www.amazon.com/Garmin-1224->

Array-Radar-Pedestal/dp/B08KVPWZF5?source=ps-sl-shoppingads-lpcontext&ref_=fplfs&psc=1&smid=AA1H1MNR0CLW8 (Year: 2020).*

(Continued)

Primary Examiner — Daniel J Domino

Assistant Examiner — Samina Vieth

(74) *Attorney, Agent, or Firm* — Haynes and Boone, LLP

(57) **CLAIM**

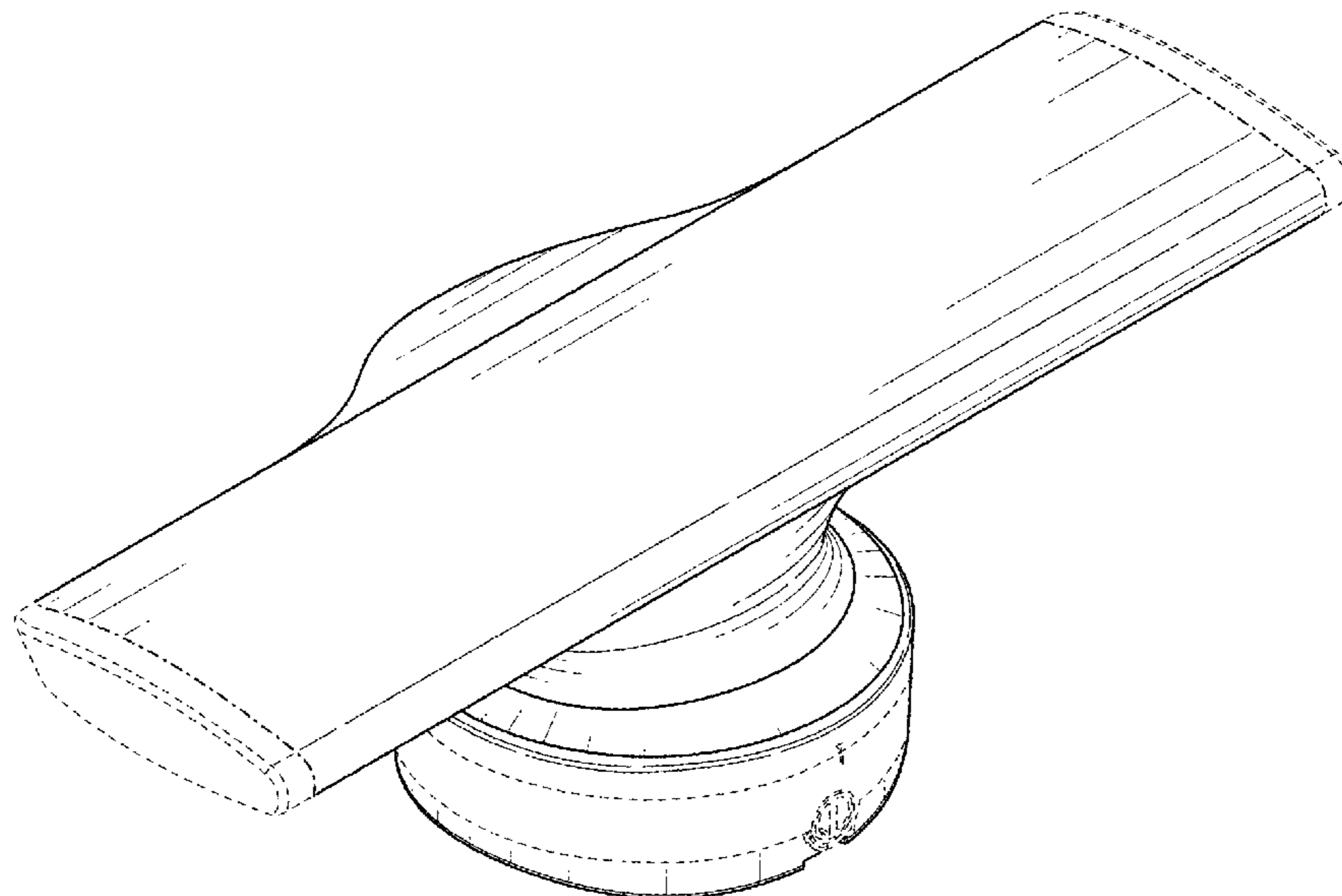
The ornamental design for a radar housing, as shown and described.

DESCRIPTION

FIG. 1 is a front, right, and top perspective view of the radar housing embodying the new design; FIG. 2 is a rear, left, and bottom perspective view thereof; FIG. 3 is a right side view thereof; FIG. 4 is a left side view thereof; FIG. 5 is a top plan view thereof; FIG. 6 is a bottom plan view thereof; FIG. 7 is a front elevational view thereof; FIG. 8 is a rear elevational view thereof; FIG. 9 is a front, right and top perspective view of the radar housing shown in an alternate state of use; FIG. 10 is a rear, left, and bottom perspective view thereof; FIG. 11 is a front elevational view thereof; FIG. 12 is a front, right, and top perspective view of the radar housing shown in an alternate state of use; FIG. 13 is a rear, left, and bottom perspective view thereof; and, FIG. 14 is a front elevational view thereof.

The broken lines in the figures are shown for the purpose of illustrating portions of the radar housing, optional accessories, and/or environmental matter and form no part of the claimed design. The dot-dash broken lines define the bounds of the claimed design and form no part thereof.

1 Claim, 14 Drawing Sheets



(56)

References Cited

U.S. PATENT DOCUMENTS

D554,110	S	*	10/2007	Whiteside	D14/230
D561,744	S	*	2/2008	Whiteside	D14/230
D571,793	S	*	6/2008	Wu	D14/230
D619,126	S	*	7/2010	Lee	D14/230
D670,272	S	*	11/2012	Suzuki	D14/240
D738,868	S	*	9/2015	Scott	D14/230
D743,943	S	*	11/2015	Kim	D14/218
D810,059	S	*	2/2018	Weber	D14/230
D843,357	S	*	3/2019	Young	D14/230
D886,805	S	*	6/2020	Yang	D14/230
D930,628	S	*	9/2021	Wang	D14/230

FOREIGN PATENT DOCUMENTS

JP	D1146939	*	7/2002
JP	D1544634	*	2/2016
JP	D1576783	*	5/2017
JP	D1715786	*	5/2022
KR	300753512.0000	*	7/2014

OTHER PUBLICATIONS

Citiguide, "Raymarine Cyclone vs Raymarine Magnum . . ." available at citimarinestore.com, published on Nov. 29, 2021, site visited Jul. 21, 2022, available at URL: <https://citimarinestore.com/citiguide/raymarine-cyclone-vs-raymarine-magnum-advantages-improvements/> (Year: 2021).*

Garmin, "Support: Marine Radar Basics . . ." available at youtube.com, published on Nov. 12, 2021, site visited Jul. 21, 2022, available at URL: https://www.youtube.com/watch?v=IH_zRBzXqgs (Year: 2021).*

Simrad, "Halo3 Open Array Radar . . .", available at amazon.com, date first available Jun. 23, 2015, site visited Jul. 21, 2022, available at URL:<https://a.co/d/8vRKza5> (Year: 2015).*

Furuno Marine Electronics, "How to Choose Radar!", available at youtube.com, date published May 12, 2021, site visited Jul. 21, 2021, available at URL: <https://www.youtube.com/watch?v=5hTFGCUxmNQ> (Year: 2021).*

* cited by examiner

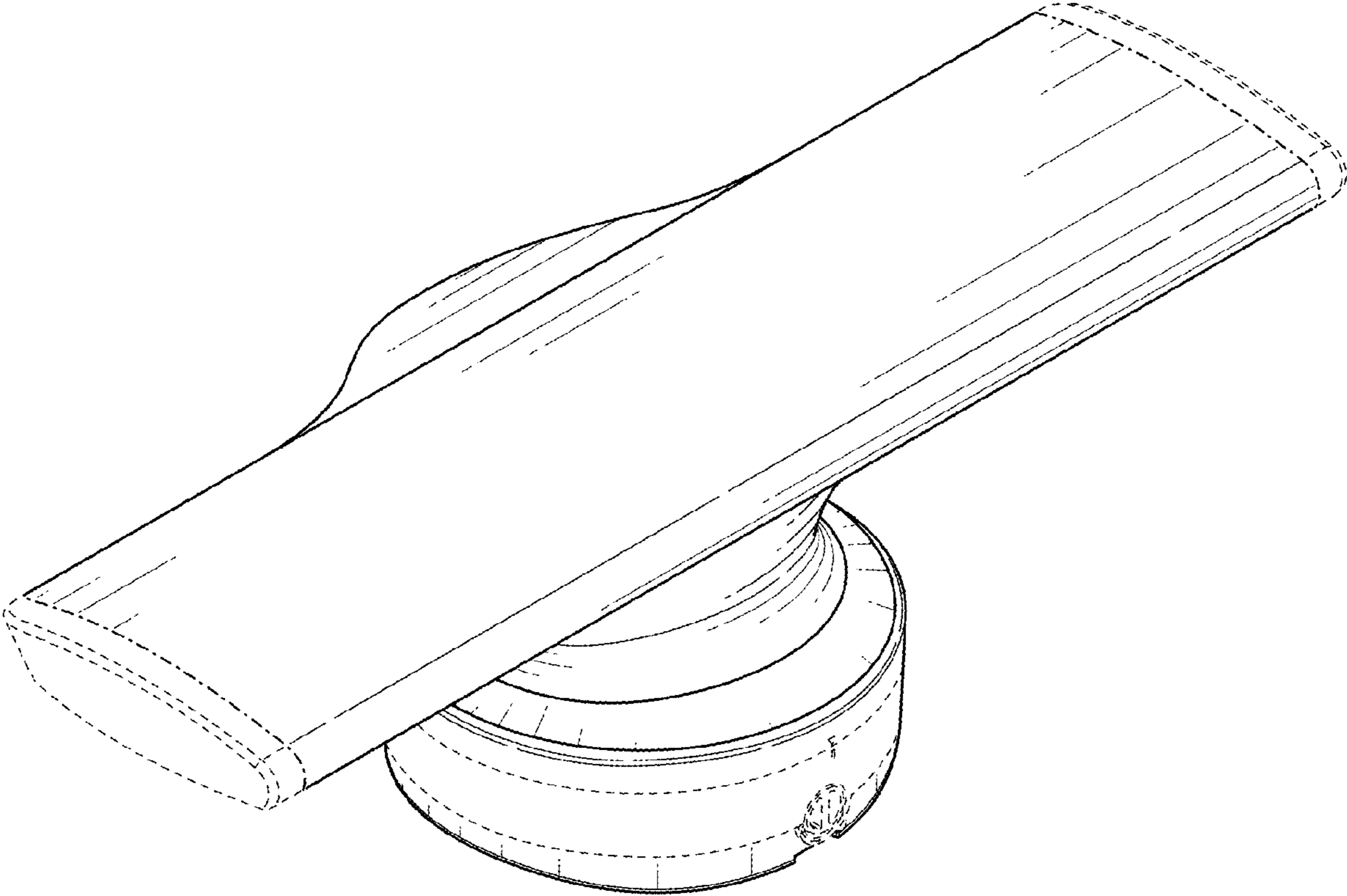


FIG. 1

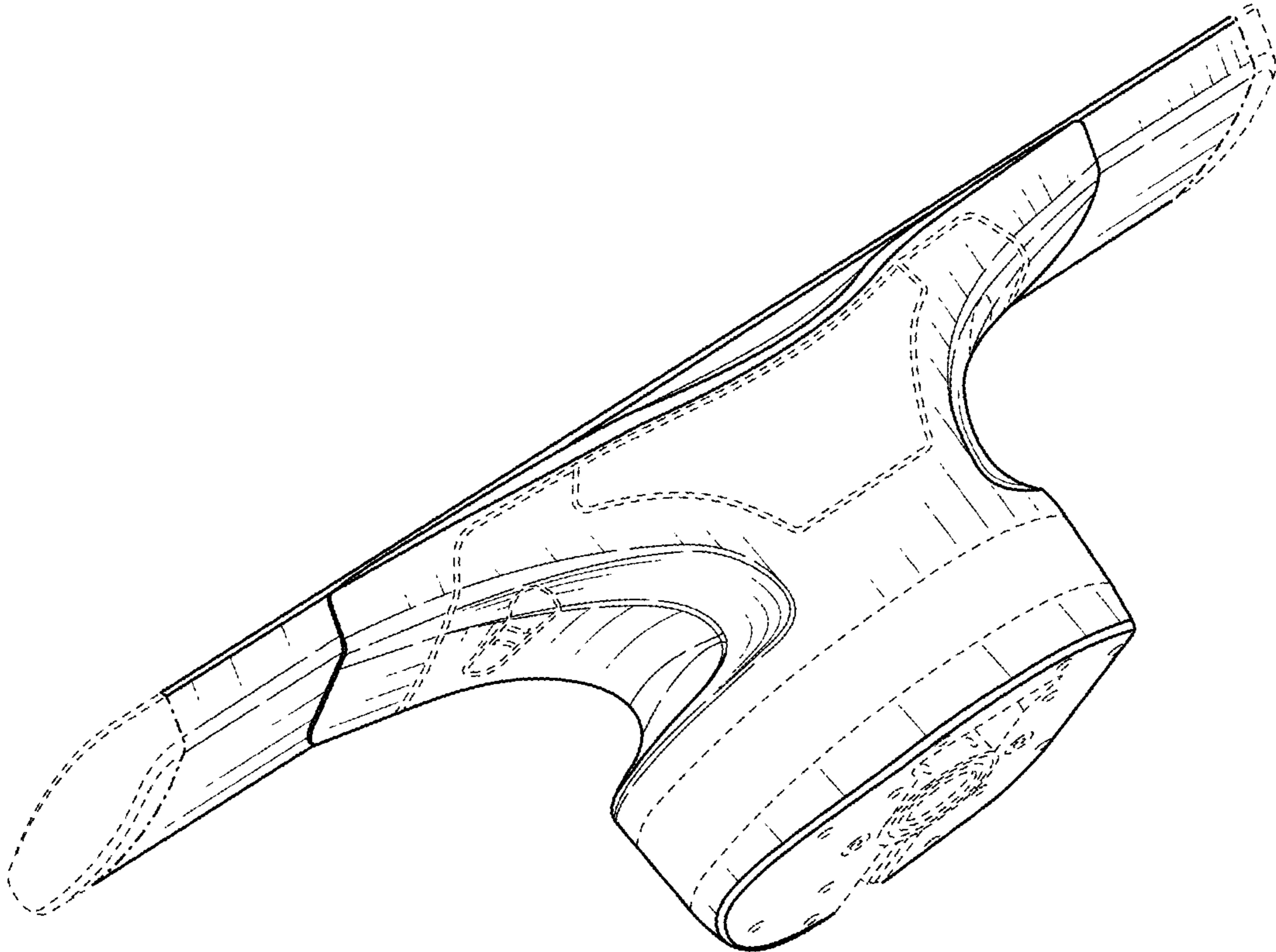


FIG. 2

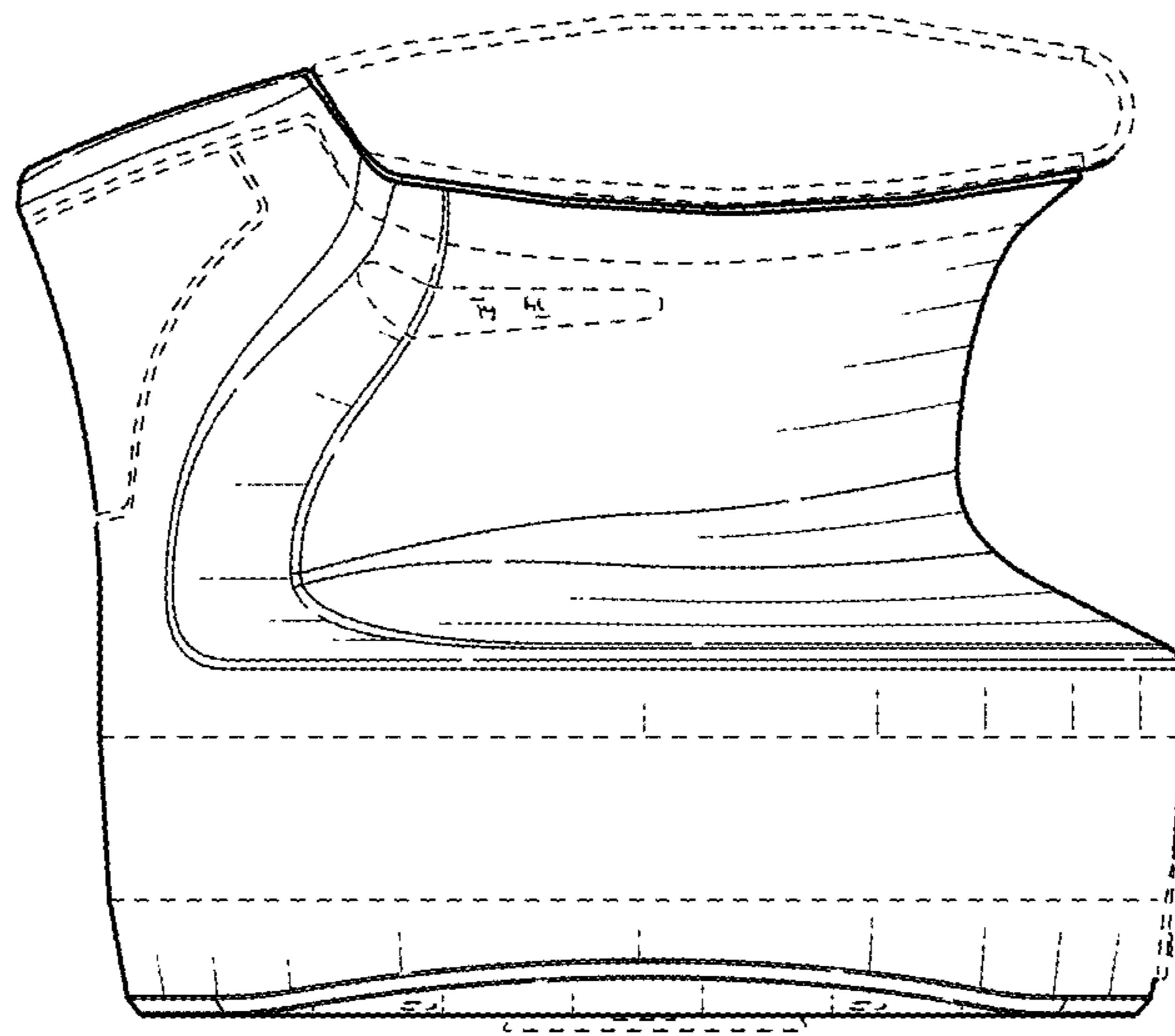


FIG. 3

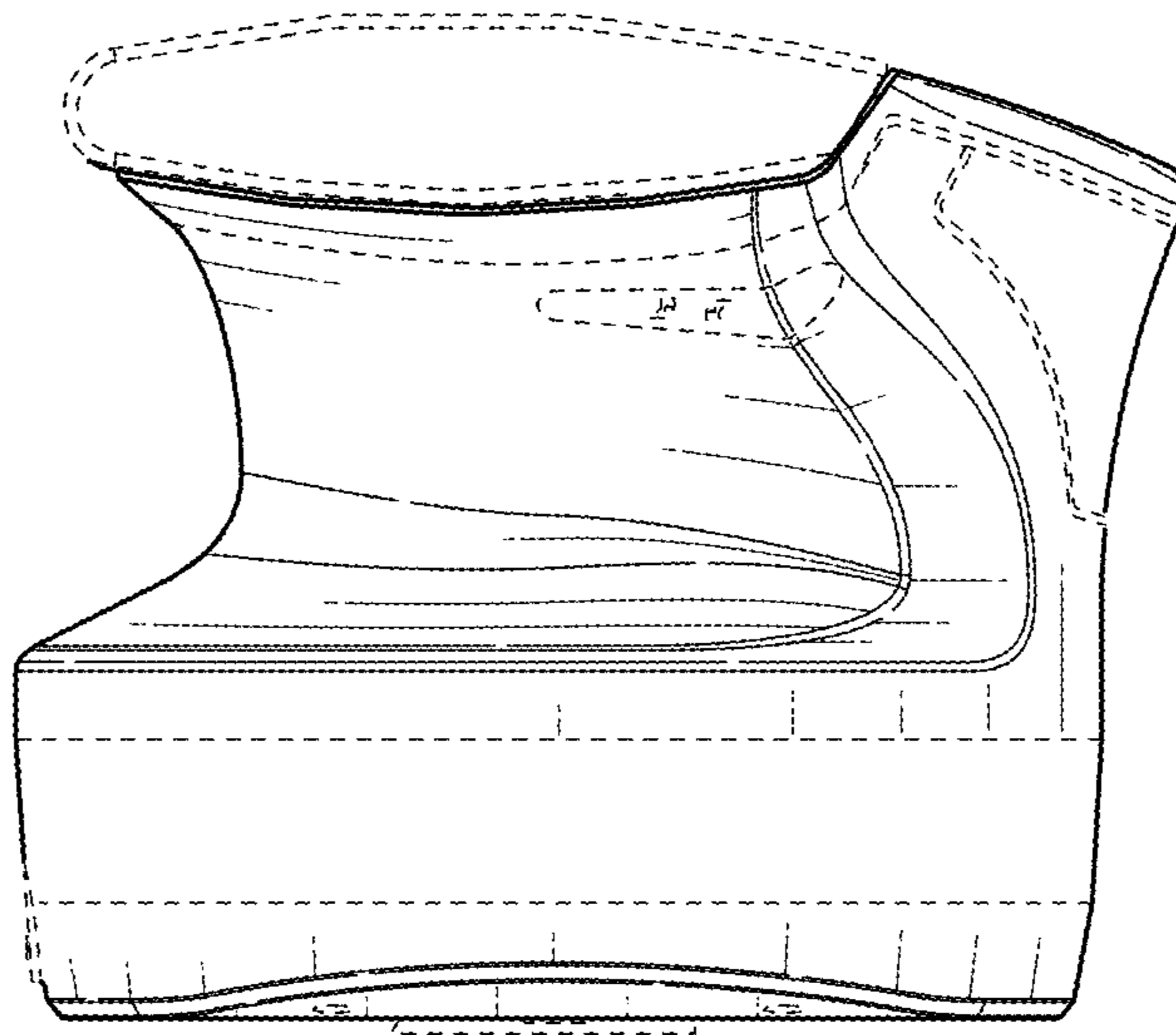


FIG. 4

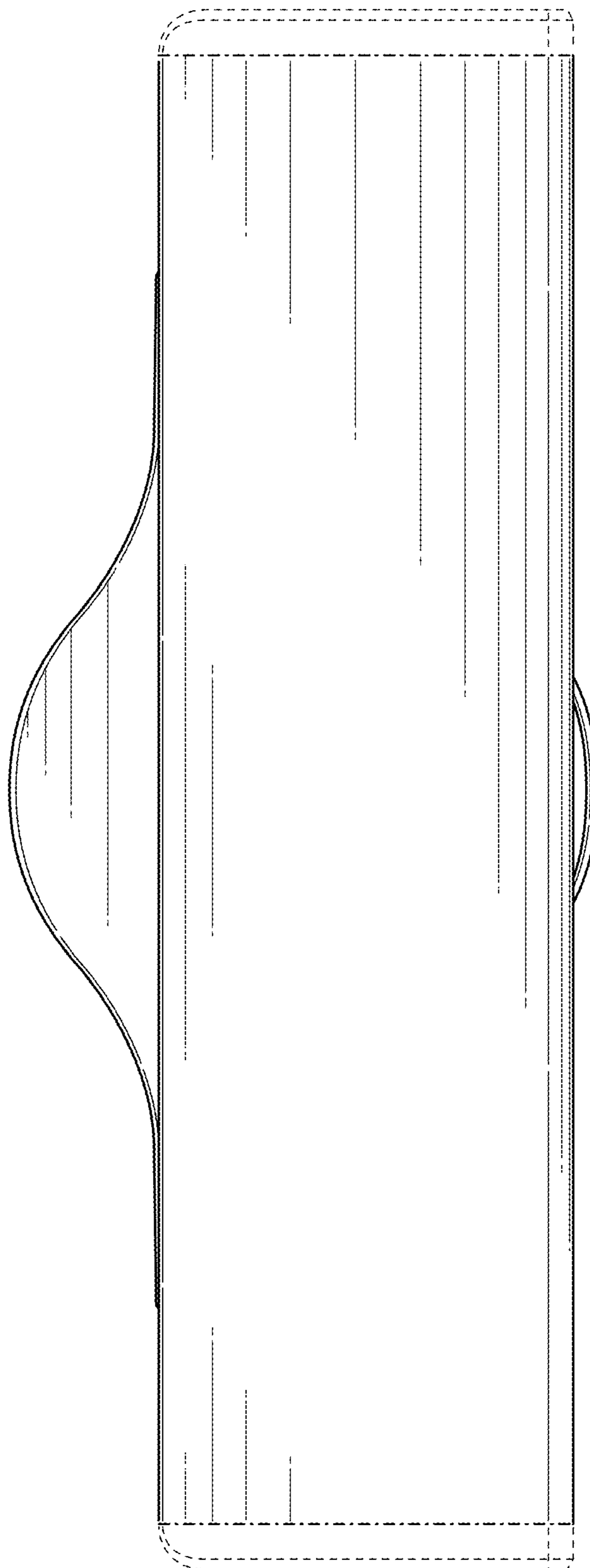


FIG. 5

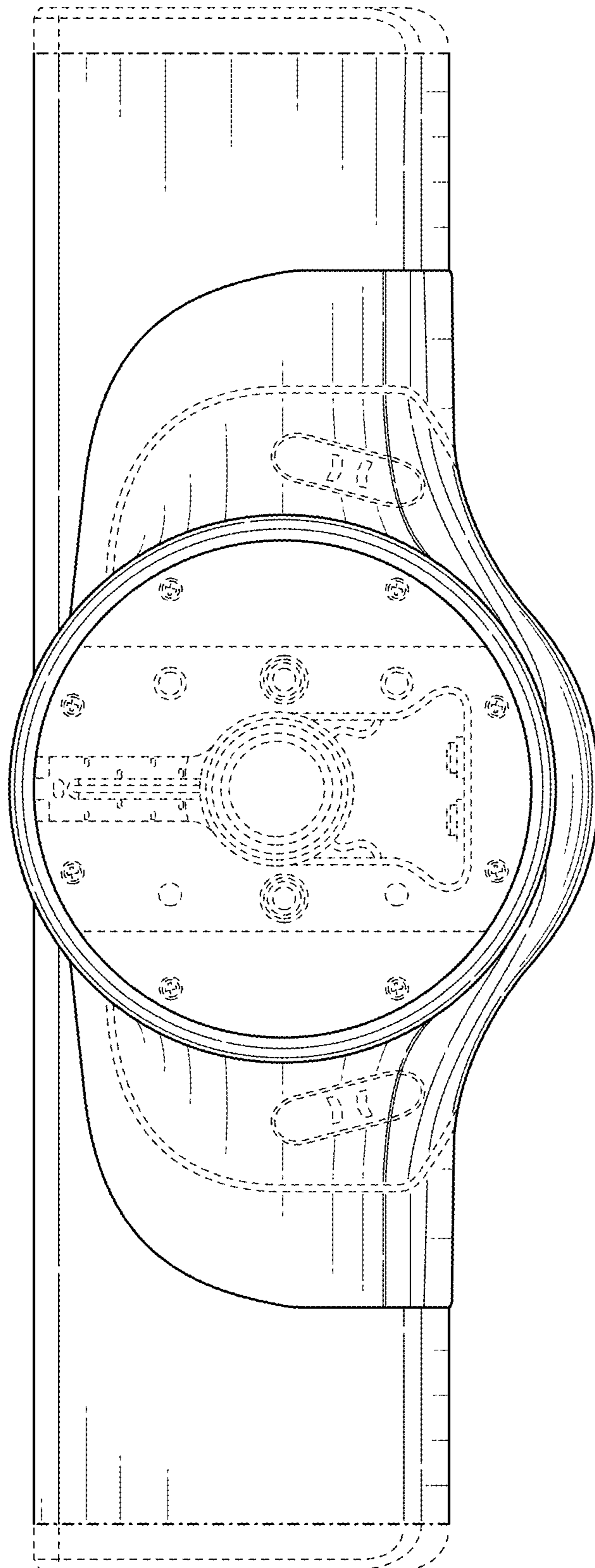


FIG. 6

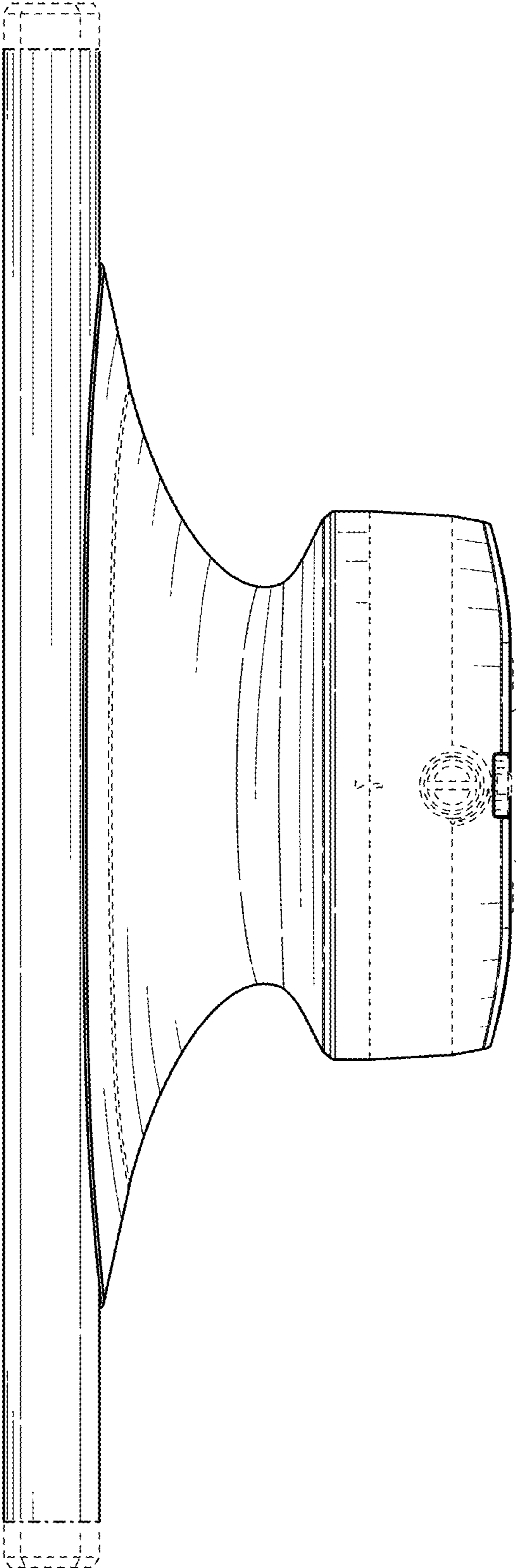


FIG. 7

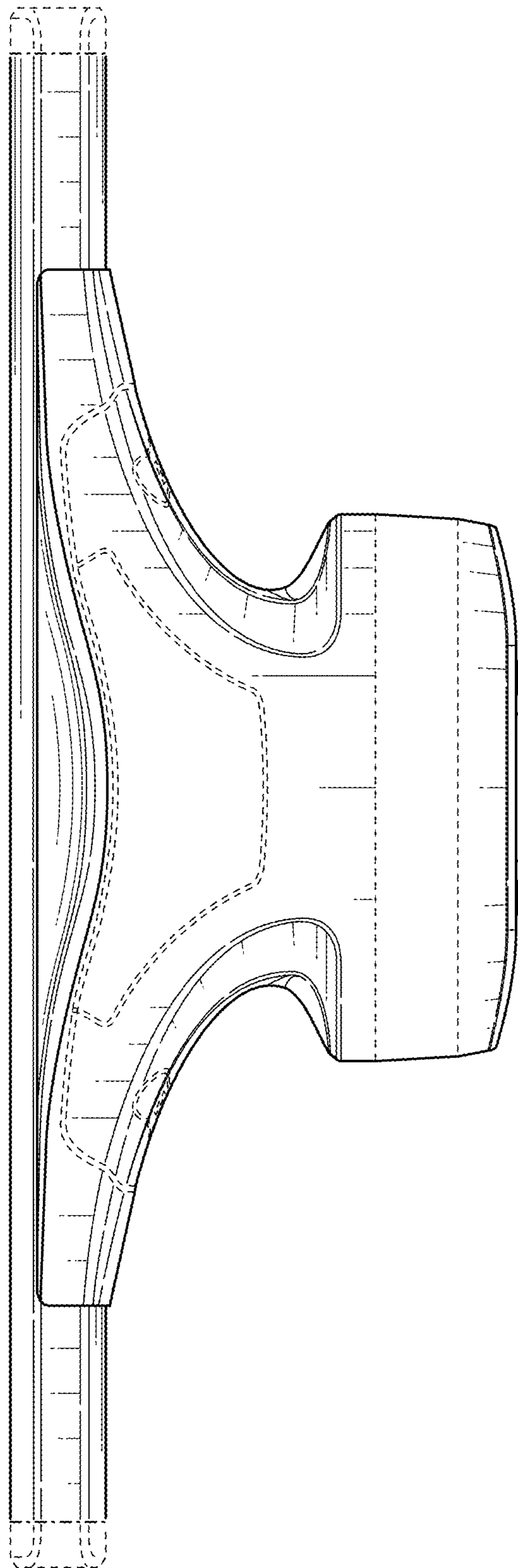


FIG. 8

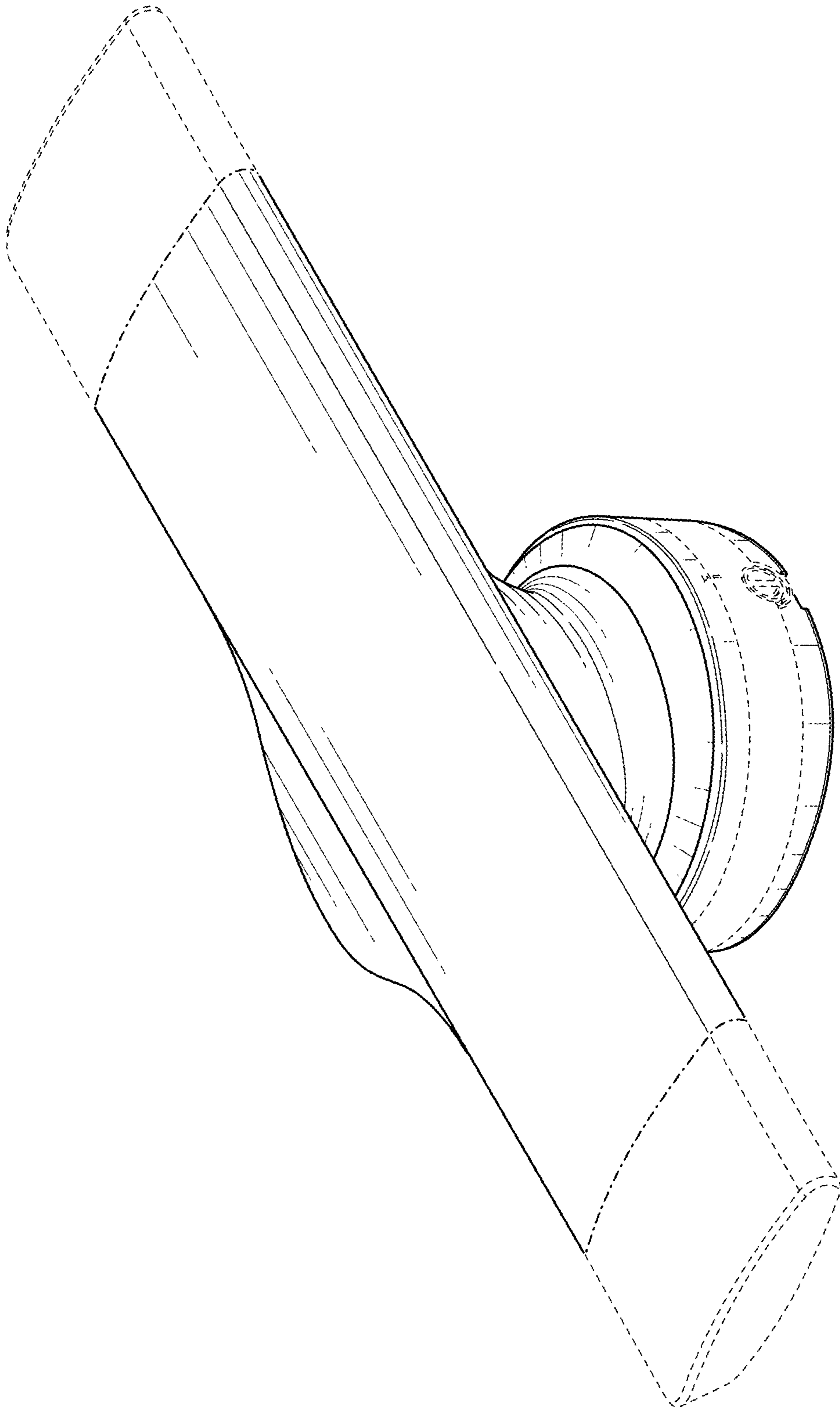


FIG. 9

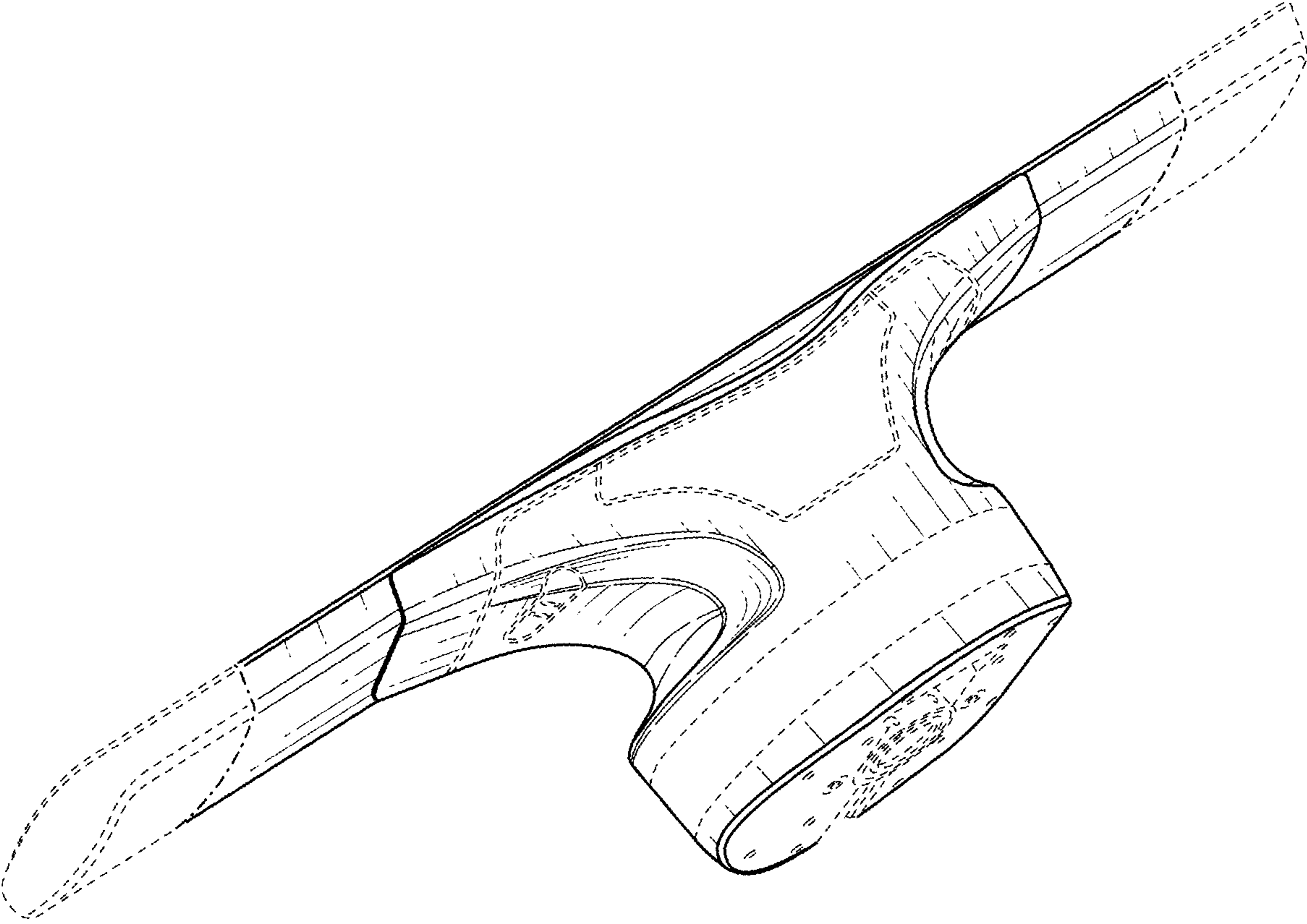


FIG. 10

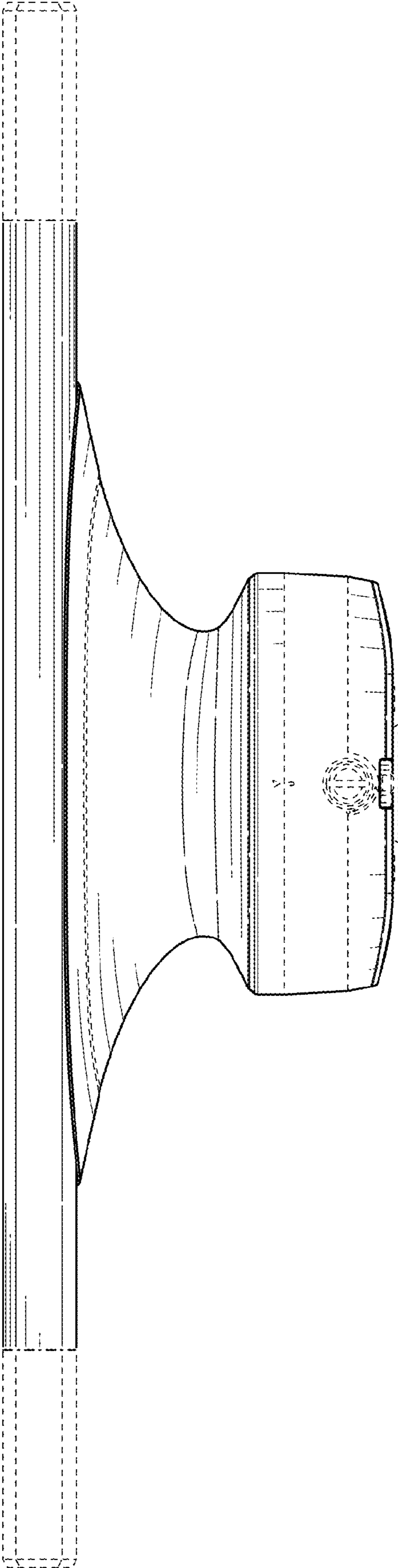


FIG. 11

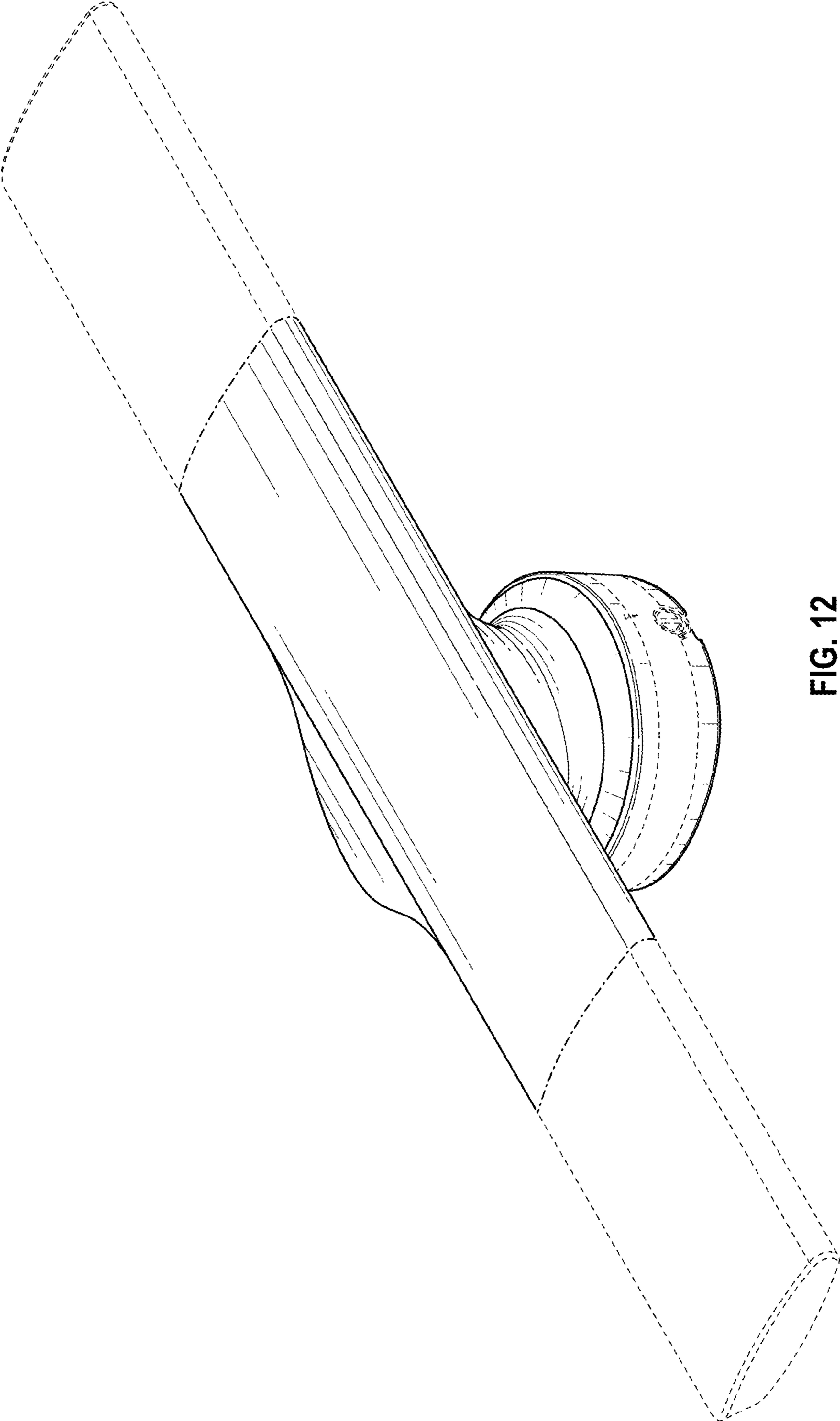


FIG. 12

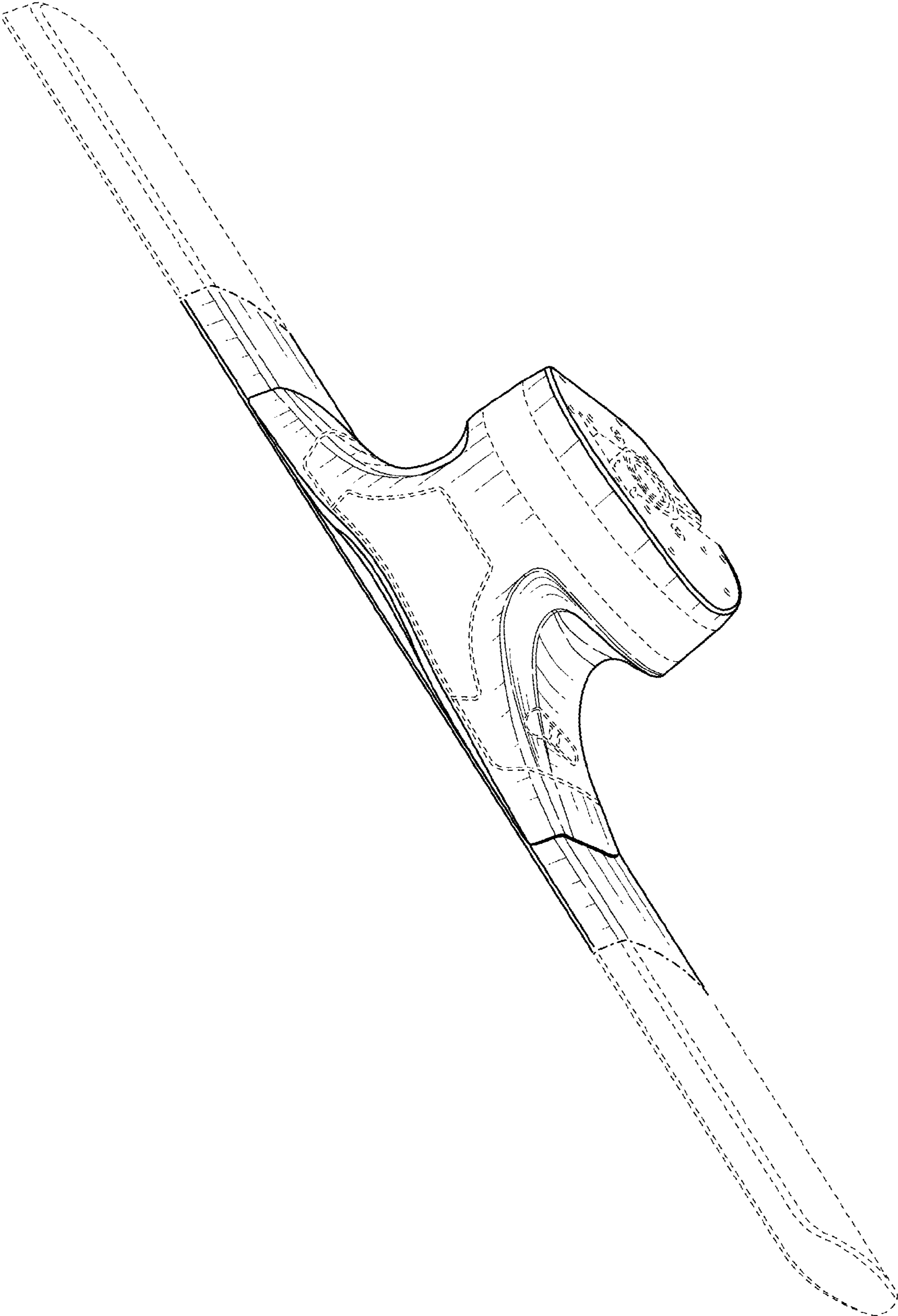


FIG. 13

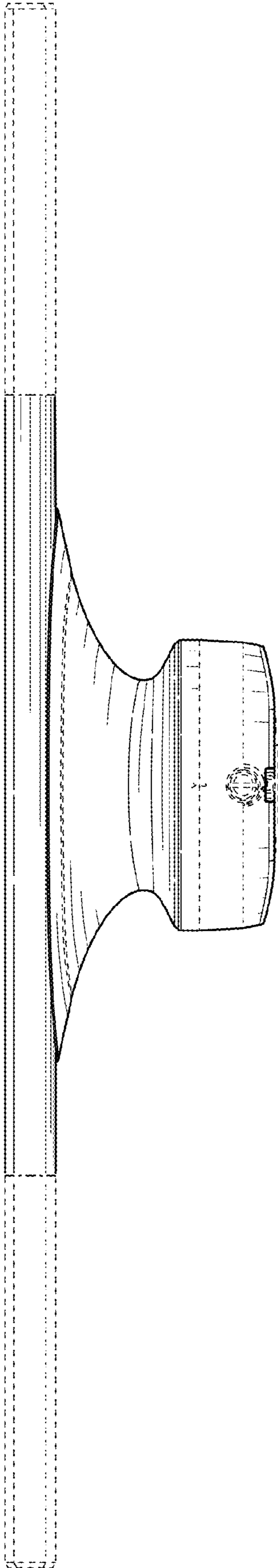


FIG. 14