



US00D979539S

(12) **United States Design Patent**
Park et al.

(10) **Patent No.:** **US D979,539 S**
(45) **Date of Patent:** **** Feb. 28, 2023**

(54) **EARPHONE**

(71) Applicant: **HUAWEI TECHNOLOGIES CO., LTD.**, Guangdong (CN)

(72) Inventors: **Donghyeok Park**, Shenzhen (CN); **Ying Zhao**, Shanghai (CN); **Jie Huang**, Shanghai (CN); **Guofei Diao**, Shanghai (CN)

(73) Assignee: **HUAWEI TECHNOLOGIES CO., LTD.**, Shenzhen (CN)

(**) Term: **15 Years**

(21) Appl. No.: **29/773,157**

(22) Filed: **Mar. 8, 2021**

(30) **Foreign Application Priority Data**

Sep. 8, 2020 (CN) 202030529691.0

(51) **LOC (14) Cl.** **14-01**

(52) **U.S. Cl.**
USPC **D14/223**

(58) **Field of Classification Search**
USPC D14/223, 205, 224; D13/108; D3/201, D3/274, 294; D9/420, 424, 529, 521; D28/83, 66, 76, 78; 206/702, 268; 220/4.22; D24/174; 128/864-866; 381/380, 381, 322, 328; 320/110; 455/90.3, 575.1, 569.1
CPC H04R 1/10; H04R 1/1066; H04R 1/1016; H04R 5/033; H04R 5/0335; B65D 5/00; B65D 43/02; B65D 25/10; A61F 11/08
See application file for complete search history.

(56) **References Cited**

U.S. PATENT DOCUMENTS

2,625,292 A * 1/1953 Spender A45D 34/02
206/823
D449,521 S * 10/2001 Pinkus D9/423

D467,799 S * 12/2002 Persson D9/423
D469,753 S * 2/2003 Andre D14/205
6,574,345 B1 * 6/2003 Huang H04R 1/1016
379/430
D637,647 S * 5/2011 Allison D19/73
D671,530 S * 11/2012 Yang D14/223
D681,015 S * 4/2013 Akana H04R 1/1016
D14/223
D733,101 S * 6/2015 Pi D14/223
D733,689 S * 7/2015 Narita D14/223
D757,682 S * 5/2016 Perez D14/205
D775,960 S * 1/2017 Erdwiens D9/734
D775,966 S * 1/2017 Jeong D9/661
D798,844 S * 10/2017 Nokuo D14/223

(Continued)

FOREIGN PATENT DOCUMENTS

CA 193607 * 2/2022
EM 008020077-0001 * 6/2020

(Continued)

Primary Examiner — Paula Allen Greene

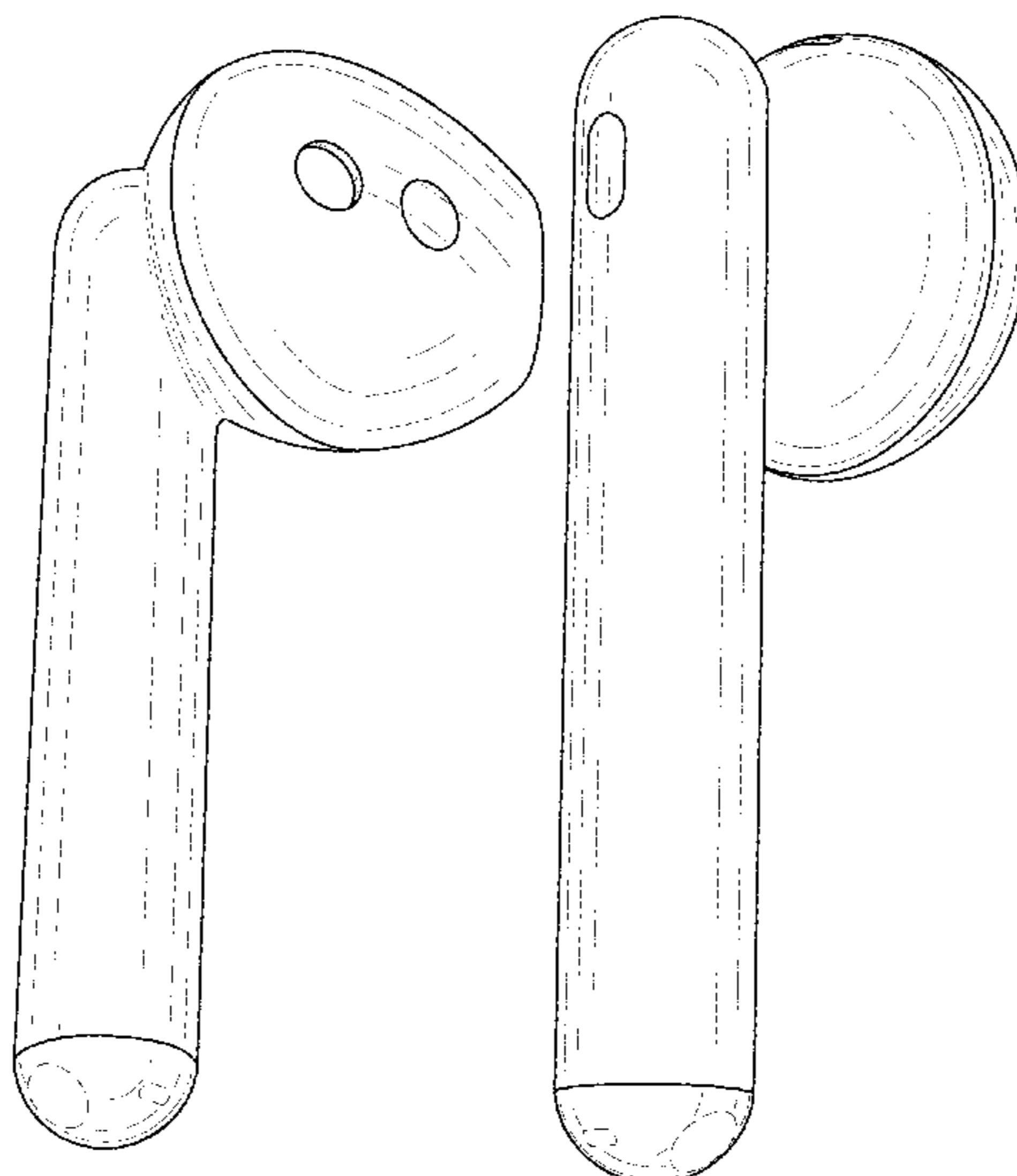
(57) **CLAIM**

The ornamental design for an earphone, as shown and described.

DESCRIPTION

FIG. 1 is a front perspective view of an earphone showing our new design;
FIG. 2 is a back perspective view thereof;
FIG. 3 is a front view thereof;
FIG. 4 is a back view thereof;
FIG. 5 is a right side view thereof;
FIG. 6 is a left side view thereof;
FIG. 7 is a top view thereof; and,
FIG. 8 is a bottom view thereof.
The broken lines depict portions of the earphone that form no part of the claimed design.

1 Claim, 8 Drawing Sheets



(56)

References Cited

U.S. PATENT DOCUMENTS

D801,314 S * 10/2017 Akana D14/223
 D806,388 S * 1/2018 Akana D3/294
 D818,268 S * 5/2018 Akana D3/294
 D820,809 S * 6/2018 Akana D14/219
 10,039,366 B1 * 8/2018 Facer A45D 40/24
 D830,336 S * 10/2018 Cai D14/205
 D849,401 S * 5/2019 Akana D3/274
 D876,526 S * 2/2020 Fuller D16/237
 D878,045 S * 3/2020 Akana D3/274
 D878,337 S * 3/2020 Yang D14/223
 D889,439 S * 7/2020 Hsieh D14/223
 D890,091 S * 7/2020 Cramer D13/108
 D890,724 S * 7/2020 Li D14/223
 D892,497 S * 8/2020 Wright D3/218
 D896,206 S * 9/2020 Xu D14/223
 D896,788 S * 9/2020 Akana D14/223
 D897,997 S * 10/2020 Zhang D14/223
 D898,664 S * 10/2020 Bhutani D13/108
 D900,065 S * 10/2020 Distefano D14/223
 D902,588 S * 11/2020 Zhang D3/294
 D904,005 S * 12/2020 Jung D3/201
 D906,299 S * 12/2020 Luo D14/223
 D911,027 S * 2/2021 Liang D3/274
 D914,652 S * 3/2021 Chen D14/223
 D915,355 S * 4/2021 Xiang D14/223
 D918,178 S * 5/2021 Chen D14/223
 D918,179 S * 5/2021 Zhao D14/223
 D920,236 S * 5/2021 Xie D3/294
 D923,609 S * 6/2021 Li D14/223
 D924,851 S * 7/2021 Li D14/223
 D925,500 S * 7/2021 Chen D14/223
 D927,417 S * 8/2021 Sretovic D3/294
 D928,619 S * 8/2021 Kim D9/519
 D930,361 S * 9/2021 Jacobs D3/294

D931,838 S * 9/2021 Deng D14/223
 D932,428 S * 10/2021 Reimann D3/294
 D932,472 S * 10/2021 Wang D14/223
 D933,595 S * 10/2021 Geng D3/294
 D933,636 S * 10/2021 Akana D14/223
 D934,563 S * 11/2021 Xiang D3/294
 D935,772 S * 11/2021 Chen D3/294
 11,172,101 B1 * 11/2021 Boozer H04N 5/23241
 D939,829 S * 1/2022 Goldstein D3/294
 D942,386 S * 2/2022 Chen D3/294
 D942,387 S * 2/2022 Chen D3/294
 D944,779 S * 3/2022 Wang D14/223
 D946,517 S * 3/2022 Zhang D14/223
 D948,482 S * 4/2022 Liu D14/223
 D948,484 S * 4/2022 Zhang D14/223
 2012/0237074 A1 * 9/2012 Aase H04R 1/1058
 29/858
 2017/0164087 A1 * 6/2017 Kurtz H04R 1/1016
 2020/0107098 A1 * 4/2020 DiFonzo H01F 1/147
 2020/0266640 A1 * 8/2020 Valenzuela H02J 7/0044
 2021/0013917 A1 * 1/2021 McGaughey H04B 1/3838
 2021/0058687 A1 * 2/2021 Liu H04R 1/1025
 2021/0160607 A1 * 5/2021 Liu H04B 1/3888
 2021/0274275 A1 * 9/2021 Daniels H04R 1/1091
 2021/0283287 A1 * 9/2021 Goodman A61L 2/10
 2022/0124424 A1 * 4/2022 Feng H02J 7/0044

FOREIGN PATENT DOCUMENTS

EM 008449664-0001 * 3/2021
 EM 008648224-0001 * 8/2021
 EM 008711774-0001 * 9/2021
 EM 008727382-0001 * 10/2021
 EM 008731269-0001 * 10/2021
 GB 9008157887-0001 * 9/2020
 GB 6120690 * 2/2021

* cited by examiner

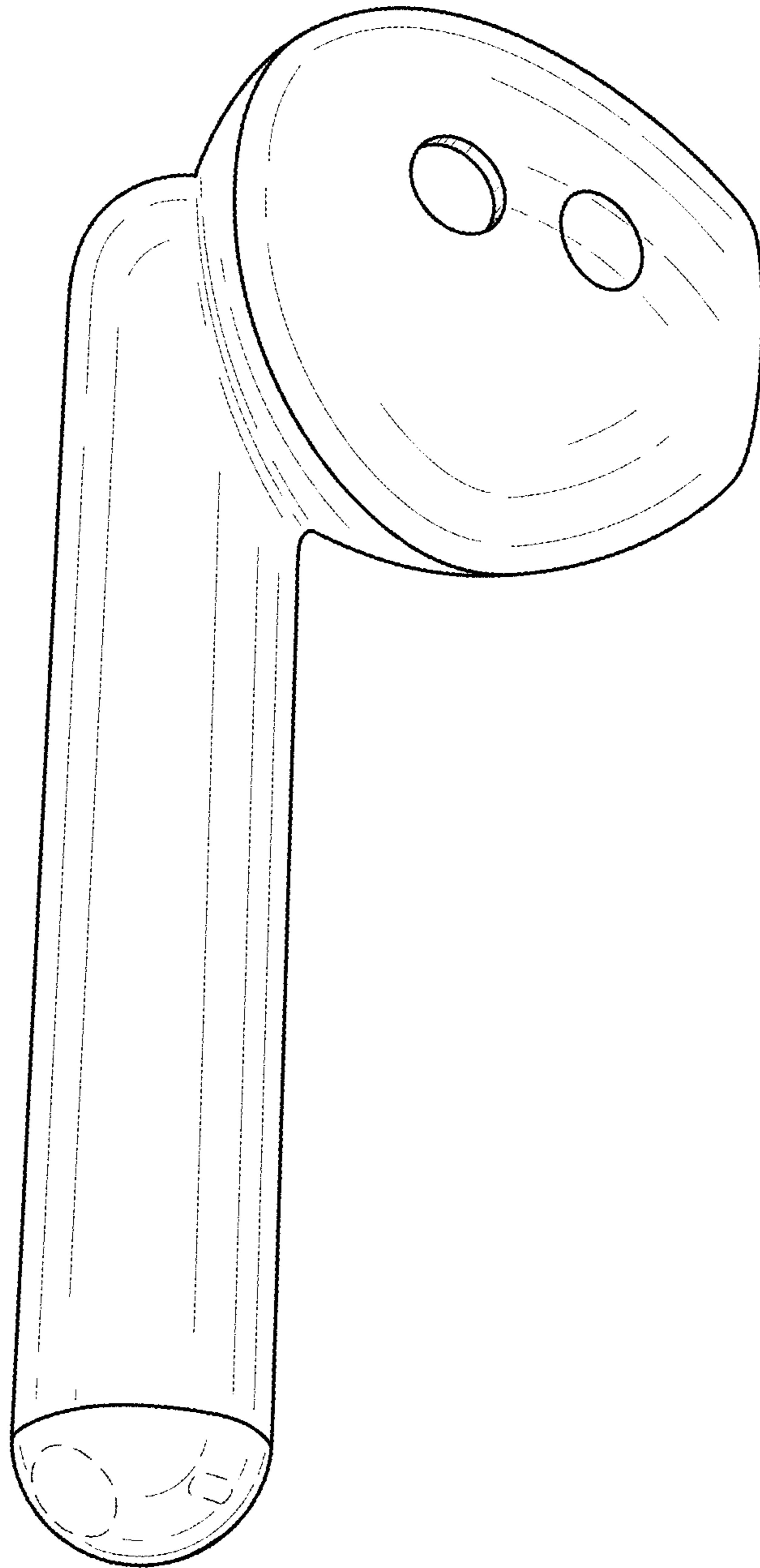


FIG. 1

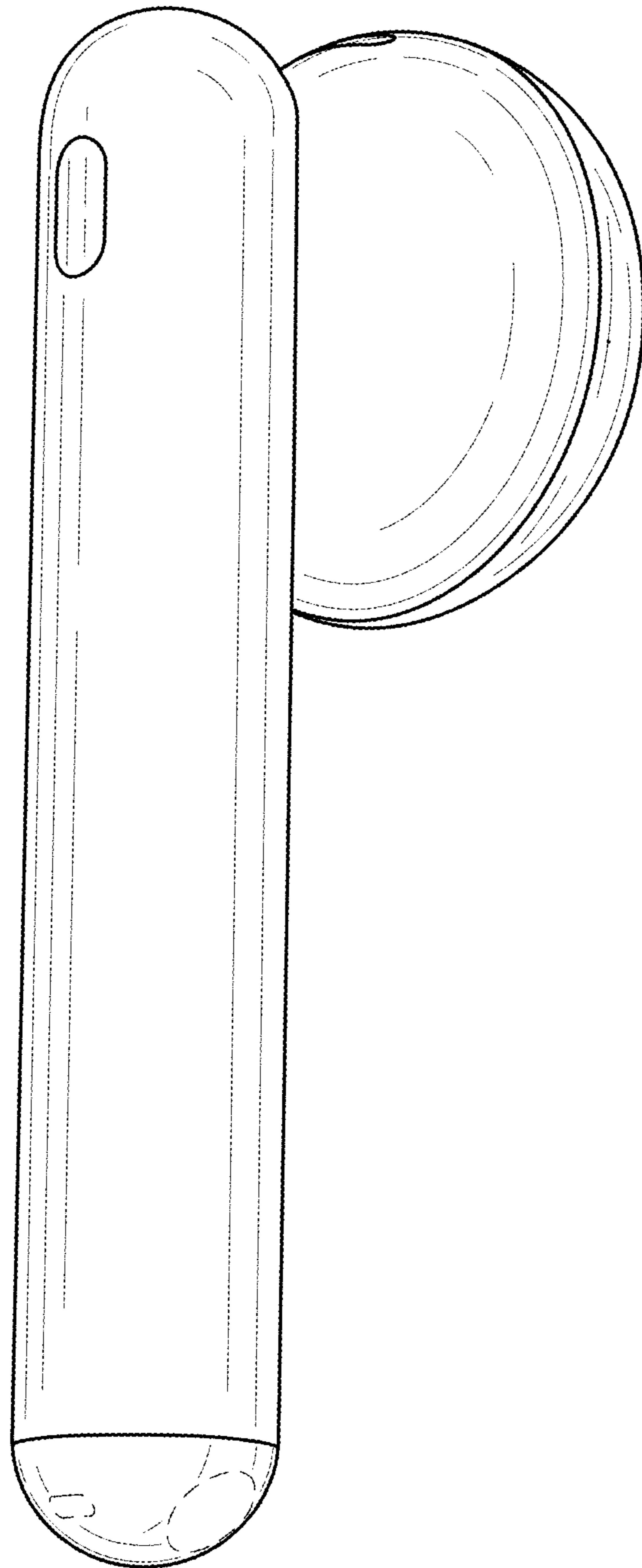


FIG. 2

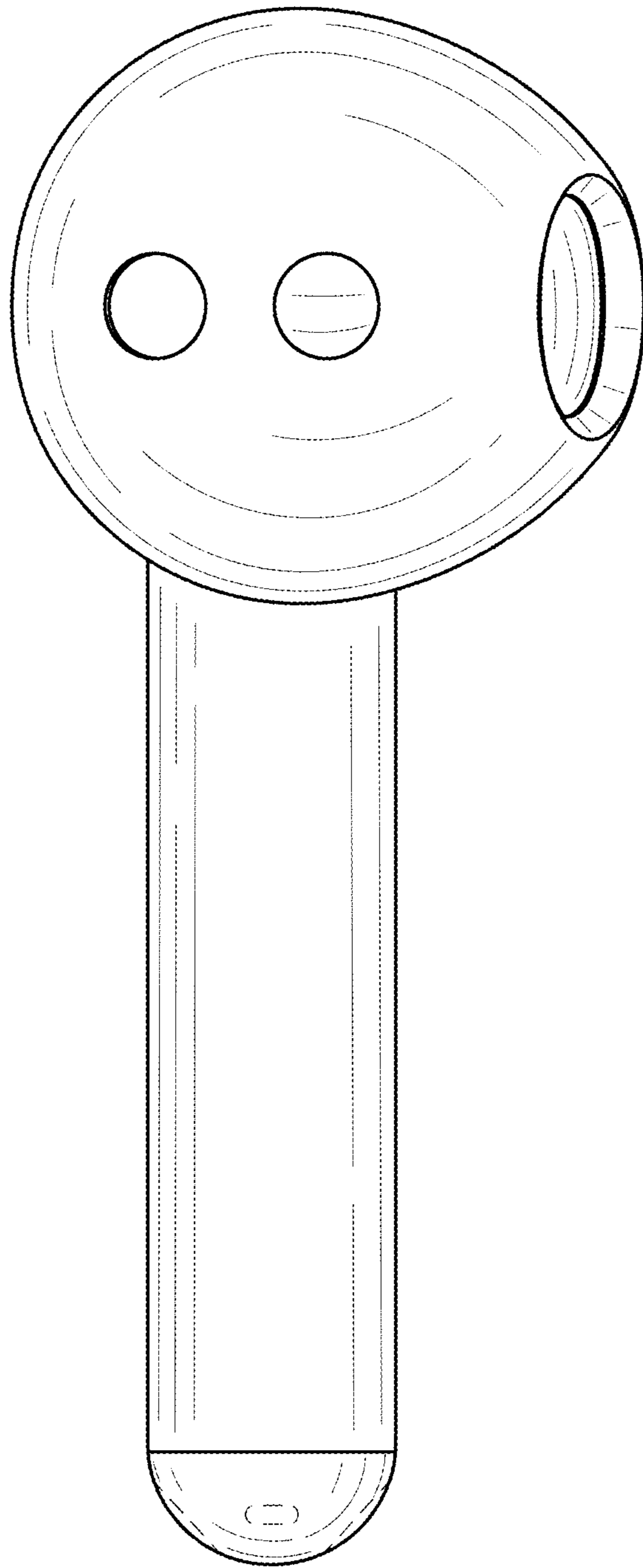


FIG. 3

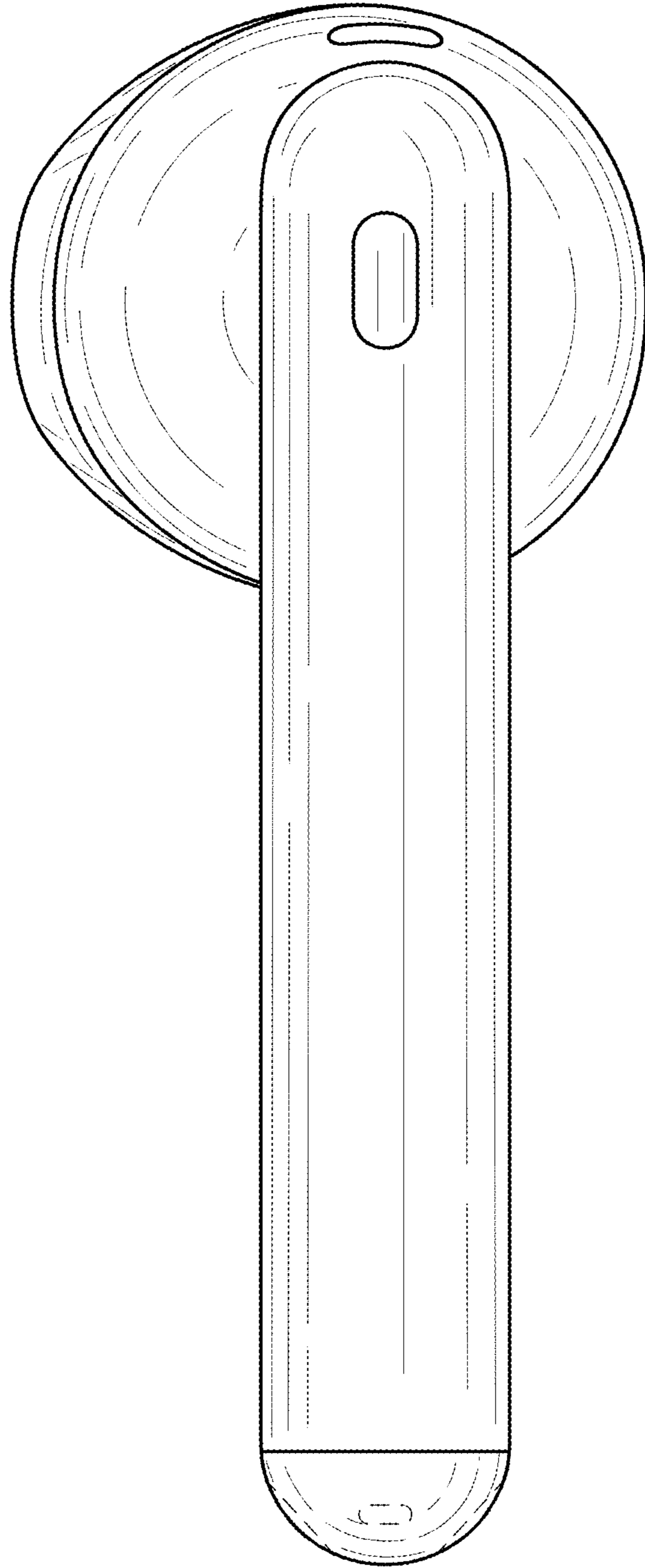


FIG. 4

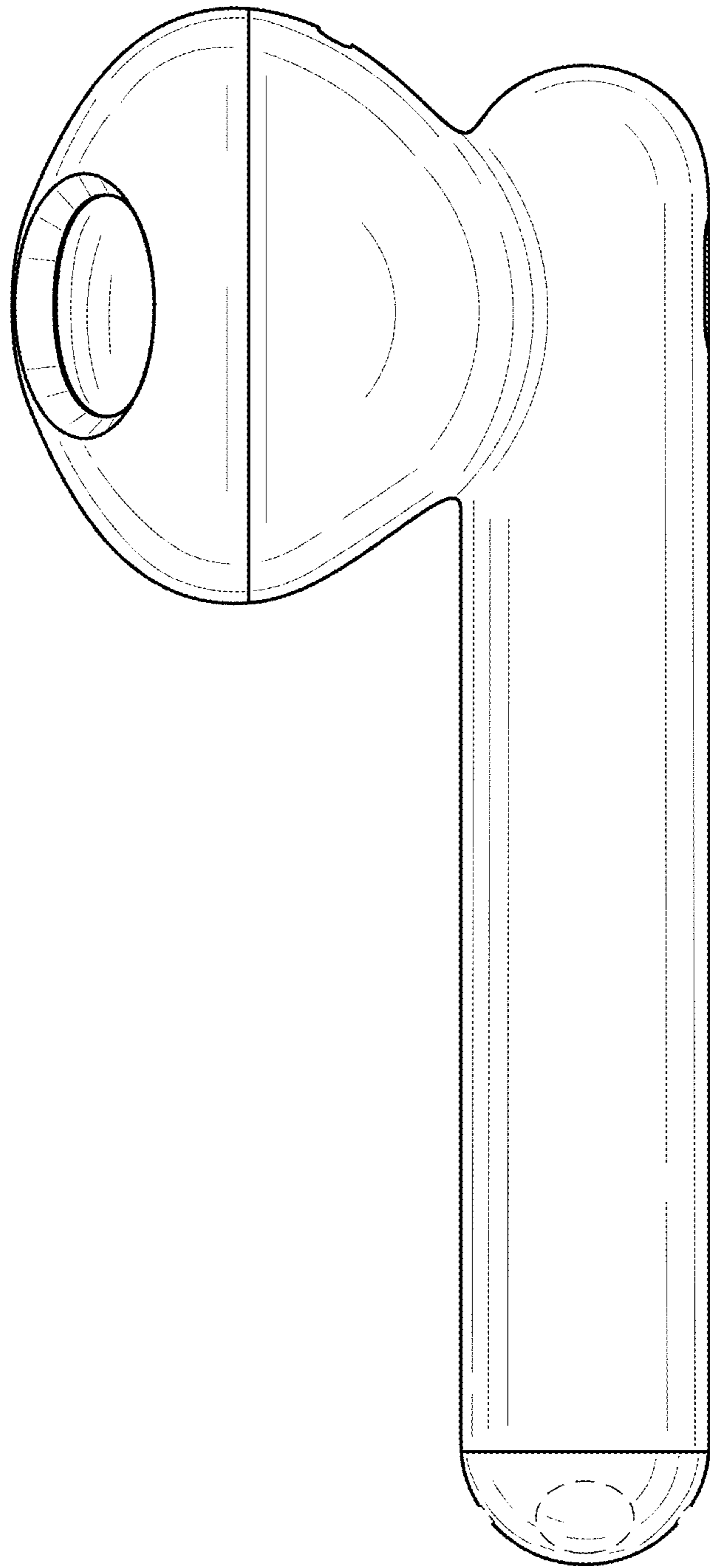


FIG. 5

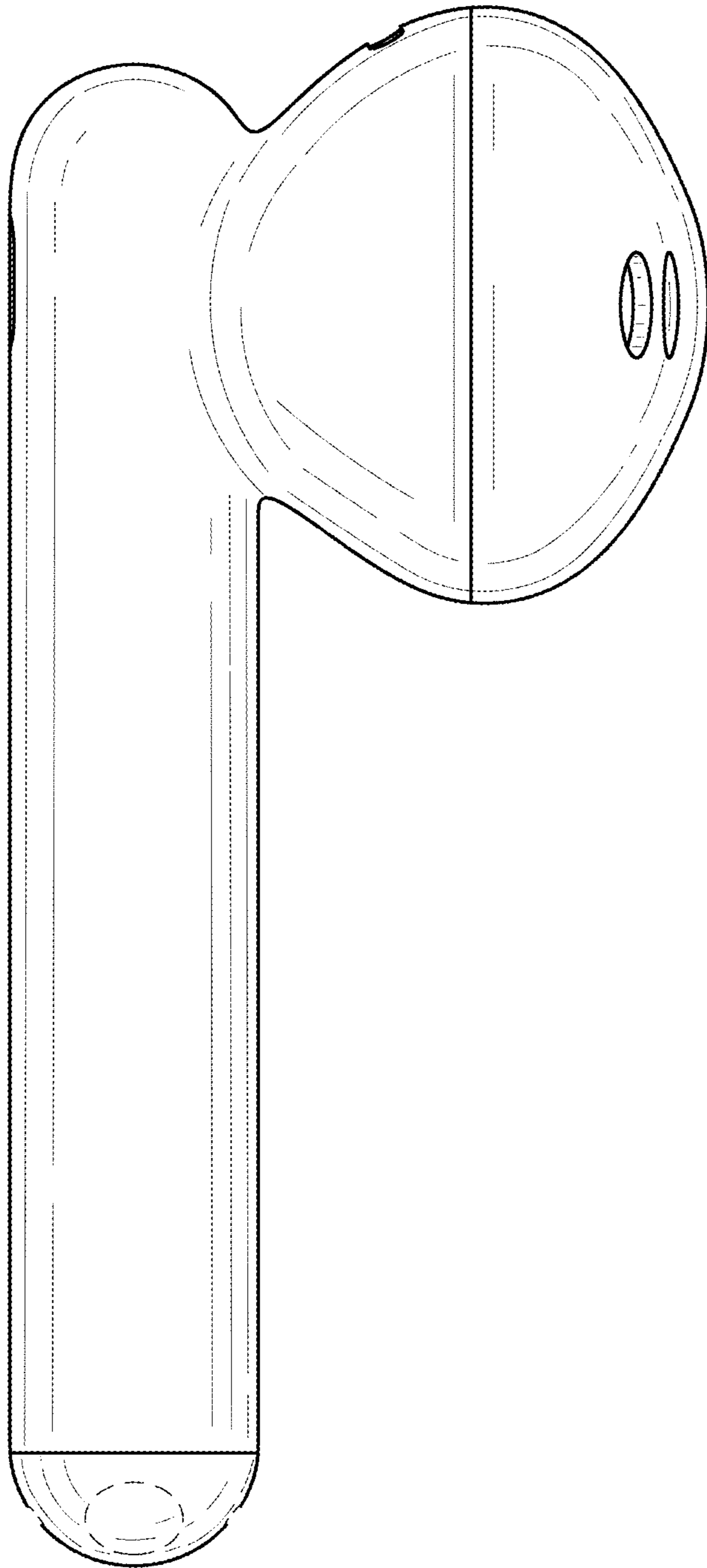


FIG. 6

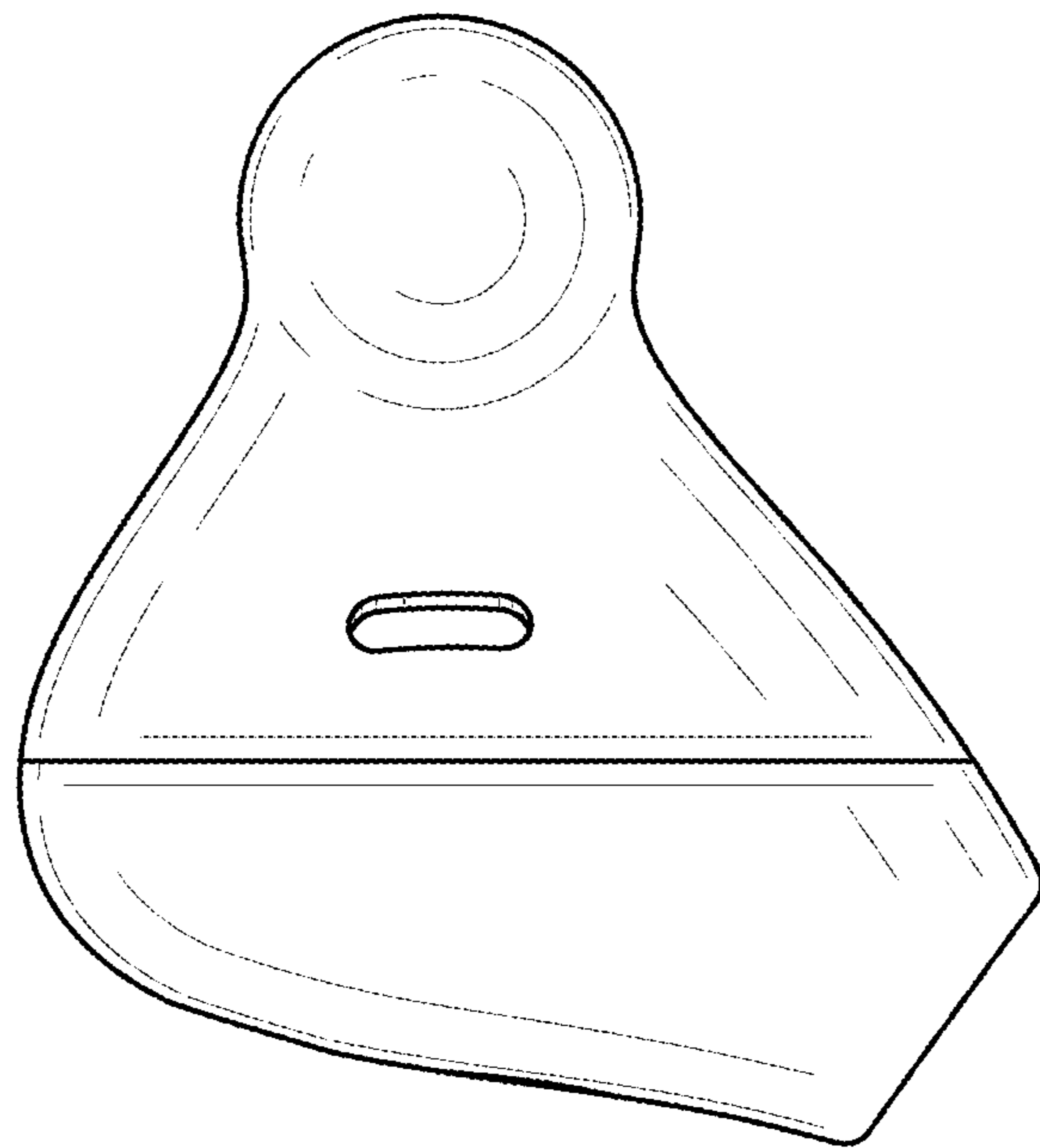


FIG. 7

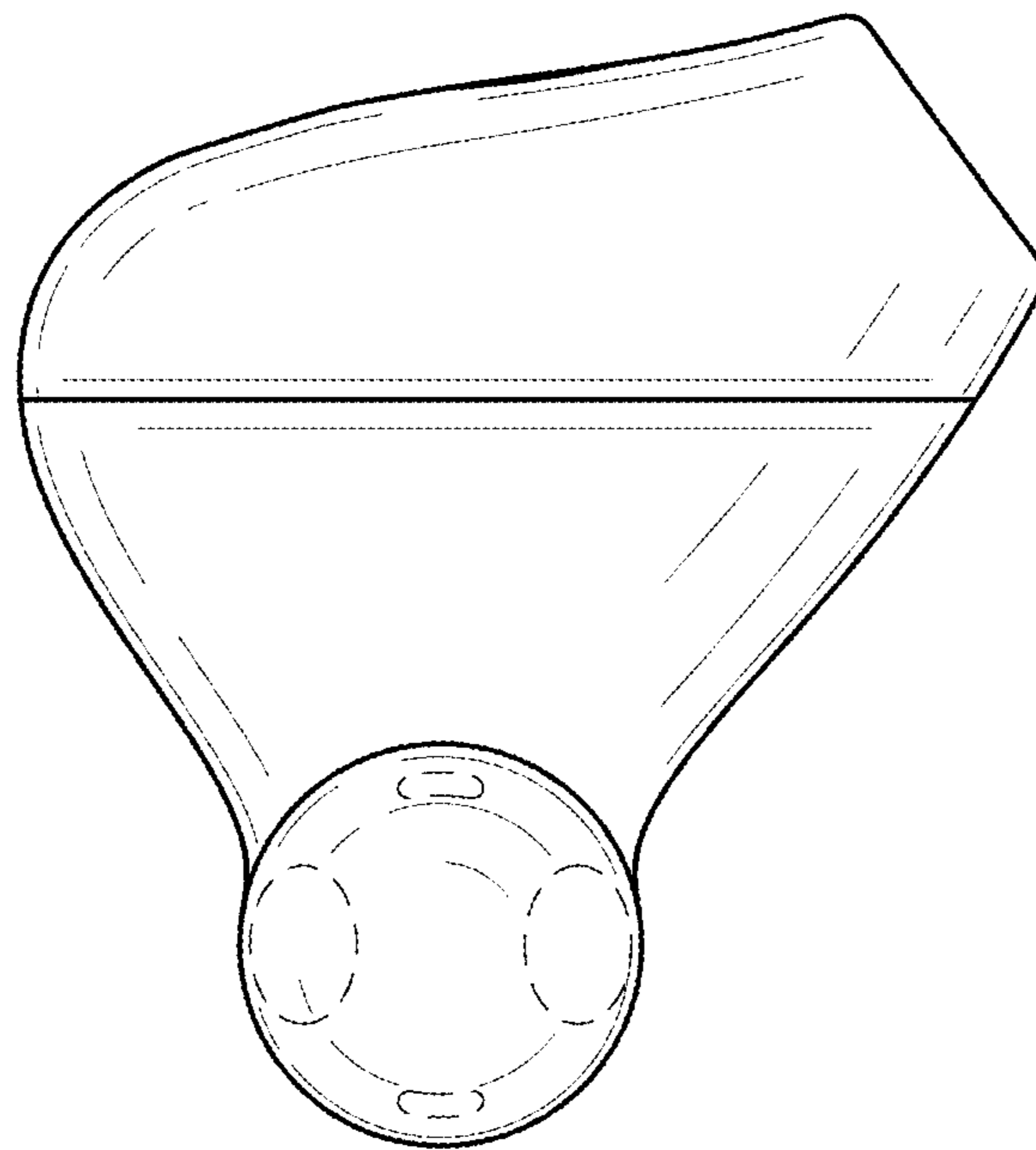


FIG. 8