



US00D979535S

(12) **United States Design Patent**
Jhun et al.

(10) **Patent No.:** **US D979,535 S**

(45) **Date of Patent:** **** Feb. 28, 2023**

(54) **SPEAKER AND MICROPHONE POD**

D896,673 S * 9/2020 Brainard D10/106.2
D954,675 S * 6/2022 Stefans D14/218
D954,676 S * 6/2022 Stefans D14/218

(71) Applicant: **Crestron Electronics, Inc.**, Rockleigh,
NJ (US)

(72) Inventors: **Sae Jhun**, Bayside, NY (US); **Wendy
Feldstein**, Old Tappan, NJ (US)

(73) Assignee: **Crestron Electronics, Inc.**, Rockleigh,
NJ (US)

(**) Term: **15 Years**

(21) Appl. No.: **29/794,802**

(22) Filed: **Jun. 15, 2021**

(51) **LOC (14) Cl.** **14-01**

(52) **U.S. Cl.**
USPC **D14/214**

(58) **Field of Classification Search**
USPC ... D14/204, 214, 168, 225, 188, 171, 209.1,
D14/216, 227, 155, 160; D10/106.2,
D10/106.1, 496, 104.2; D13/110
CPC H04R 1/025; H04R 1/02; H04R 1/403;
H04R 1/345; H04R 1/2803; H04R 5/02
See application file for complete search history.

(56) **References Cited**

U.S. PATENT DOCUMENTS

D256,897 S * 9/1980 Arima D10/106.2
D297,316 S * 8/1988 Mastro D10/106.2
D412,296 S * 7/1999 Kawabata D10/106.2
D578,510 S * 10/2008 Tanaka D14/215
D646,665 S * 10/2011 Iijima D14/214
D723,461 S * 3/2015 Chen D13/108
D793,399 S * 8/2017 Feldstein D14/433
D801,410 S * 10/2017 Kim D14/203.3
D834,565 S * 11/2018 Sarrasin D14/227
D850,405 S * 6/2019 Turgel D14/204
D894,148 S * 8/2020 Li D14/204
D894,149 S * 8/2020 Li D14/204

OTHER PUBLICATIONS

“GVA Speaker Series—Altec Lansing”, <https://www.alteclansing.com/product/gva-series-google-assistant-speakers/>.

“Polk Audio Assist Smart Speaker”, “14 Best Google Assistant Speakers (2021): Smart Displays, Portable, and More | Wired”, <https://www.wired.com/gallery/best-google-speakers-buying-guide/>.

“Wired Speaker, Meetuo Computer Speakers for Desktop, USB Powered Small Speakers with 3.5mm Jack Stereo Sound for Laptop, PC, Desktop, Office(Black)”, <https://www.amazon.com/Speaker-Portable-Loudspeaker-Modeling-Notebook/dp/B06XKY1X4M>.

* cited by examiner

Primary Examiner — Khawaja Anwar

Assistant Examiner — Megan Tiana Rakos

(74) *Attorney, Agent, or Firm* — Crestron Electronics, Inc.

(57) **CLAIM**

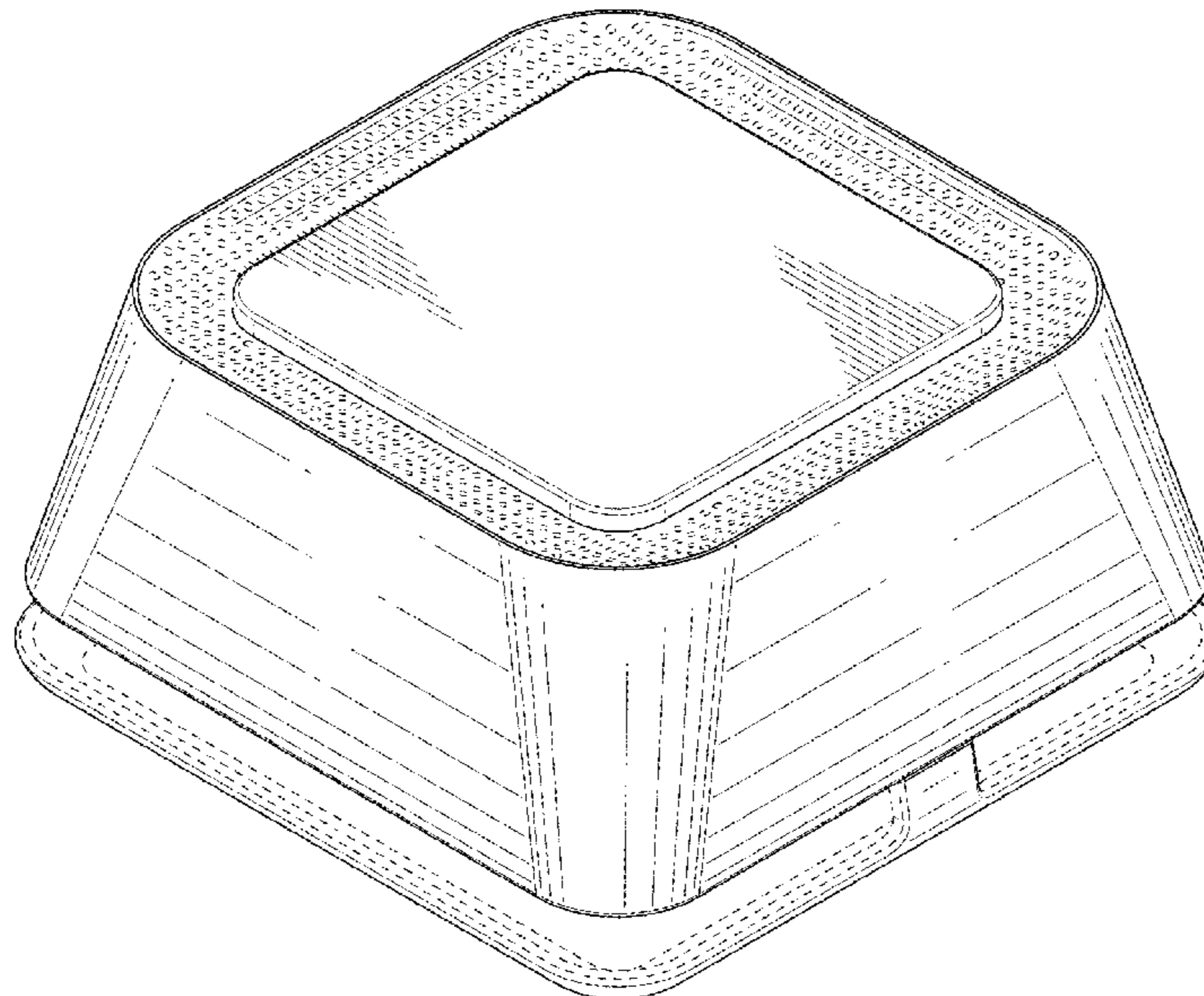
The ornamental design for a speaker and microphone pod, as shown and described.

DESCRIPTION

FIG. 1 shows a top perspective view of a speaker and microphone pod according to an embodiment; FIG. 2 shows a bottom perspective view thereof; FIG. 3 shows a front elevation view thereof; FIG. 4 shows a rear elevation view thereof; FIG. 5 shows a left elevation view thereof; FIG. 6 shows a right elevation view thereof; FIG. 7 shows a top plan view thereof; and, FIG. 8 shows a bottom plan view thereof.

The broken line portion of the figure drawings is included to show unclaimed subject matter only and forms no part of the claimed design.

1 Claim, 6 Drawing Sheets



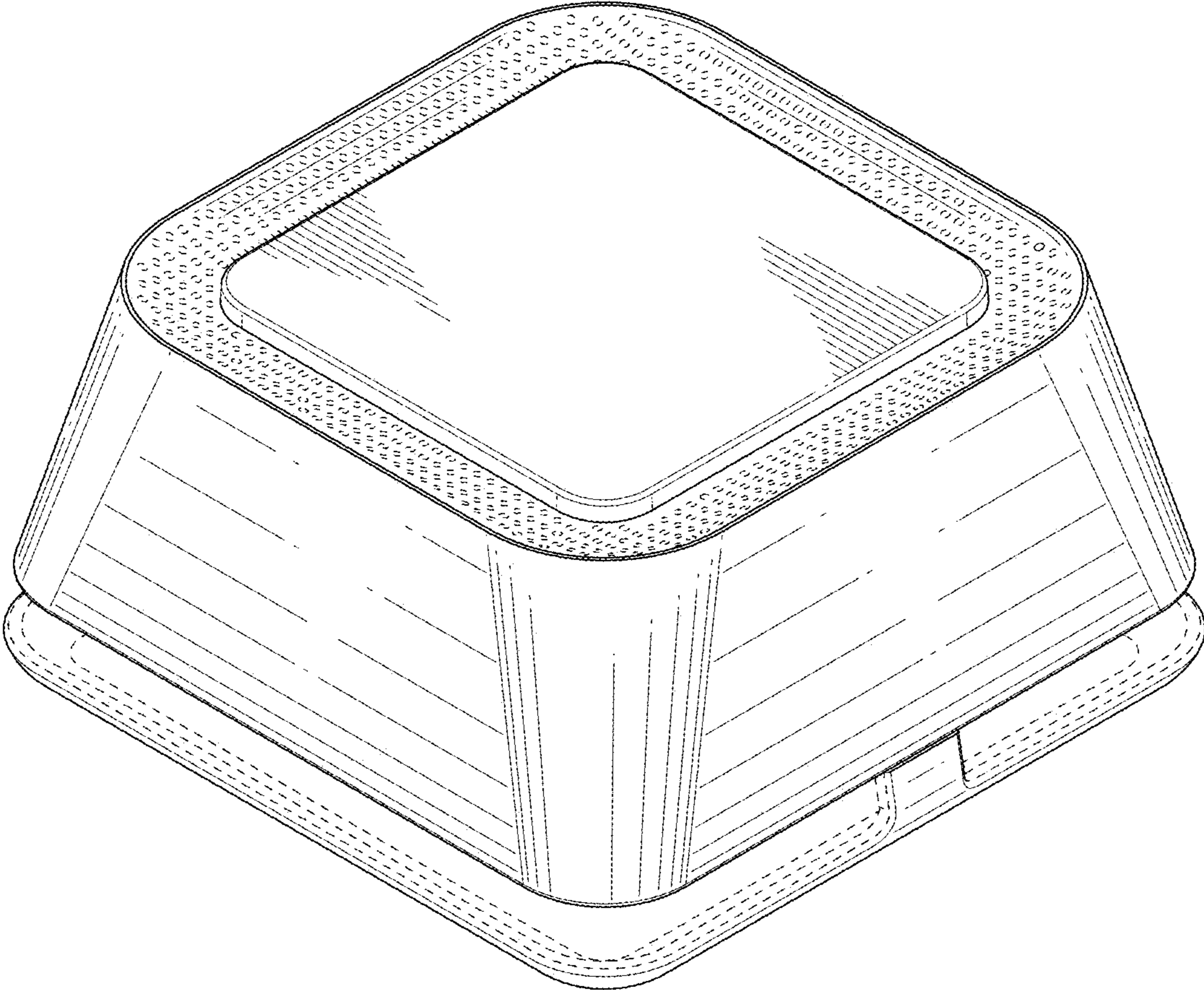


FIG. 1

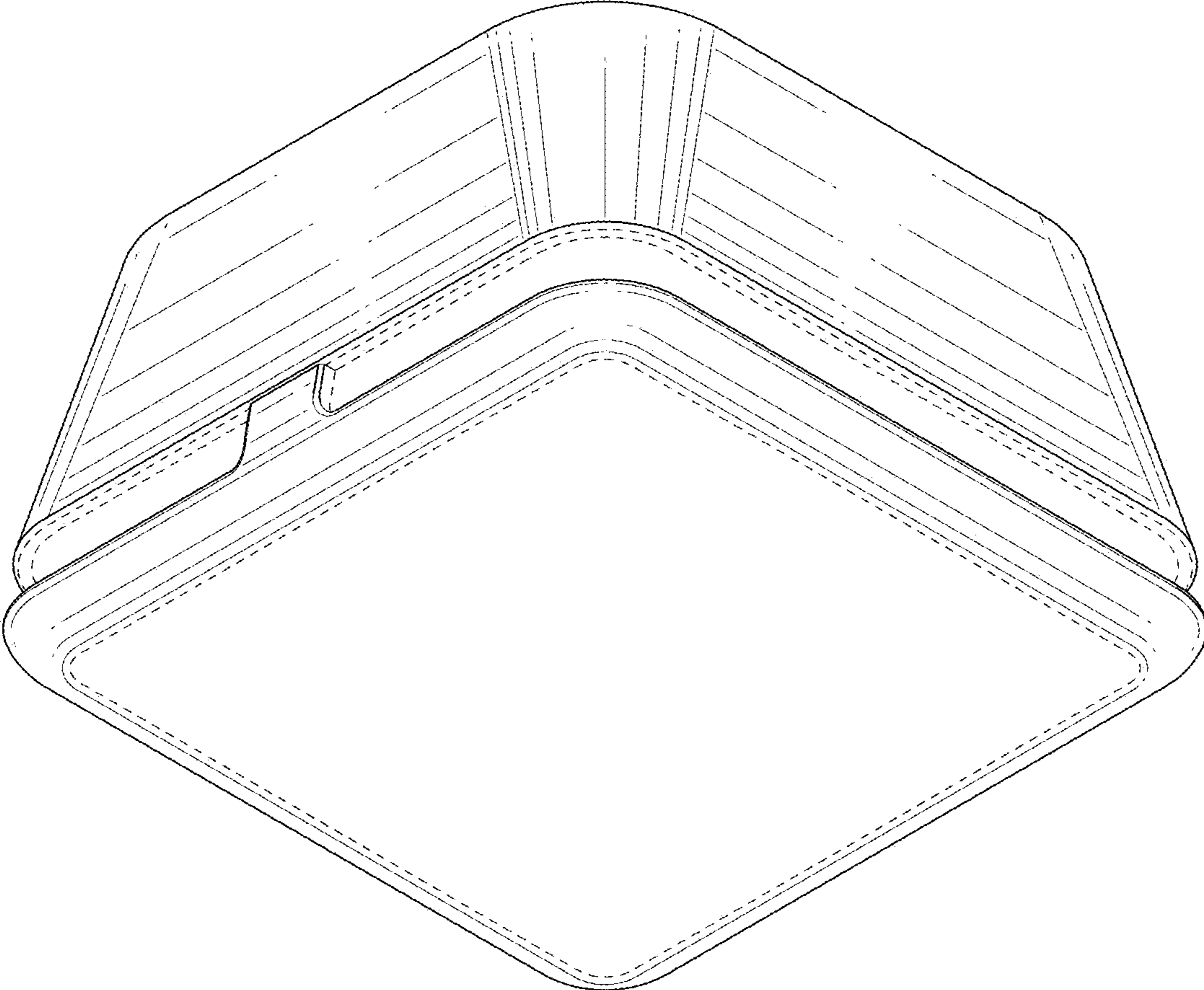


FIG. 2

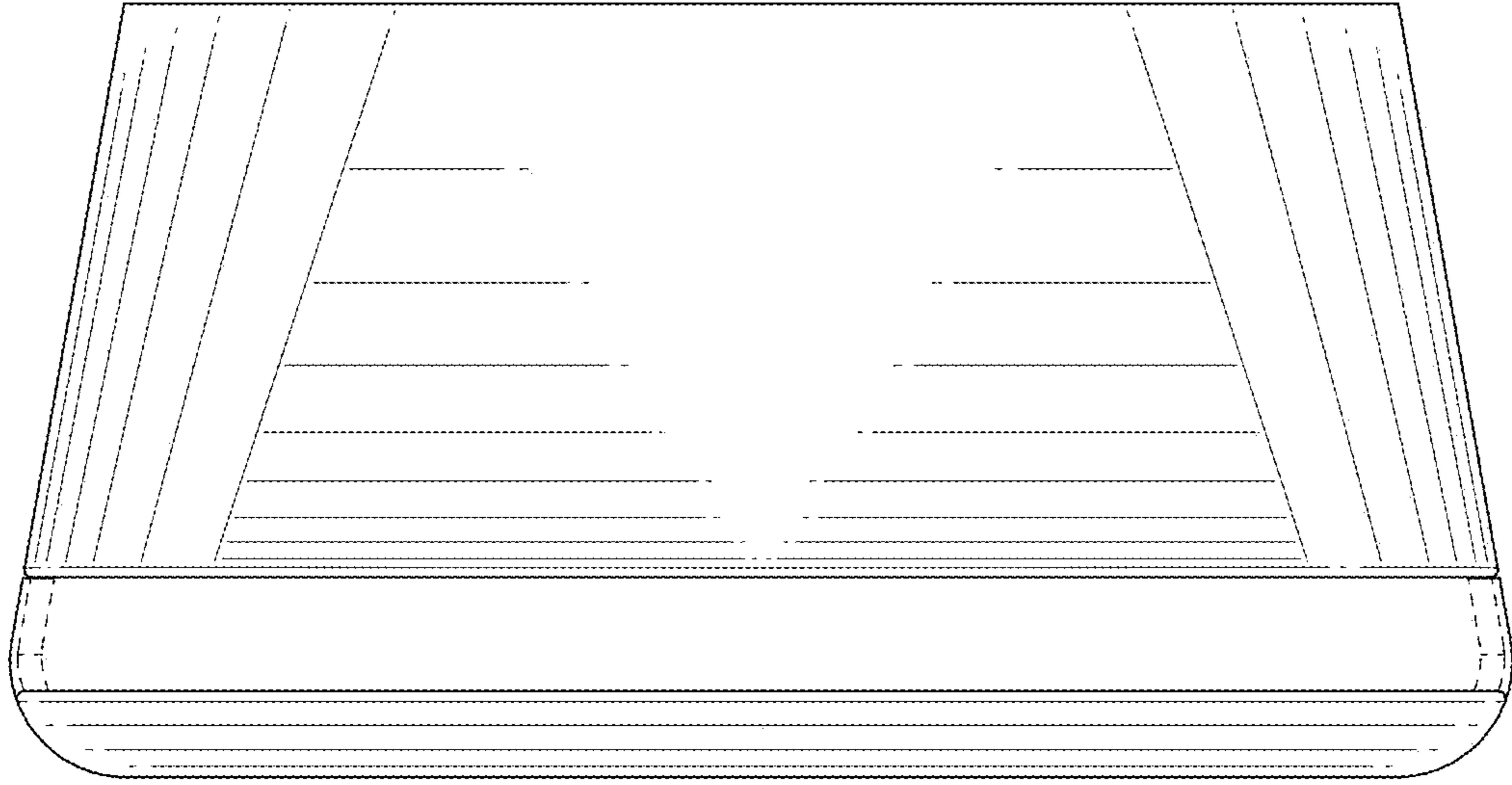


FIG. 3

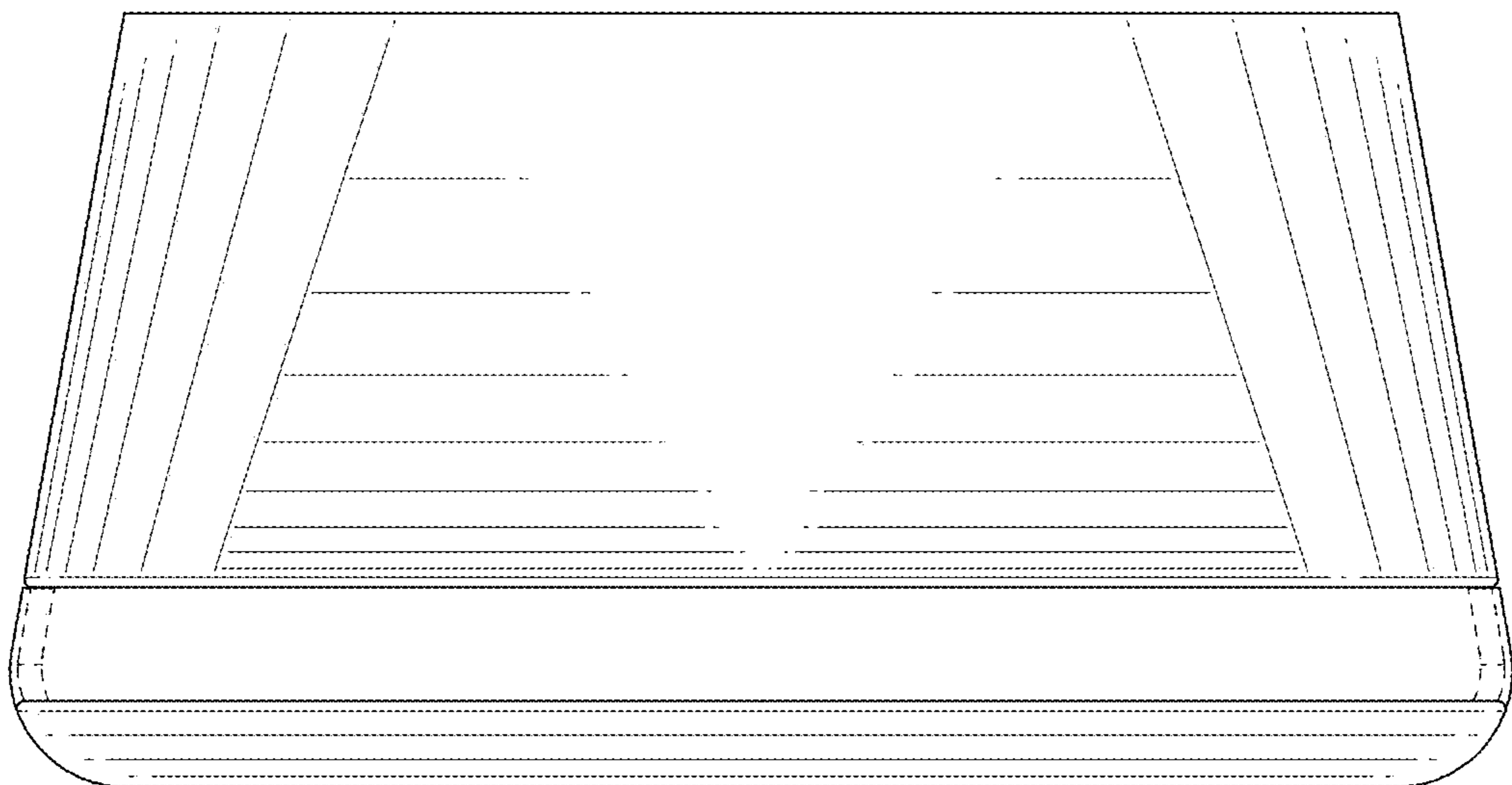


FIG. 4

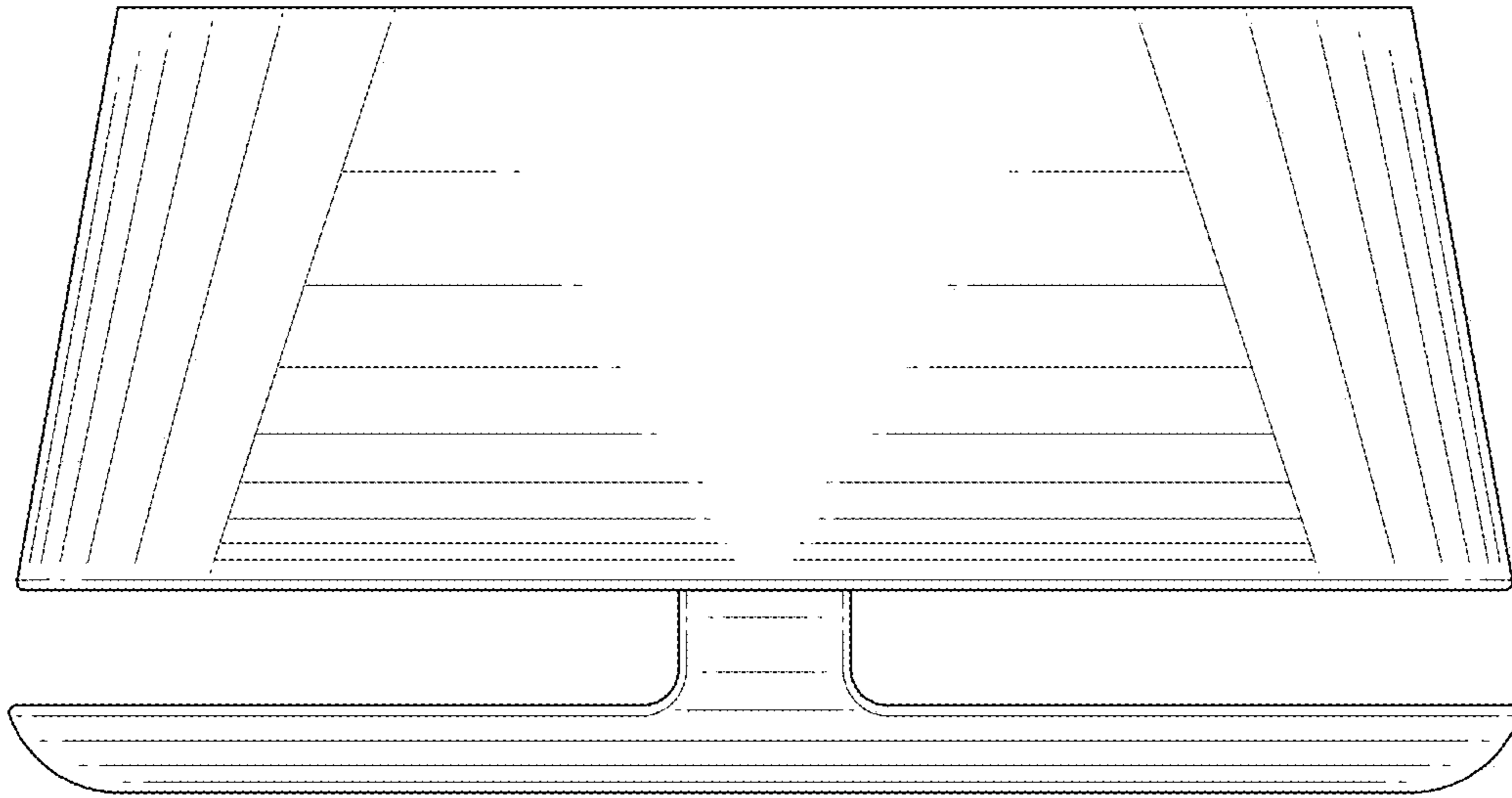


FIG. 5

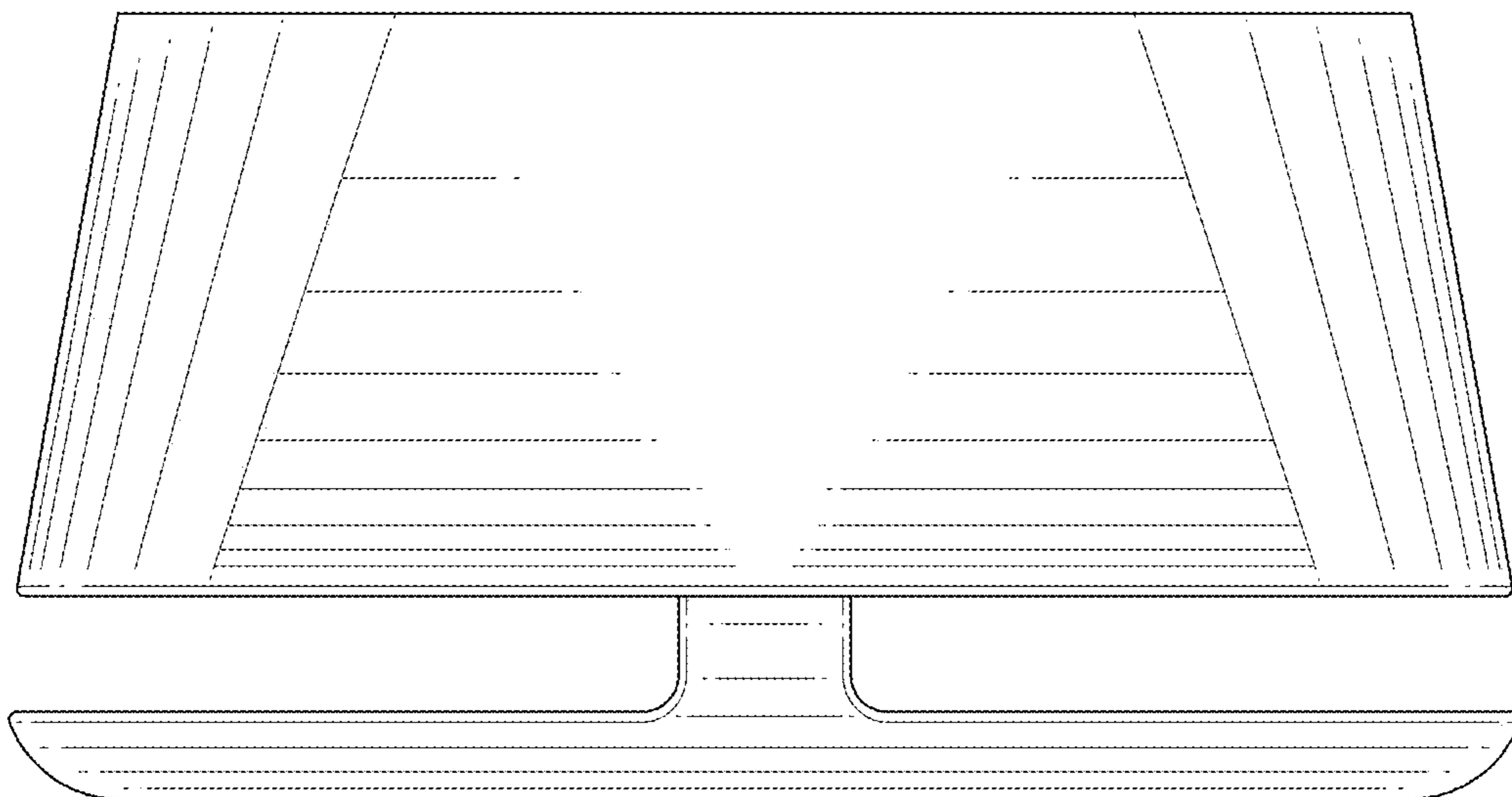


FIG. 6

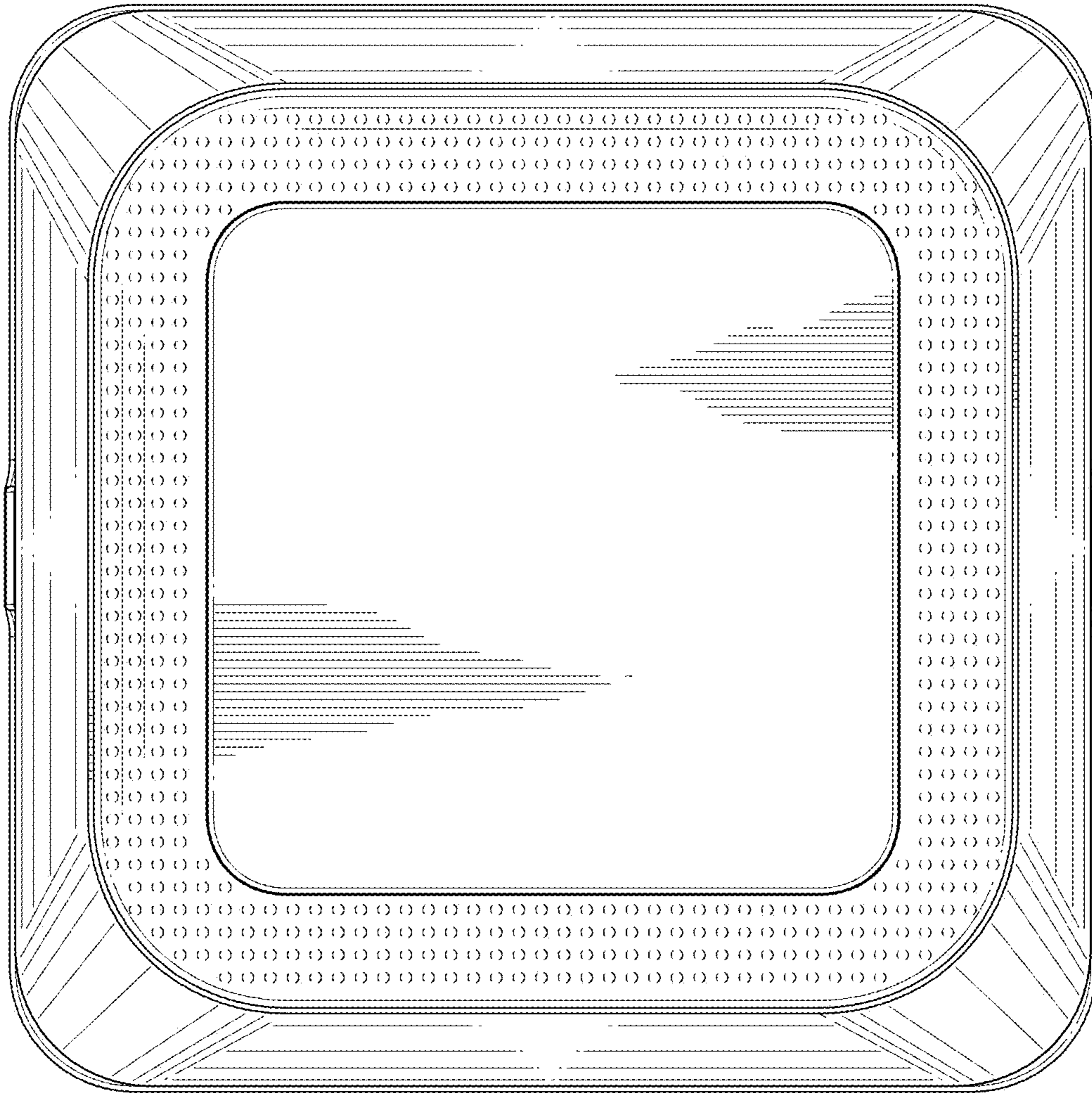


FIG.7

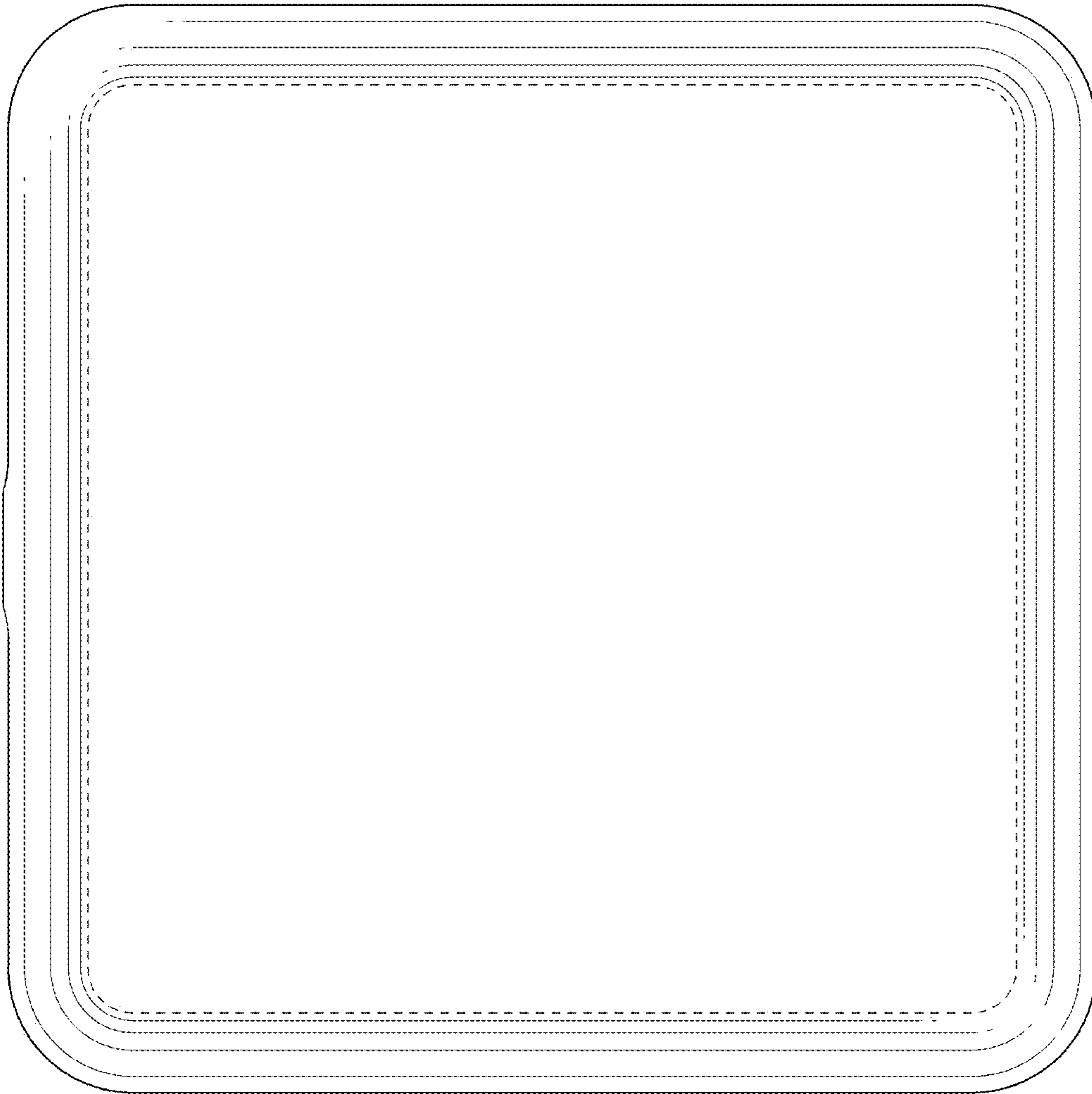


FIG. 8