



US00D979534S

(12) **United States Design Patent** (10) **Patent No.:** **US D979,534 S**
Tanaka et al. (45) **Date of Patent:** **** Feb. 28, 2023**

(54) **CAMERA AND SPEAKER PERIPHERAL**

(71) Applicant: **Dell Products L.P.**, Round Rock, TX (US)

(72) Inventors: **Toshiyuki Tanaka**, Setagaya-ku (JP); **Tzu-Wei Tai**, Taipei (TW); **Yuan-Ping Chu**, North Dist. (TW); **Chao-Long Chou**, New Taipei (TW)

(**) Term: **15 Years**

(21) Appl. No.: **29/751,539**

(22) Filed: **Sep. 22, 2020**

(51) **LOC (14) Cl.** **14-01**

(52) **U.S. Cl.**
USPC **D14/214**

(58) **Field of Classification Search**
USPC ... D14/167, 188, 204, 209.1, 210, 211, 214,
D14/215, 216, 221, 224
CPC . H04R 1/02; H04R 5/02; H04R 1/025; G10K
11/004

See application file for complete search history.

(56) **References Cited**

U.S. PATENT DOCUMENTS

D447,470 S *	9/2001	Obata	D14/167
D570,847 S *	6/2008	Chern	D14/434
D574,702 S *	8/2008	Stephens	D8/395
D608,760 S *	1/2010	Xie	D14/188
D687,810 S *	8/2013	Son	D14/210
D788,062 S *	5/2017	Norrell	D14/188
D817,916 S *	5/2018	Norrell	D14/188
2005/0207603 A1 *	9/2005	Tse	H04R 5/02 381/345

OTHER PUBLICATIONS

Logitech, "4K Pro Magnetic Webcam," downloaded from Logitech 4K Pro Magnetic Webcam for Apple Pro Display XDR on Jul. 23, 2021, 8 pages.

Lenovo, "Tiny-in-One 3 (24") Monitor," downloaded from Lenovo ThinkCentre Tiny-in-One 3 (24) | Modular AIO | Lenovo US on Jul. 23, 2021, 2 pages.

Android, "Best Minitor Light Bars 2021," downloaded from Best monitor light bars 2021 | Android Central on Jul. 23, 2021, 10 pages.

Dell, "General Information About the Dell AX510 and AX510PA Soundbars," downloaded from General Information About the Dell AX510 and AX510PA Soundbars | Dell US on Jul. 23, 2021, 5 pages.

* cited by examiner

Primary Examiner — Khawaja Anwar

Assistant Examiner — Megan Tiana Rakos

(74) *Attorney, Agent, or Firm* — Zagorin Cave LLP;
Robert W. Holland

(57) **CLAIM**

We claim the ornamental design for a camera and speaker peripheral, as shown and described.

DESCRIPTION

FIG. 1 is a front perspective view of the camera and speaker peripheral comprising the present invention;

FIG. 2 is a front elevation view thereof;

FIG. 3 is a rear elevation view thereof;

FIG. 4 is a right side view thereof;

FIG. 5 is a left side view thereof;

FIG. 6 is a top view thereof;

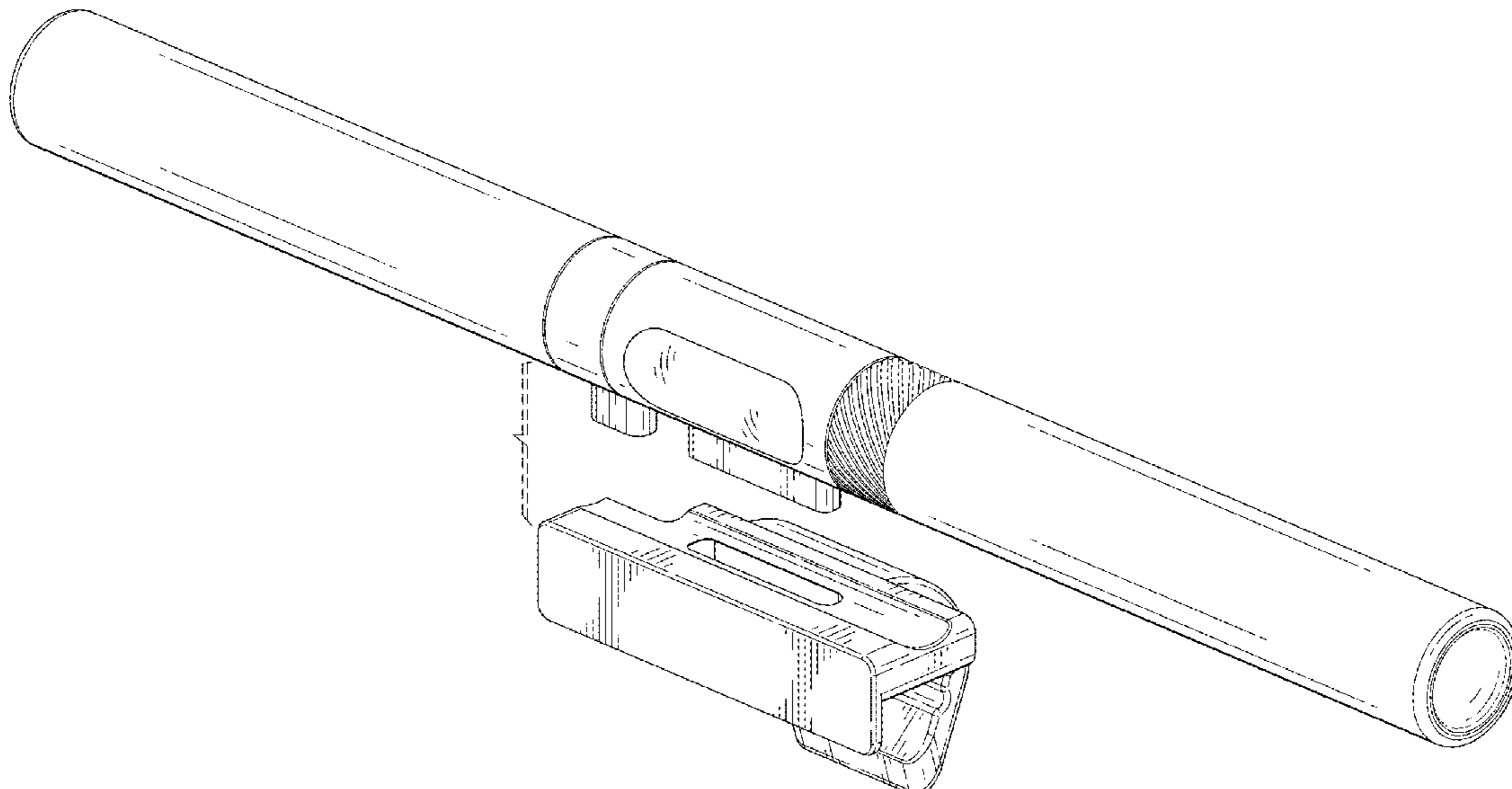
FIG. 7 is a bottom view thereof;

FIG. 8 is an upper front perspective environmental view thereof coupled to a display; and,

FIG. 9 is a rear perspective environmental view thereof coupled to a display.

Broken lines shown in the drawings illustrate portions of the camera and speaker peripheral and form no part of the claimed design.

1 Claim, 6 Drawing Sheets



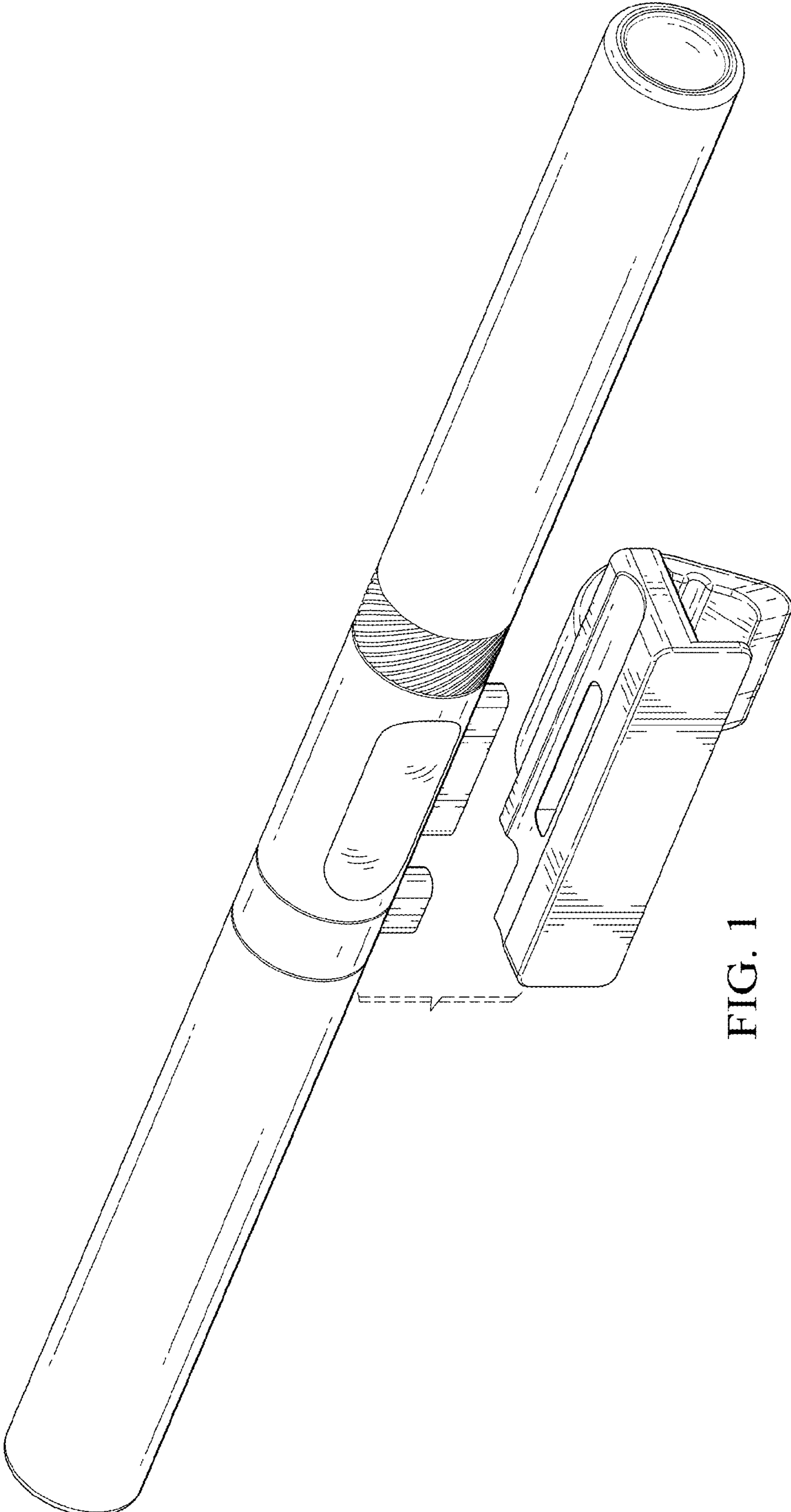
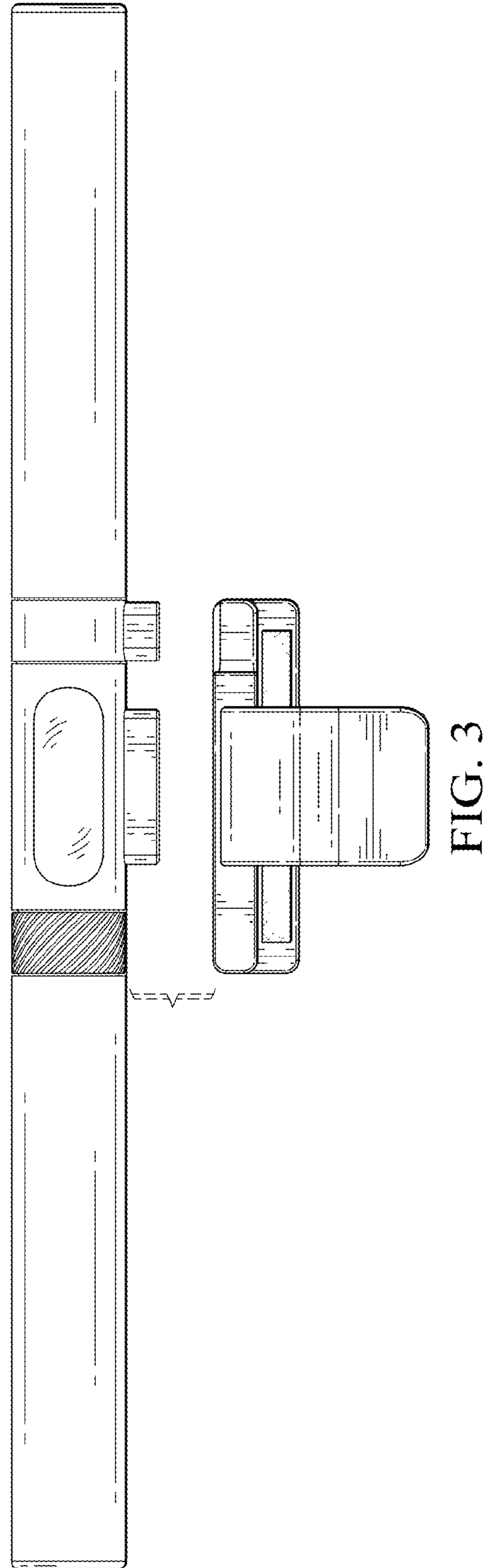
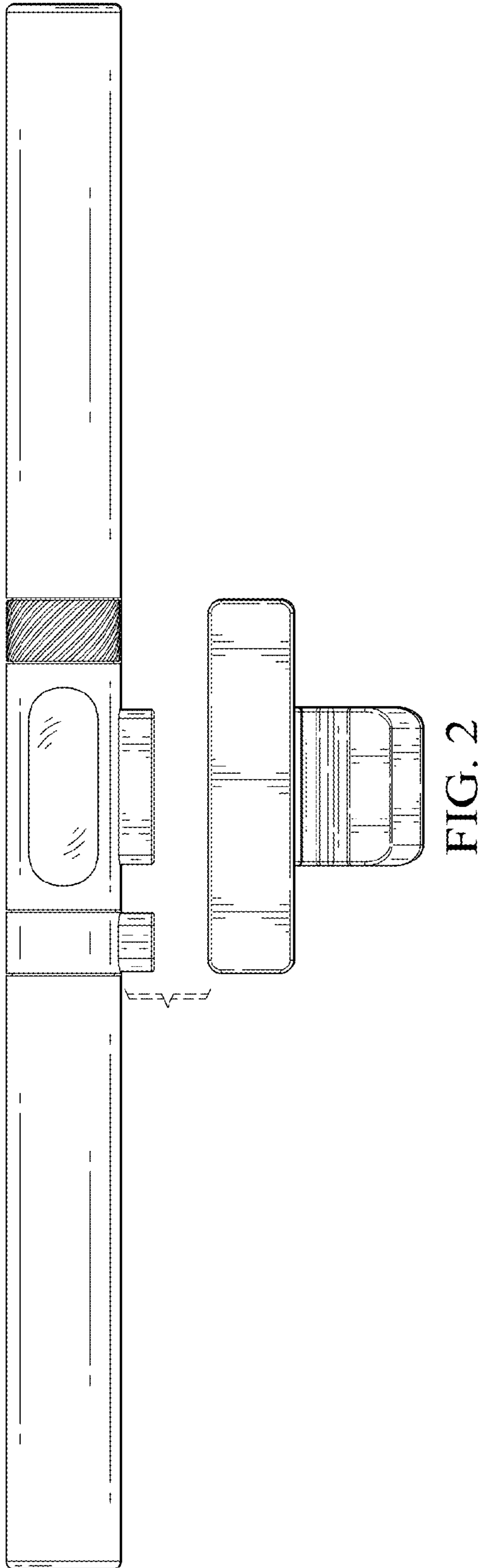


FIG. 1



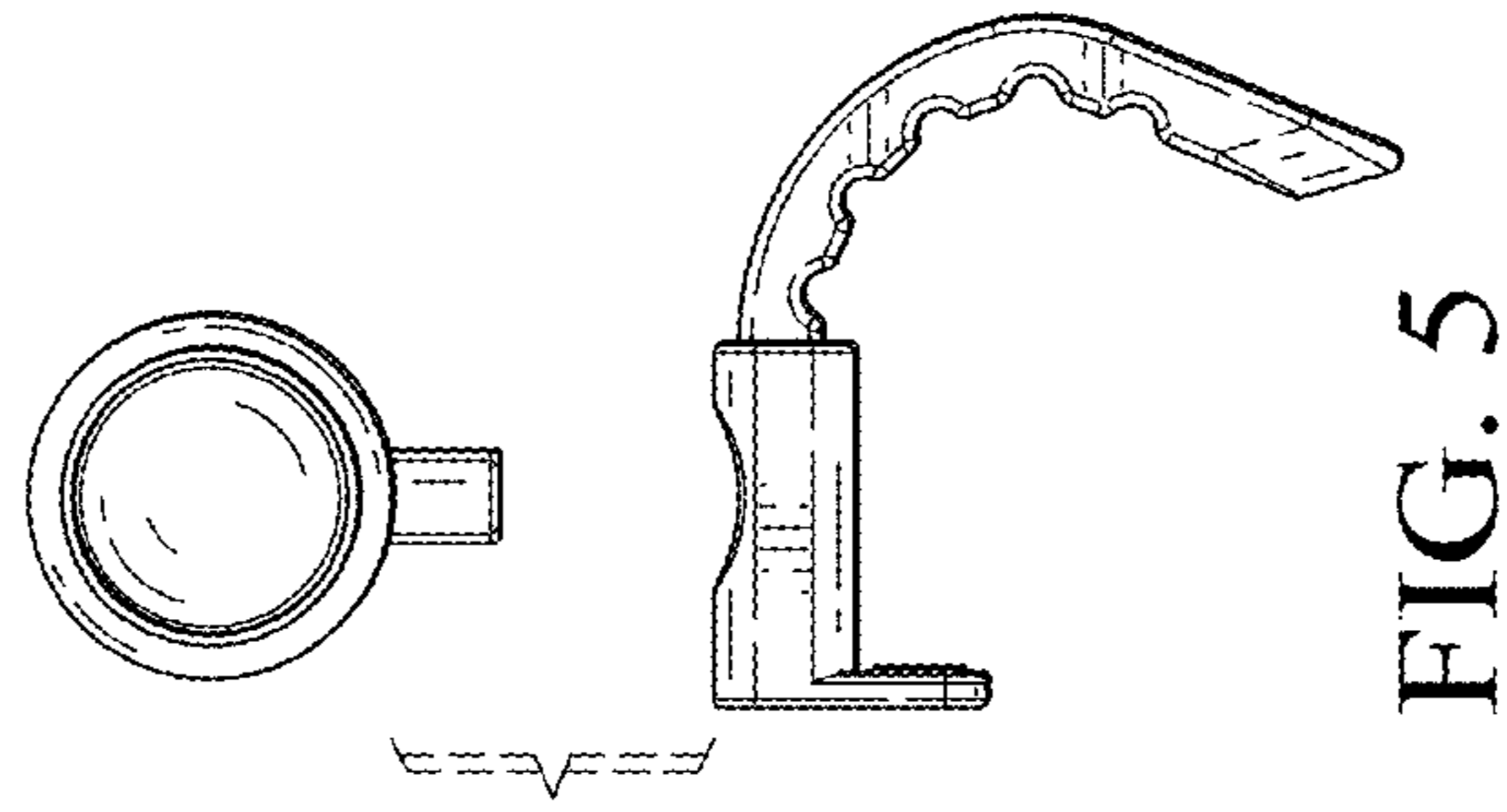


FIG. 5

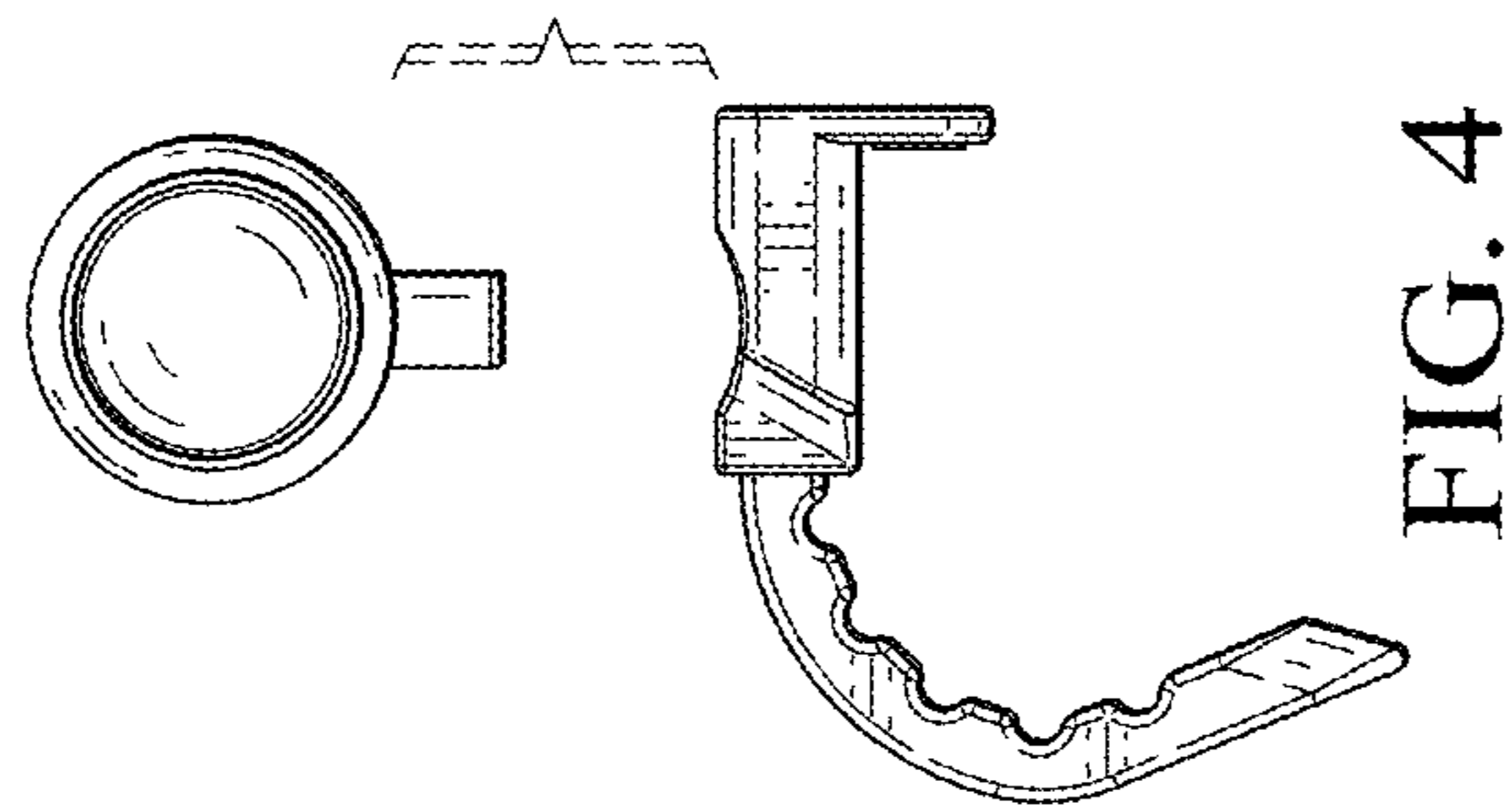


FIG. 4

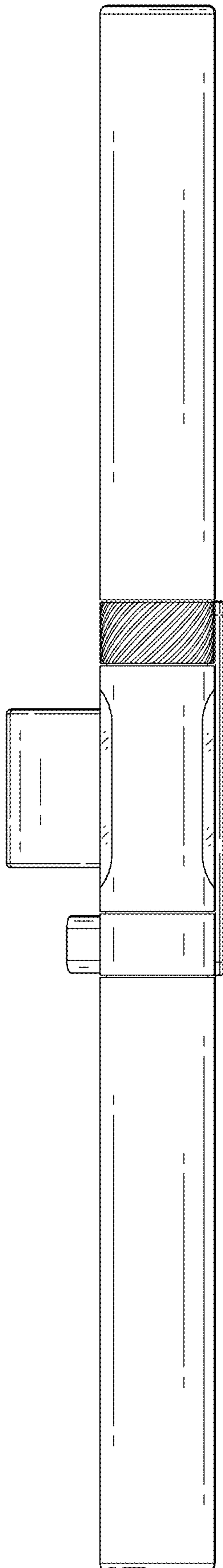


FIG. 6

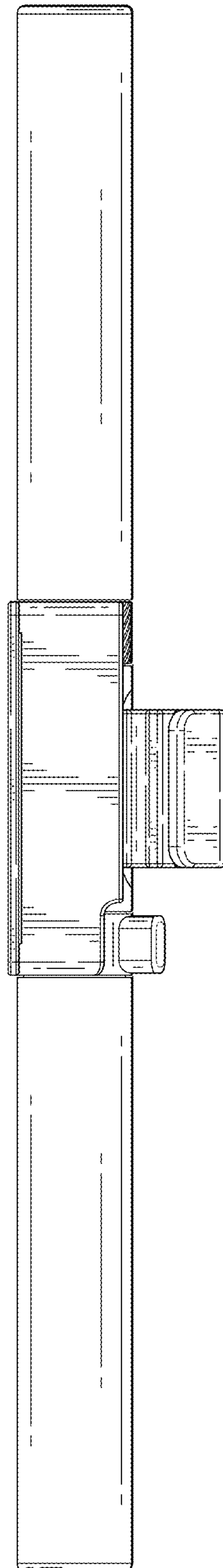


FIG. 7

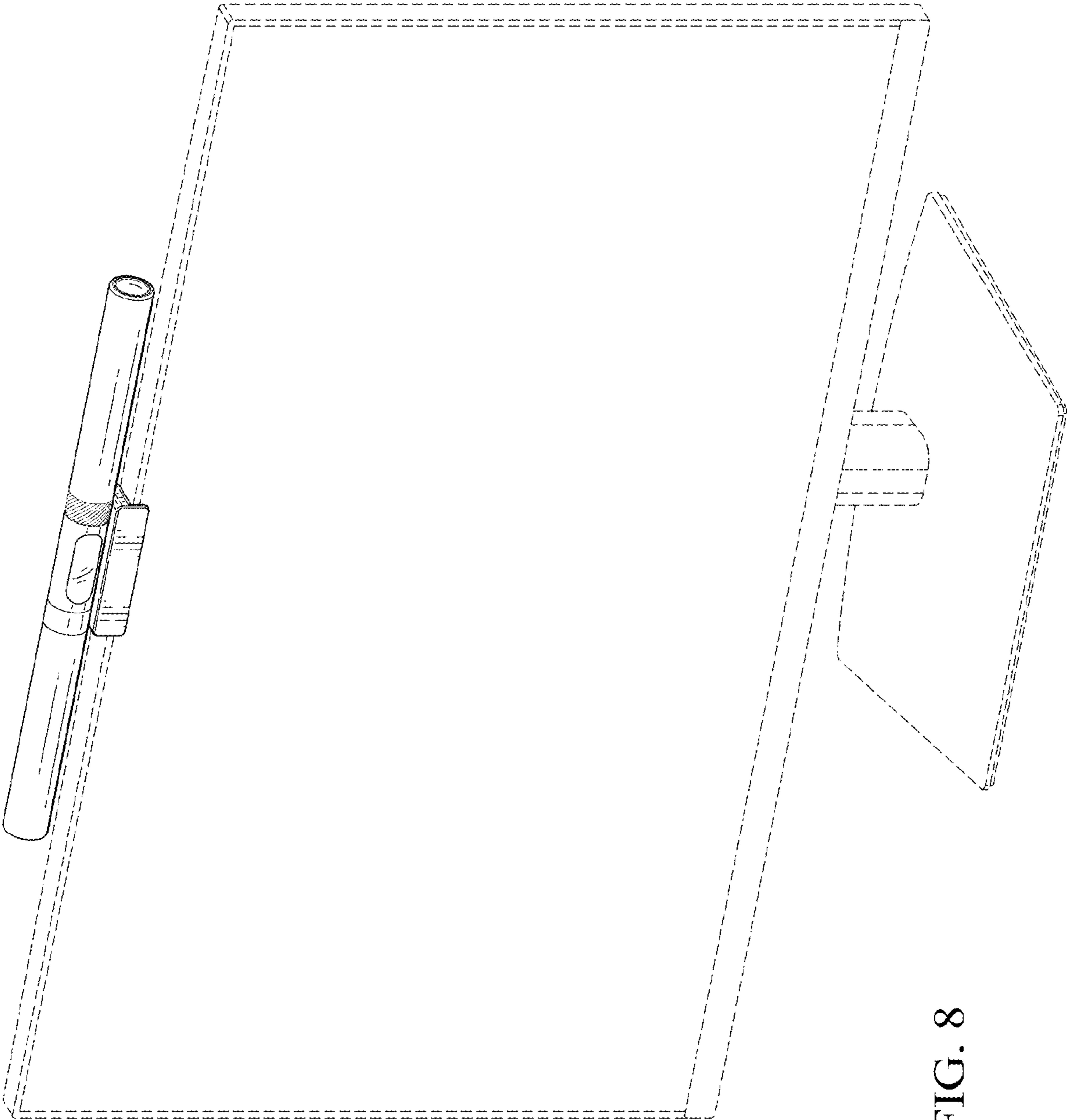


FIG. 8

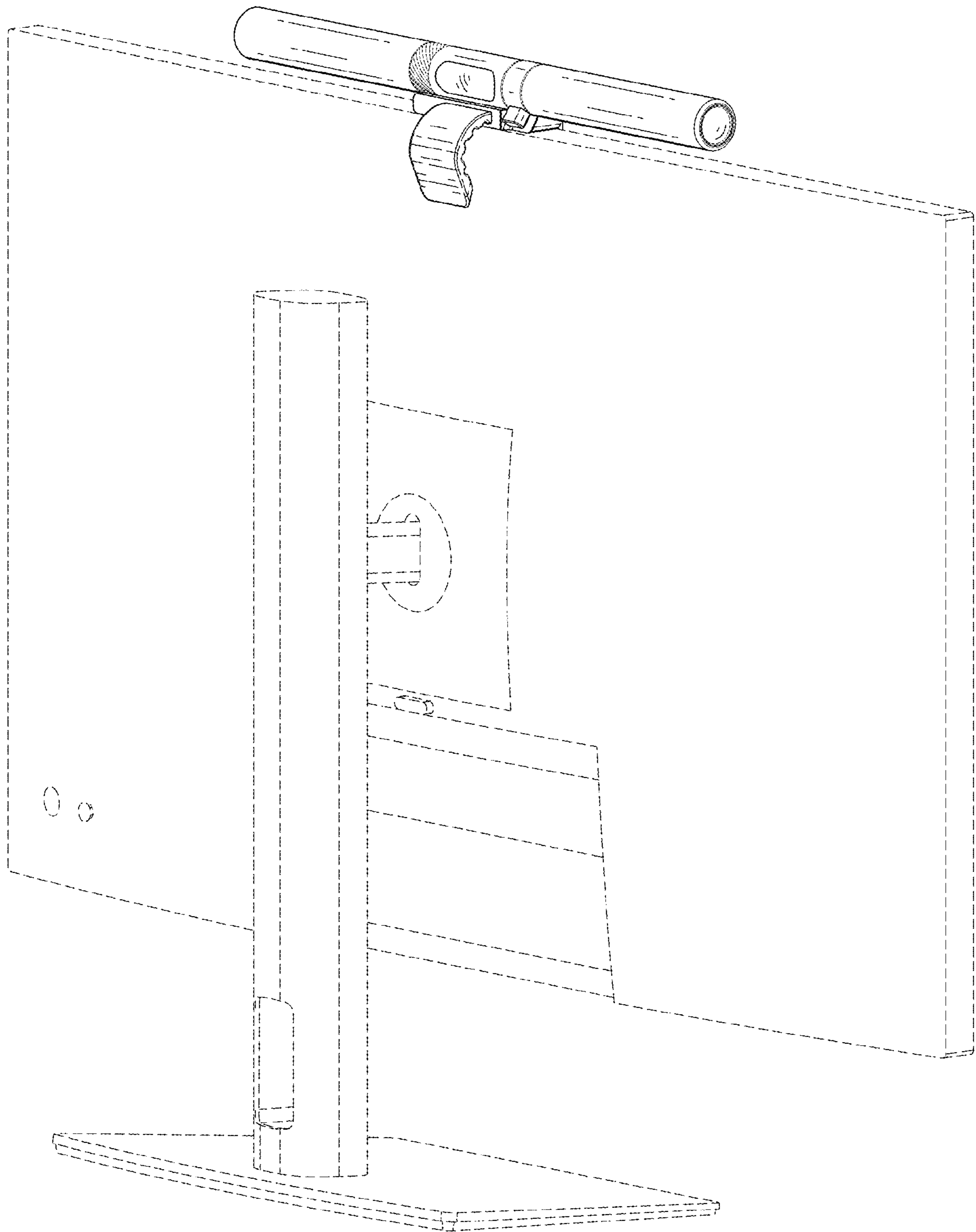


FIG. 9