



US00D979532S

(12) **United States Design Patent** (10) **Patent No.:** **US D979,532 S**
Huang (45) **Date of Patent:** **** Feb. 28, 2023**

(54) **SOUNDING DEVICE FOR BABY SLEEPING**

8,870,146 B2 * 10/2014 Vogel F16M 11/14
248/371

(71) Applicant: **Xiaoming Huang**, Puning (CN)

D907,705 S * 1/2021 Soute D21/333
2008/0017764 A1 * 1/2008 Nan F16M 13/02

(72) Inventor: **Xiaoming Huang**, Puning (CN)

601/127

(**) Term: **15 Years**

* cited by examiner

(21) Appl. No.: **29/746,172**

Primary Examiner — Khawaja Anwar

(22) Filed: **Aug. 12, 2020**

Assistant Examiner — Megan Tiana Rakos

(51) **LOC (14) Cl.** **14-01**

(74) *Attorney, Agent, or Firm* — Rumit Ranjit Kanakia

(52) **U.S. Cl.**

(57) **CLAIM**

USPC **D14/203.1**

The ornamental design for a sounding device for baby sleeping, as shown and described.

(58) **Field of Classification Search**

DESCRIPTION

USPC ... D14/356, 204, 209, 207, 211, 197, 203.1,
D14/203.3, 333, 168; D13/168;
D21/578, 630, 659; D24/110; D15/199;
D8/14

FIG. 1 is a perspective view of a sounding device for baby sleeping showing my new design;
FIG. 2 is another perspective view thereof.
FIG. 3 is a front view thereof;
FIG. 4 is a back view thereof;
FIG. 5 is a right-side view thereof;
FIG. 6 is a left-side view thereof;
FIG. 7 is a top view thereof; and,
FIG. 8 is a bottom view thereof.

CPC H04R 9/06; H04R 1/2873; H04R 1/026;
A47G 29/00; F16M 13/00; F16M 13/02;
F16M 11/04; F16M 11/14

See application file for complete search history.

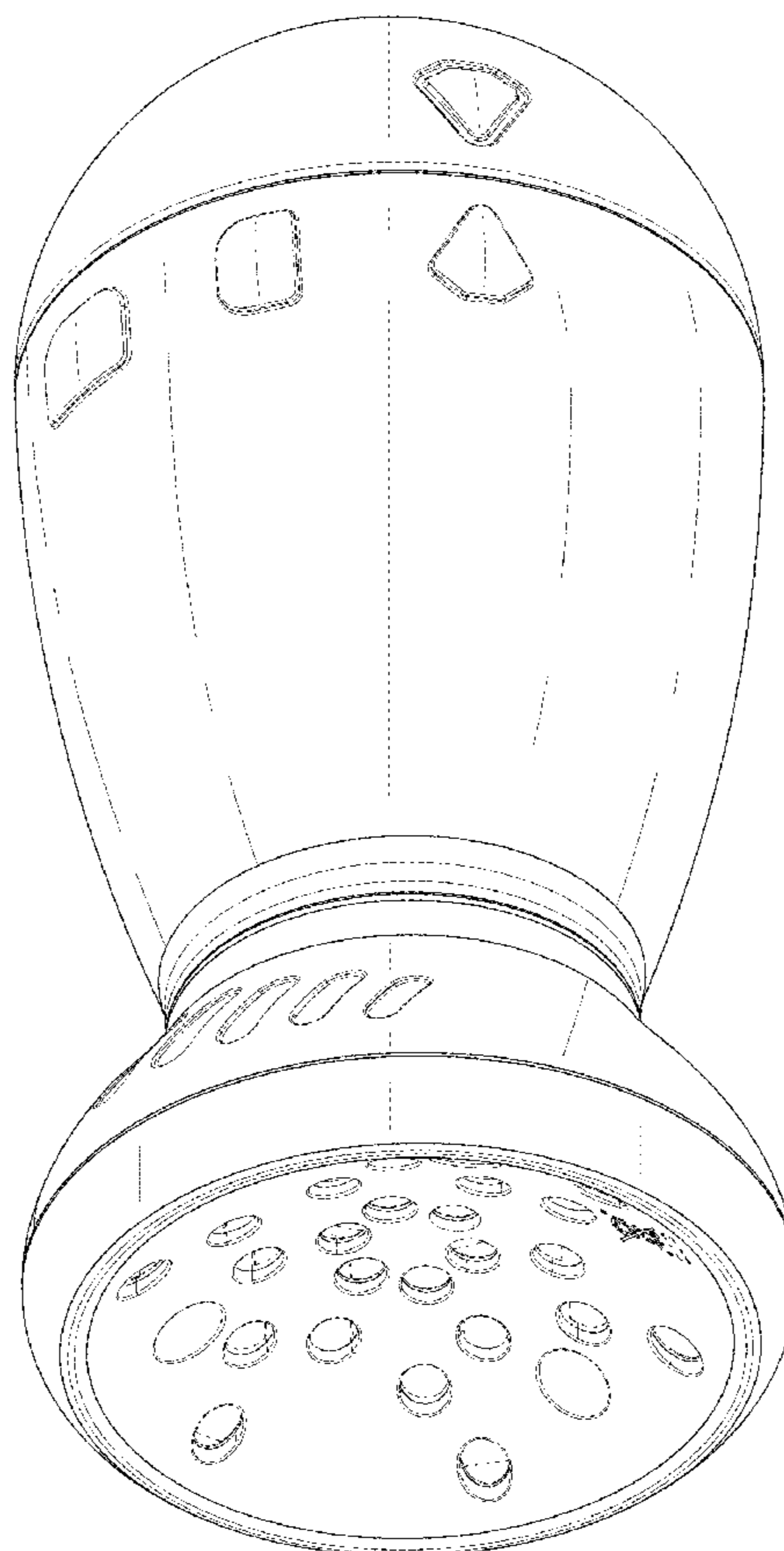
The broken lines are for the purpose of illustrating portions of the article that form no part of the claim.

(56) **References Cited**

1 Claim, 8 Drawing Sheets

U.S. PATENT DOCUMENTS

- D374,596 S * 10/1996 Delchev D14/217
- D692,460 S * 10/2013 Zunker D14/496
- D708,677 S * 7/2014 Baumann D21/407



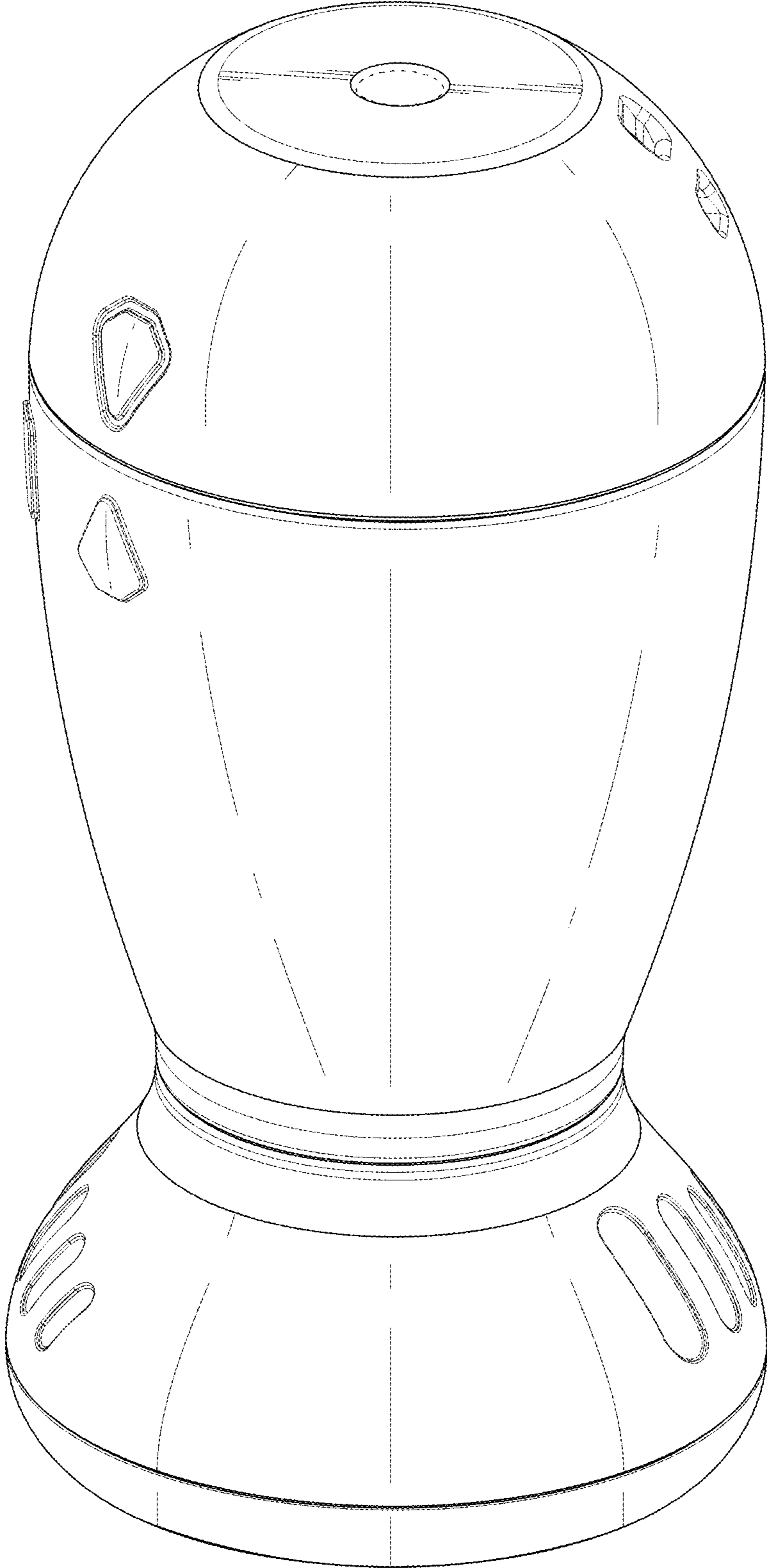


FIG. 1

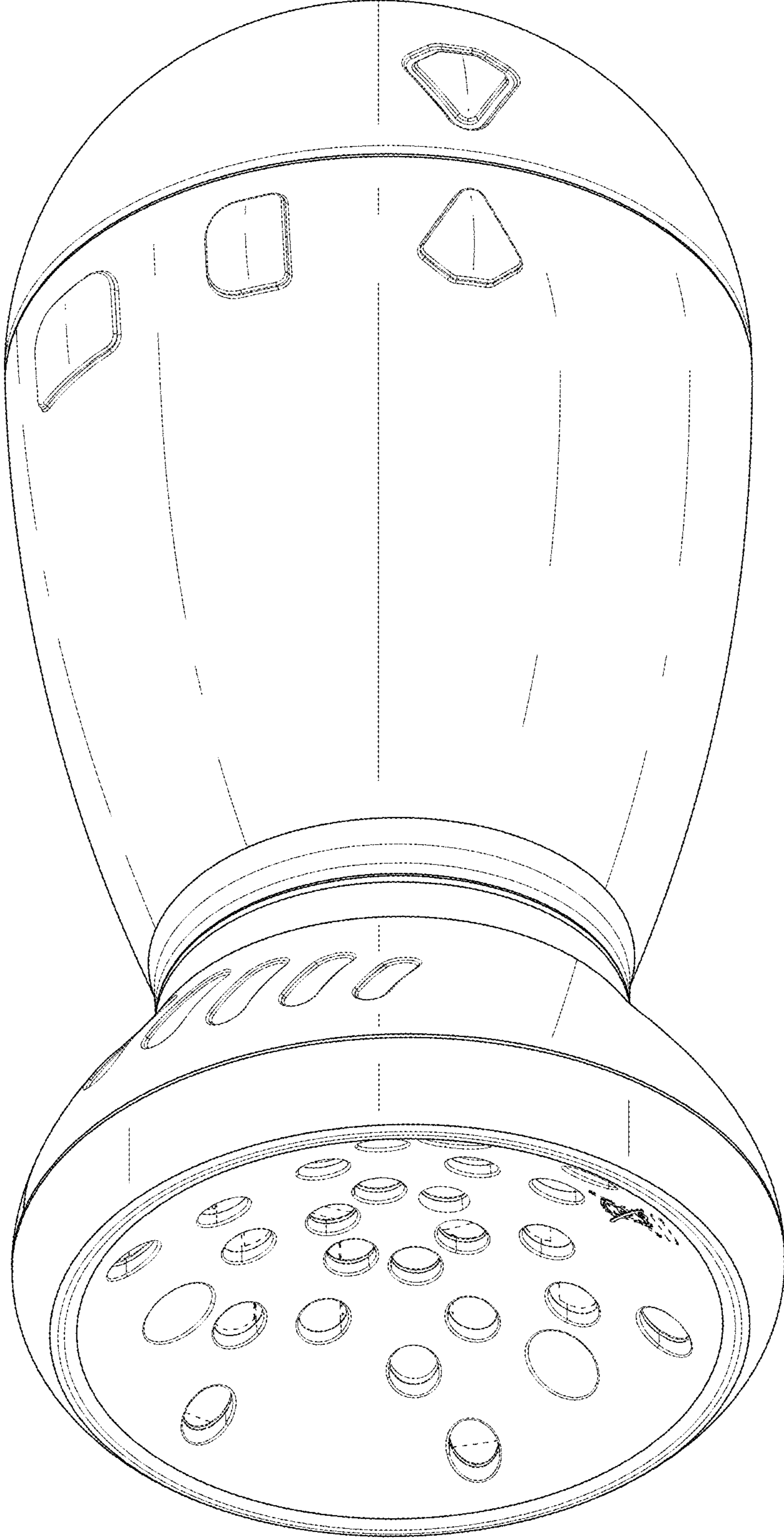


FIG. 2

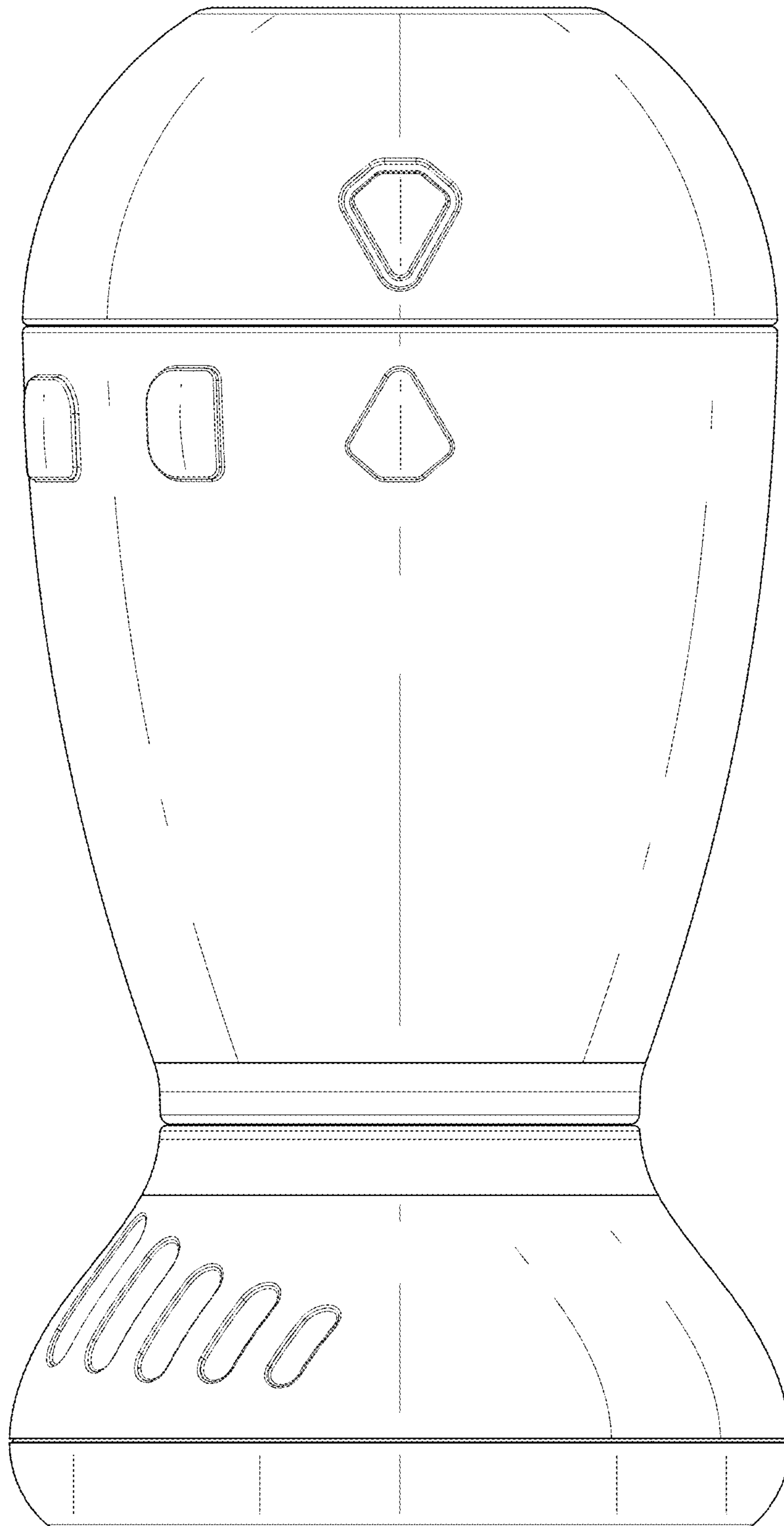


FIG. 3

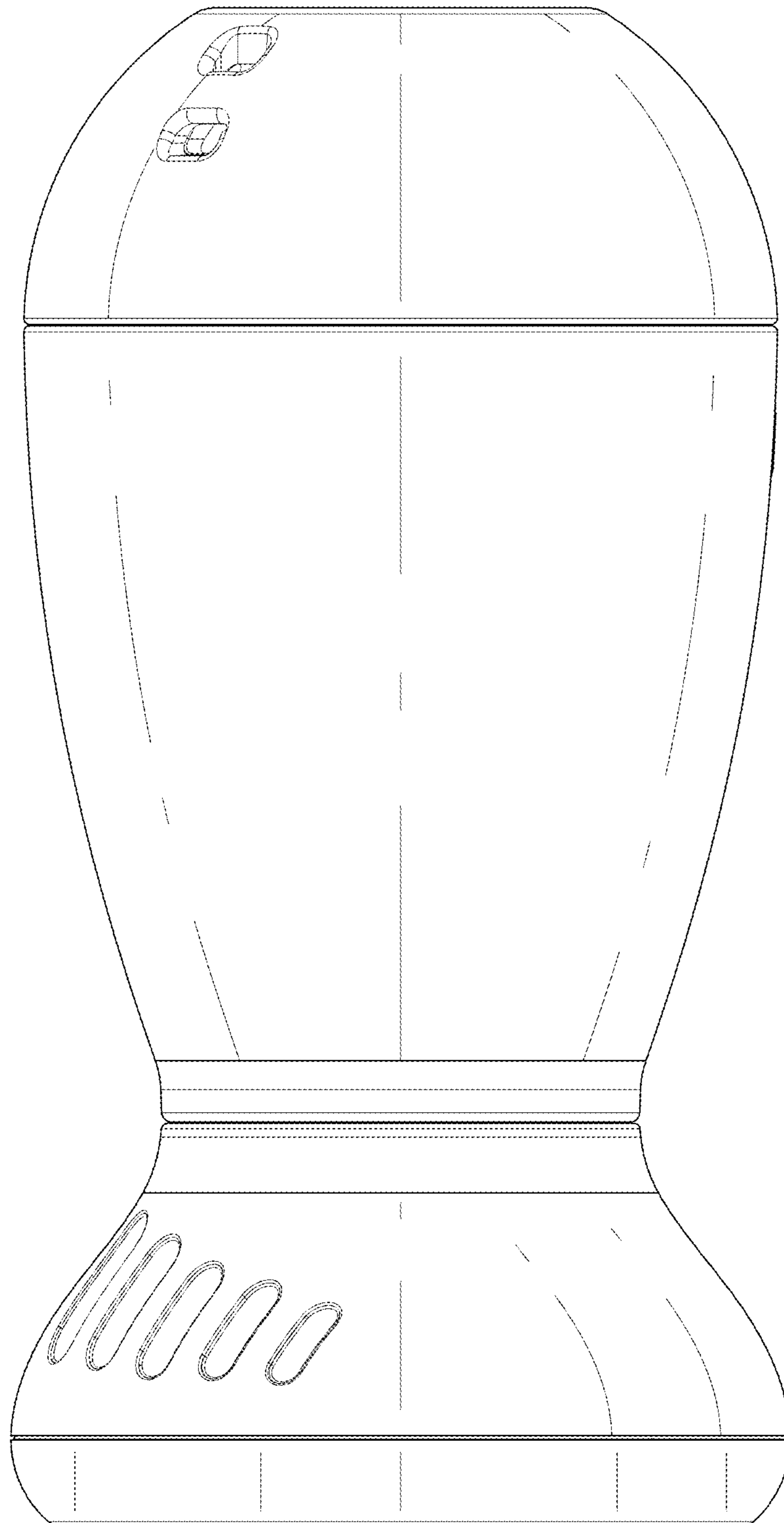


FIG. 4

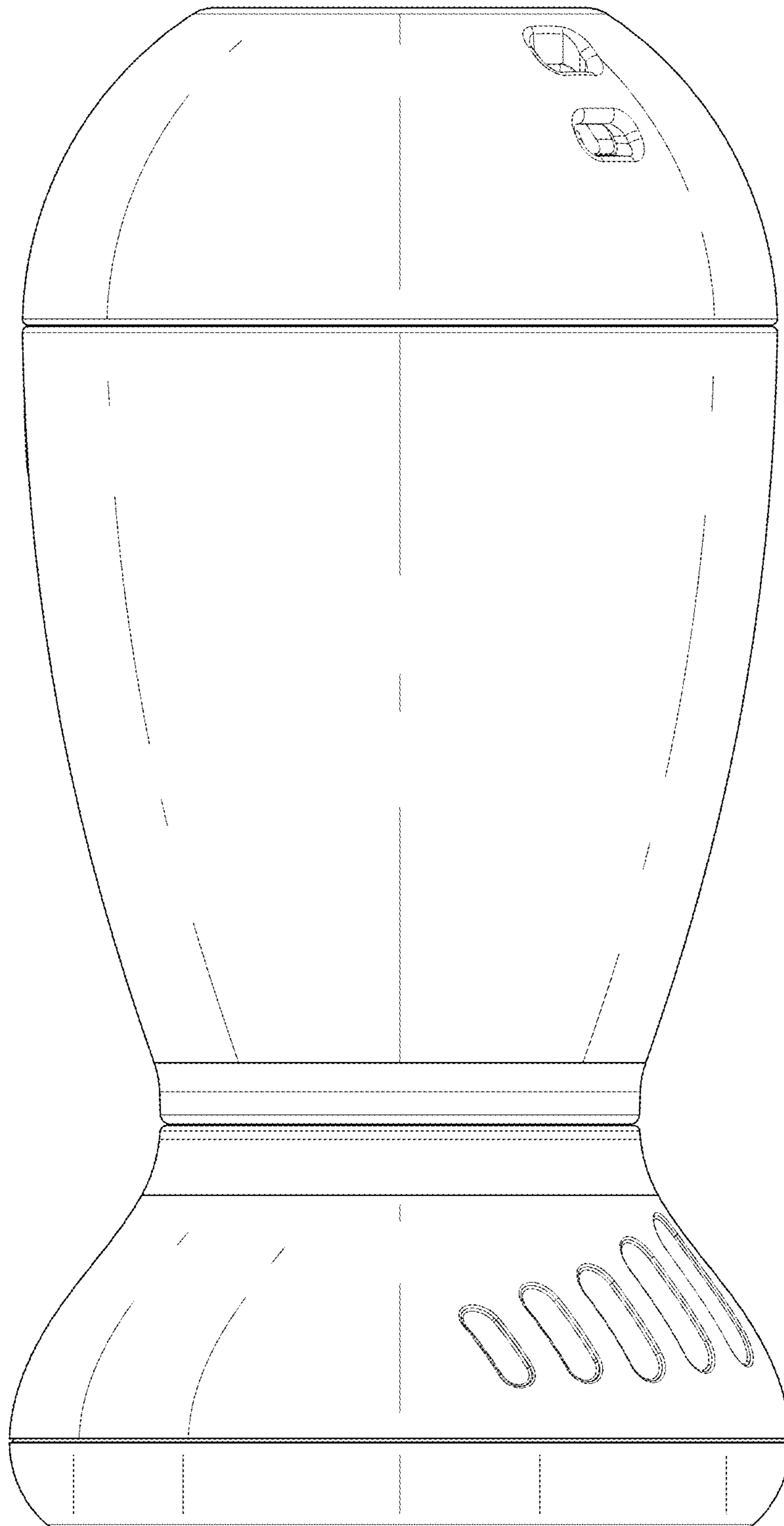


FIG. 5

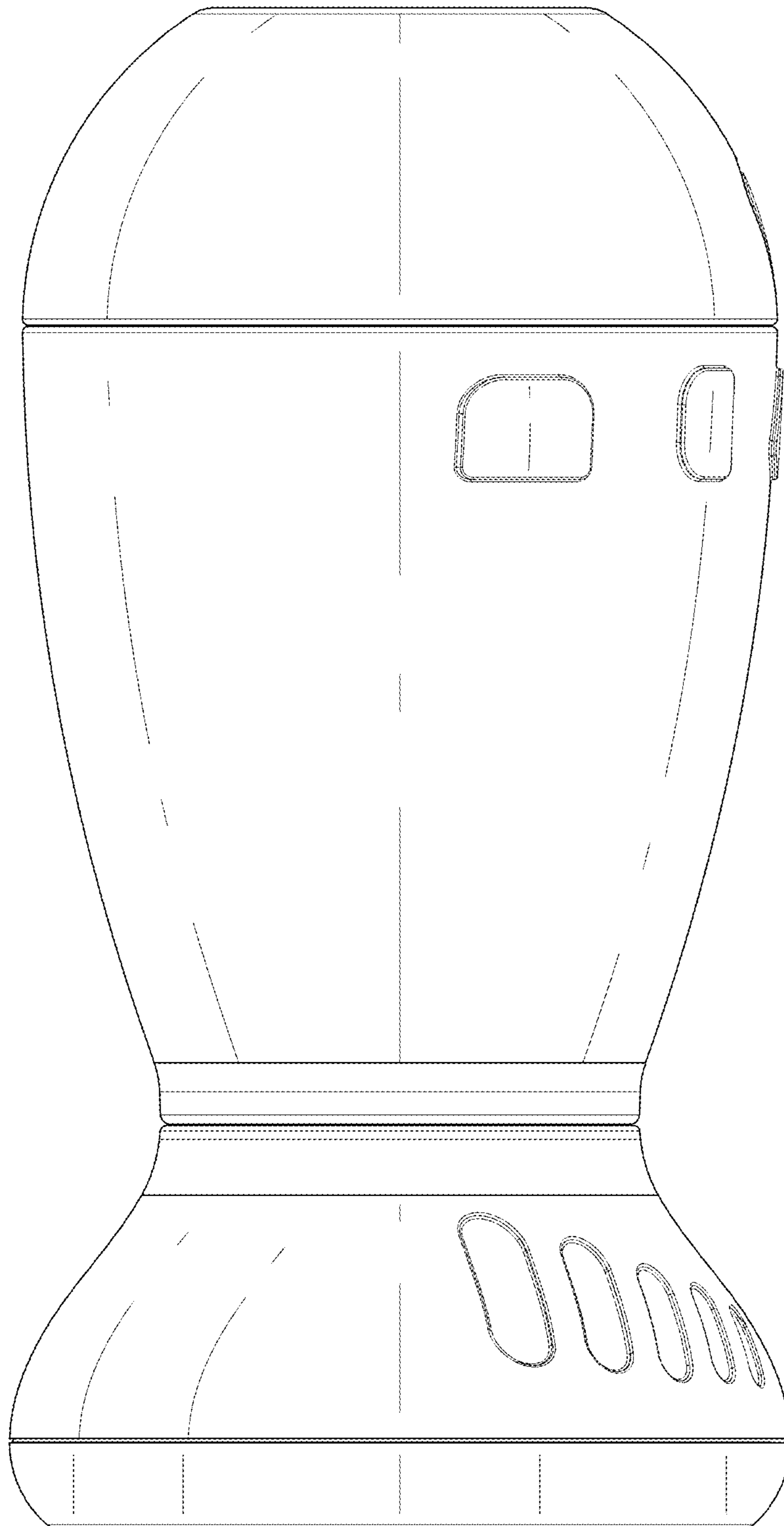


FIG. 6

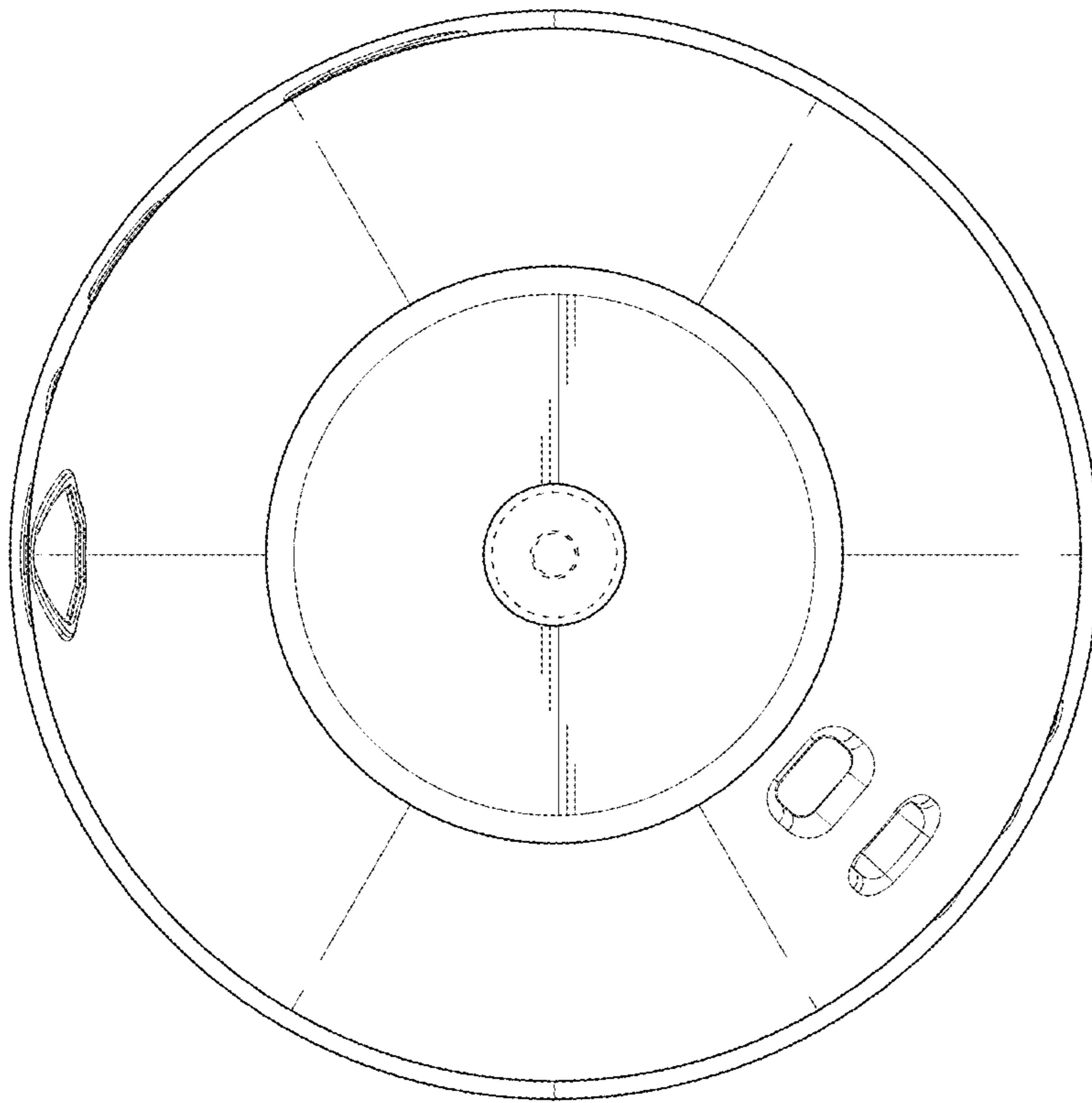


FIG. 7

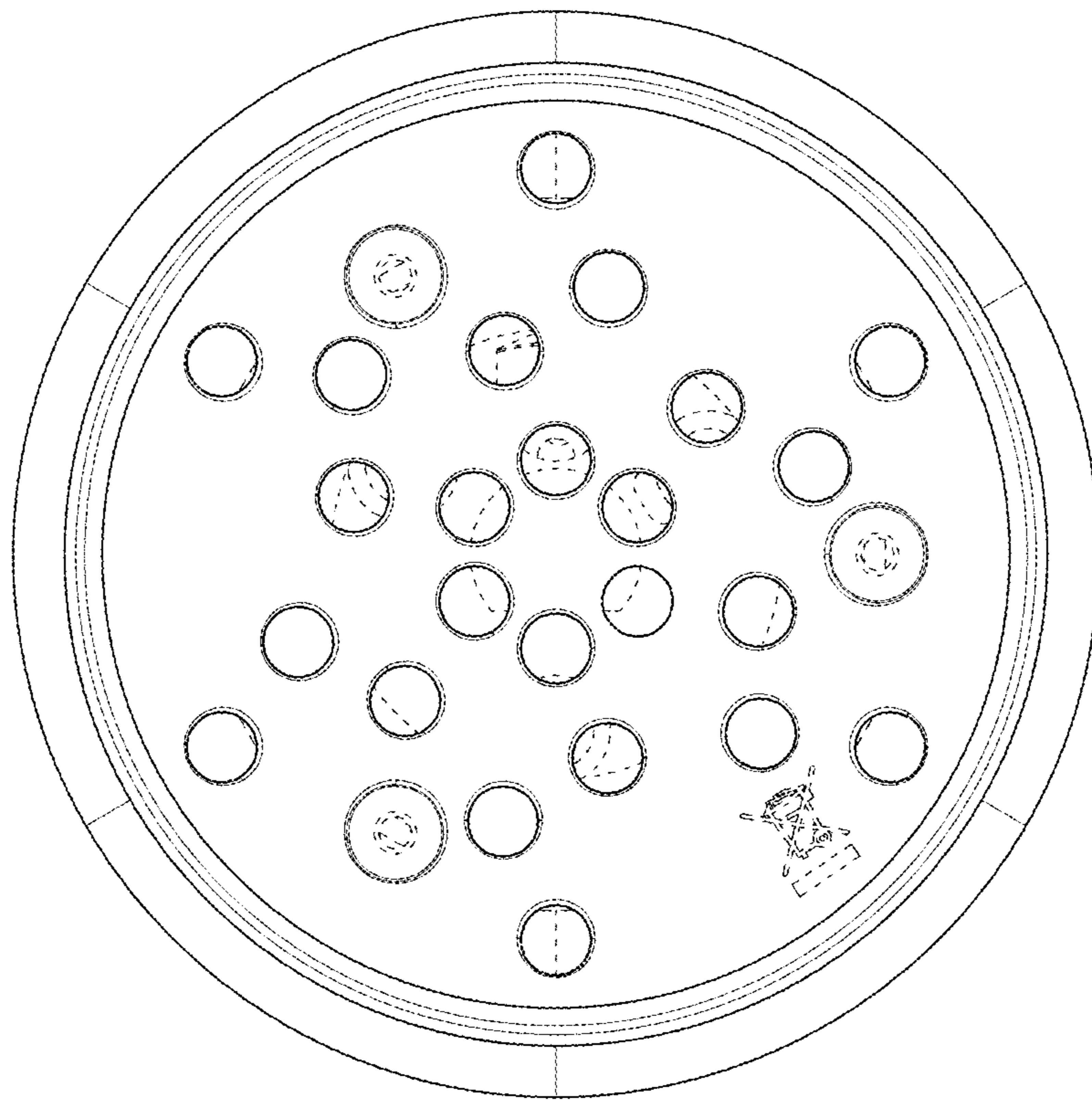


FIG. 8