



US00D979531S

(12) **United States Design Patent** (10) **Patent No.:** **US D979,531 S**  
**Choe** (45) **Date of Patent:** **\*\* Feb. 28, 2023**

(54) **ACOUSTIC AMPLIFIER**

(56) **References Cited**

(71) Applicant: **JVCKENWOOD Corporation,**  
Yokohama (JP)

U.S. PATENT DOCUMENTS

(72) Inventor: **Jeong-ju Choe,** Yokohama (JP)

D208,983 S	*	10/1967	Winston	.....	D14/188
D343,394 S	*	1/1994	Kakizaki	.....	D14/188
D464,327 S	*	10/2002	Frank, Jr.	.....	D14/188
D565,021 S	*	3/2008	Wilson	.....	D14/188
D625,692 S	*	10/2010	Homuth	.....	D13/162
D656,120 S	*	3/2012	Sasaki	.....	D14/188
D906,285 S	*	12/2020	Miyake	.....	D14/214
D954,017 S	*	6/2022	Mitsunaga	.....	D14/188

(73) Assignee: **JVCKENWOOD Corporation,**  
Yokohama-Shi (JP)

(\*\*) Term: **15 Years**

\* cited by examiner

(21) Appl. No.: **29/778,838**

*Primary Examiner* — Keli L Hill

(22) Filed: **Apr. 15, 2021**

(74) *Attorney, Agent, or Firm* — Amin, Turocy & Watson,  
LLP

(30) **Foreign Application Priority Data**

Nov. 4, 2020 (JP) ..... 2020-023782 D

(51) **LOC (14) Cl.** ..... **14-03**

(57) **CLAIM**

(52) **U.S. Cl.**  
USPC ..... **D14/188**

The ornamental design for an acoustic amplifier, as shown and described.

(58) **Field of Classification Search**

USPC ..... D14/167, 168, 170–172, 188, 194–197,  
D14/203.1–203.8, 204, 209.1, 210–217,  
D14/219, 221, 222, 224, 239, 496  
CPC ..... B60R 11/0217; G06F 1/1688; G10K 9/22;  
G10K 11/004; H03F 1/327; H04M 1/03;  
H04M 1/035; H04N 5/642; H04N  
21/4852; H04R 1/02; H04R 1/06; H04R  
1/021; H04R 1/025; H04R 1/026; H04R  
1/028; H04R 1/105; H04R 1/323; H04R  
1/403; H04R 1/2803; H04R 1/2834;  
H04R 5/02; H04R 7/20; H04R 9/06;  
H04R 9/025; H04R 2201/021; H04R  
2400/00; H04R 2400/07; H04R 2499/11;  
H04R 2499/13; H04R 2499/15; H04S  
3/00; H04S 7/30

**DESCRIPTION**

FIG. 1 is a left, front, and top perspective view of an acoustic amplifier;  
 FIG. 2 is front elevational view thereof;  
 FIG. 3 is a rear elevational view thereof;  
 FIG. 4 is a top plan view thereof;  
 FIG. 5 is a bottom plan view thereof;  
 FIG. 6 is a left side elevational view thereof; and,  
 FIG. 7 is a right side elevational view thereof.  
 The broken lines shown in the drawings illustrate portions of the acoustic amplifier that form no part of the claimed design.

See application file for complete search history.

**1 Claim, 7 Drawing Sheets**

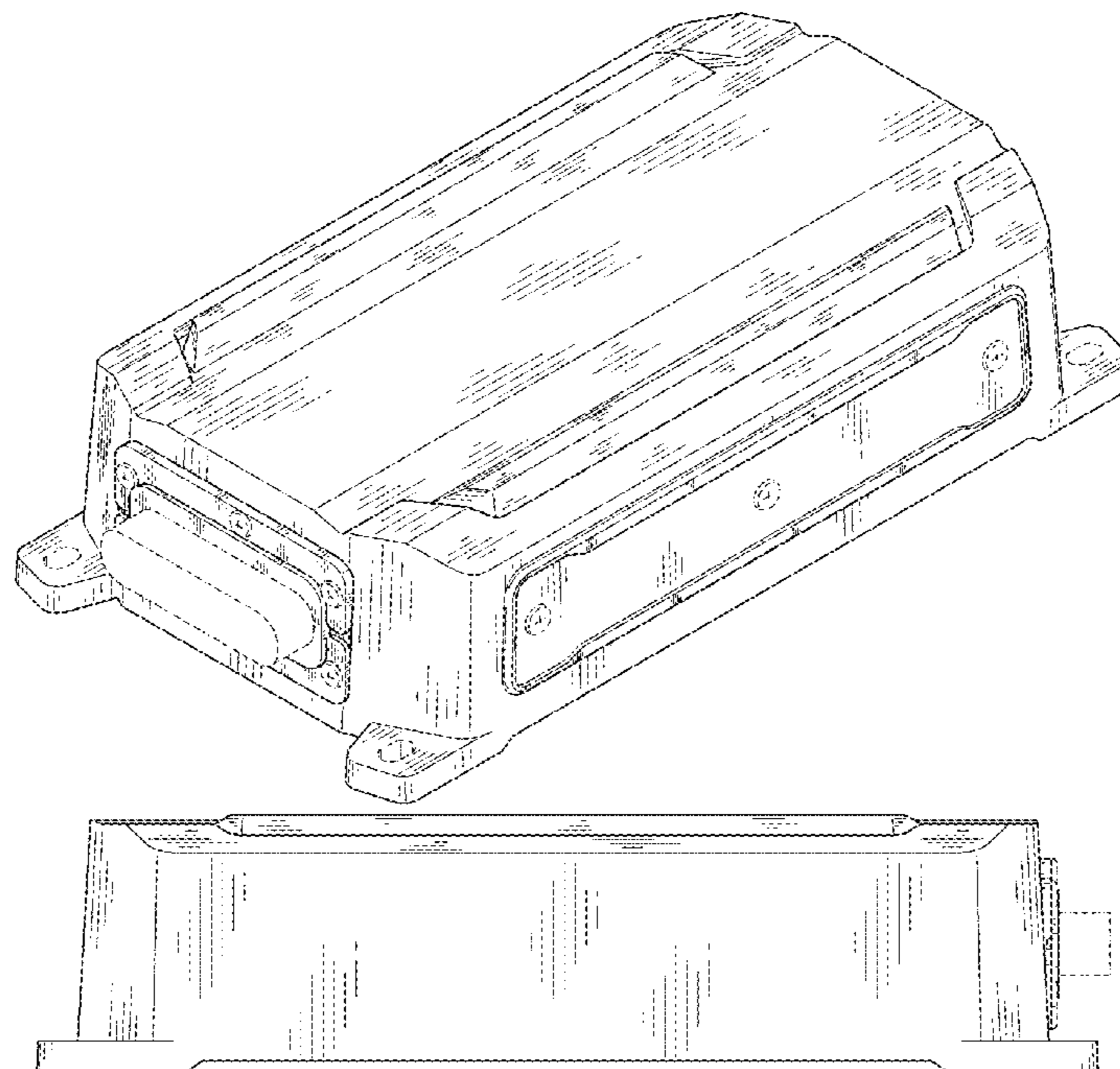


Fig.1

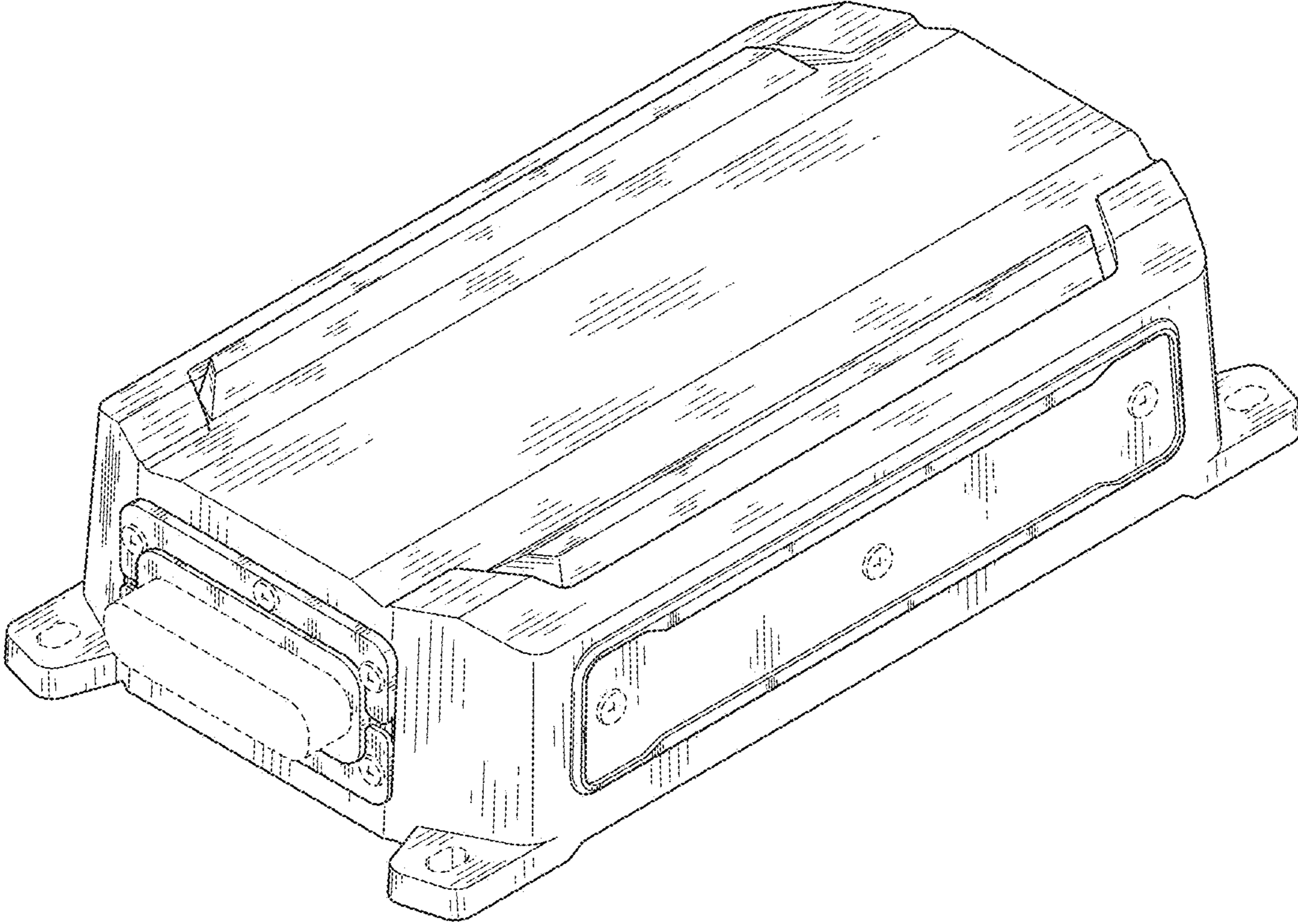


Fig.2

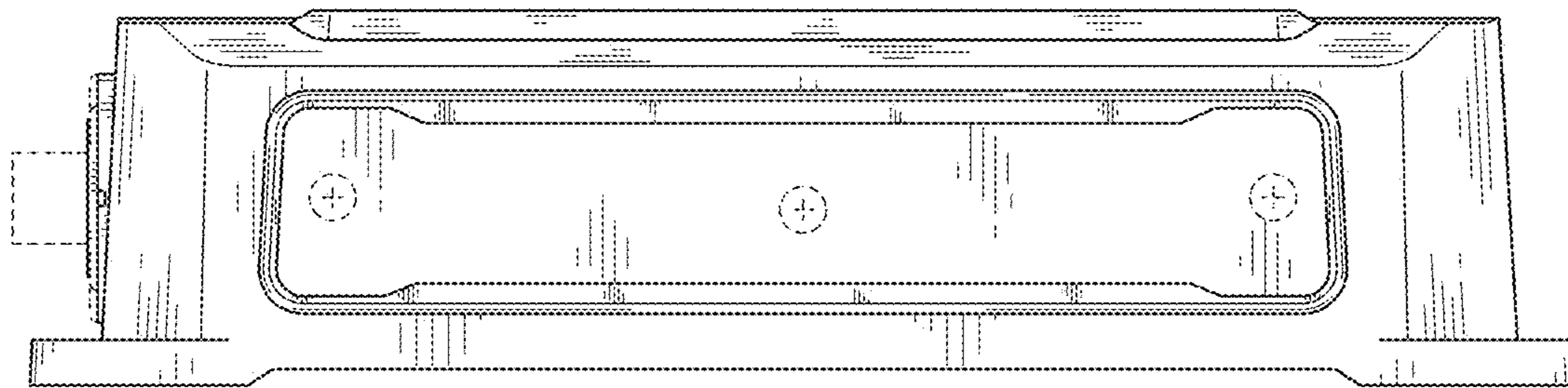


Fig.3

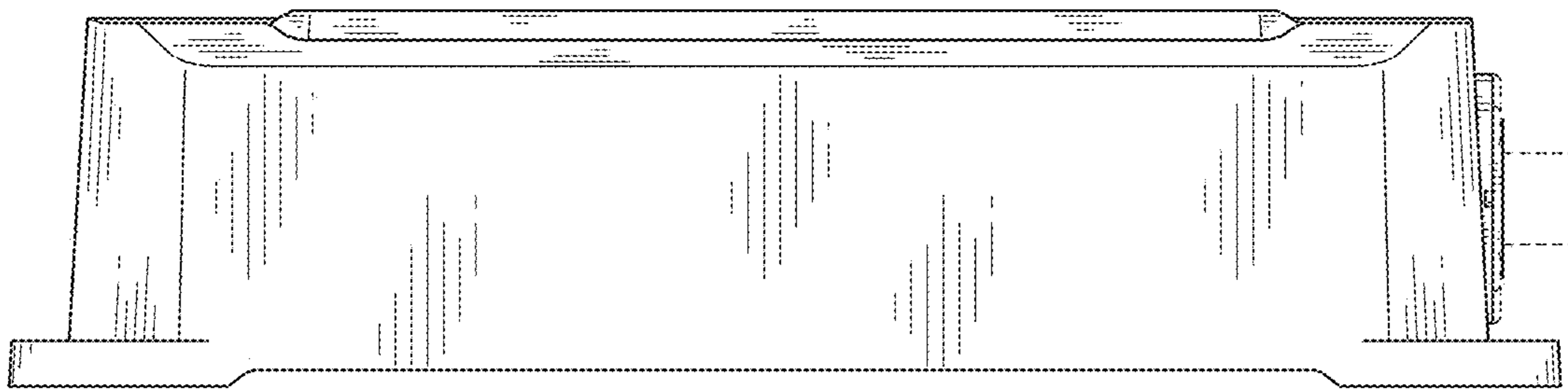


Fig.4

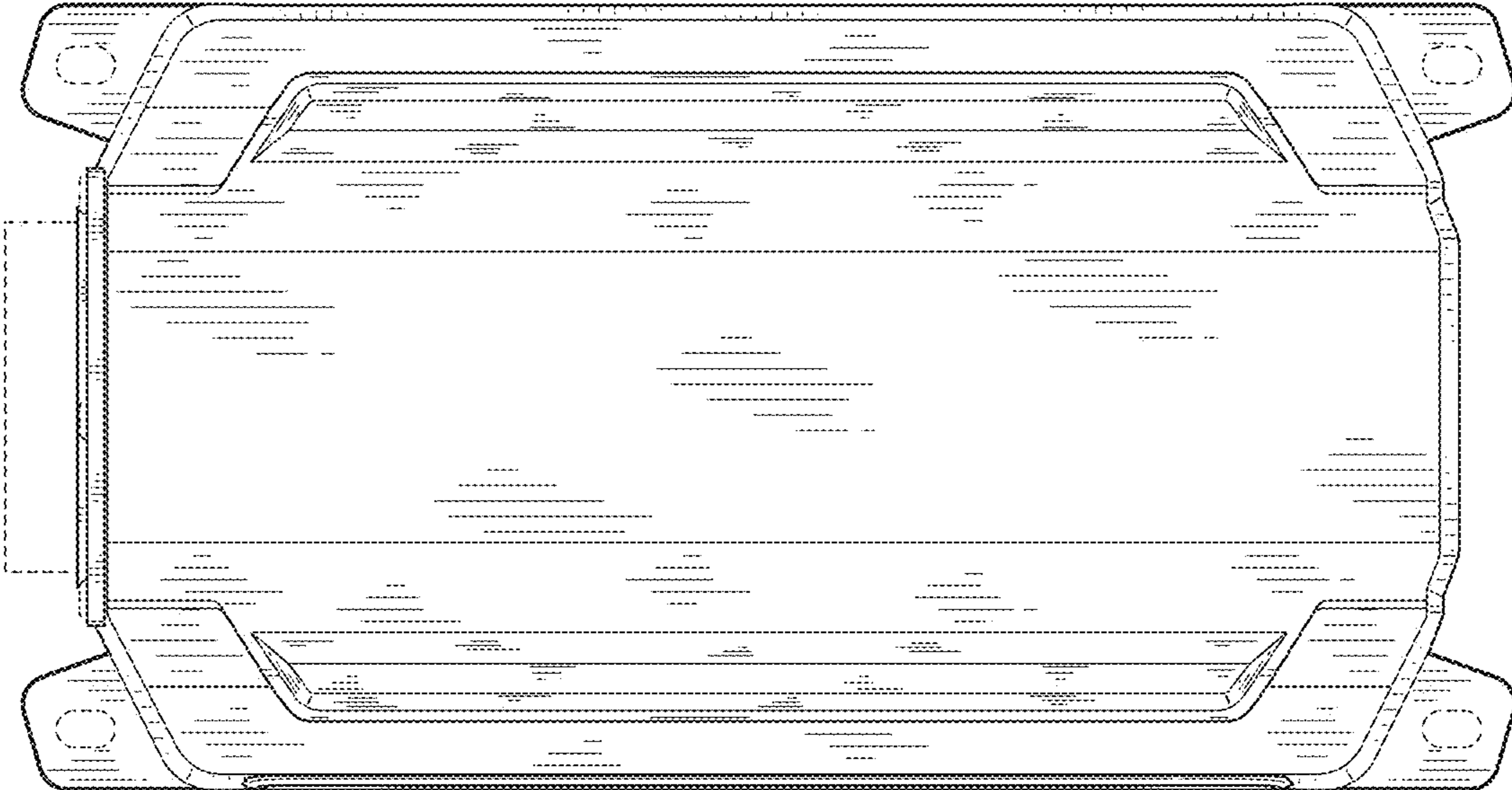


Fig.5

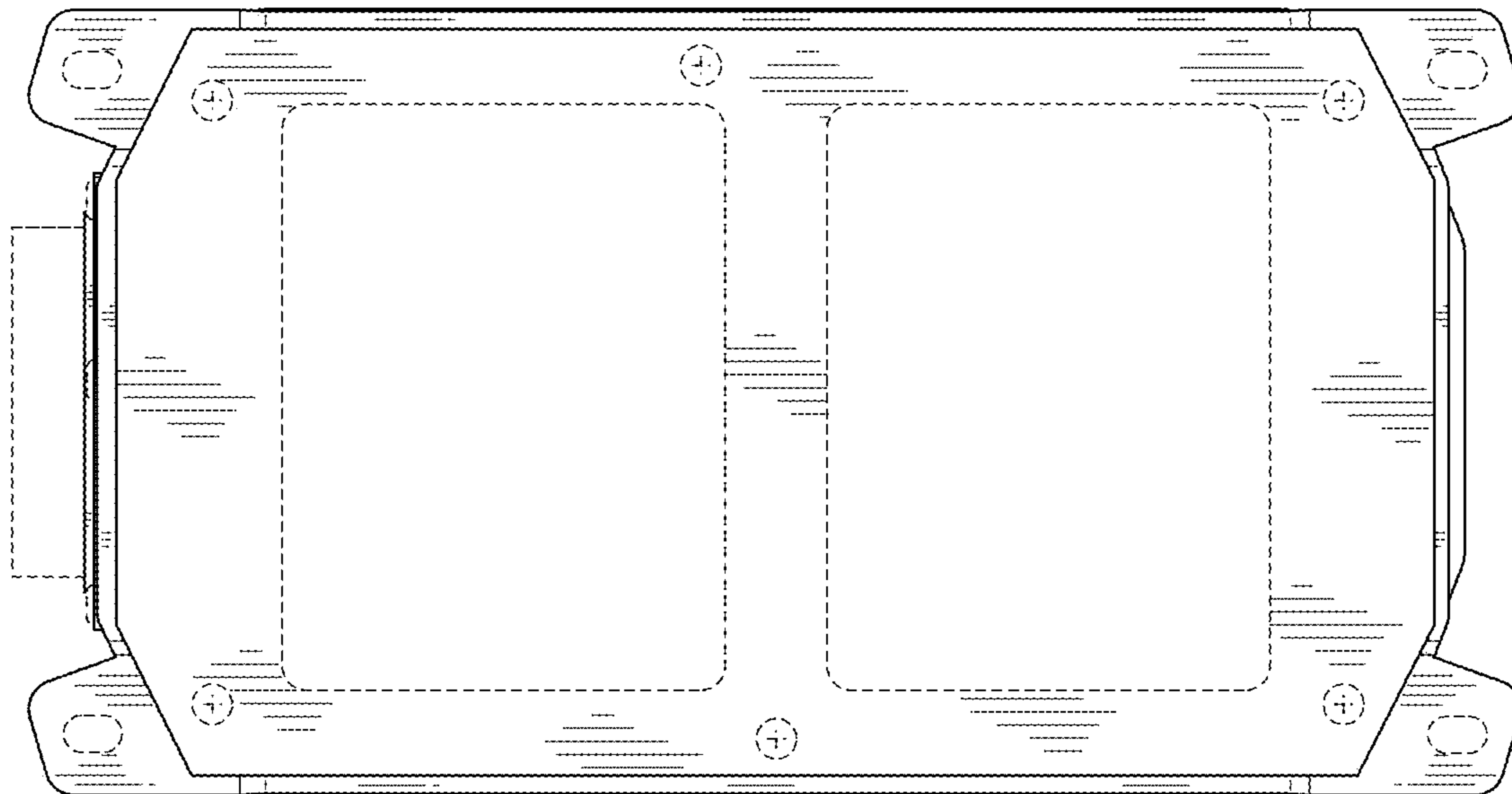


Fig.6

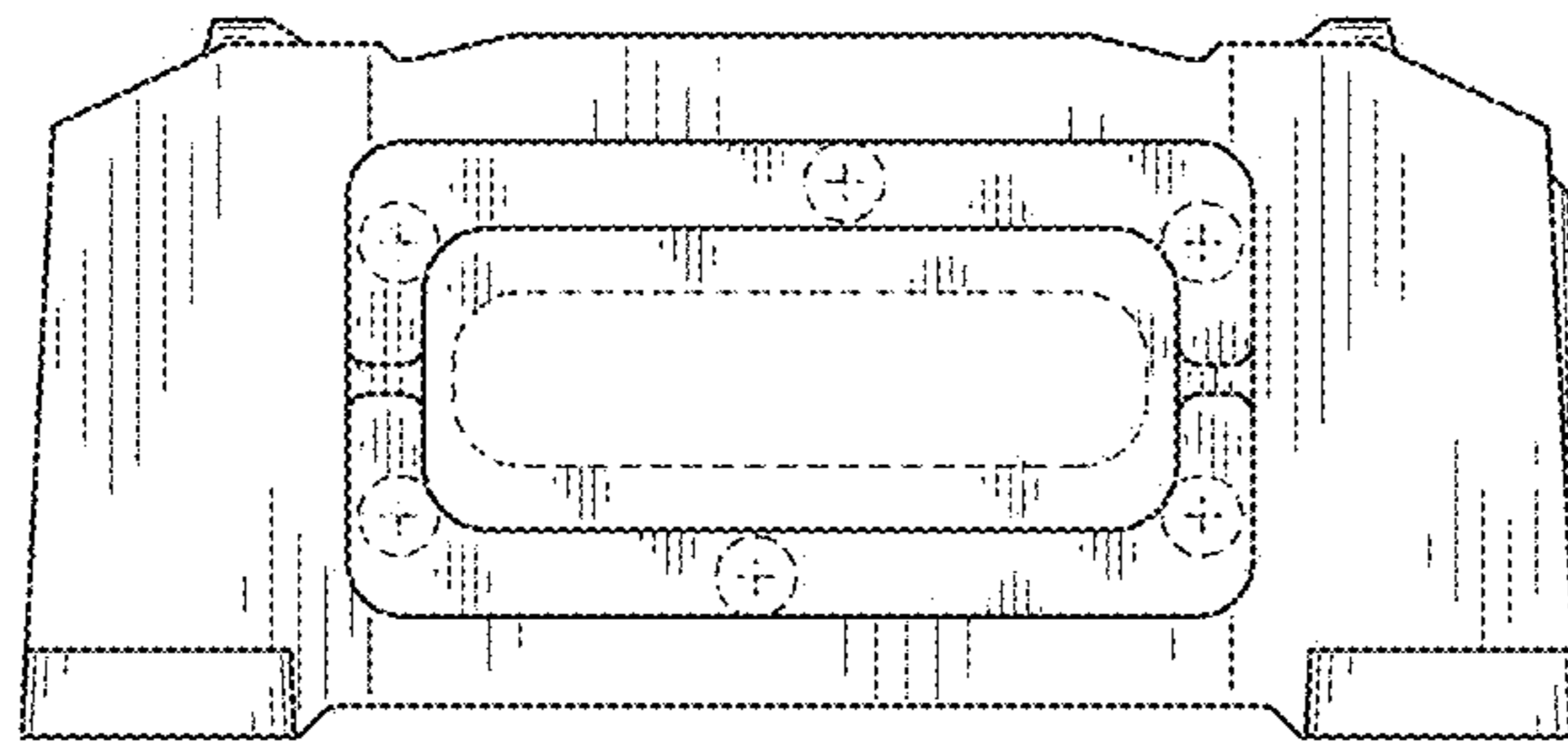


Fig.7

