

US00D979527S

(12) **United States Design Patent**
Zhang et al.

(10) **Patent No.:** **US D979,527 S**
(45) **Date of Patent:** **** Feb. 28, 2023**

(54) **MOBILE PHONE**

(71) Applicant: **BEIJING XIAOMI MOBILE SOFTWARE CO., LTD.**, Beijing (CN)

(72) Inventors: **Xuehu Zhang**, Beijing (CN);
Zhengquan Wang, Beijing (CN);
Hongwei Jin, Beijing (CN)

(73) Assignee: **BEIJING XIAOMI MOBILE SOFTWARE CO., LTD.**, Beijing (CN)

(**) Term: **15 Years**

(21) Appl. No.: **29/747,431**

(22) Filed: **Aug. 21, 2020**

(30) **Foreign Application Priority Data**

Feb. 24, 2020 (CN) 202030058246.0

(51) **LOC (14) Cl.** **14-03**

(52) **U.S. Cl.**
USPC **D14/138 AB**

(58) **Field of Classification Search**
USPC D14/138 R, 138 G, 138 AA, 138 AB,
D14/138 AC, 138 AD, 496, 248, 203.1,
D14/203.3, 203.4, 203.7, 388, 389, 439,
D14/426, 348, 342, 341; D13/103, 107;
D21/329; D10/50

(Continued)

(56) **References Cited**

U.S. PATENT DOCUMENTS

D841,646 S * 2/2019 Son D14/345
10,429,894 B2 * 10/2019 Xia G06F 1/1652

(Continued)

OTHER PUBLICATIONS

Huawei's Mate X foldable phone is a thinner 5G rival to the Galaxy Fold, www.theverge.com, Feb. 24, 2019. <https://www.theverge.com>.

com/2019/2/24/18238269/huawei-foldable-phone-mate-x-price-release-date-specs-mwc-2019 (Year: 2019).*

(Continued)

Primary Examiner — Llorellys Martinez

Assistant Examiner — Kwabena A. Ankobiah

(74) *Attorney, Agent, or Firm* — Syncoda LLC; Junjie Feng

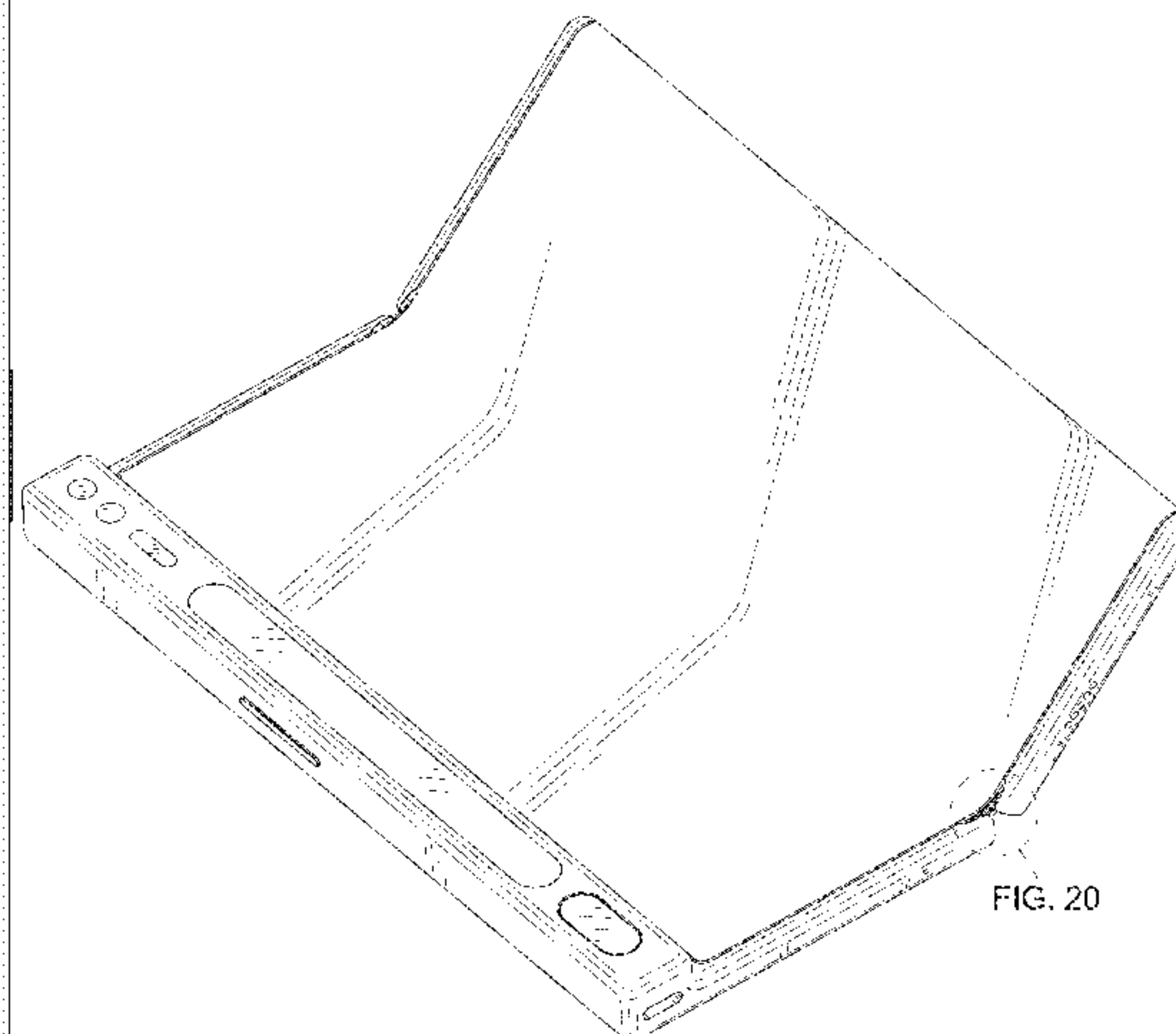
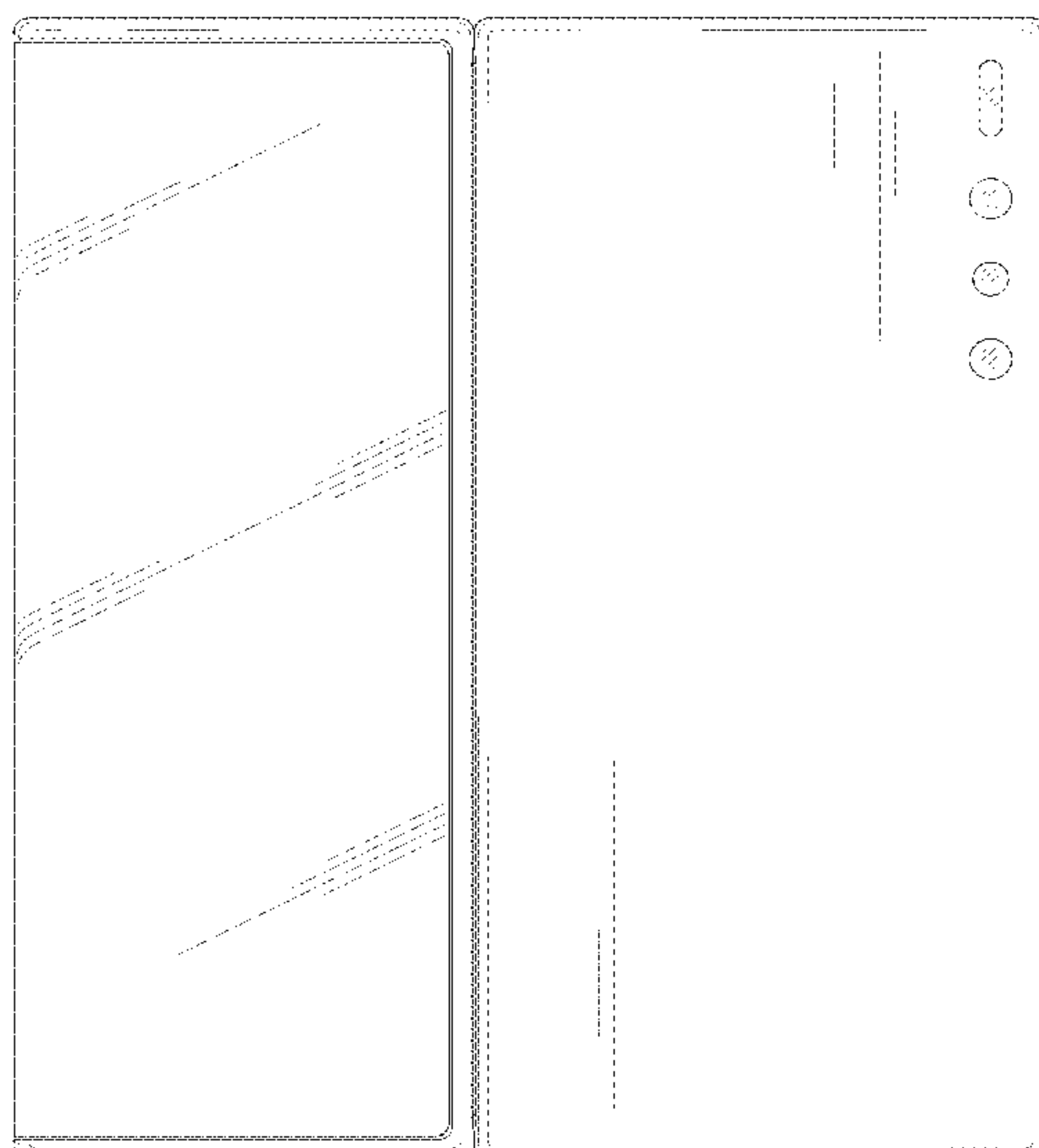
(57) **CLAIM**

The ornamental design for a mobile phone, as shown and described.

DESCRIPTION

FIG. 1 is a front view of a mobile phone showing the new design;
FIG. 2 is a back view thereof;
FIG. 3 is a left side view thereof;
FIG. 4 is a right side view thereof;
FIG. 5 is a top view thereof;
FIG. 6 is a bottom view thereof;
FIG. 7 is a front perspective view thereof;
FIG. 8 is a back perspective view thereof;
FIG. 9 is a front view of the mobile phone of FIG. 1 shown in an unfolded state;
FIG. 10 is a back view thereof;
FIG. 11 is a left side view thereof;
FIG. 12 is a right side view thereof;
FIG. 13 is a top view thereof;
FIG. 14 is a bottom view thereof;
FIG. 15 is a front perspective view thereof;
FIG. 16 is a front perspective view thereof;
FIG. 17 is a front perspective view of the mobile phone of FIG. 1, shown in another unfolded state;
FIG. 18 is a front perspective view thereof;
FIG. 19 is a right side perspective view thereof;
FIG. 20 is an enlarged view of a portion of FIG. 17; and,
FIG. 21 is an enlarged view of a portion of FIG. 18.

1 Claim, 16 Drawing Sheets



(58) **Field of Classification Search**

CPC G06F 3/041; G06F 3/0412; G06F 3/0488;
G06F 3/04883; G06F 1/1613; G06F
1/1692; G06F 1/1626; G06F 2200/1633;
A63H 33/3016

See application file for complete search history.

(56) **References Cited**

U.S. PATENT DOCUMENTS

D875,091 S * 2/2020 Kwon D14/341
D894,144 S * 8/2020 Lee D14/138 AB
D901,419 S * 11/2020 Lee D14/138 AB
D901,422 S * 11/2020 Lee D14/138 AB
D901,495 S * 11/2020 Lee D14/341
D902,168 S * 11/2020 Yuan D14/138 AB
D921,601 S * 6/2021 Lee D14/138 AB
D928,108 S * 8/2021 Huang D14/138 AB
D930,609 S * 9/2021 Chen D14/138 AB
D947,548 S * 4/2022 Han D14/240
D948,515 S * 4/2022 Jeon D14/440
D951,220 S * 5/2022 Cho D14/138 AB
D951,896 S * 5/2022 Kim G06F 1/1652
D14/138 AB
D953,283 S * 5/2022 Chen D14/341
D969,105 S * 11/2022 Lee D14/344

OTHER PUBLICATIONS

Xiaomi Mi Mix Fold Looks Even More Convincing in These
Renders, www.concept-phones.com, Jul. 14, 2019. <https://www.concept-phones.com/xiaomi/xiaomi-mi-mix-fold-looks-even-more-convincing-in-these-renders-video/> (Year: 2019).*

* cited by examiner

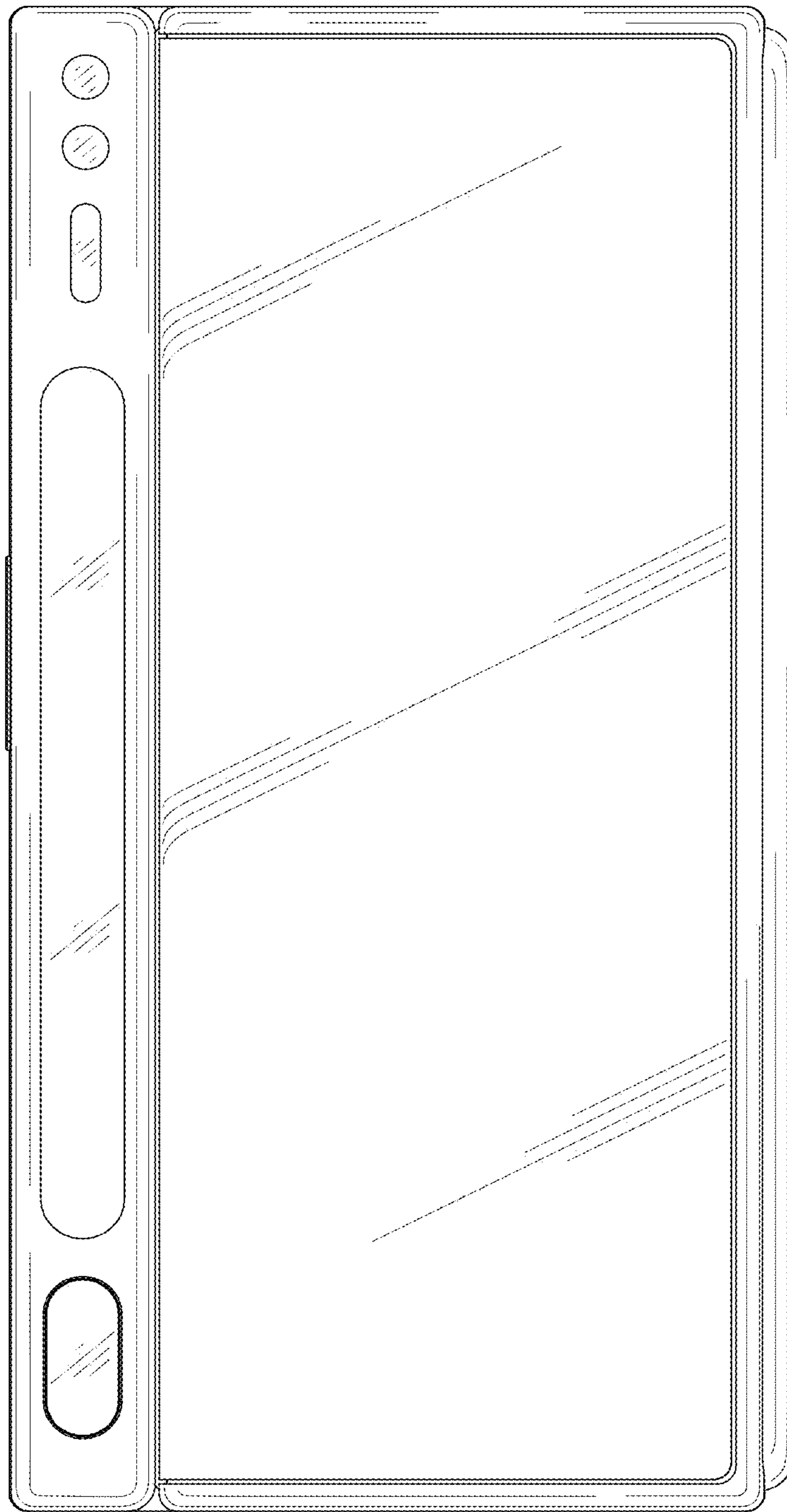


FIG. 1

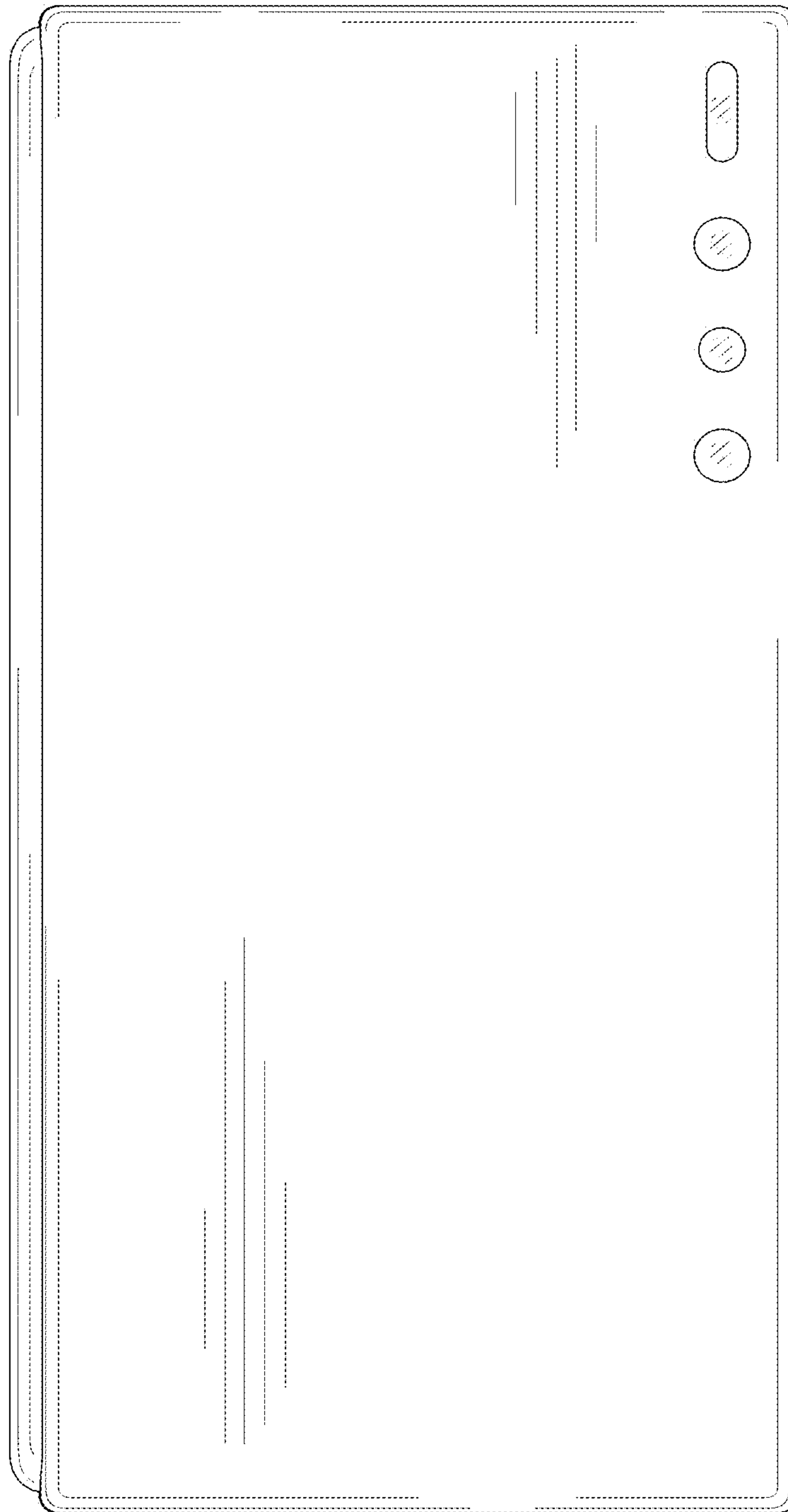


FIG. 2

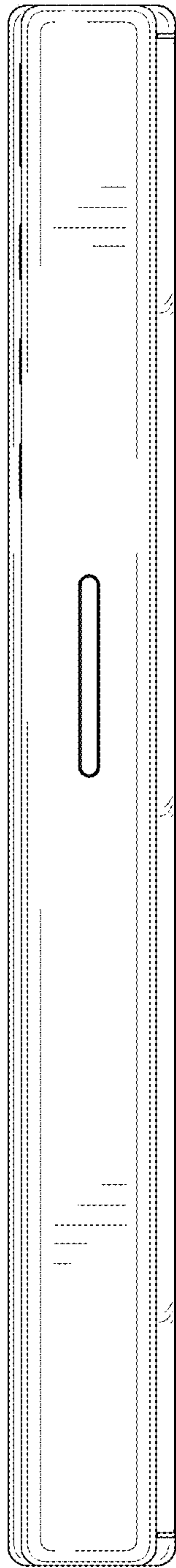


FIG. 3

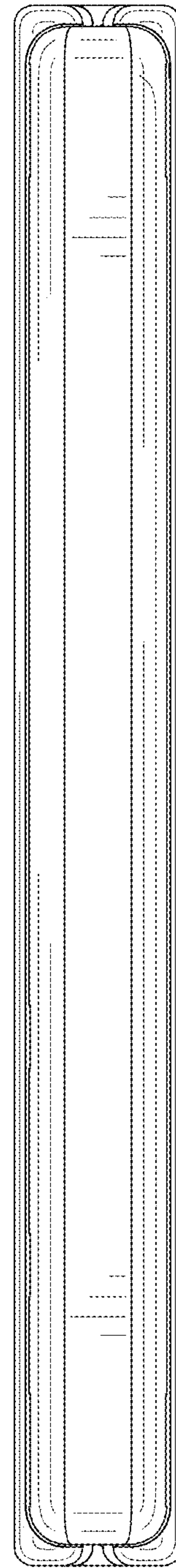


FIG. 4

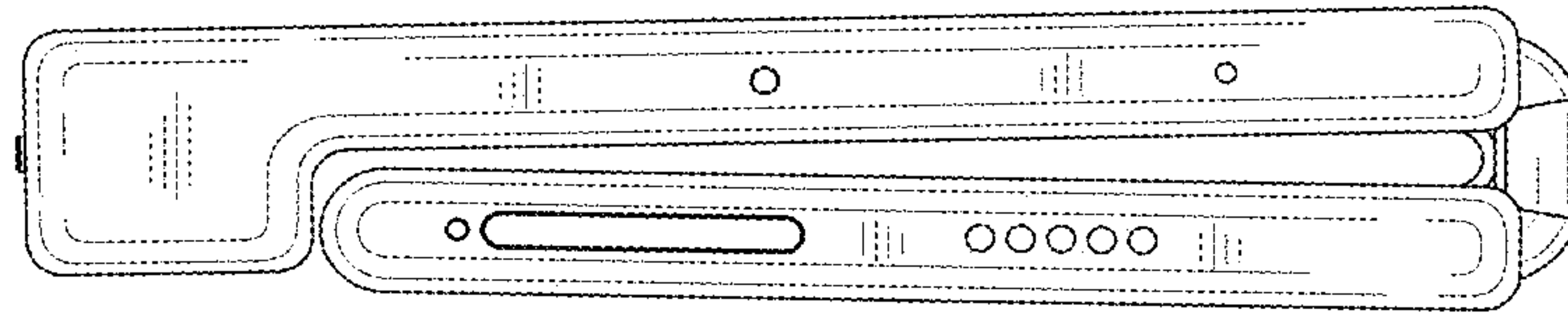


FIG. 5

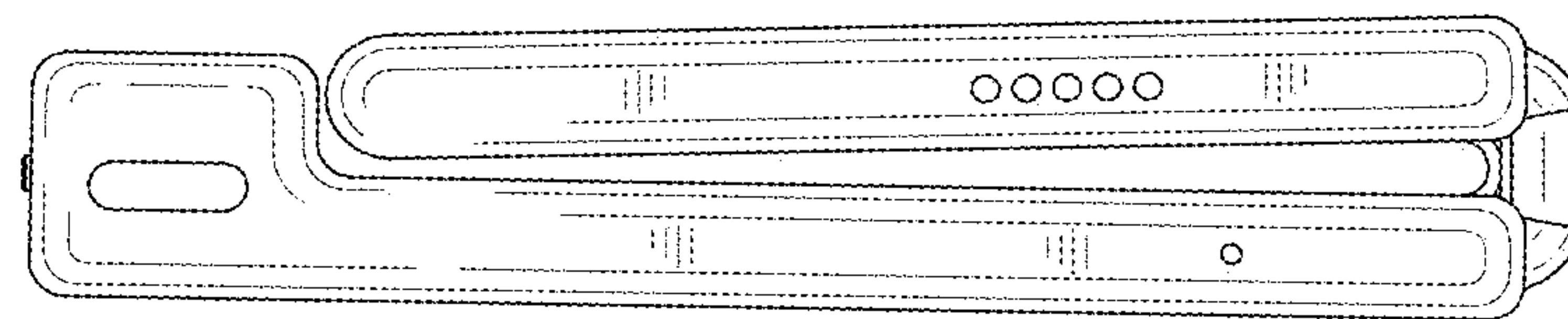


FIG. 6

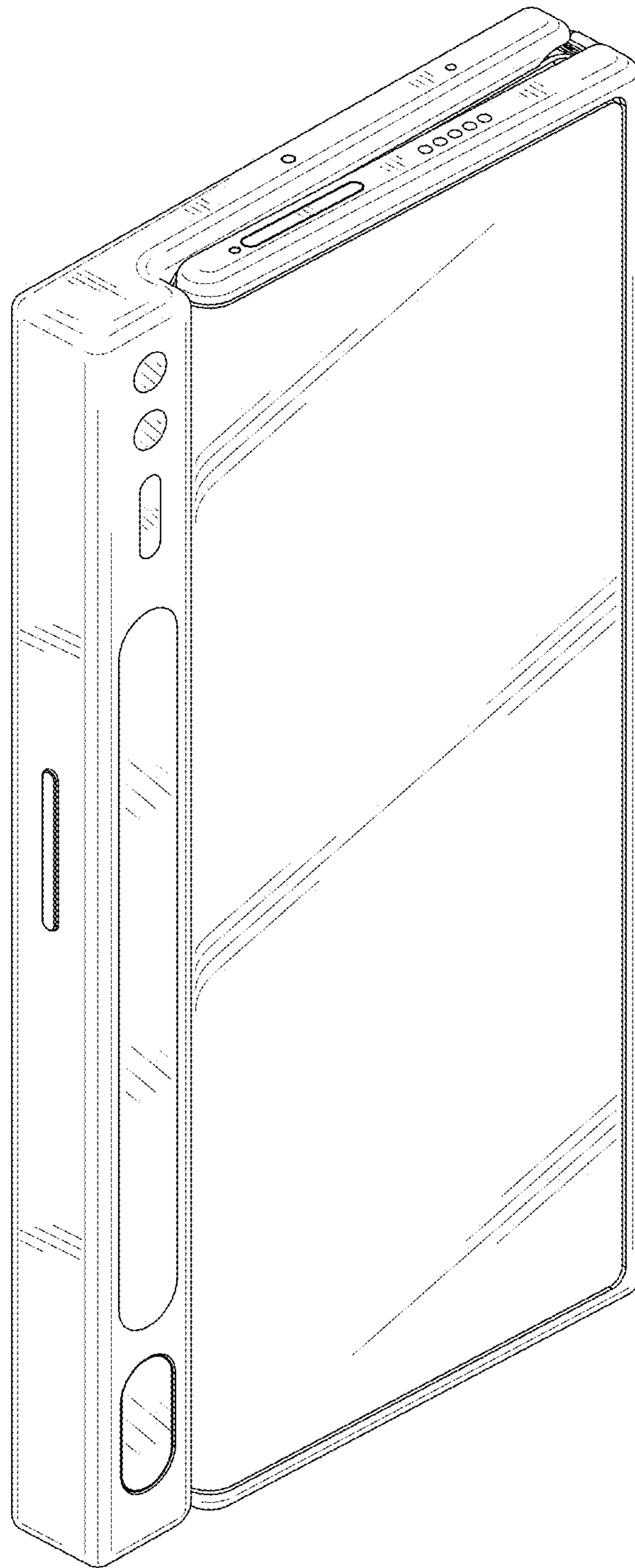


FIG. 7

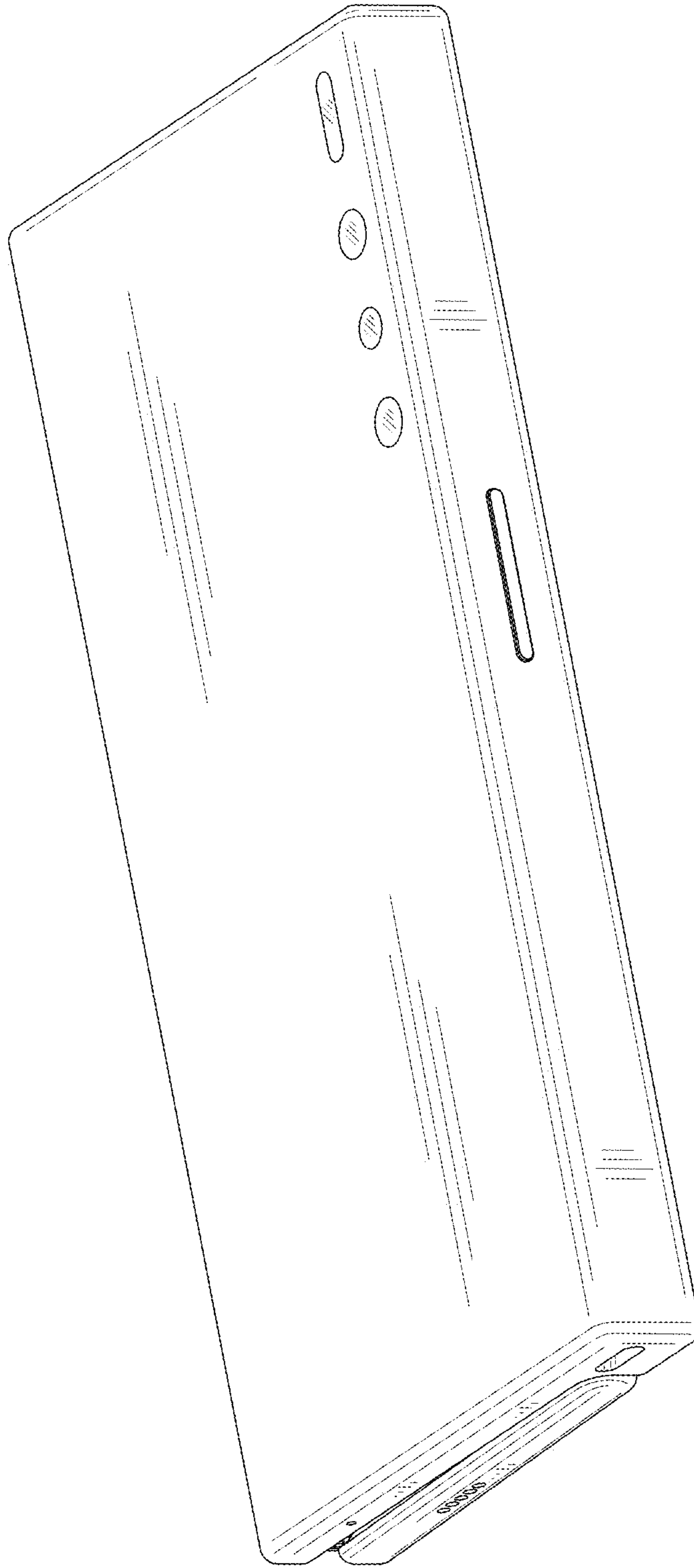


FIG. 8

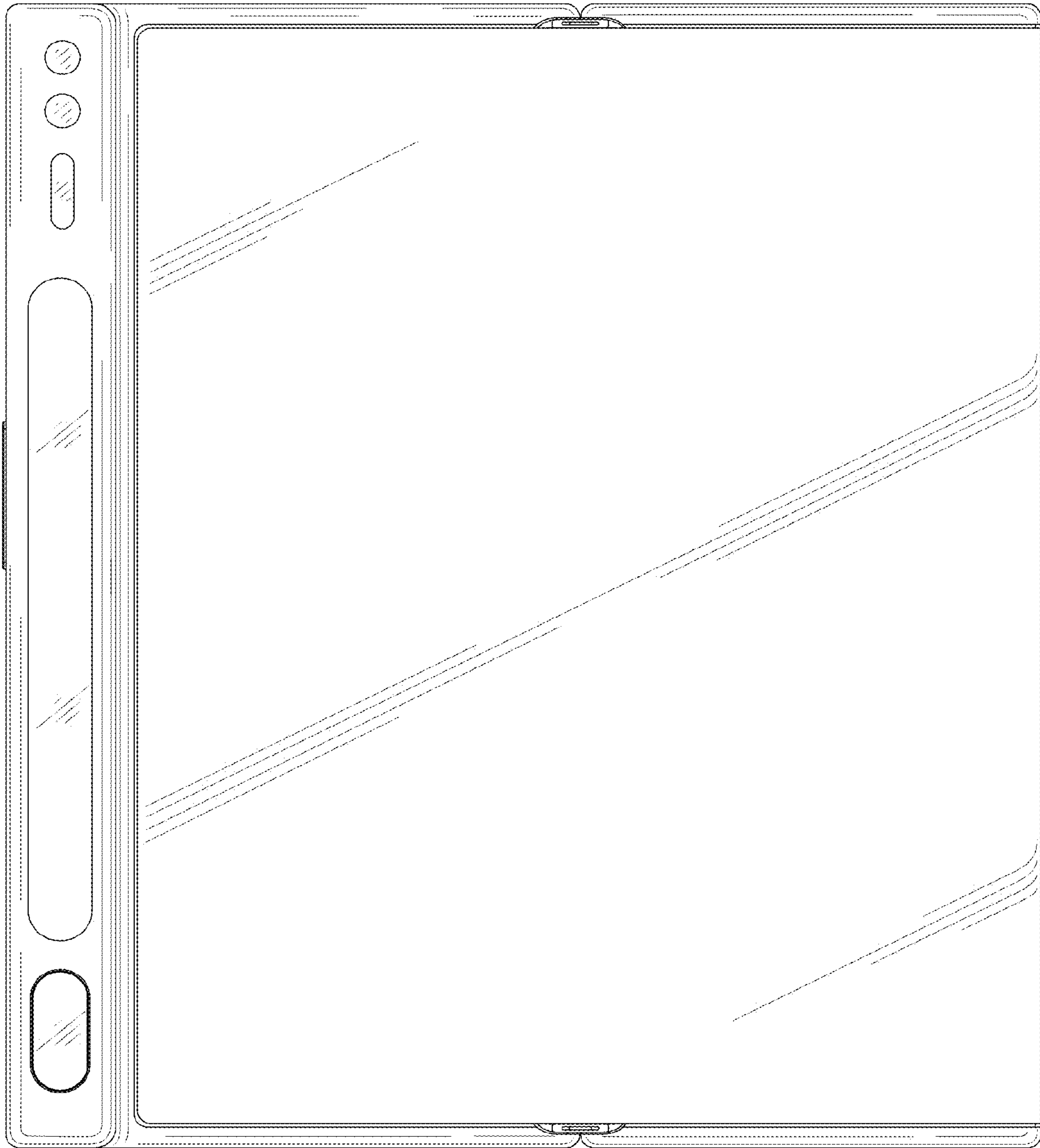


FIG. 9

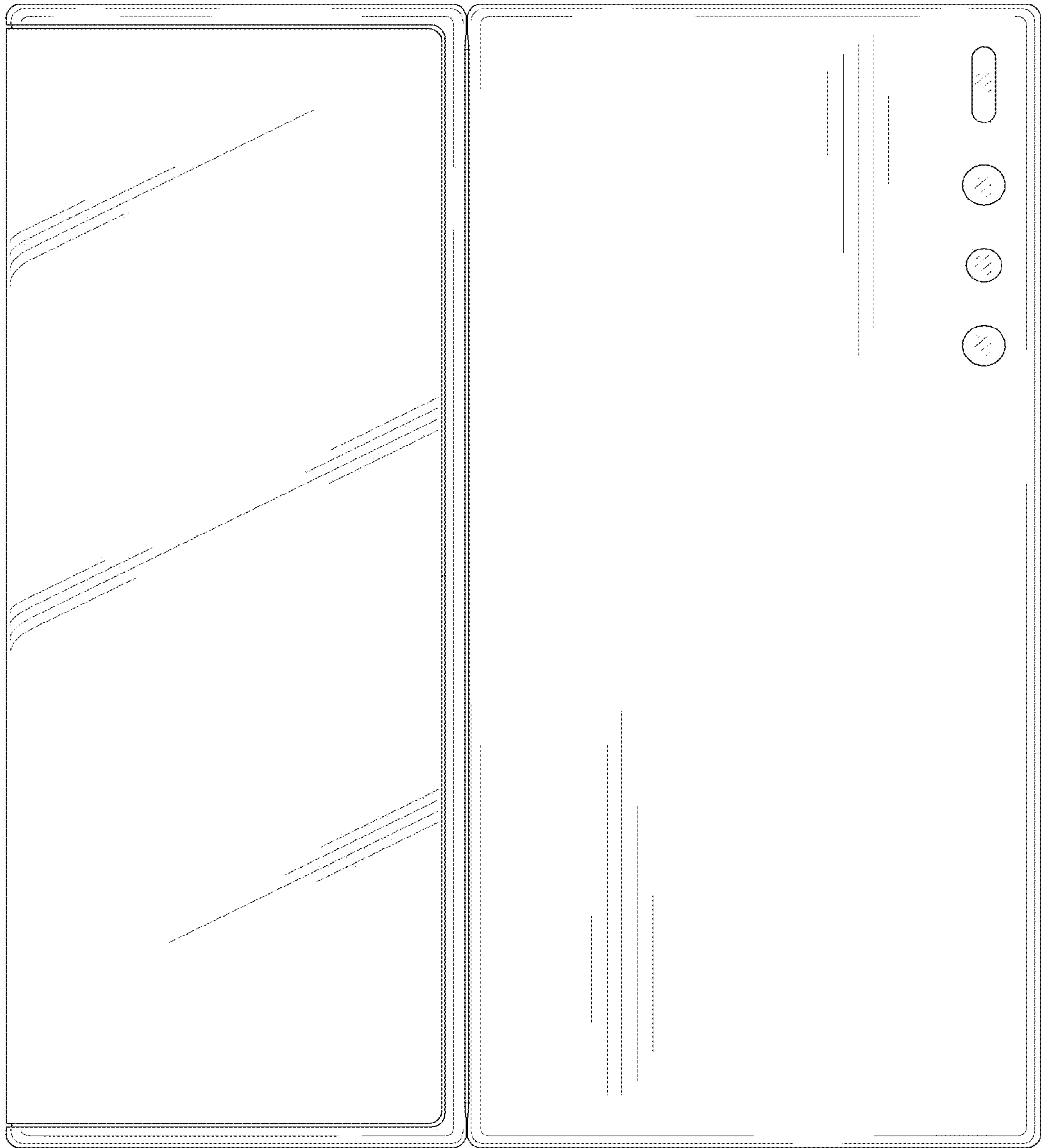


FIG. 10

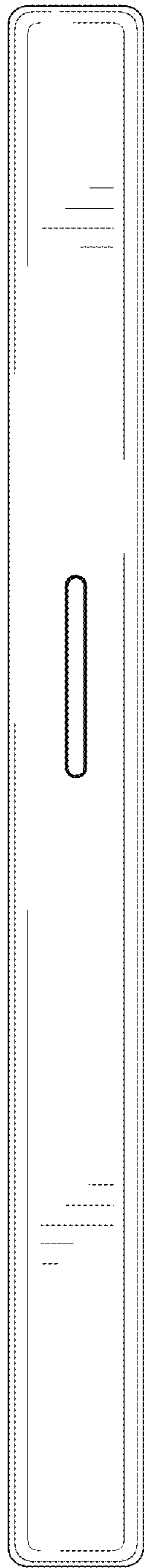


FIG. 11

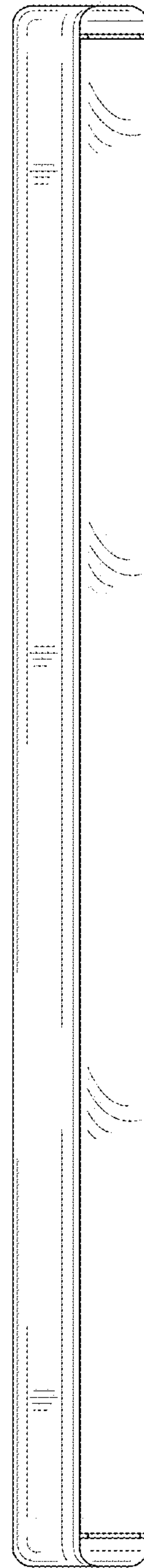


FIG. 12

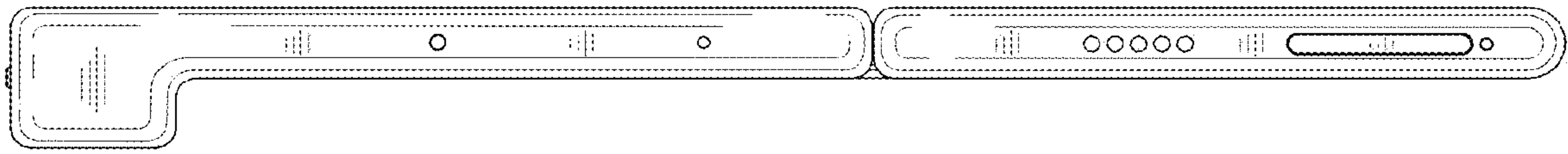


FIG. 13

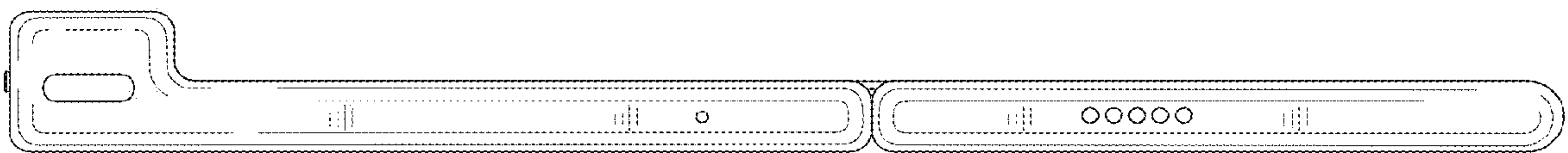


FIG. 14

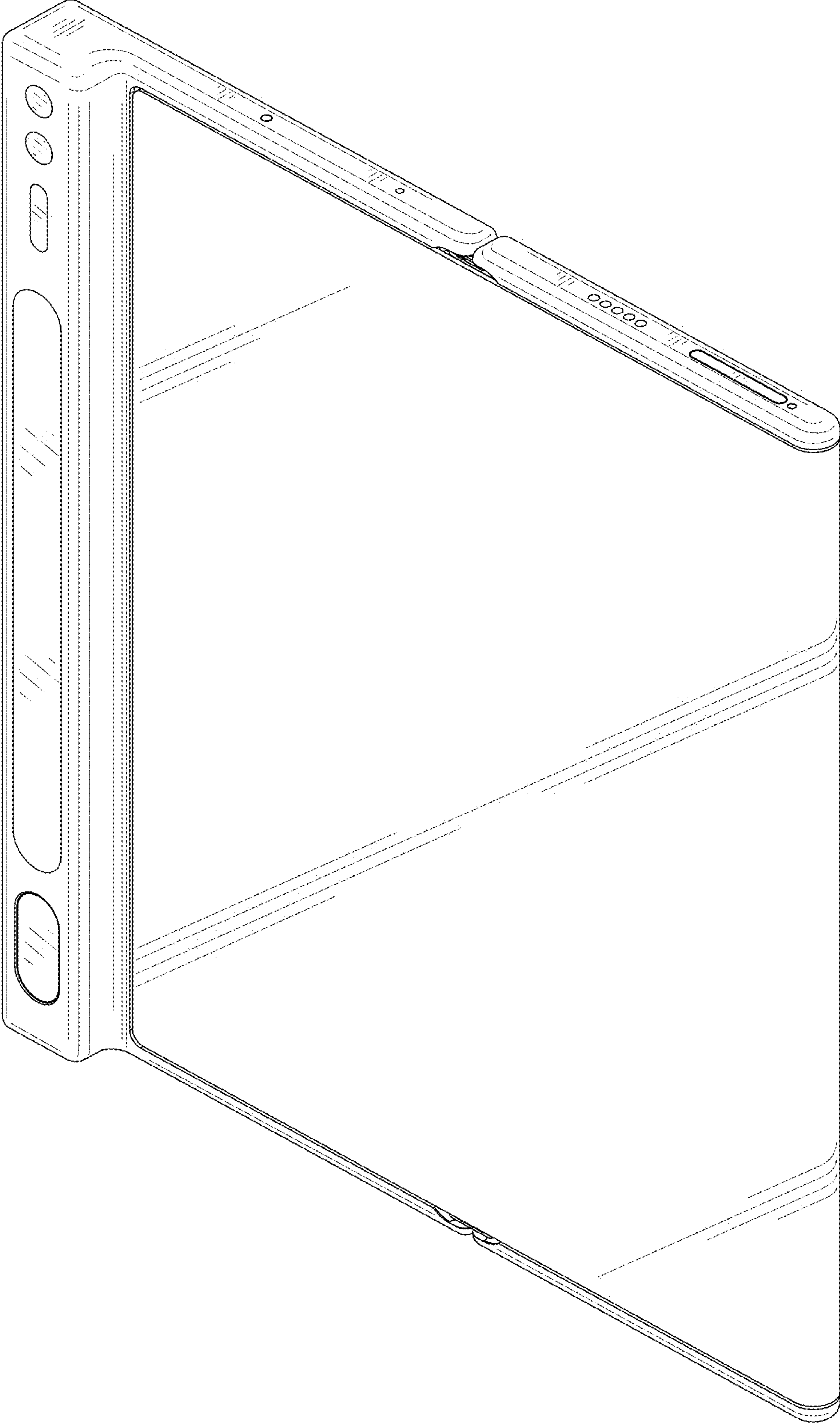


FIG. 15

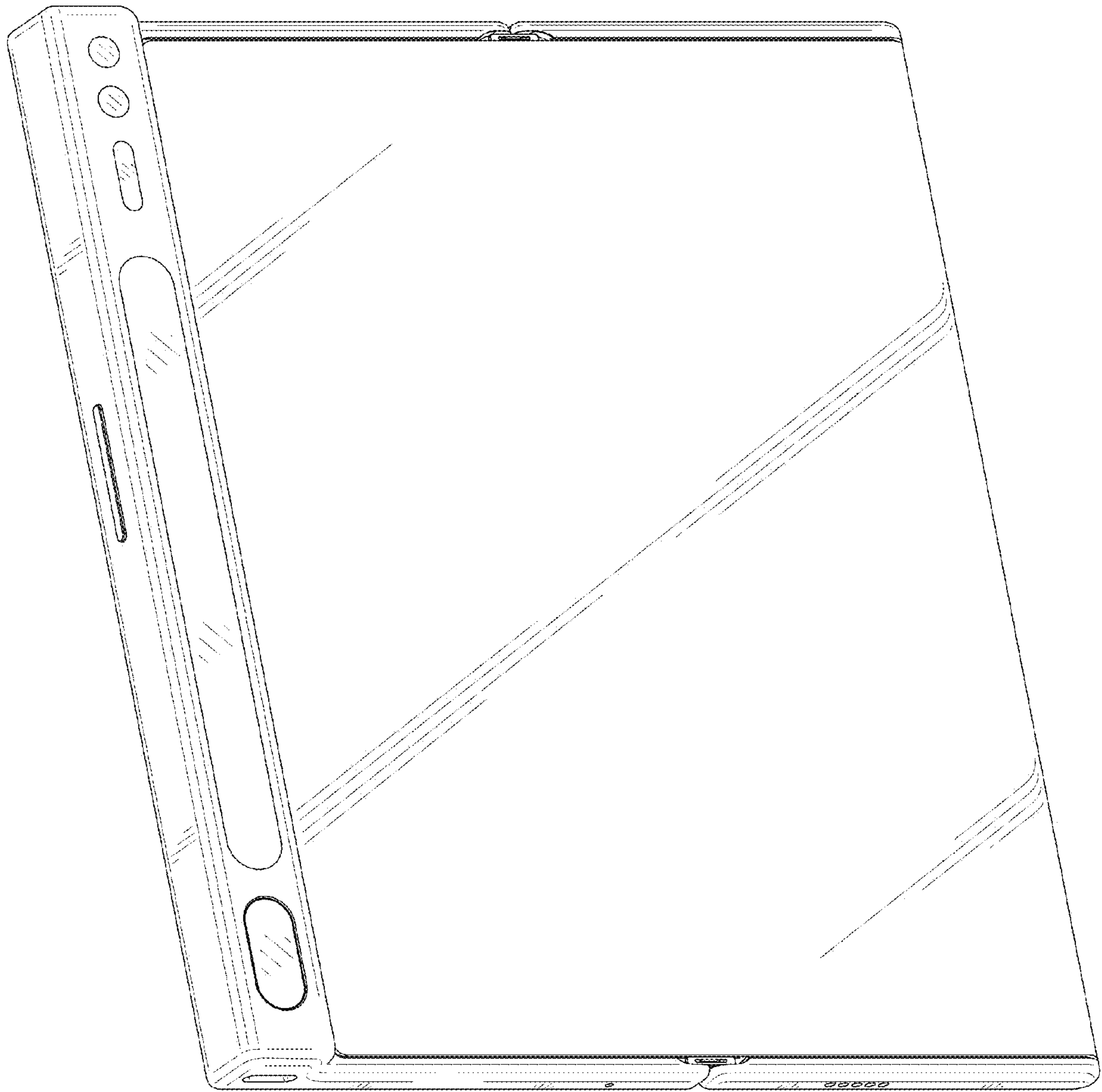


FIG. 16

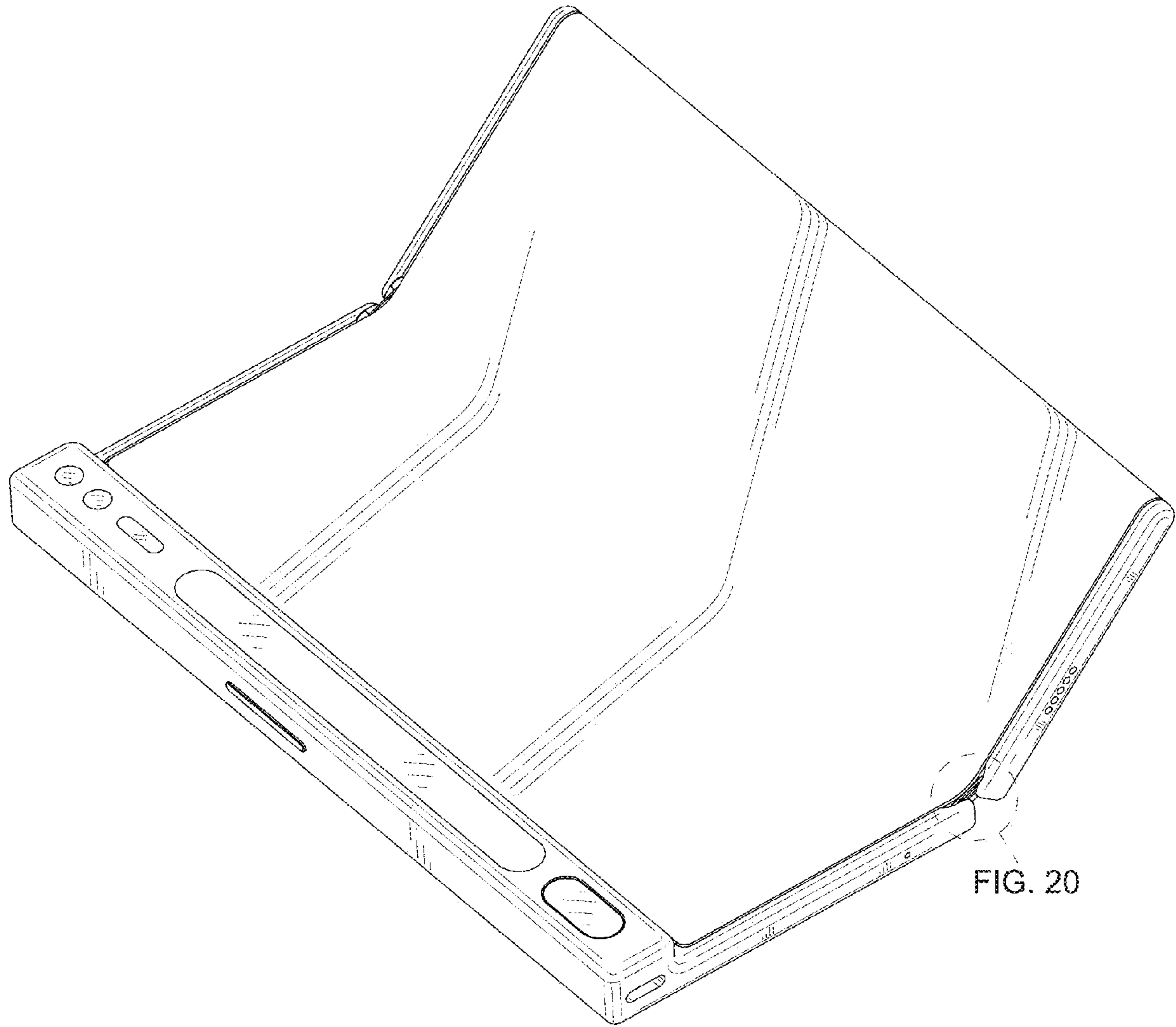


FIG. 17

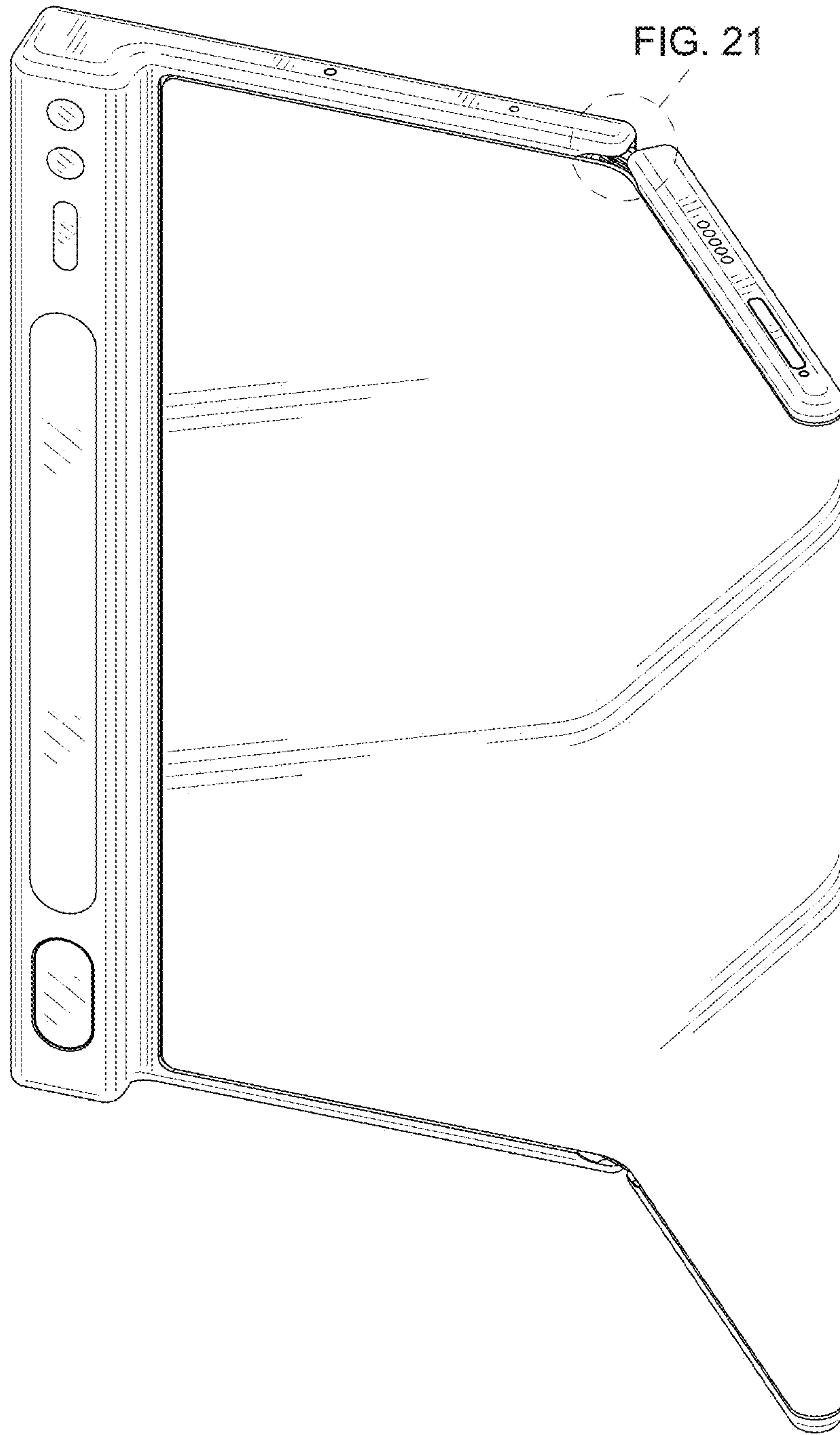


FIG. 18

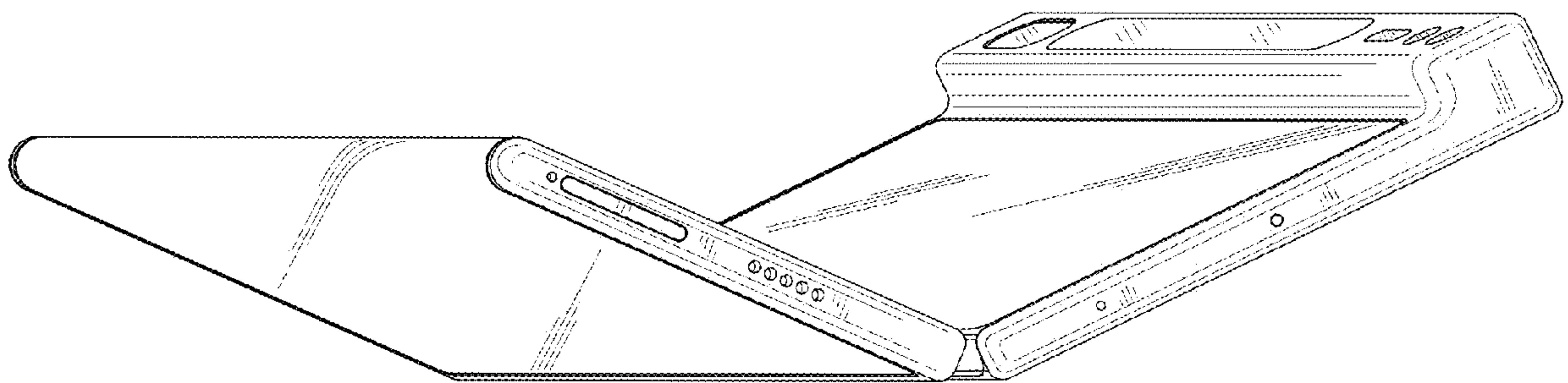


FIG. 19

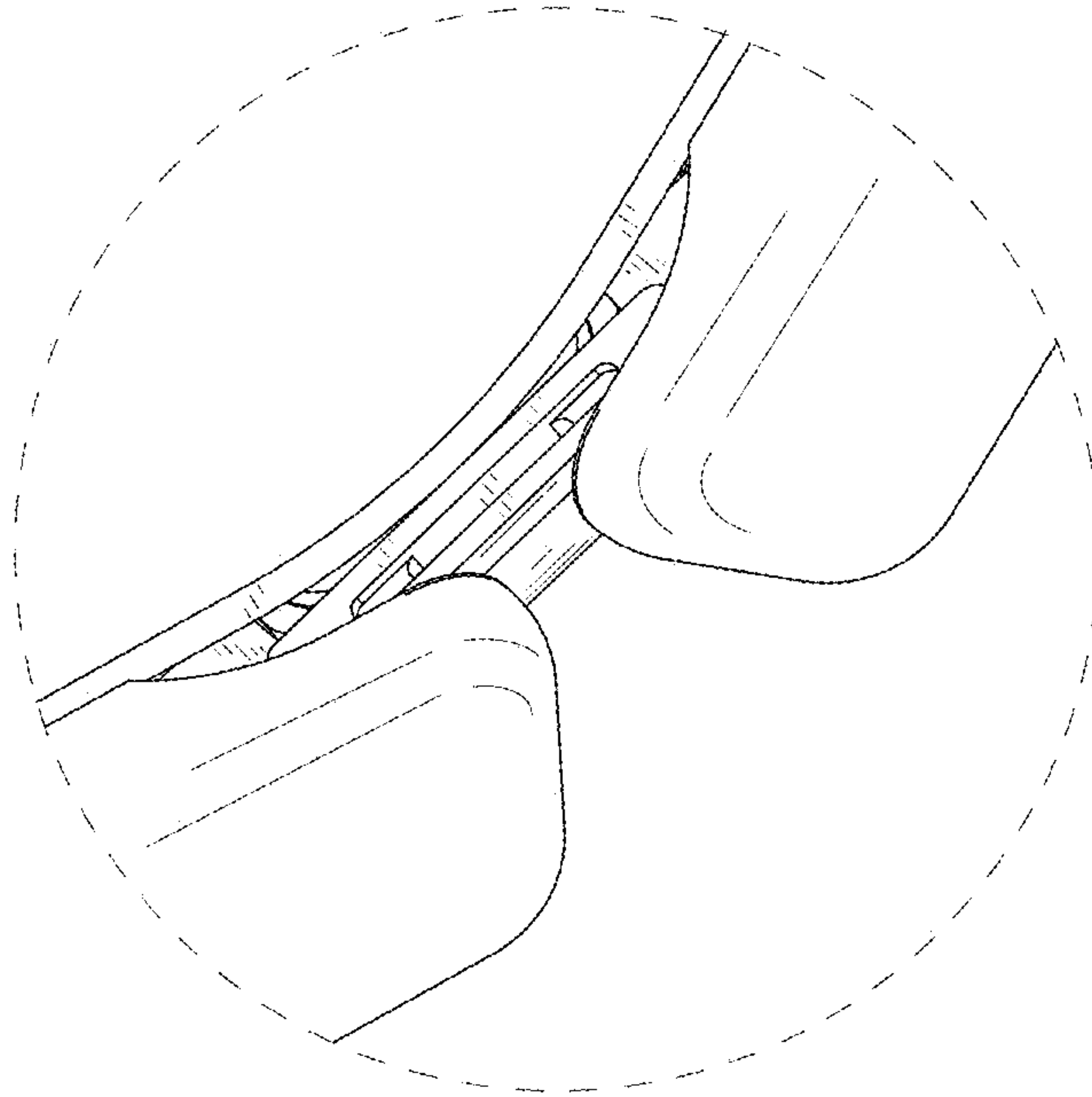


FIG. 20

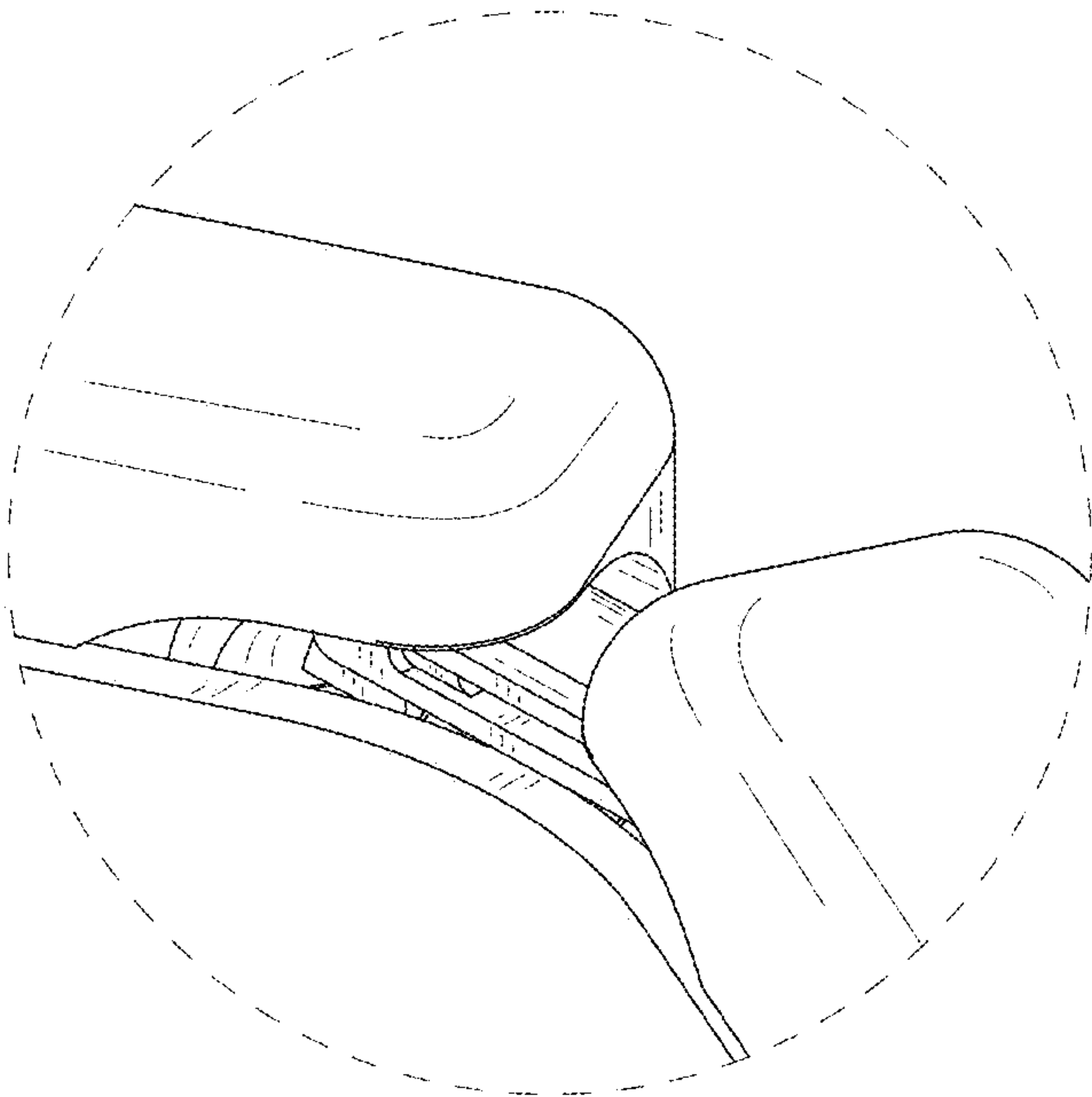


FIG. 21