



US00D979526S

(12) **United States Design Patent**
Hong

(10) **Patent No.:** **US D979,526 S**

(45) **Date of Patent:** **** Feb. 28, 2023**

- (54) **WALKIE TALKIE**
- (71) Applicant: **Yongqing Hong**, Fujian (CN)
- (72) Inventor: **Yongqing Hong**, Fujian (CN)
- (**) Term: **15 Years**

D752,536 S *	3/2016	Ooi	D14/137
D752,537 S *	3/2016	Oikawa	D14/137
D754,088 S *	4/2016	Ooi	D14/137
D796,466 S *	9/2017	Sakata	D14/137
D878,316 S *	3/2020	Duman	D14/137
D927,442 S *	8/2021	Hong	D14/137
D954,012 S *	6/2022	Hong	D14/137
D956,711 S *	7/2022	Hong	D14/137
D958,766 S *	7/2022	Woo	D14/137

- (21) Appl. No.: **29/744,179**
- (22) Filed: **Jul. 28, 2020**
- (51) **LOC (14) Cl.** **14-03**
- (52) **U.S. Cl.**
USPC **D14/137**
- (58) **Field of Classification Search**
USPC D14/137, 138 R, 138 AA, 138 AD;
D10/104.1
CPC .. H04B 1/3833; H04B 1/3827; H04B 1/3855;
H04B 2001/3861; H04M 1/0202; H04M
1/03; H04M 1/035
See application file for complete search history.

* cited by examiner

Primary Examiner — Bridget L Eland

(57) **CLAIM**

The ornamental design for a walkie talkie, as shown and described.

DESCRIPTION

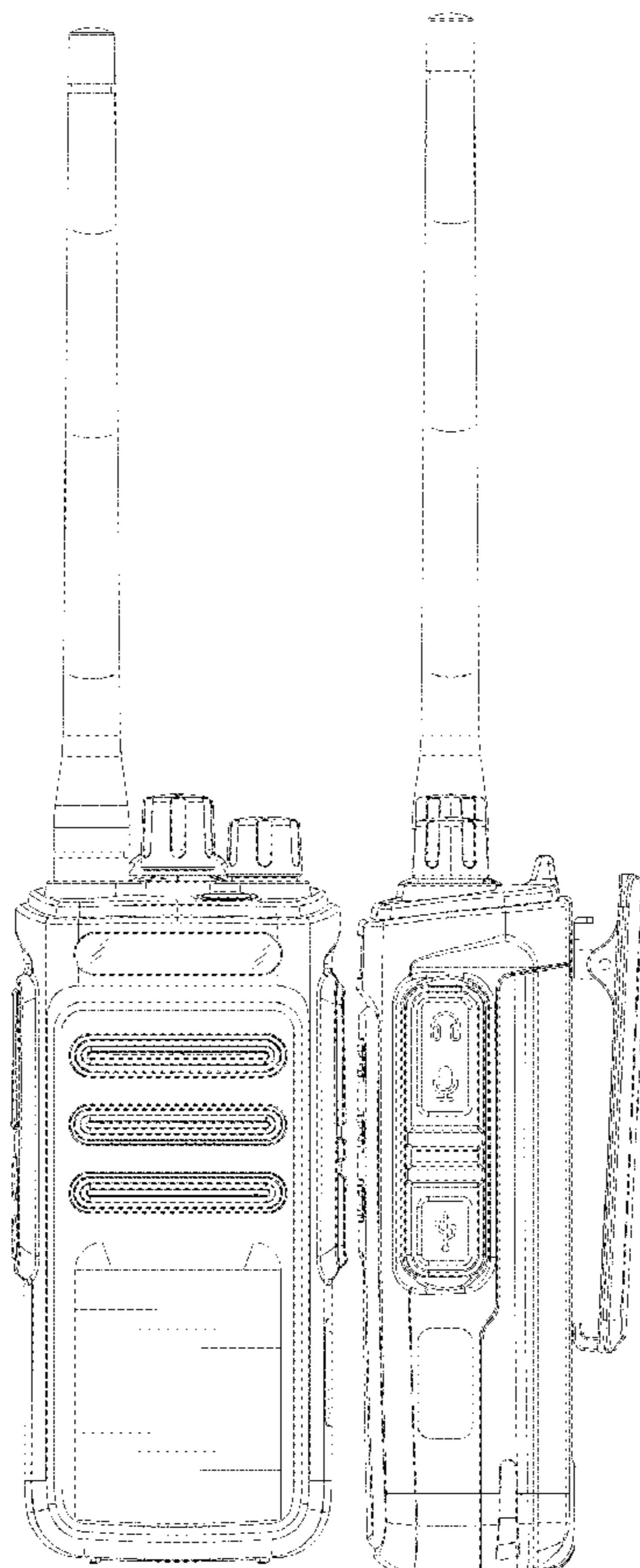
FIG. 1 is a front elevational view of a walkie talkie showing my new design;
 FIG. 2 is a rear elevational view thereof;
 FIG. 3 is a left side view thereof;
 FIG. 4 is a right side view thereof;
 FIG. 5 is a top plan view thereof;
 FIG. 6 is a bottom plan view thereof;
 FIG. 7 is a perspective view thereof; and,
 FIG. 8 is another perspective view thereof.
 The broken lines in the drawings show portions of the walkie talkie that form no part of the claimed design.

(56) **References Cited**

U.S. PATENT DOCUMENTS

D616,845 S *	6/2010	Xia	D14/137
D653,637 S *	2/2012	Ismail	D14/137
D717,259 S *	11/2014	Ooi	D14/137
D721,050 S *	1/2015	Kaner	D14/137
D749,533 S *	2/2016	Sakata	D14/137

1 Claim, 8 Drawing Sheets



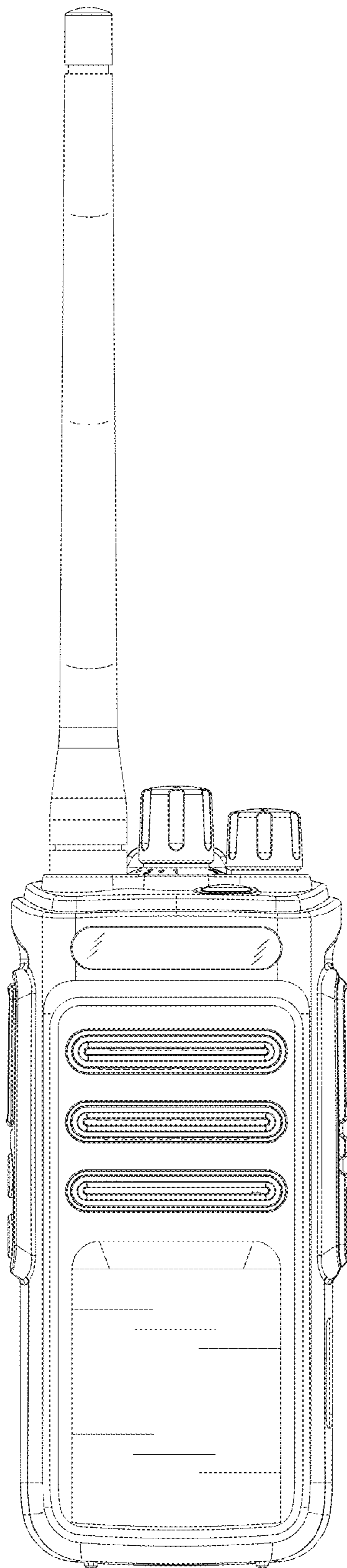


FIG.1

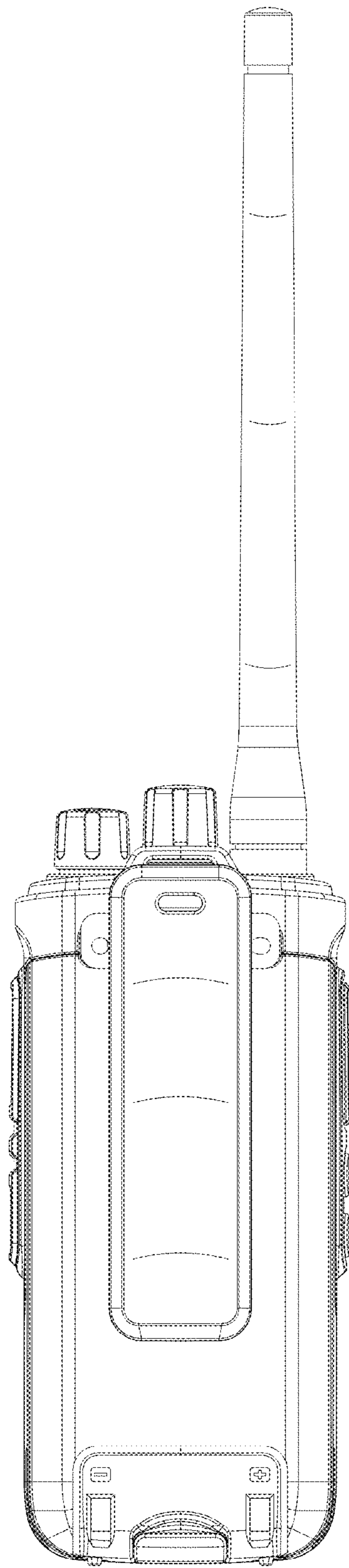


FIG. 2

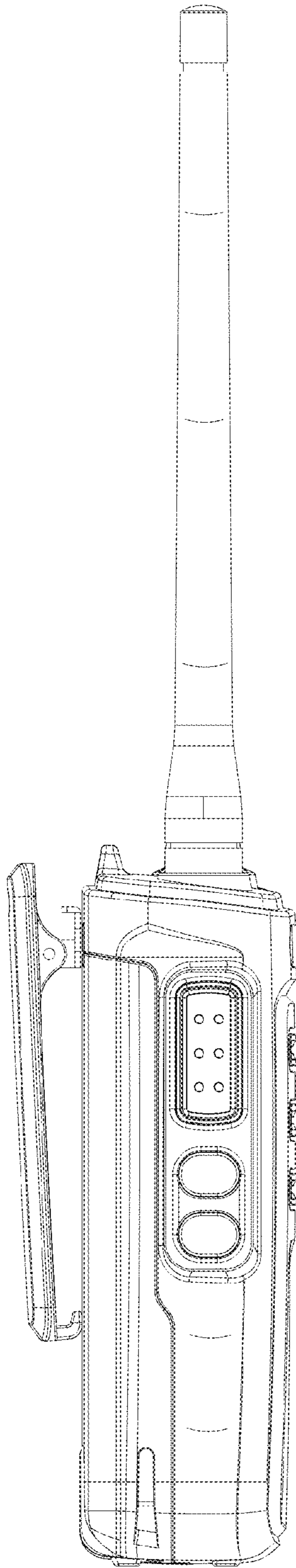


FIG. 3

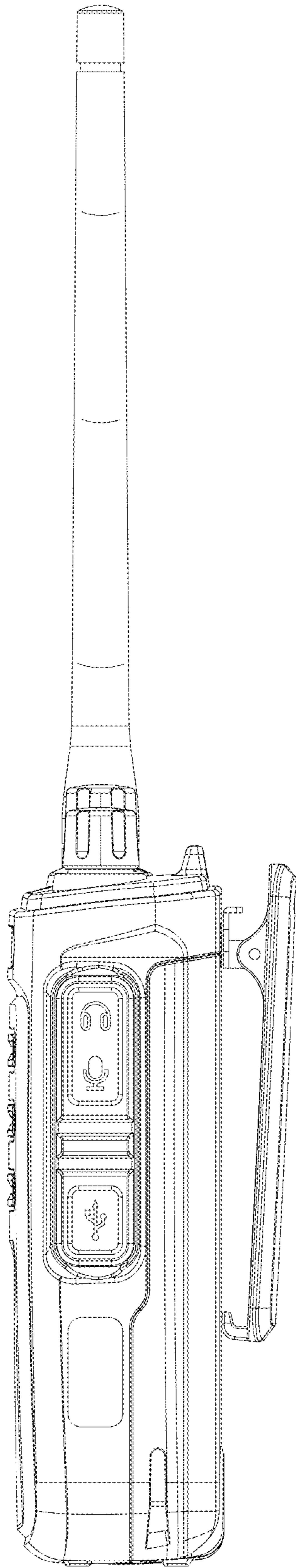


FIG. 4

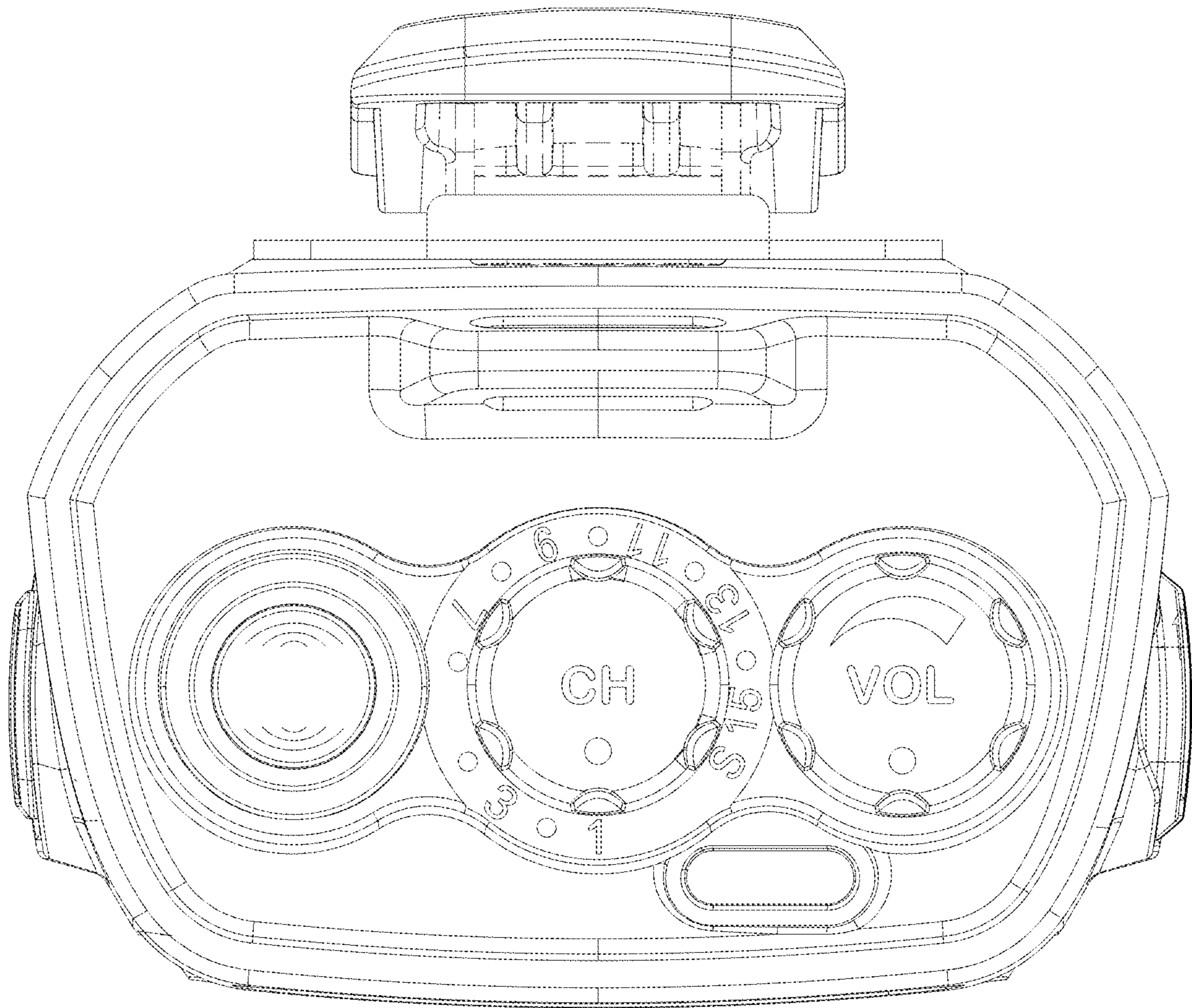


FIG. 5

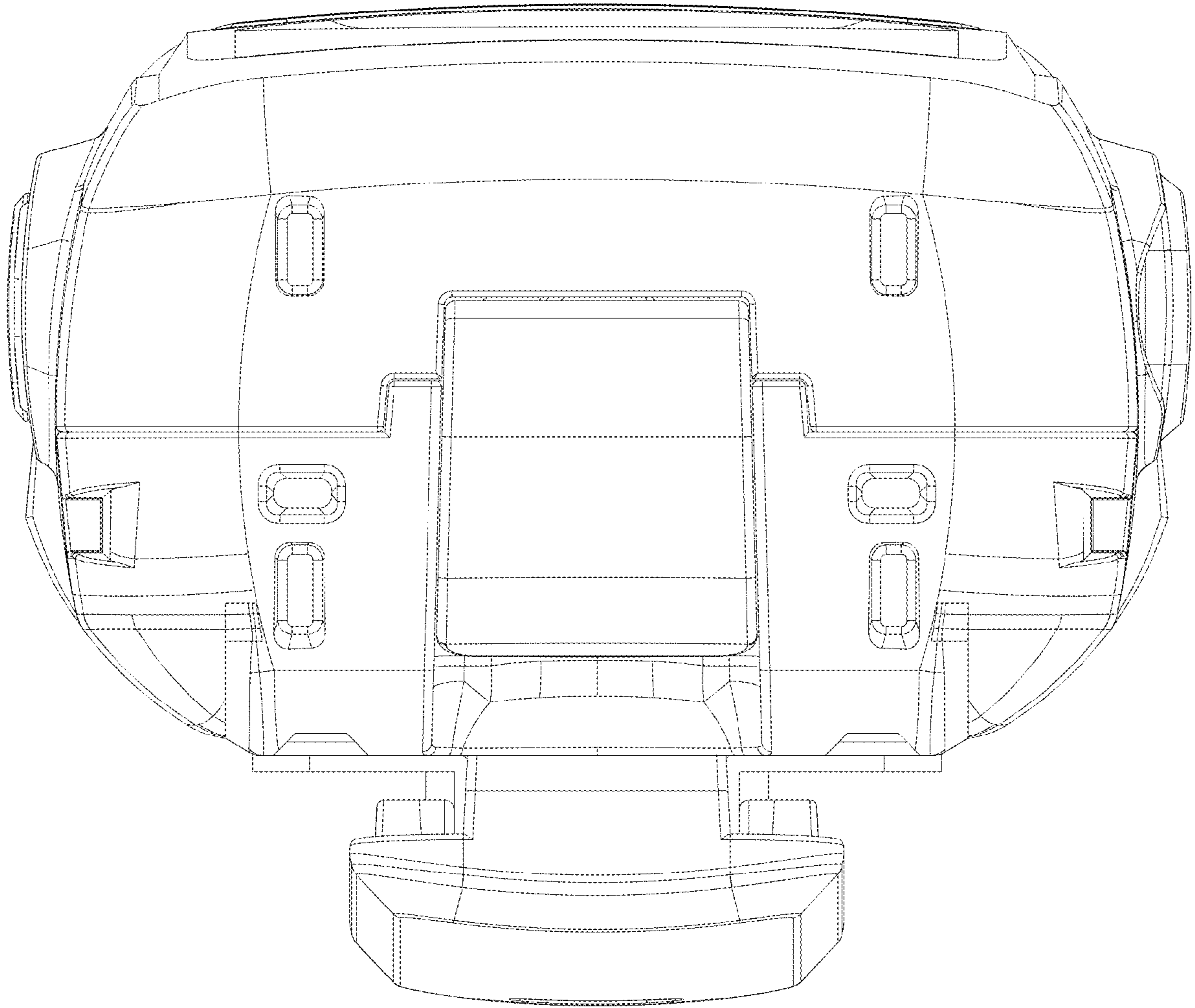


FIG. 6

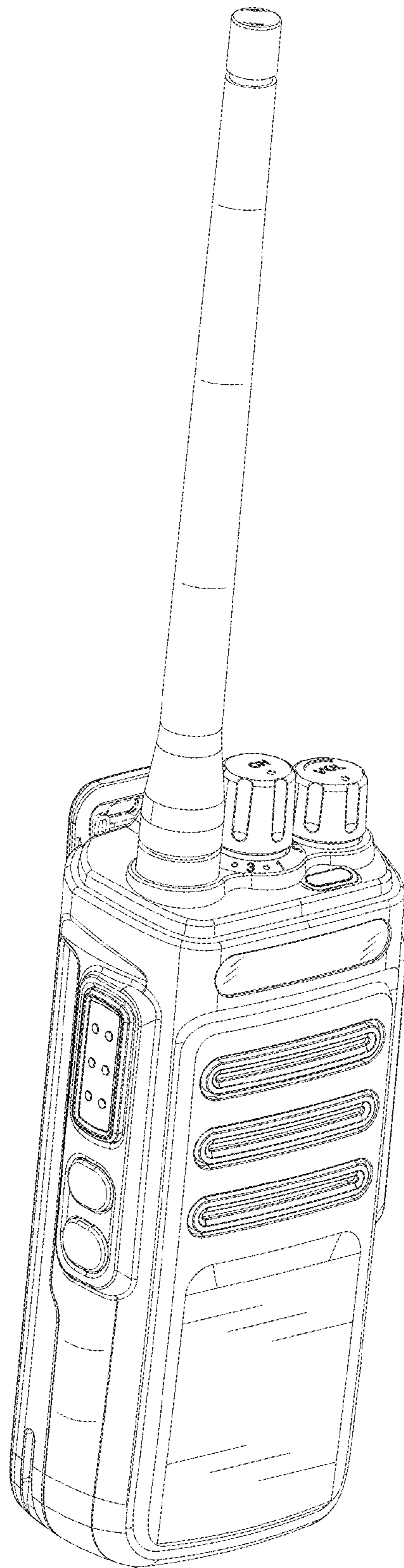


FIG. 7

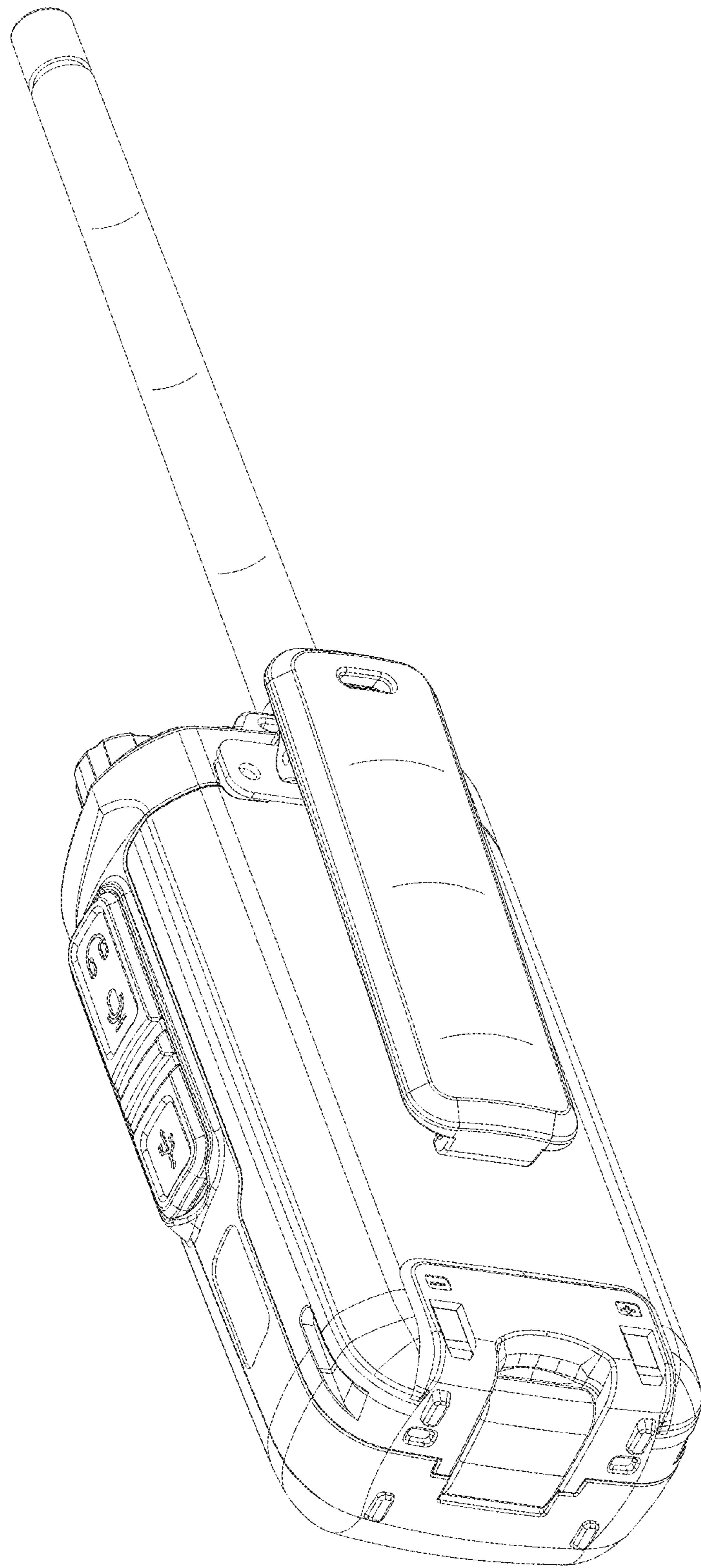


FIG. 8