



US00D979525S

(12) **United States Design Patent** (10) **Patent No.:** **US D979,525 S**
Zhang et al. (45) **Date of Patent:** **** Feb. 28, 2023**

(54) **TELEVISION**

(71) Applicant: **BEIJING XIAOMI MOBILE SOFTWARE CO., LTD.**, Beijing (CN)

(72) Inventors: **Yunlong Zhang**, Beijing (CN); **Rui Yin**, Beijing (CN)

(73) Assignee: **BEIJING XIAOMI MOBILE SOFTWARE CO., LTD.**, Beijing (CN)

(**) Term: **15 Years**

(21) Appl. No.: **35/512,608**

(22) Filed: **Jun. 4, 2021**

(80) **Hague Agreement Data**

Int. Filing Date: **Jun. 4, 2021**

Int. Reg. No.: **DM/216210**

Int. Reg. Date: **Jun. 4, 2021**

Int. Reg. Pub. Date: **Sep. 24, 2021**

(30) **Foreign Application Priority Data**

Dec. 4, 2020 (CN) 202030747278.1

(51) **LOC (14) Cl.** **14-03**

(52) **U.S. Cl.**
USPC **D14/126**

(58) **Field of Classification Search**

USPC D14/126, 129, 130, 132, 133, 159, 239, D14/307, 336, 371, 372, 374, 375, 376, D14/383, 448, 451, 496; D10/46, 65, D10/104.1, 109.1, 75; D24/138, 107, D24/184, 186, 169, 216; D20/10, 18, 19, D20/21, 39; D16/208

CPC G06F 1/1601; G06F 1/1605; G06F 1/1607; G06F 1/1637; G06F 1/1642; G06F 1/182; G06F 1/20; G06F 2200/1612; G06F 3/0421; G06F 3/0428; G06F 3/0488

See application file for complete search history.

(56) **References Cited**

U.S. PATENT DOCUMENTS

D598,404 S *	8/2009	Arie	D14/126
D634,723 S *	3/2011	Park	D14/126
D661,269 S *	6/2012	Lee	D14/126
D671,084 S *	11/2012	Kim	D14/126
D671,513 S *	11/2012	Jang	D14/126
D678,853 S *	3/2013	Kim	D14/126
D680,981 S *	4/2013	Kim	D14/126
D680,982 S *	4/2013	Lee	D14/126
D682,230 S *	5/2013	Lee	D14/126
D690,675 S *	10/2013	Kim	D14/126
D693,784 S *	11/2013	Lee	D14/126
D701,188 S *	3/2014	Lee	D14/126
D722,300 S *	2/2015	Won	D14/126
D725,617 S *	3/2015	Choi	D14/126
D728,502 S *	5/2015	Kim	D14/126
D736,730 S *	8/2015	Hong	D14/126

(Continued)

FOREIGN PATENT DOCUMENTS

CN	307234846	*	4/2022
KR	3009090260000	S	6/2020

Primary Examiner — Marie D. Fast Horse

(74) *Attorney, Agent, or Firm* — Syncoda LLC; Feng Ma

(57) **CLAIM**

The ornamental design for a television, as shown and described.

DESCRIPTION

1. Television

1.1 : Front

1.2 : Back

1.3 : Left

1.4 : Right

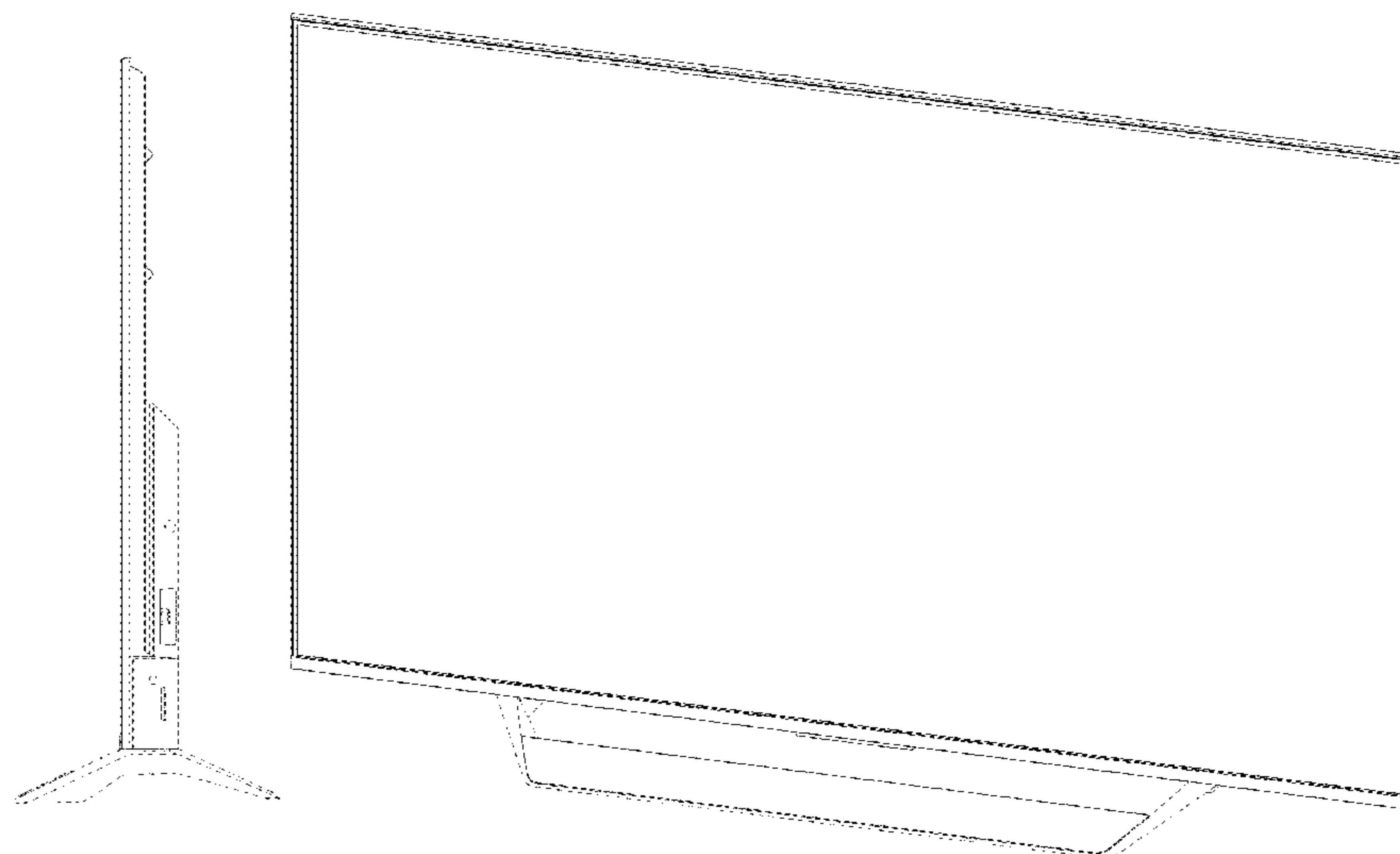
1.5 : Top

1.6 : Bottom

1.7 : Perspective

The broken lines in the drawings depict portions of the television that form no part of the claimed design.

1 Claim, 7 Drawing Sheets



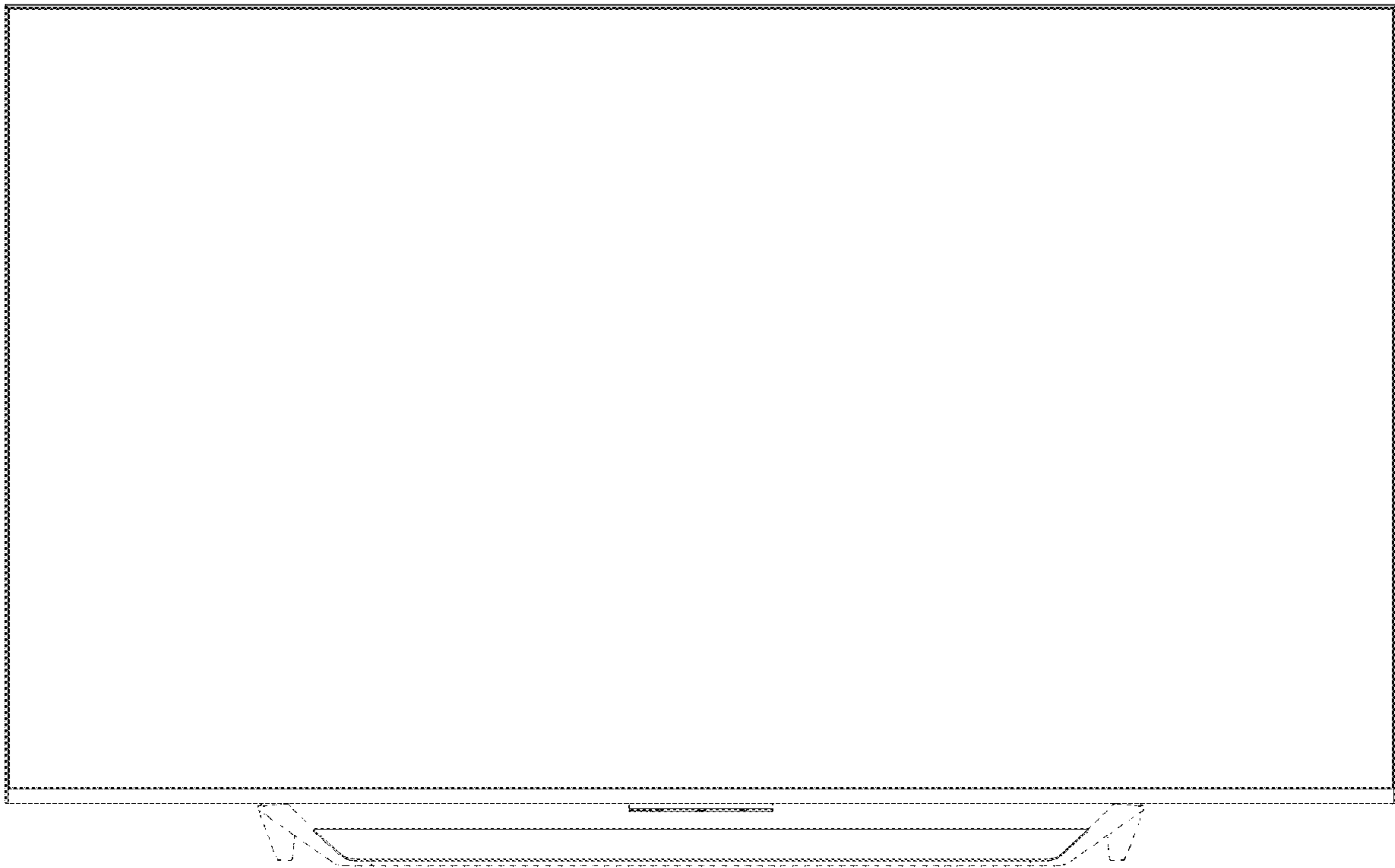
(56)

References Cited

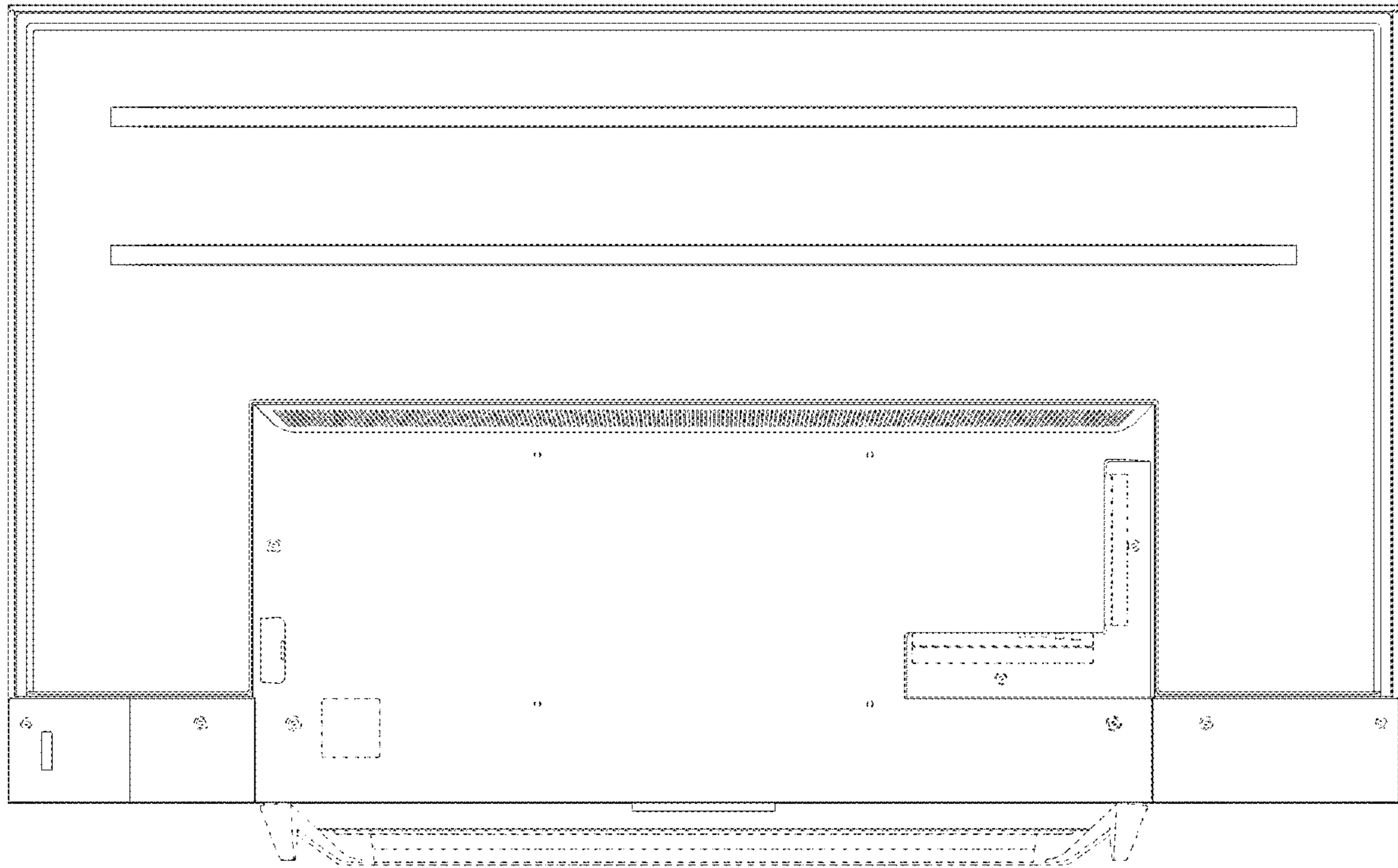
U.S. PATENT DOCUMENTS

D744,970	S	*	12/2015	Kim	D14/129
D754,621	S	*	4/2016	Dai	D14/126
D755,144	S	*	5/2016	Kim	D14/126
D763,211	S	*	8/2016	Kim	D14/126
D786,813	S	*	5/2017	McManigal	D14/126
D835,058	S	*	12/2018	Kim	D14/126
D836,582	S	*	12/2018	Cha	D14/126
D836,585	S	*	12/2018	Seo	D14/126
D837,758	S	*	1/2019	Kim	D14/126
D845,259	S	*	4/2019	Won	D14/126
D852,154	S	*	6/2019	Won	D14/126
D868,713	S	*	12/2019	Lee	D14/126
D869,416	S	*	12/2019	Choi	D14/126
D884,663	S	*	5/2020	Jang	D14/126
D900,045	S	*	10/2020	Jung	D14/126
D972,519	S	*	12/2022	Kim	D14/126

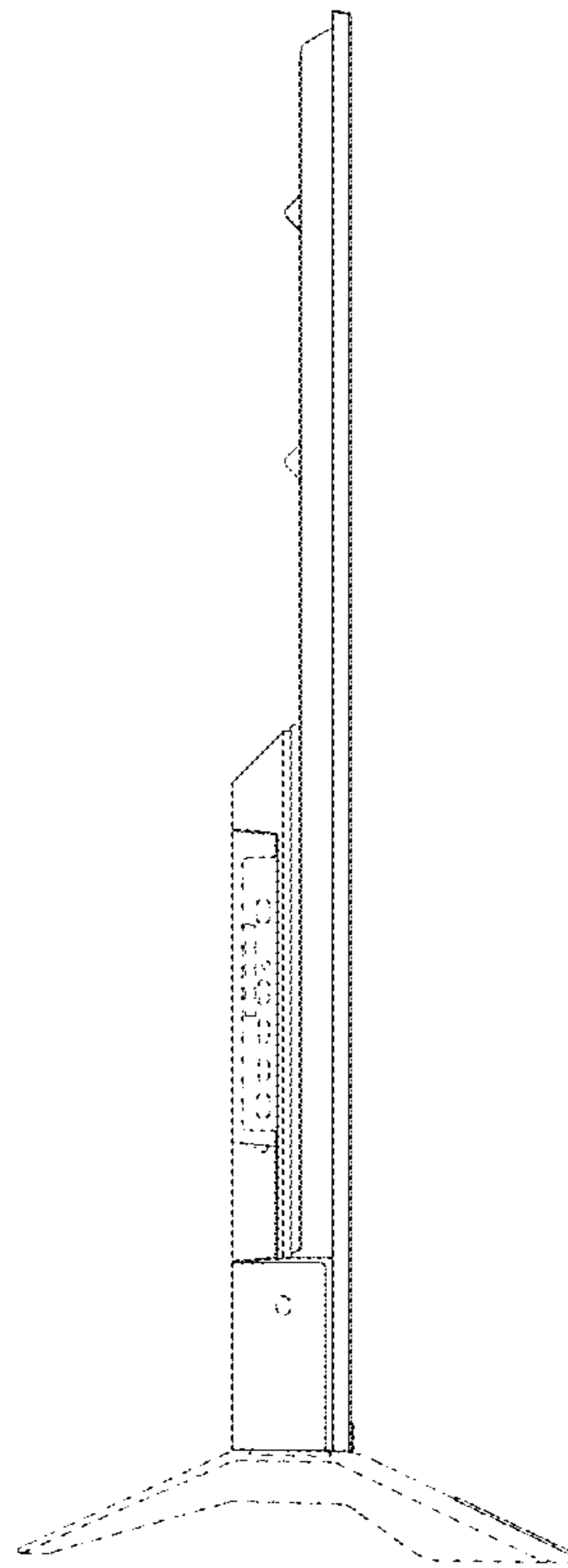
* cited by examiner



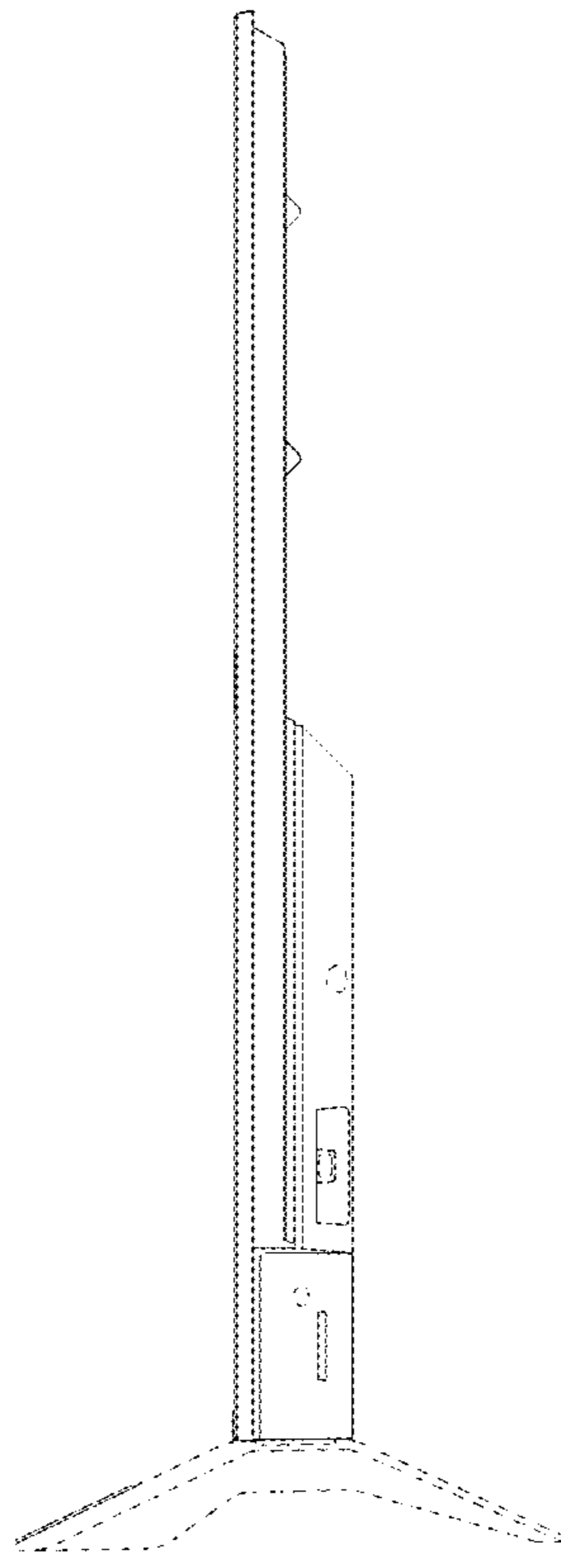
1.1



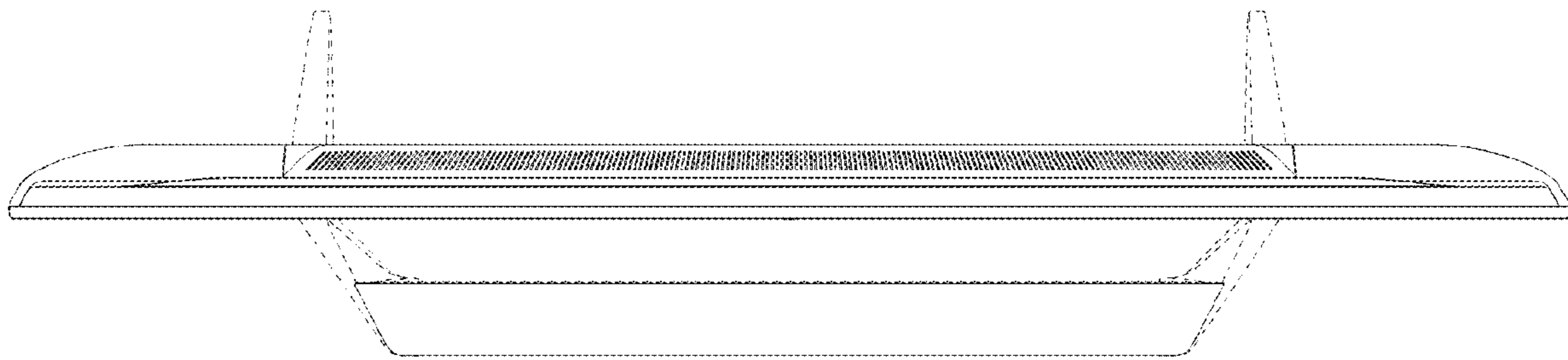
1.2



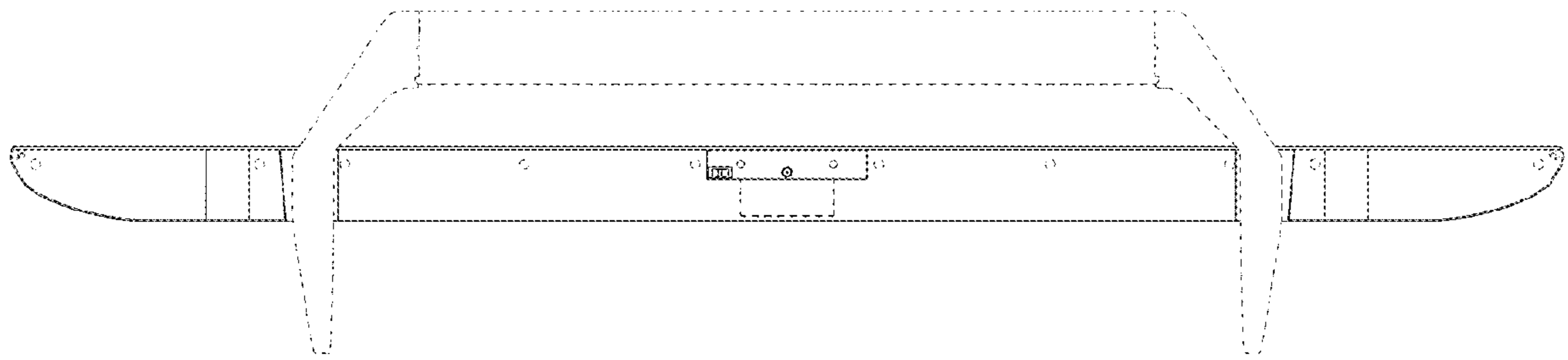
1.3



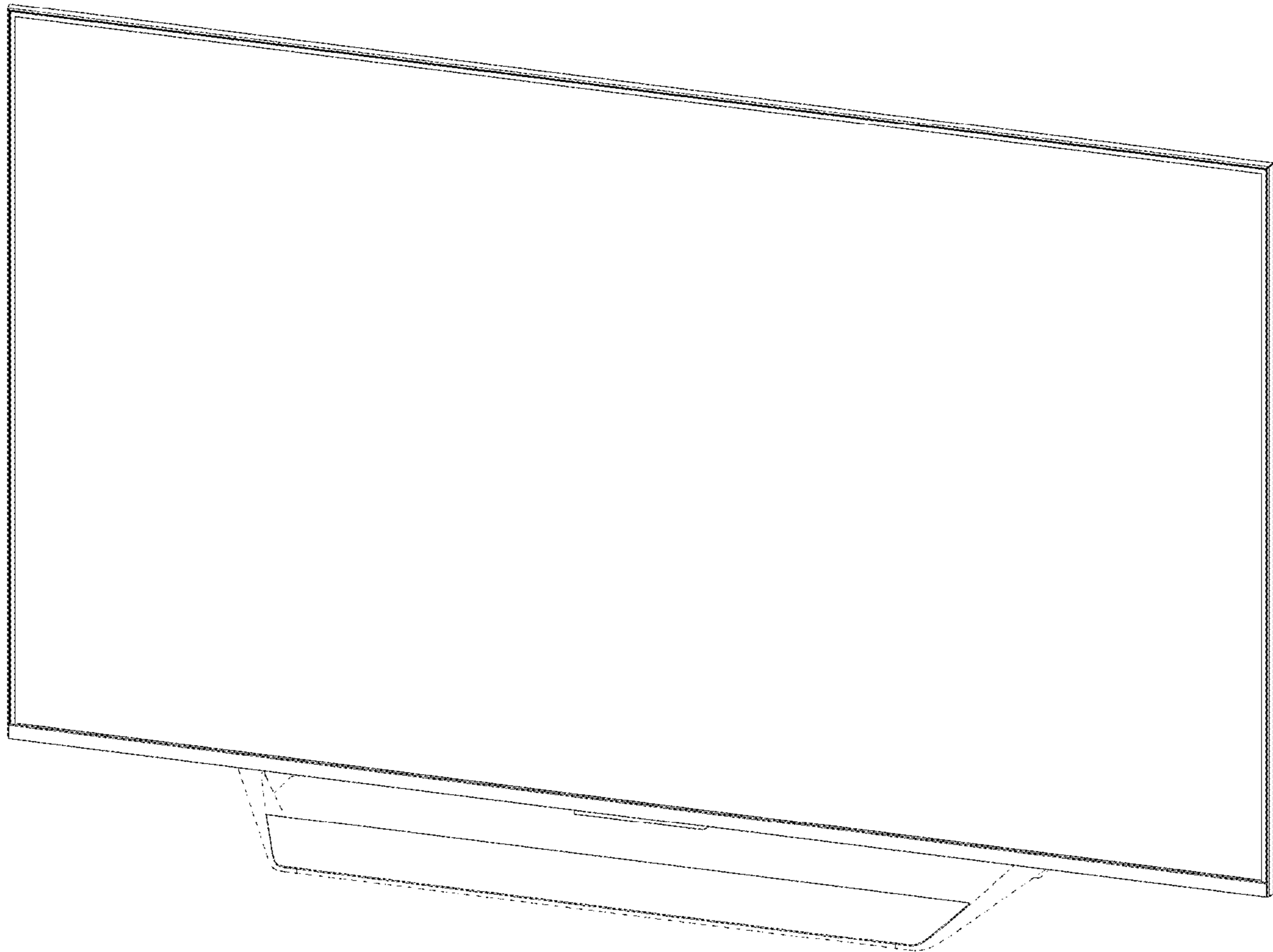
1.4



1.5



1.6



1.7