

US00D979523S

(12) **United States Design Patent**  
**Neau et al.**

(10) **Patent No.:** **US D979,523 S**  
(45) **Date of Patent:** **\*\* Feb. 28, 2023**

- (54) **SWITCH LOCKOUT DEVICE**
- (71) Applicant: **Master Lock Company LLC**, Oak Creek, WI (US)
- (72) Inventors: **Michael Neau**, Kenosha, WI (US); **Andrew Bartel**, Franklin, WI (US)
- (73) Assignee: **MASTER LOCK COMPANY LLC**, Oak Creek, WI (US)
- (\*\*) Term: **15 Years**
- (21) Appl. No.: **29/763,044**
- (22) Filed: **Dec. 21, 2020**

**Related U.S. Application Data**

- (62) Division of application No. 29/701,639, filed on Aug. 13, 2019, now Pat. No. Des. 914,618.
- (51) **LOC (14) Cl.** ..... **13-03**
- (52) **U.S. Cl.**  
USPC ..... **D13/178**
- (58) **Field of Classification Search**  
USPC ..... D13/173, 178, 199; D8/330, 331  
CPC ..... H01H 9/20; H01H 9/28; H01H 9/282;  
H01H 9/283; E05B 65/00  
See application file for complete search history.

(56) **References Cited**

**U.S. PATENT DOCUMENTS**

D365,547 S	12/1995	Steinwachs
5,732,815 A	3/1998	Brouwer
6,617,532 B1	9/2003	Turek
6,696,651 B1	2/2004	Koopmeiners
D535,629 S	1/2007	Kalous et al.
7,262,376 B2	8/2007	Brojanac et al.
D564,337 S	3/2008	Brojanac et al.

D564,859 S	3/2008	Brojanac et al.	
9,202,646 B2	12/2015	Obenshain	
9,208,964 B2	12/2015	Dudgeon et al.	
D808,345 S	1/2018	Benda	
9,875,858 B2	1/2018	Montgomery	
D845,257 S	4/2019	Benda	
10,354,812 B1	7/2019	Enger	
D914,618 S *	3/2021	Neau	D13/178
D934,819 S *	11/2021	Enger	H01H 9/283
			D13/178
D947,797 S *	4/2022	Thom	D13/173
2021/0050162 A1 *	2/2021	Neau	H01H 9/0207
2021/0110982 A1 *	4/2021	Lind	H01H 9/283
2021/0166898 A1 *	6/2021	Hagen	H01H 21/06

\* cited by examiner

*Primary Examiner* — Selina Sikder

(74) *Attorney, Agent, or Firm* — Calfee, Halter & Griswold LLP

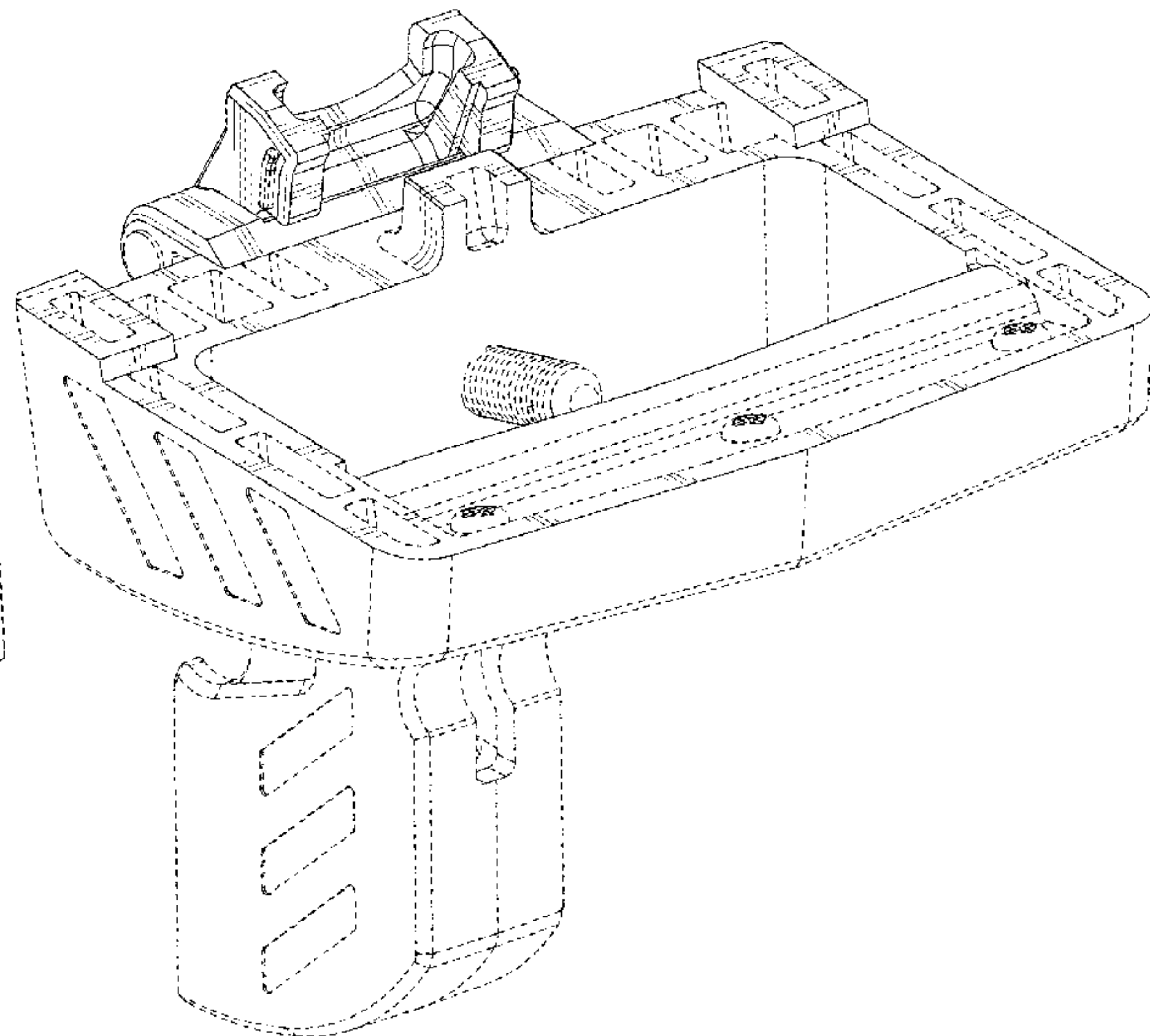
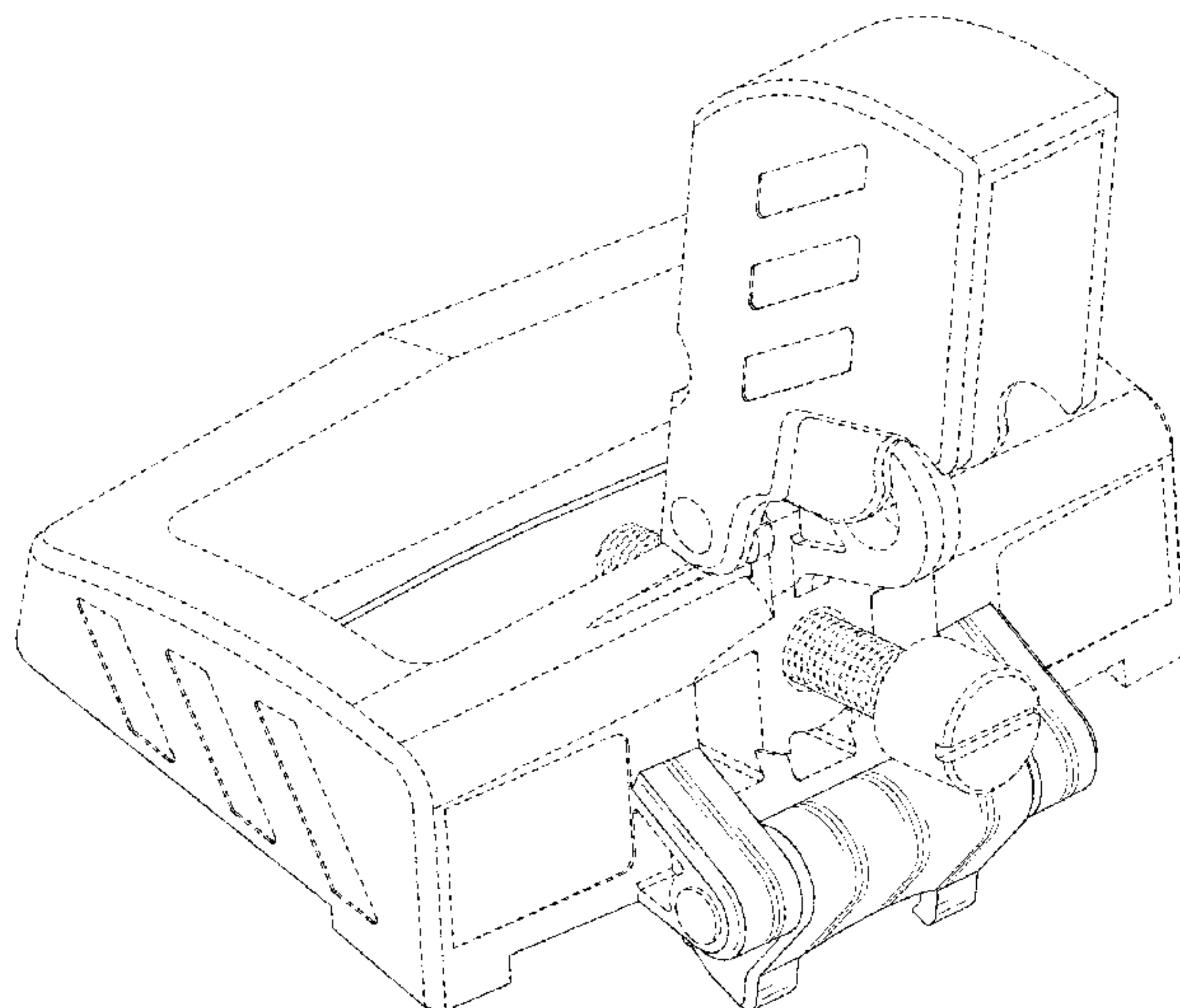
(57) **CLAIM**

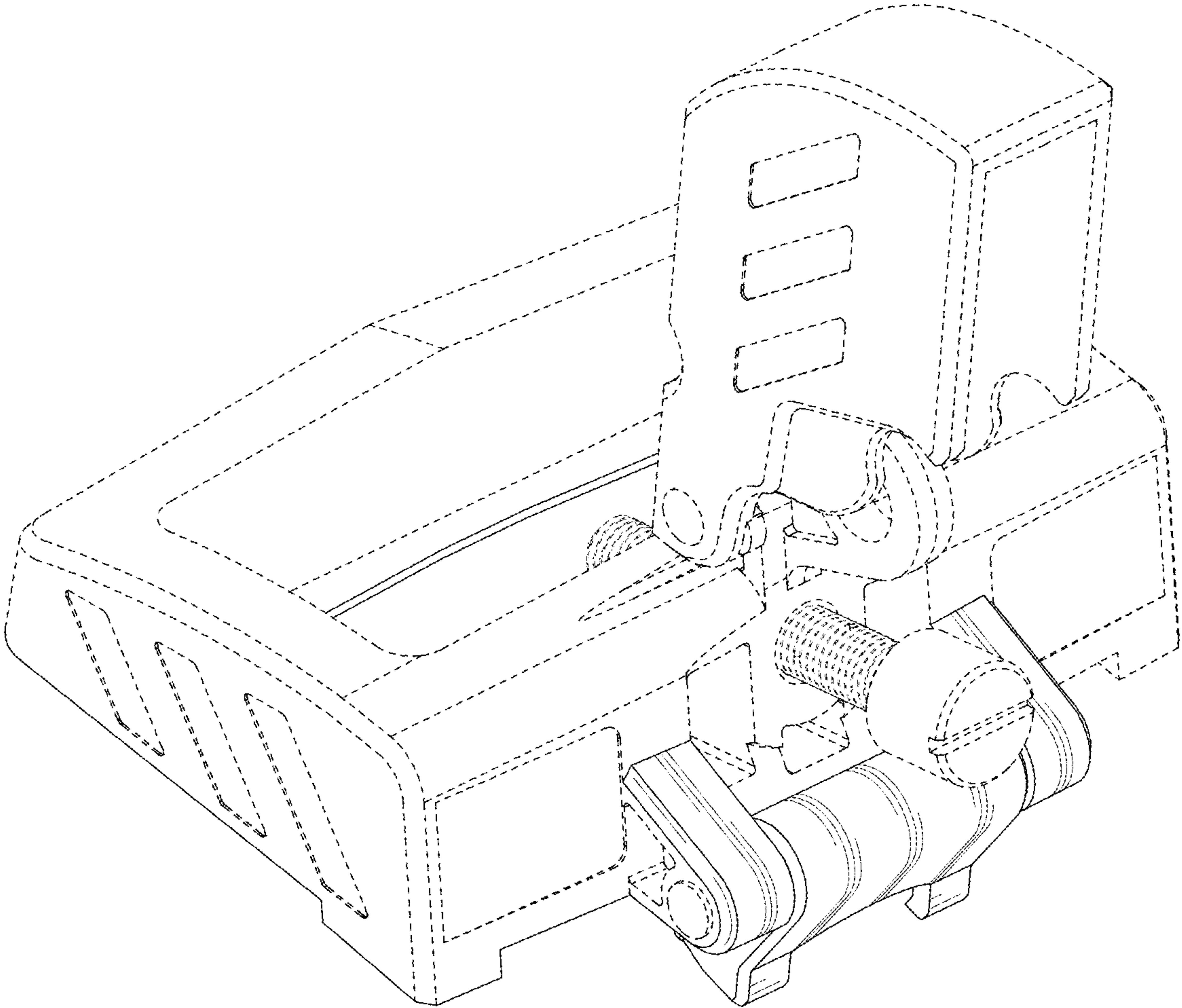
We claim the ornamental design for a switch lockout device, as shown and described.

**DESCRIPTION**

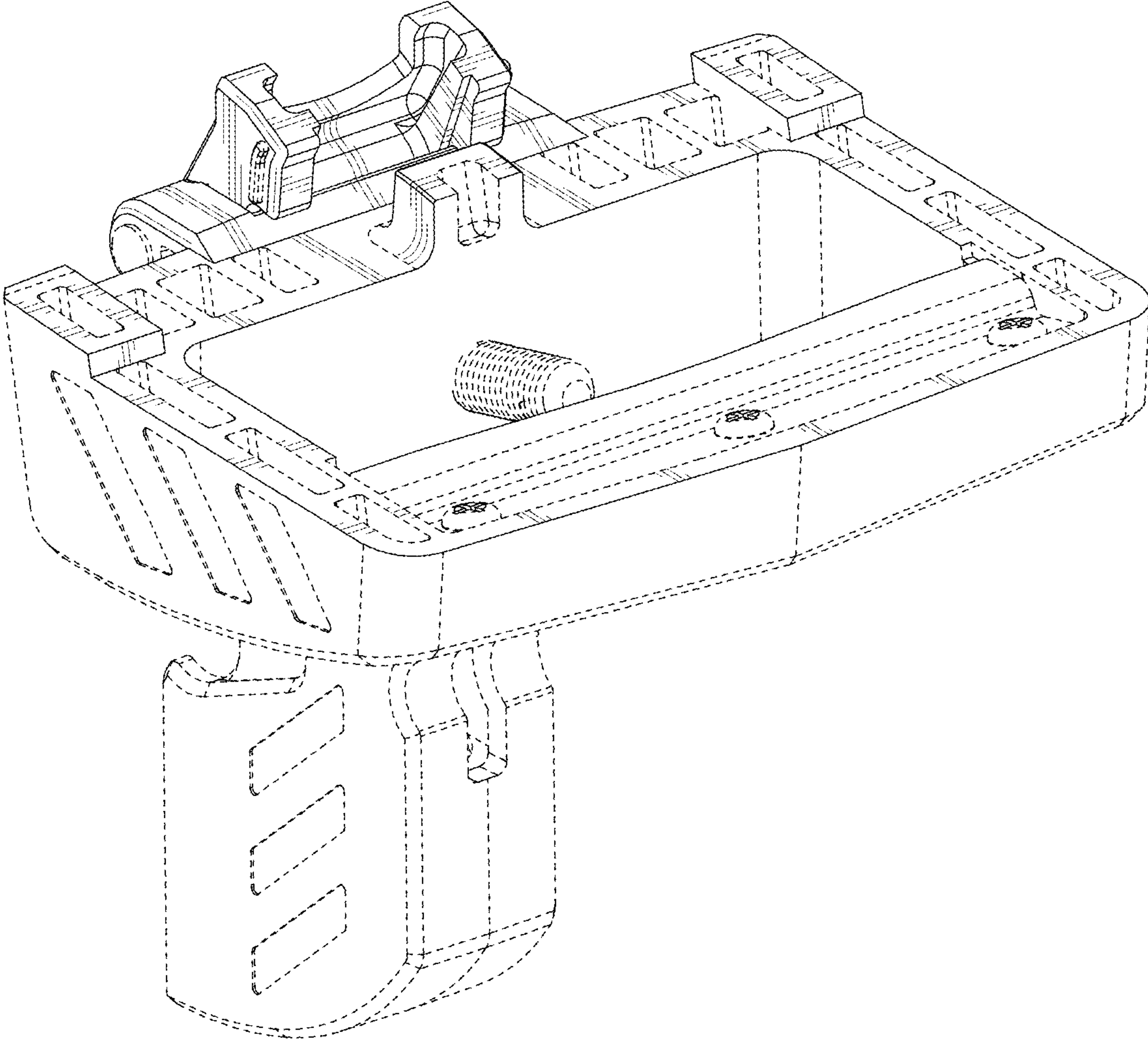
FIG. 1 is an upper perspective view of the switch lockout device, shown with the cover in the open position and the adjustable cleat in the extended position;  
 FIG. 2 is a lower perspective view thereof;  
 FIG. 3 is a top plan view thereof;  
 FIG. 4 is a right side elevational view thereof;  
 FIG. 5 is a left side elevational view thereof;  
 FIG. 6 is a bottom plan view thereof;  
 FIG. 7 is a front elevational view thereof; and,  
 FIG. 8 is a rear elevational view thereof.  
 The portions of the switch lockout device shown in broken lines are for illustrative purpose only and form no part of the claimed design.

**1 Claim, 6 Drawing Sheets**



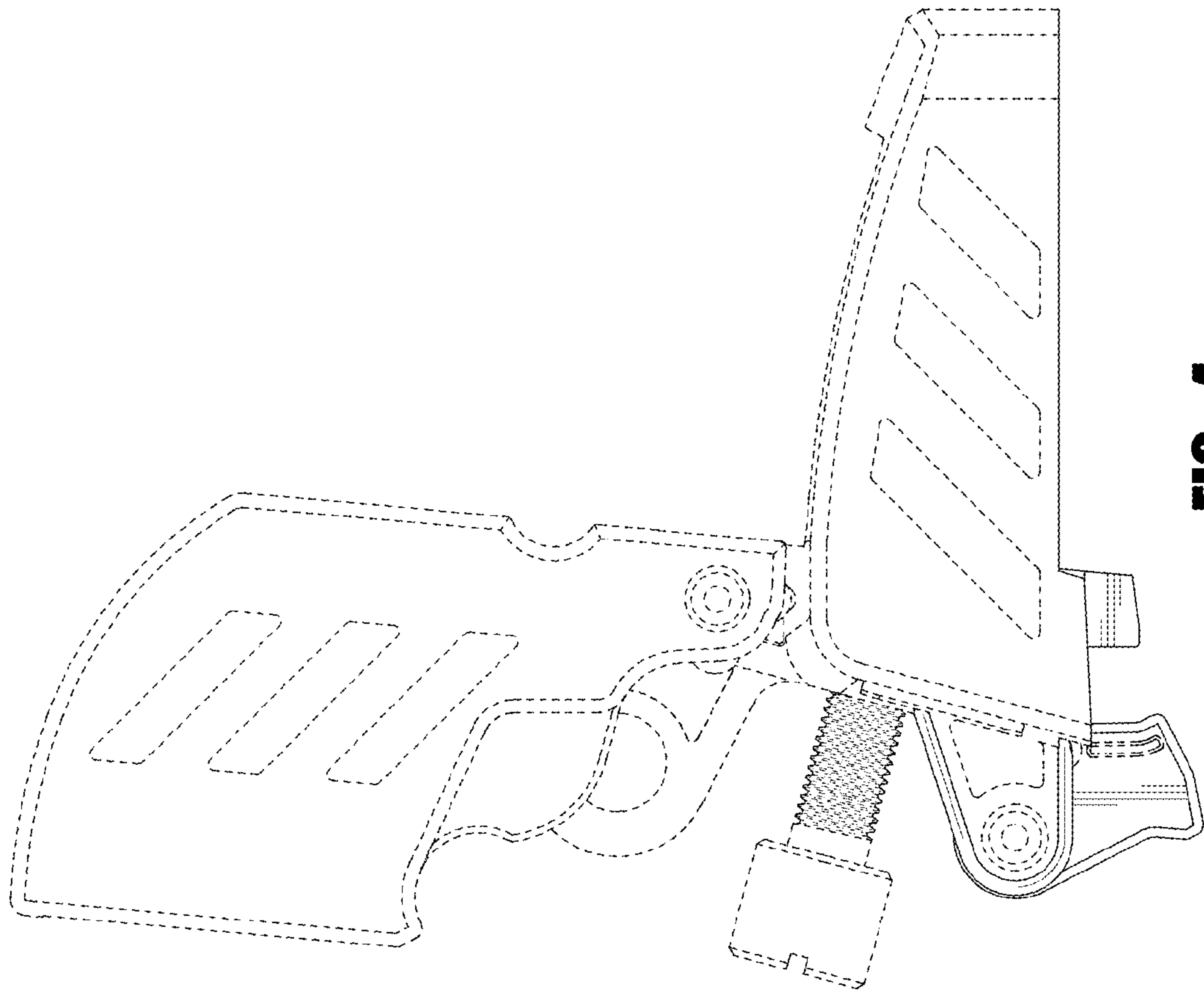


**FIG. 1**

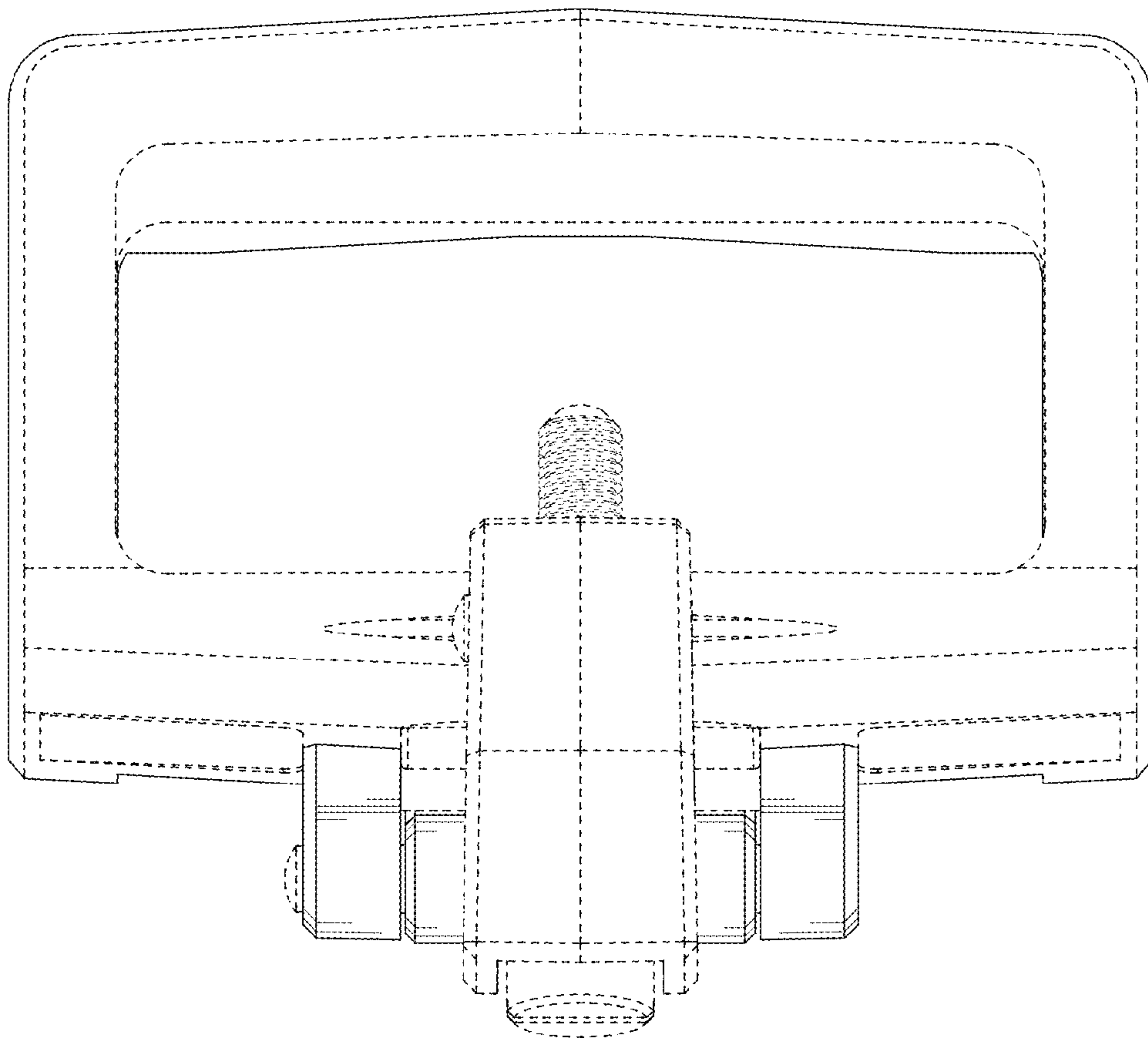


**FIG. 2**

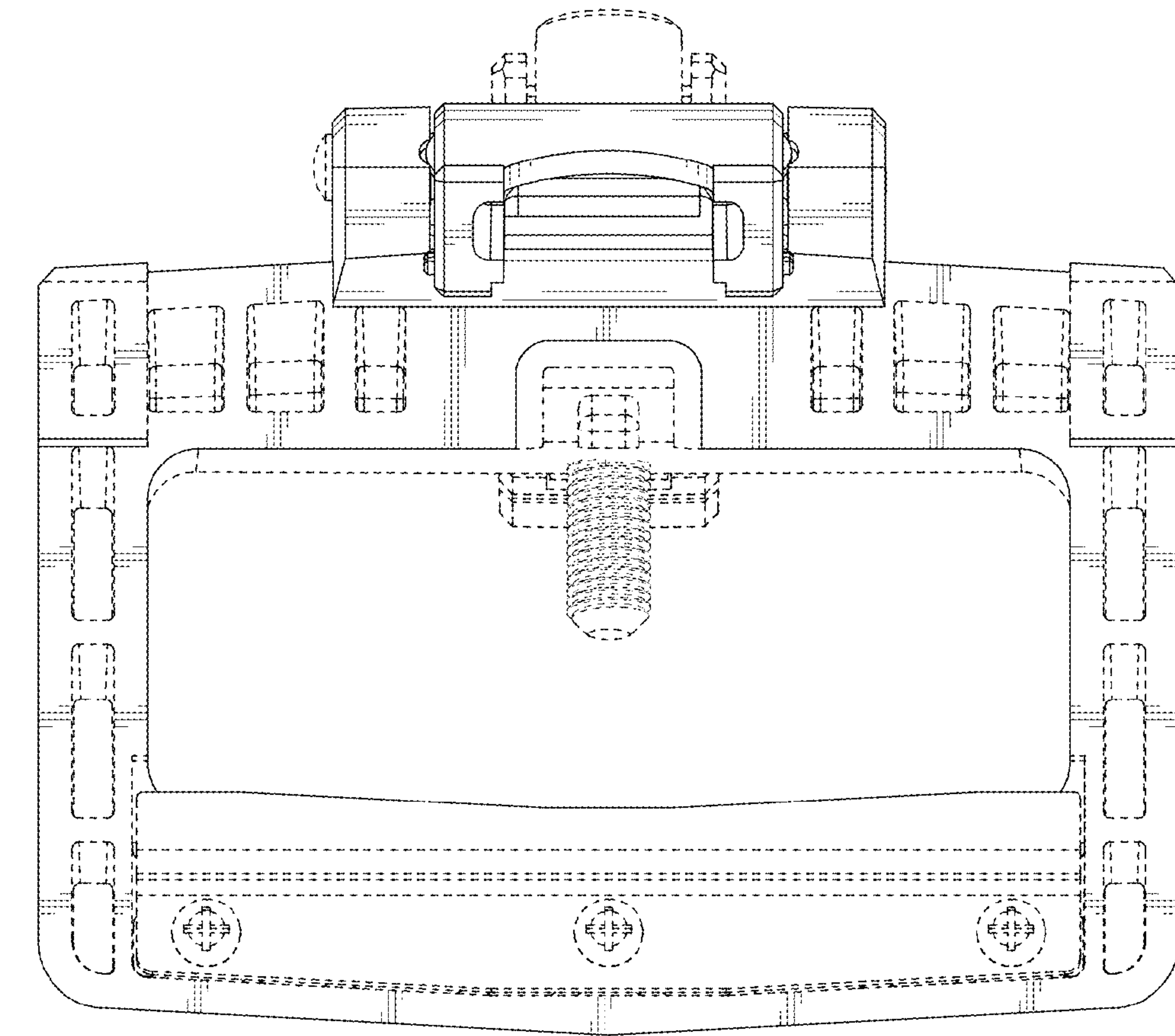




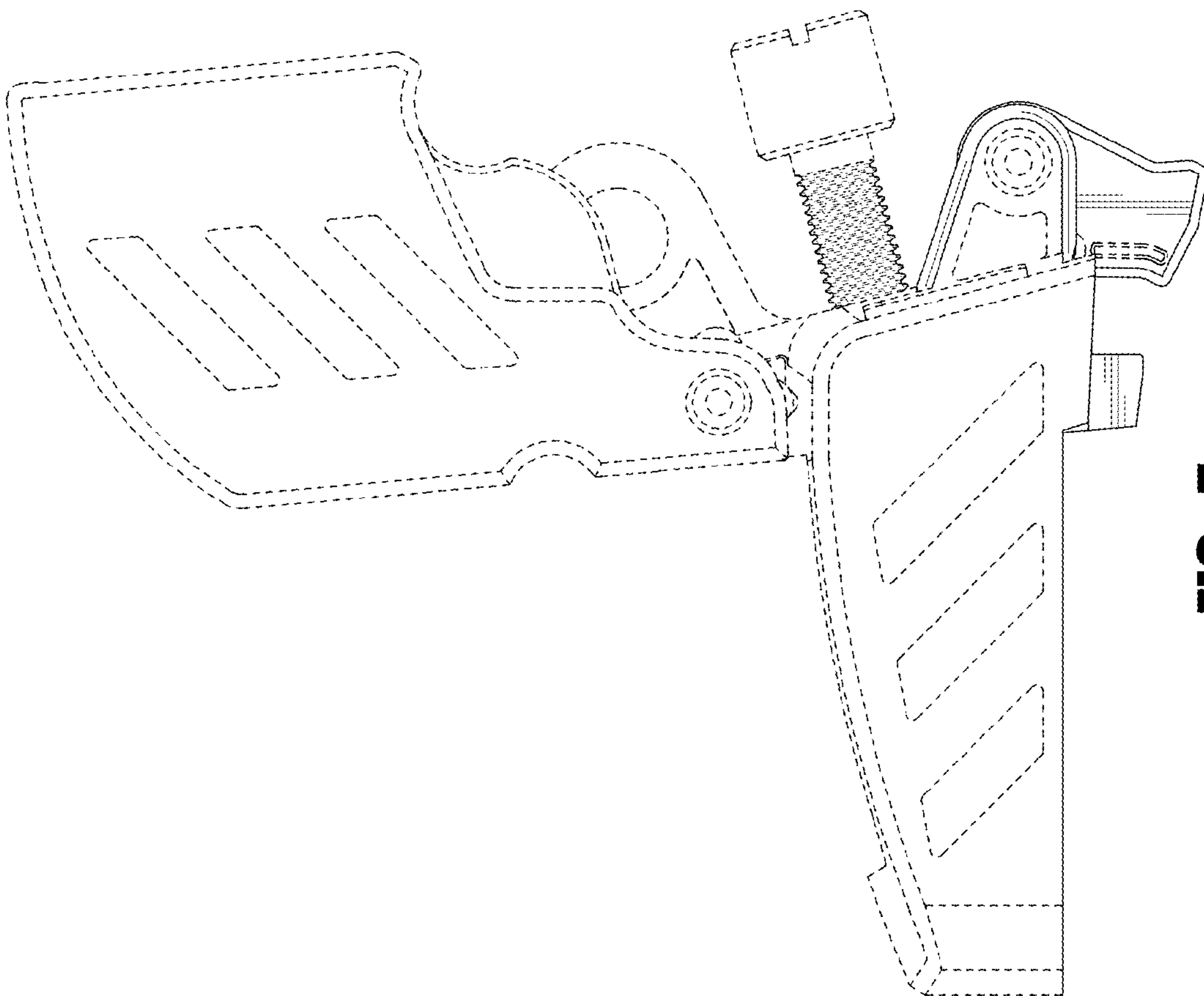
**FIG. 4**



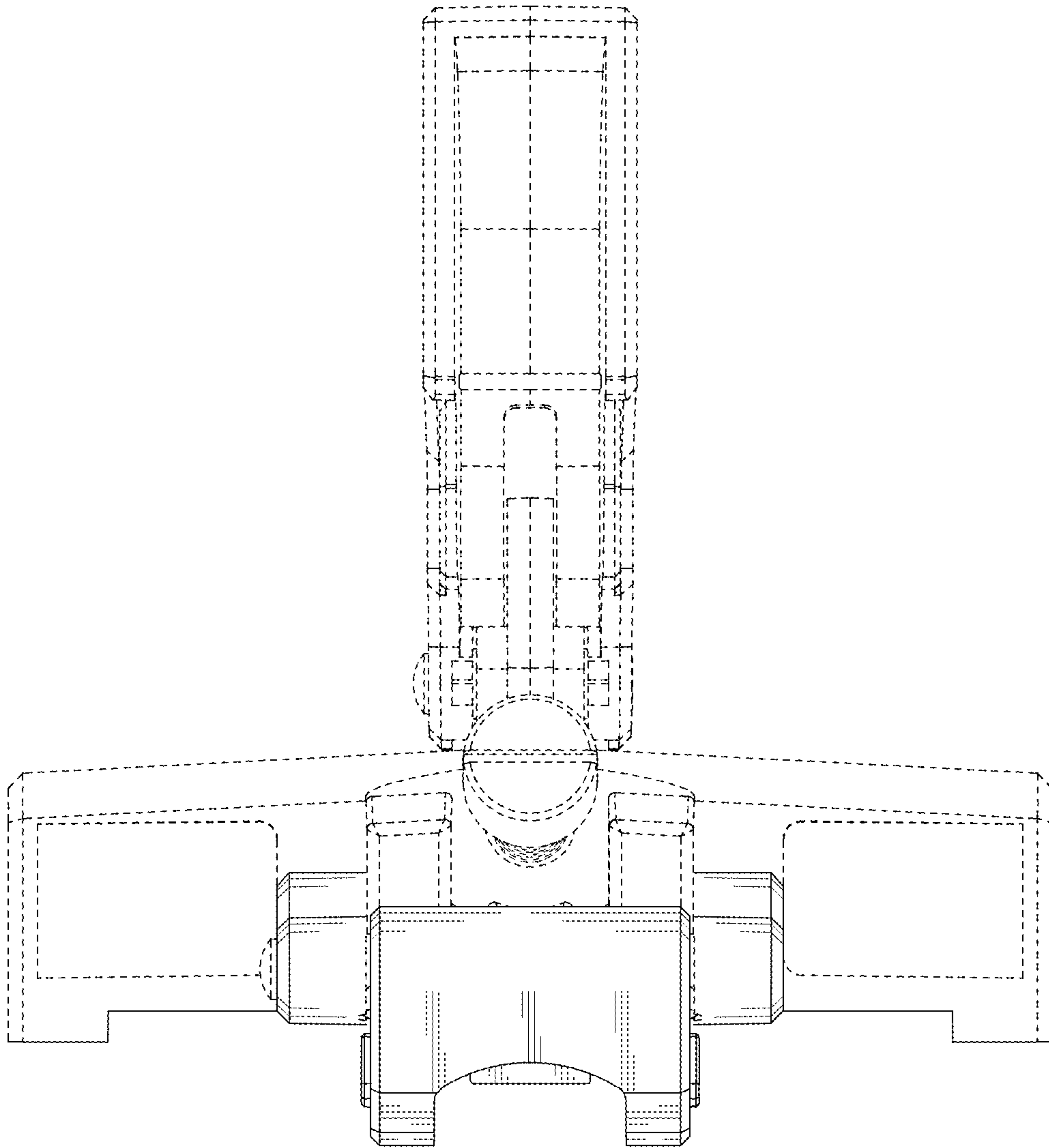
**FIG. 3**



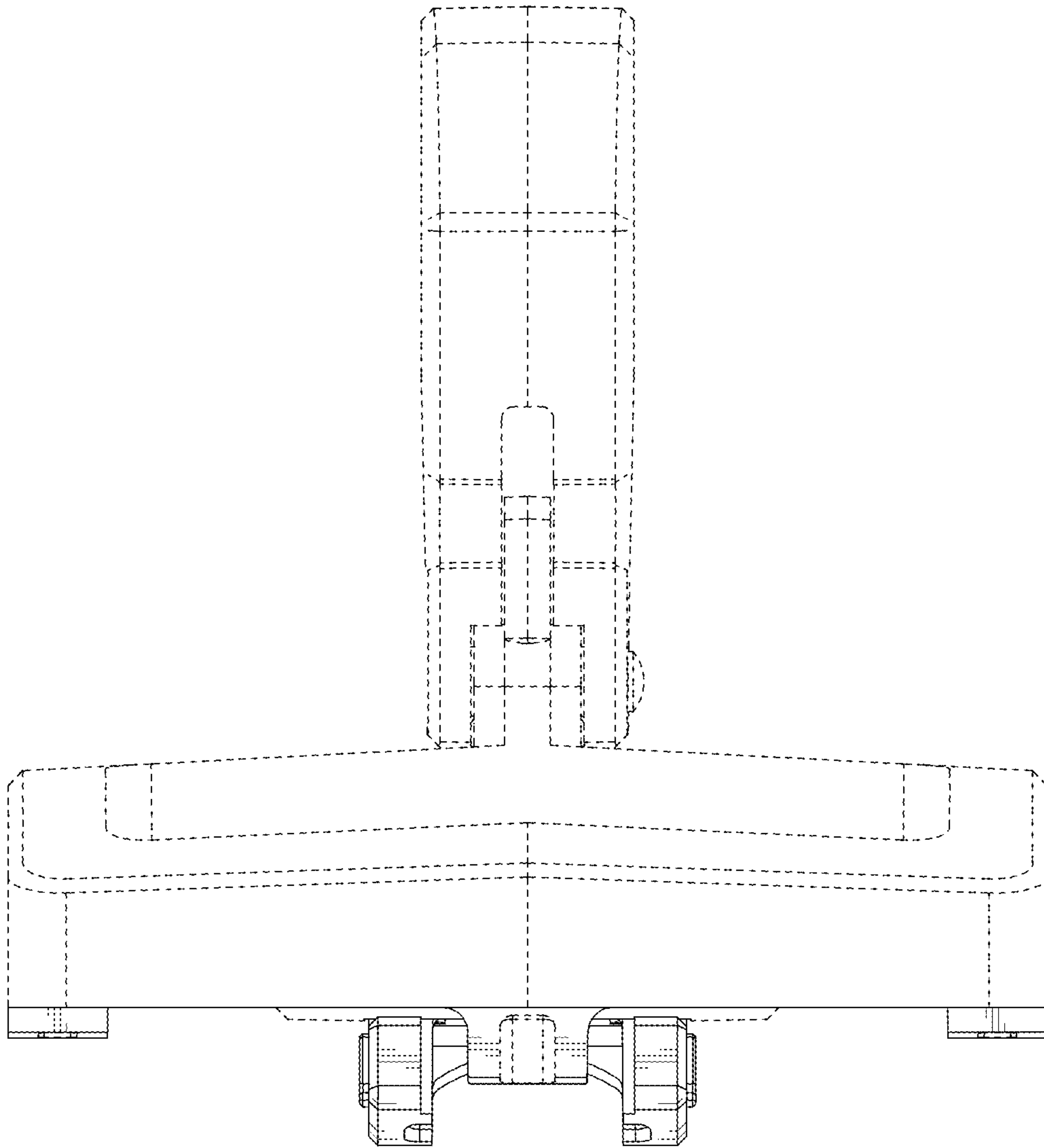
**FIG. 5**



**FIG. 6**



**FIG. 7**



**FIG. 8**