



US00D979522S

(12) **United States Design Patent**
Neau et al.

(10) **Patent No.:** **US D979,522 S**
(45) **Date of Patent:** **** Feb. 28, 2023**

(54) **SWITCH LOCKOUT DEVICE**
(71) Applicant: **Master Lock Company LLC**, Oak Creek, WI (US)
(72) Inventors: **Michael Neau**, Kenosha, WI (US); **Andrew Bartel**, Franklin, WI (US)
(73) Assignee: **MASTER LOCK COMPANY LLC**, Oak Creek, WI (US)
(**) Term: **15 Years**

D564,859 S 3/2008 Brojanac et al.
9,202,646 B2 12/2015 Obenshain
9,208,964 B2 12/2015 Dudgeon et al.
D808,345 S 1/2018 Benda
9,875,858 B2 1/2018 Montgomery
D845,257 S 4/2019 Benda
10,354,812 B1 7/2019 Enger
D914,618 S * 3/2021 Neau D13/178
D934,819 S * 11/2021 Enger H01H 9/283
D13/178
D947,797 S * 4/2022 Thom D13/173
2021/0050162 A1* 2/2021 Neau H01H 9/0207
2021/0110982 A1* 4/2021 Lind H01H 9/283
2021/0166898 A1* 6/2021 Hagen H01H 21/06

(21) Appl. No.: **29/763,041**
(22) Filed: **Dec. 21, 2020**

* cited by examiner

Primary Examiner — Selina Sikder
(74) *Attorney, Agent, or Firm* — Calfee, Halter & Griswold LLP

Related U.S. Application Data

(62) Division of application No. 29/701,639, filed on Aug. 13, 2019, now Pat. No. Des. 914,618.
(51) **LOC (14) Cl.** **13-03**
(52) **U.S. Cl.**
USPC **D13/178**
(58) **Field of Classification Search**
USPC D13/173, 178, 199; D8/330, 331
CPC H01H 9/20; H01H 9/28; H01H 9/282;
H01H 9/283; E05B 65/00
See application file for complete search history.

(57) **CLAIM**

We claim the ornamental design for a switch lockout device, as shown and described.

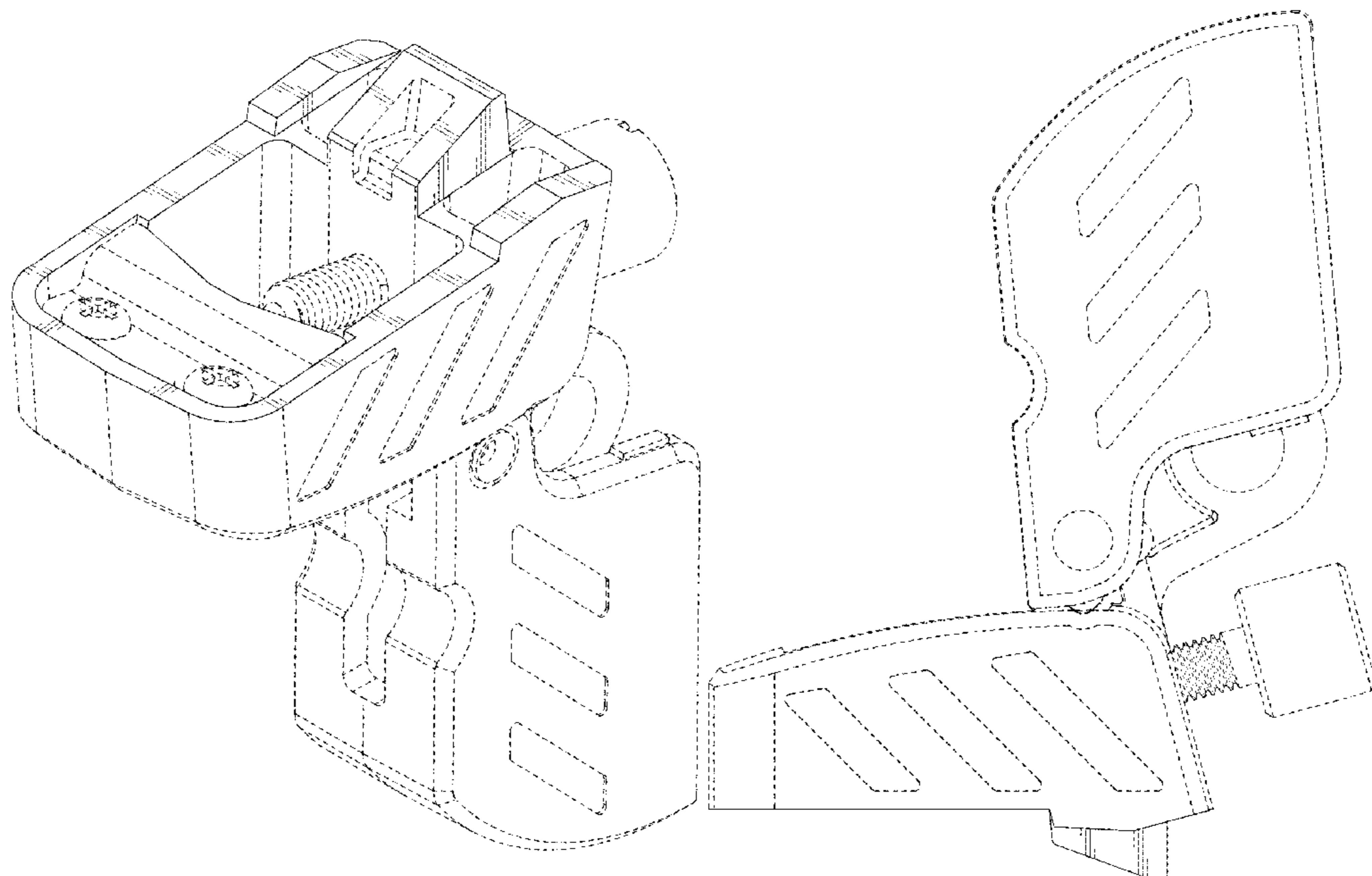
DESCRIPTION

FIG. 1 is an upper perspective view of the switch lockout device, shown with the cover in the open position; FIG. 2 is a lower perspective view thereof; FIG. 3 is a top plan view thereof; FIG. 4 is a right side elevational view thereof; FIG. 5 is a left side elevational view thereof; FIG. 6 is a bottom plan view thereof; FIG. 7 is a front elevational view thereof; and, FIG. 8 is a rear elevational view thereof. The portions of the switch lockout device shown in broken lines are for illustrative purpose only and form no part of the claimed design.

(56) **References Cited**
U.S. PATENT DOCUMENTS

D365,547 S 12/1995 Steinwachs
5,732,815 A 3/1998 Brouwer
6,617,532 B1 9/2003 Turek
6,696,651 B1 2/2004 Koopmeiners
D535,629 S 1/2007 Kalous et al.
7,262,376 B2 8/2007 Brojanac et al.
D564,337 S 3/2008 Brojanac et al.

1 Claim, 5 Drawing Sheets



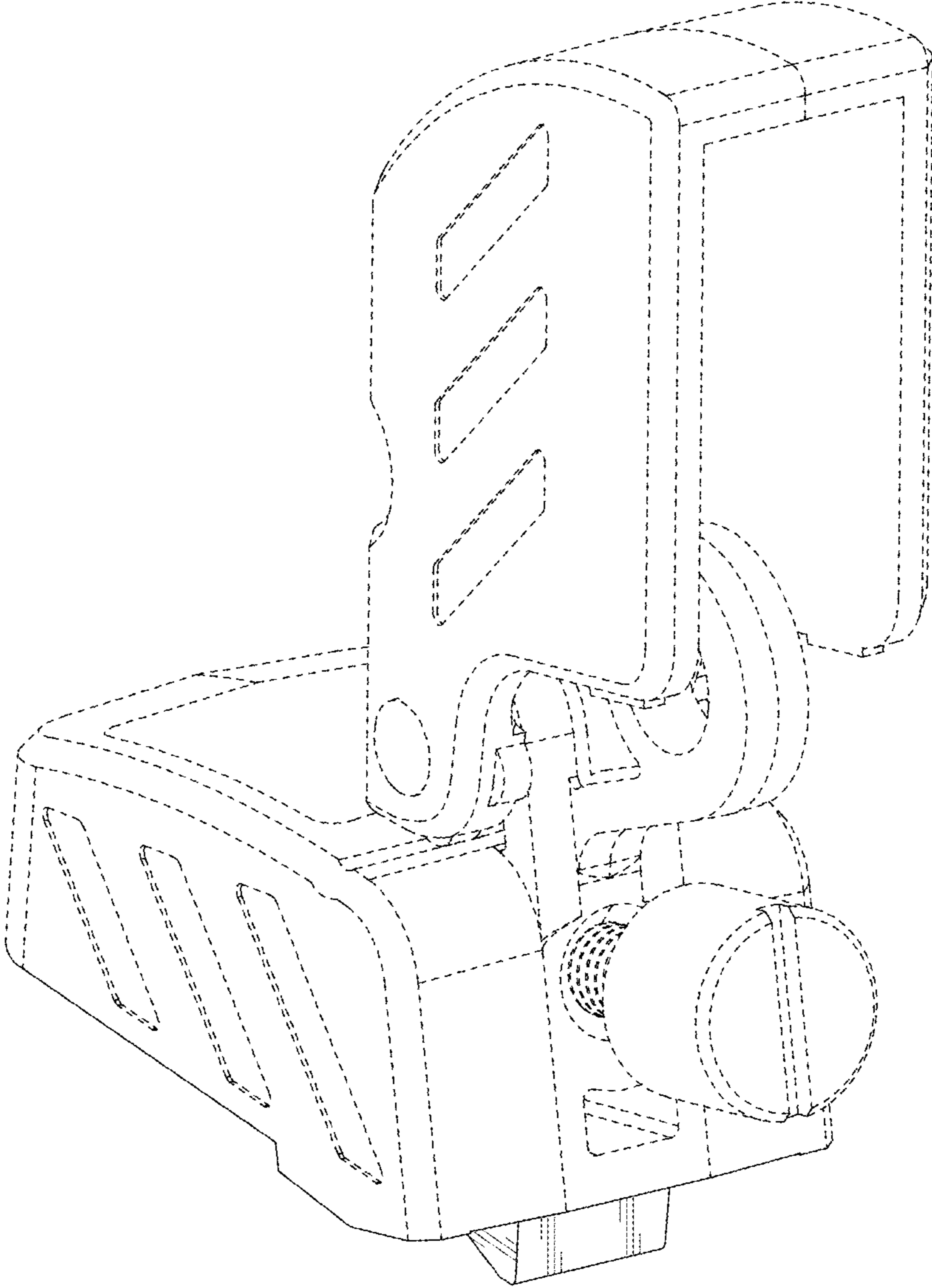


FIG. 1

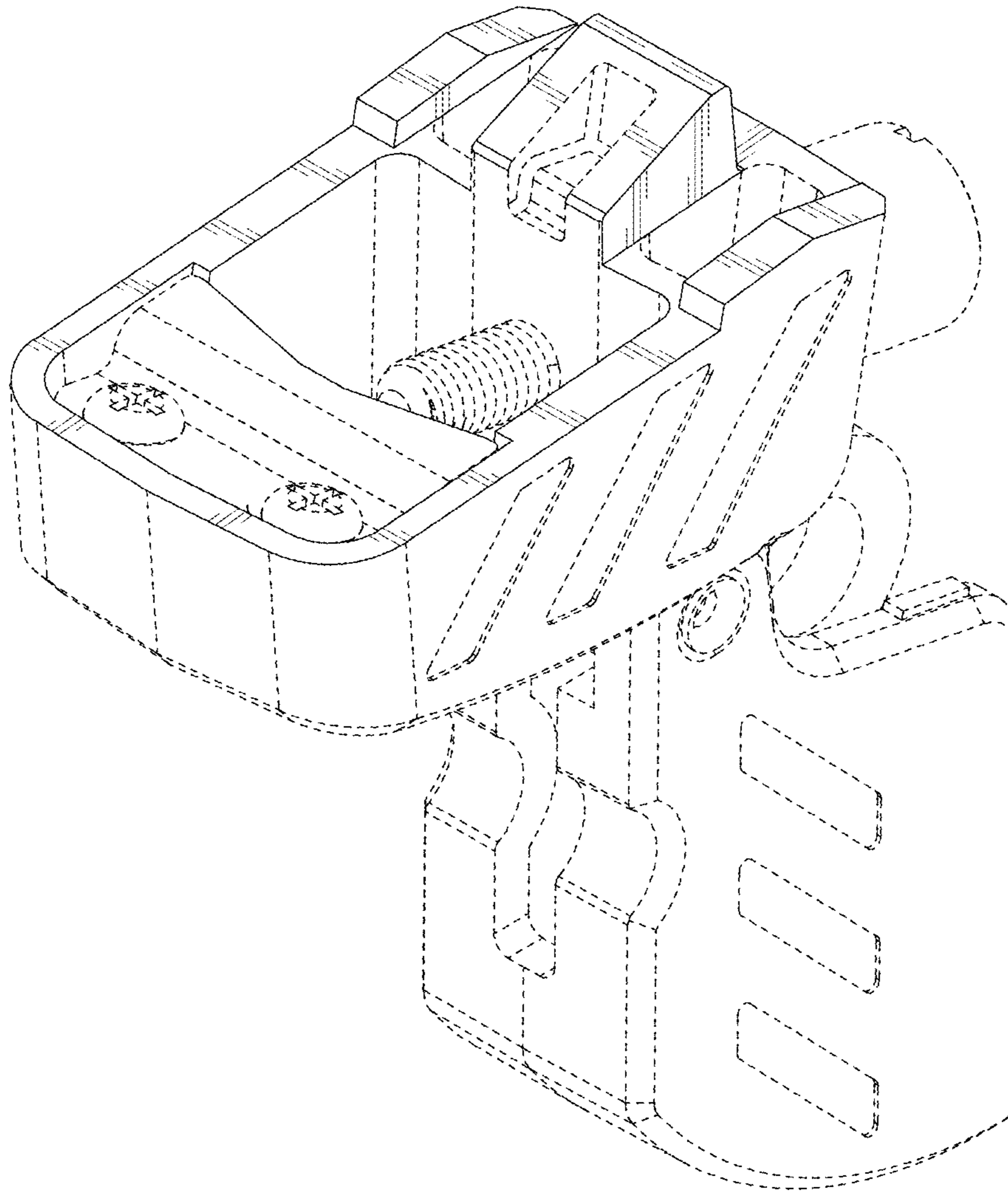


FIG. 2

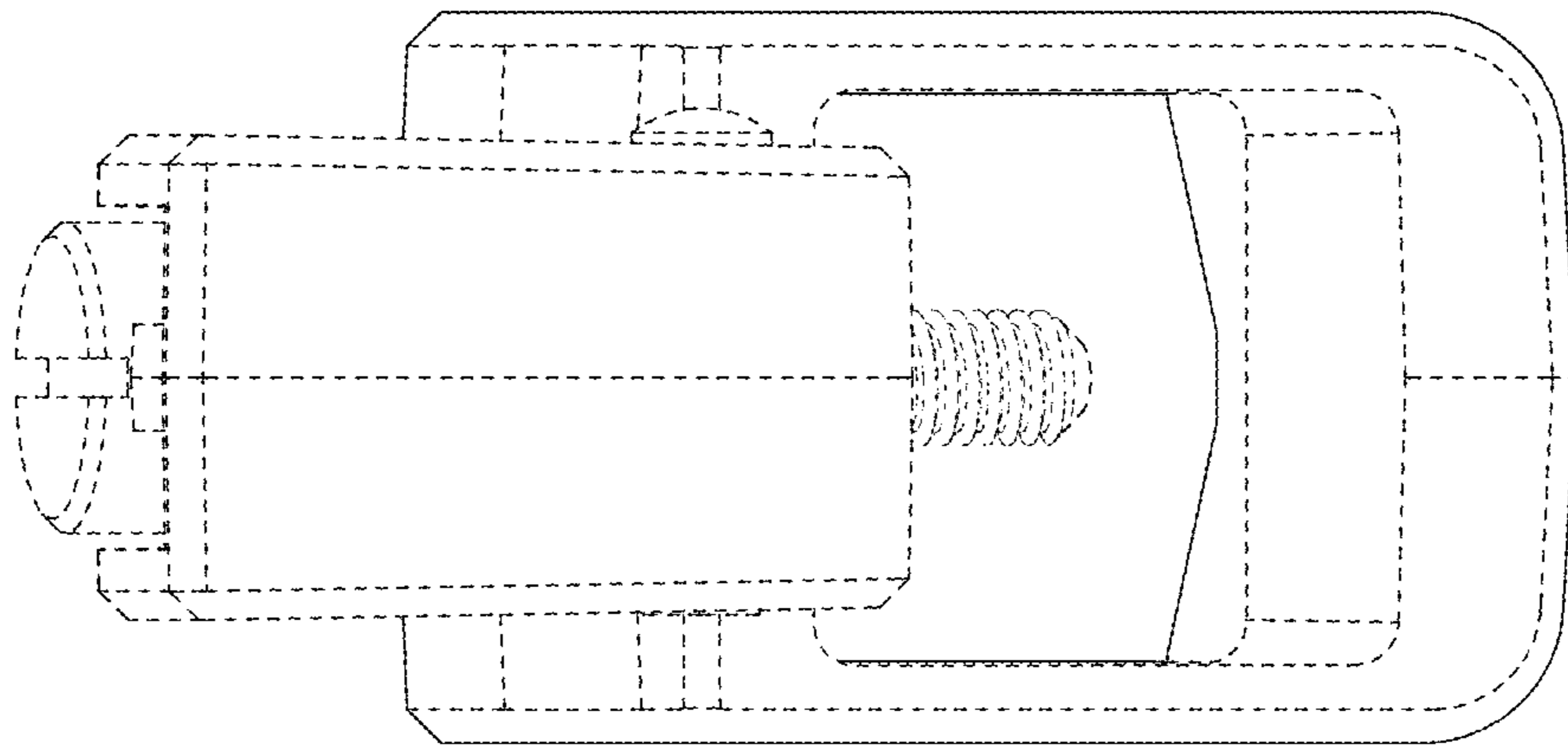


FIG. 3

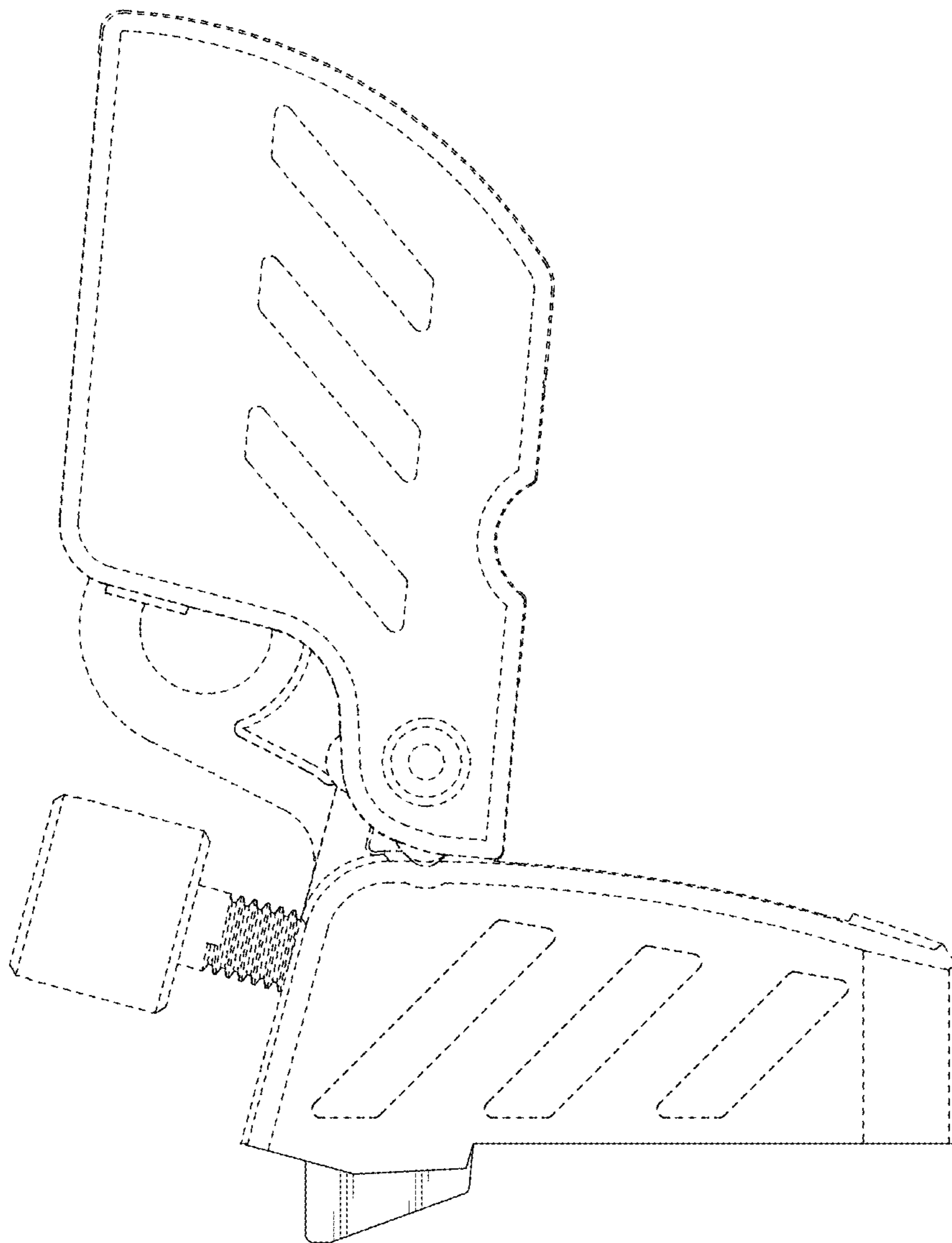


FIG. 4

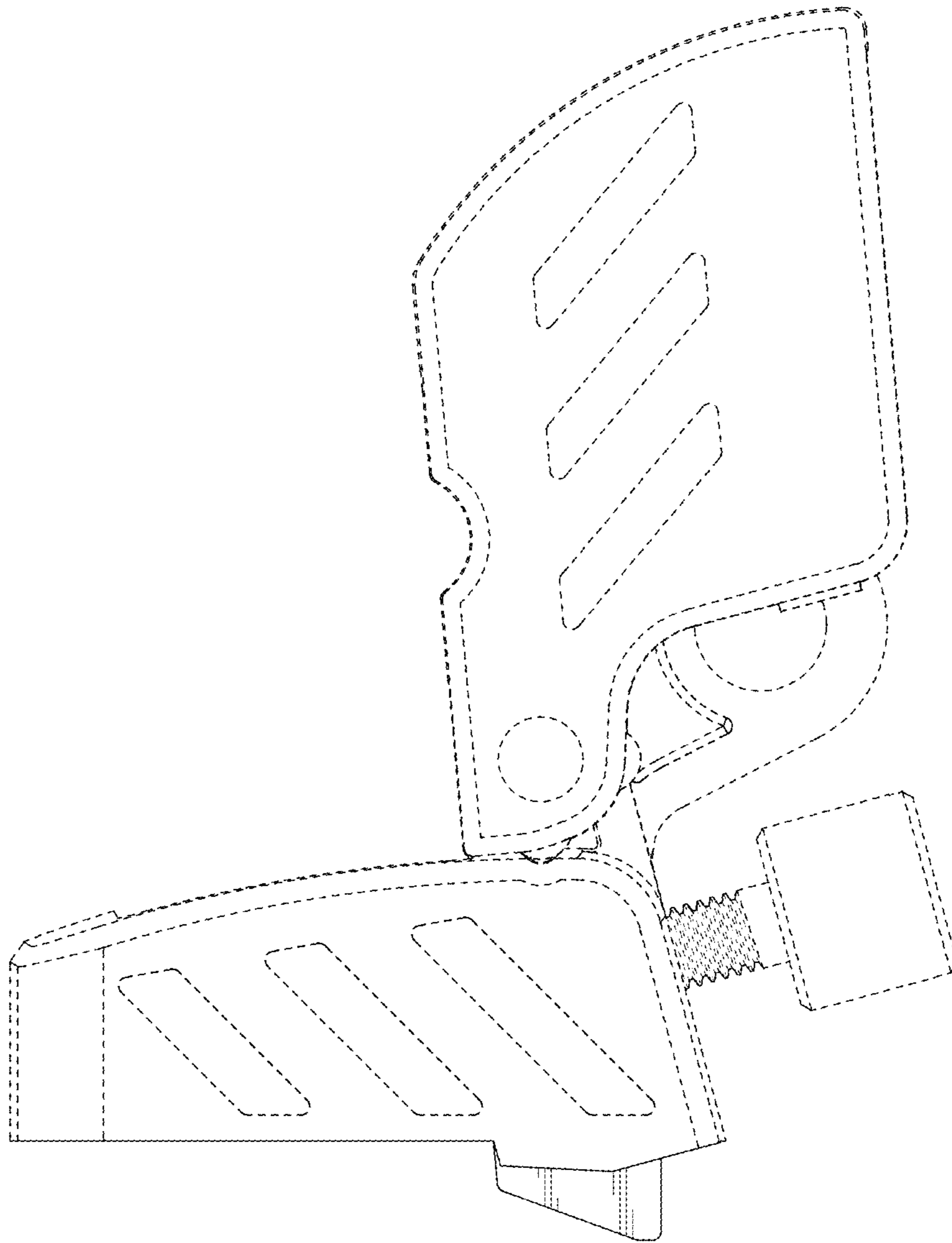


FIG. 5

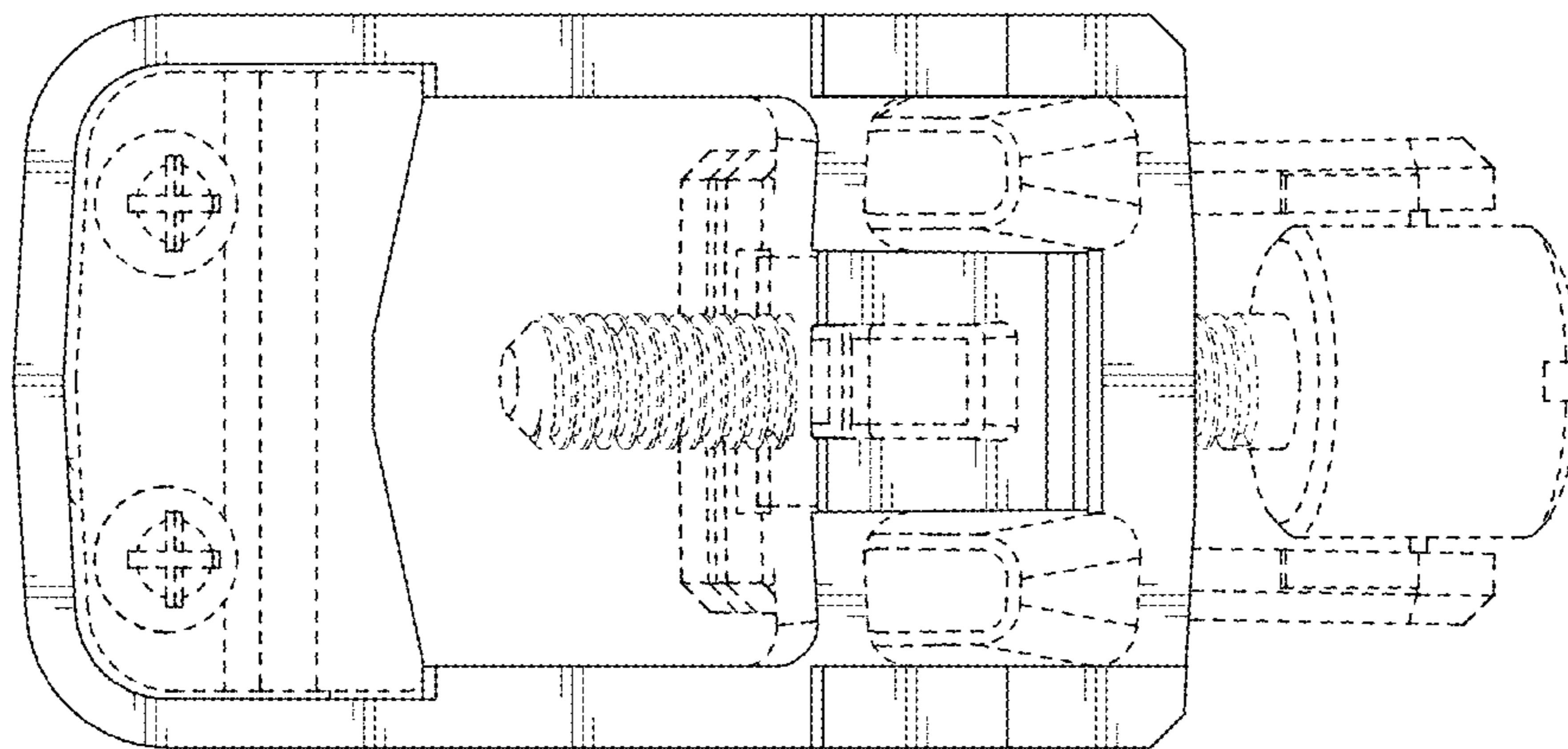


FIG. 6

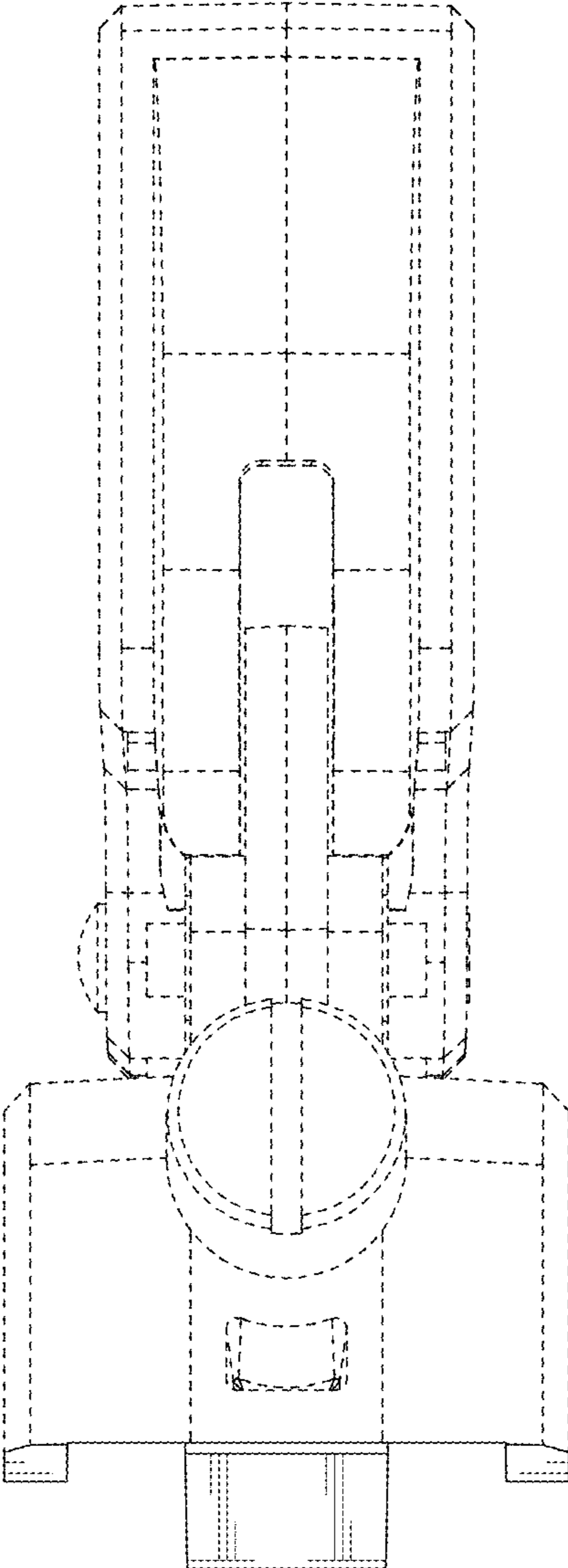


FIG. 7

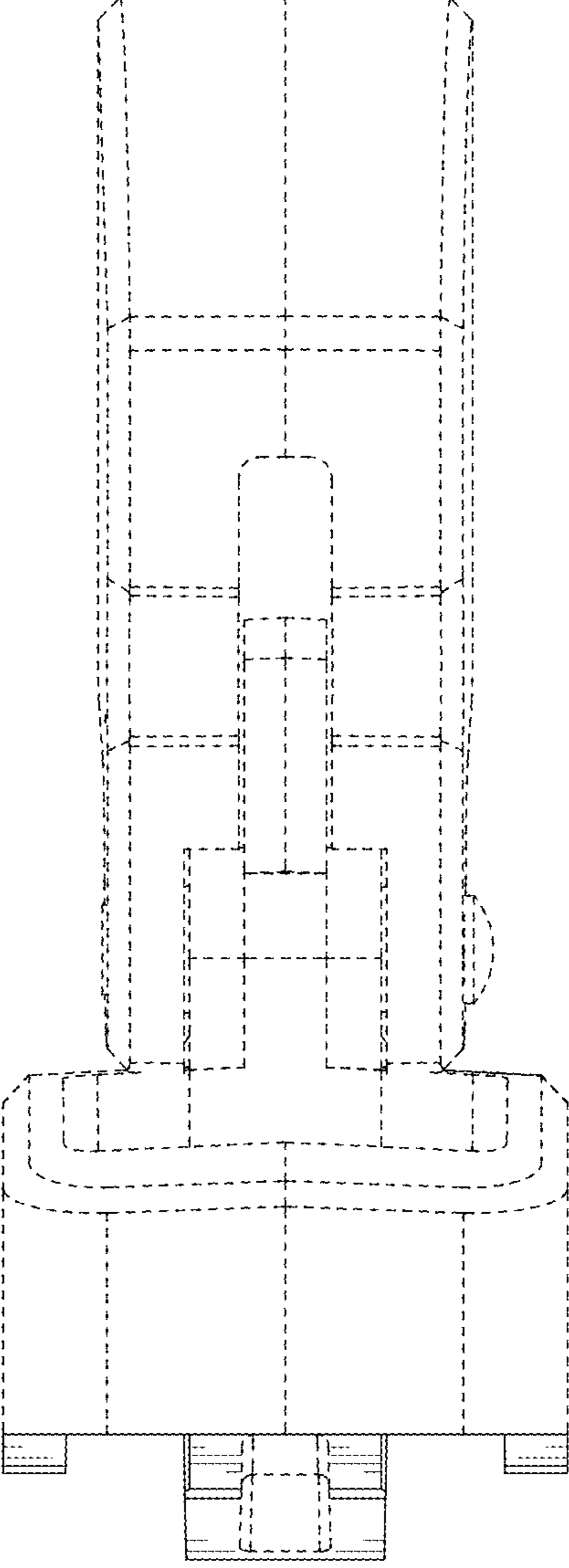


FIG. 8