



US00D979521S

(12) **United States Design Patent**  
**Schmid**

(10) **Patent No.:** **US D979,521 S**

(45) **Date of Patent:** **\*\* \*Feb. 28, 2023**

(54) **ELECTRONIC DEVICE**

(71) Applicant: **WÖHNER BESITZ GMBH**, Rödental (DE)

(72) Inventor: **Jürgen R. Schmid**, Ammerbuch (DE)

(73) Assignee: **Wöhner Besitz GmbH**, Rodental (DE)

(\*) Notice: This patent is subject to a terminal disclaimer.

(\*\*) Term: **15 Years**

(21) Appl. No.: **29/764,997**

(22) Filed: **Jan. 5, 2021**

(30) **Foreign Application Priority Data**

Jul. 13, 2020 (EM) ..... 008037600

(51) **LOC (14) Cl.** ..... **13-03**

(52) **U.S. Cl.**  
USPC ..... **D13/162; D13/159; D13/162.1**

(58) **Field of Classification Search**  
USPC ..... D10/46, 75, 104.1; D13/103, 107, 108, D13/110, 123, 133, 139.4, 146, 147, 158, D13/159, 162, 162.1, 164, 178, 182, 184; D14/125, 140.4, 155, 214, 230, 239, 240, D14/242, 256, 299, 300, 301, 308, 313, D14/349, 353, 356, 358, 368, 389, 433, D14/435, 438, 441, 444, 496

CPC .. H05K 7/1465; H05K 7/1484; H05K 5/0204; H04B 1/38; H04B 1/3888; H01H 71/0228; G06F 1/183; G05B 19/414

See application file for complete search history.

(56) **References Cited**

**U.S. PATENT DOCUMENTS**

D281,493 S \* 11/1985 Prager ..... D13/162.1  
D309,600 S \* 7/1990 Backes ..... D13/162.1

5,493,194 A \* 2/1996 Damiano ..... H05K 7/1484  
318/575  
D417,223 S \* 11/1999 Groves ..... D14/125  
6,172,875 B1 \* 1/2001 Suzuki ..... H05K 7/1465  
361/752  
D629,398 S \* 12/2010 Chang ..... D14/240  
D735,667 S \* 8/2015 Mielnik ..... D13/123  
D798,236 S \* 9/2017 Nada ..... D13/162  
D816,048 S \* 4/2018 Stray ..... D13/162  
D837,785 S \* 1/2019 Izumo ..... D14/356  
D898,680 S \* 10/2020 Thatcher ..... D13/162  
10,840,046 B2 \* 11/2020 Delbaere ..... H01H 71/0228

(Continued)

**OTHER PUBLICATIONS**

C14, Date: Nov. 24, 2020, [online], [site visited Apr. 6, 2022]. Available from internet, URL: <https://www.motus-c14.de/en/> (Year: 2020).\*

(Continued)

*Primary Examiner* — Shawn T Gingrich

*Assistant Examiner* — Bryan N. Melvin

(74) *Attorney, Agent, or Firm* — Millen, White, Zelano & Branigan, P.C.; William Nixon

(57) **CLAIM**

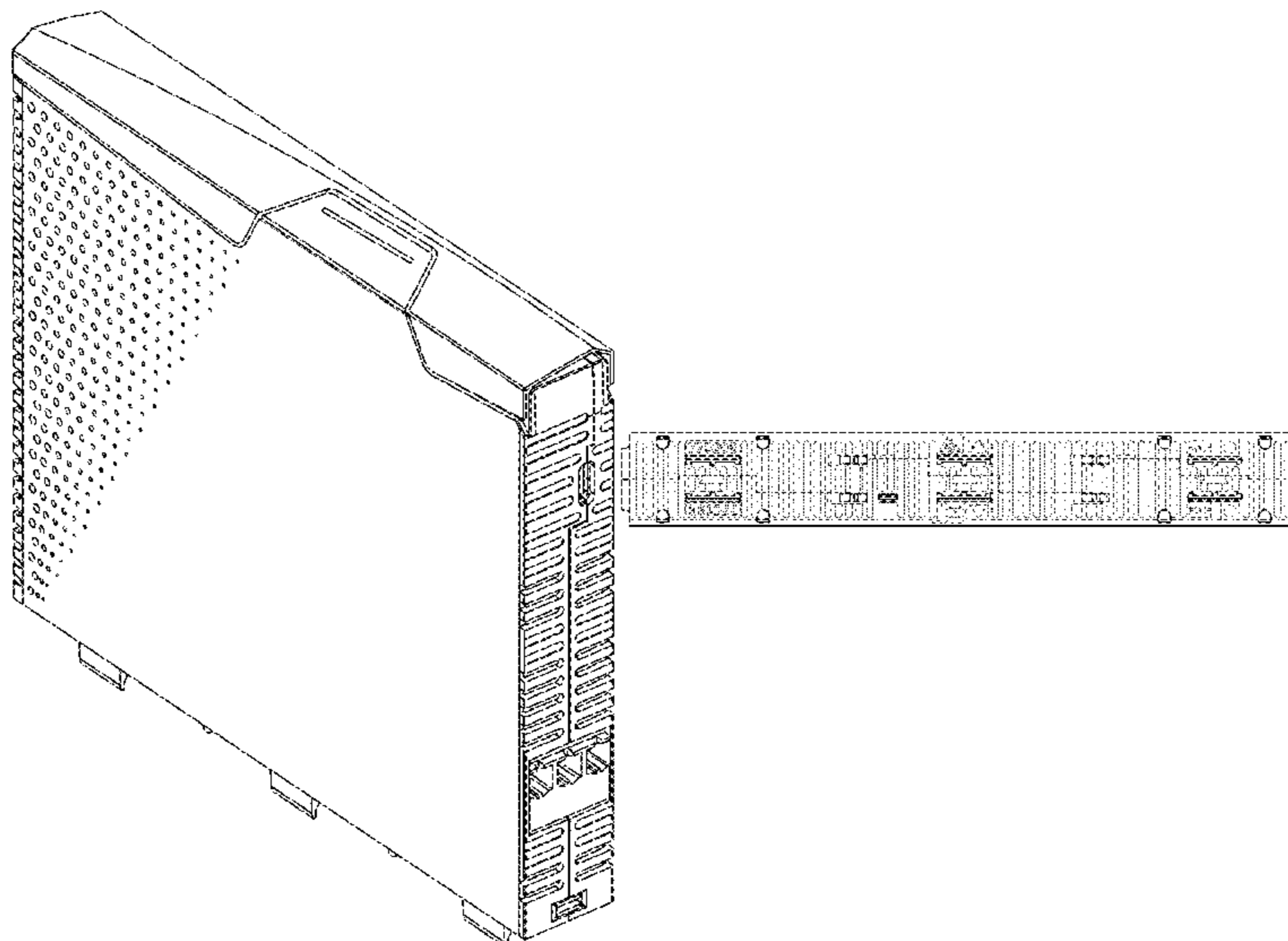
The ornamental design for an electronic device, as shown and described.

**DESCRIPTION**

FIG. 1 illustrates a front perspective view of an electronic device showing our new design;  
FIG. 2 illustrates a front elevational view thereof;  
FIG. 3 illustrates a rear elevational view thereof;  
FIG. 4 illustrates a right side elevational view thereof;  
FIG. 5 illustrates a left side elevational view thereof;  
FIG. 6 illustrates a top plan view thereof; and,  
FIG. 7 illustrates a bottom plan view thereof.

The broken lines in the drawings illustrate portions of the electronic device that form no part of the claimed design.

**1 Claim, 7 Drawing Sheets**



(56)

**References Cited**

U.S. PATENT DOCUMENTS

2016/0029501 A1\* 1/2016 Wu ..... H04B 1/3888  
174/541

OTHER PUBLICATIONS

Motus, Date: Dec. 29, 2020, [online], [site visited Apr. 6, 2022].  
Available from internet, URL: <https://www.automation-fair.com/2020/12/29/wohner-presents-groundbreaking-motor-starters-motus-c14-based-on-c14-technology/> (Year: 2020).\*

\* cited by examiner

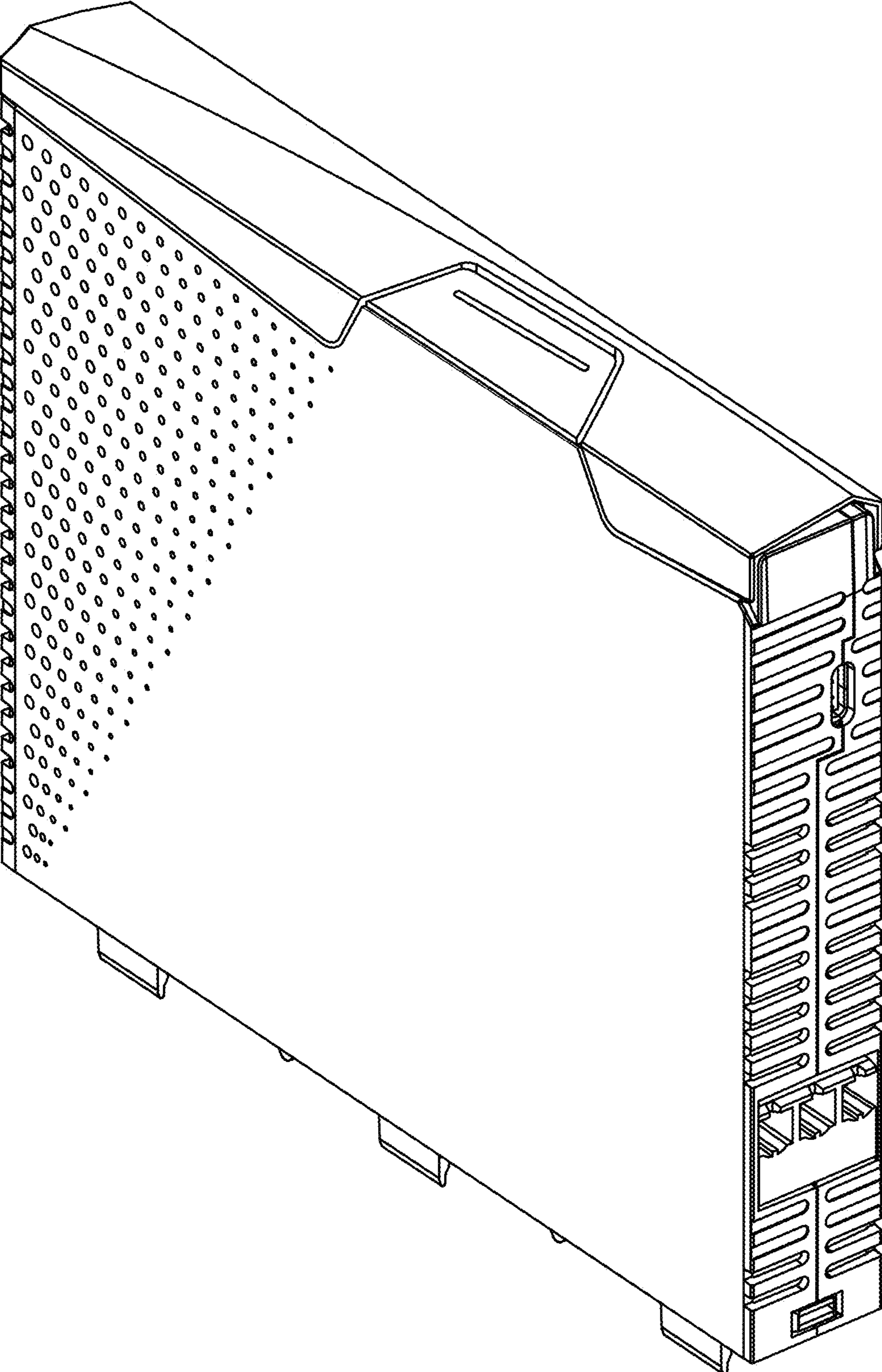


FIG. 1

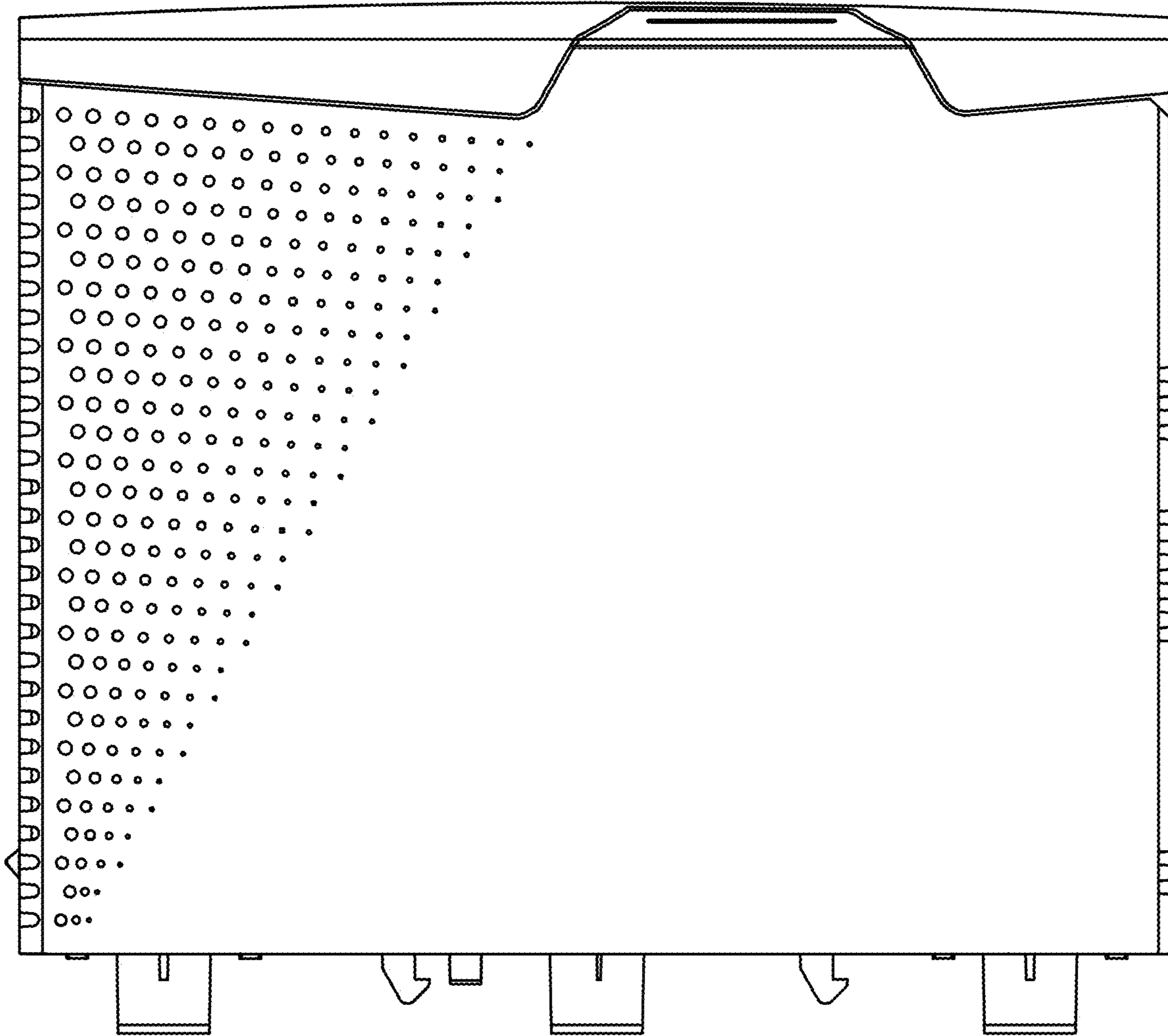


FIG. 2

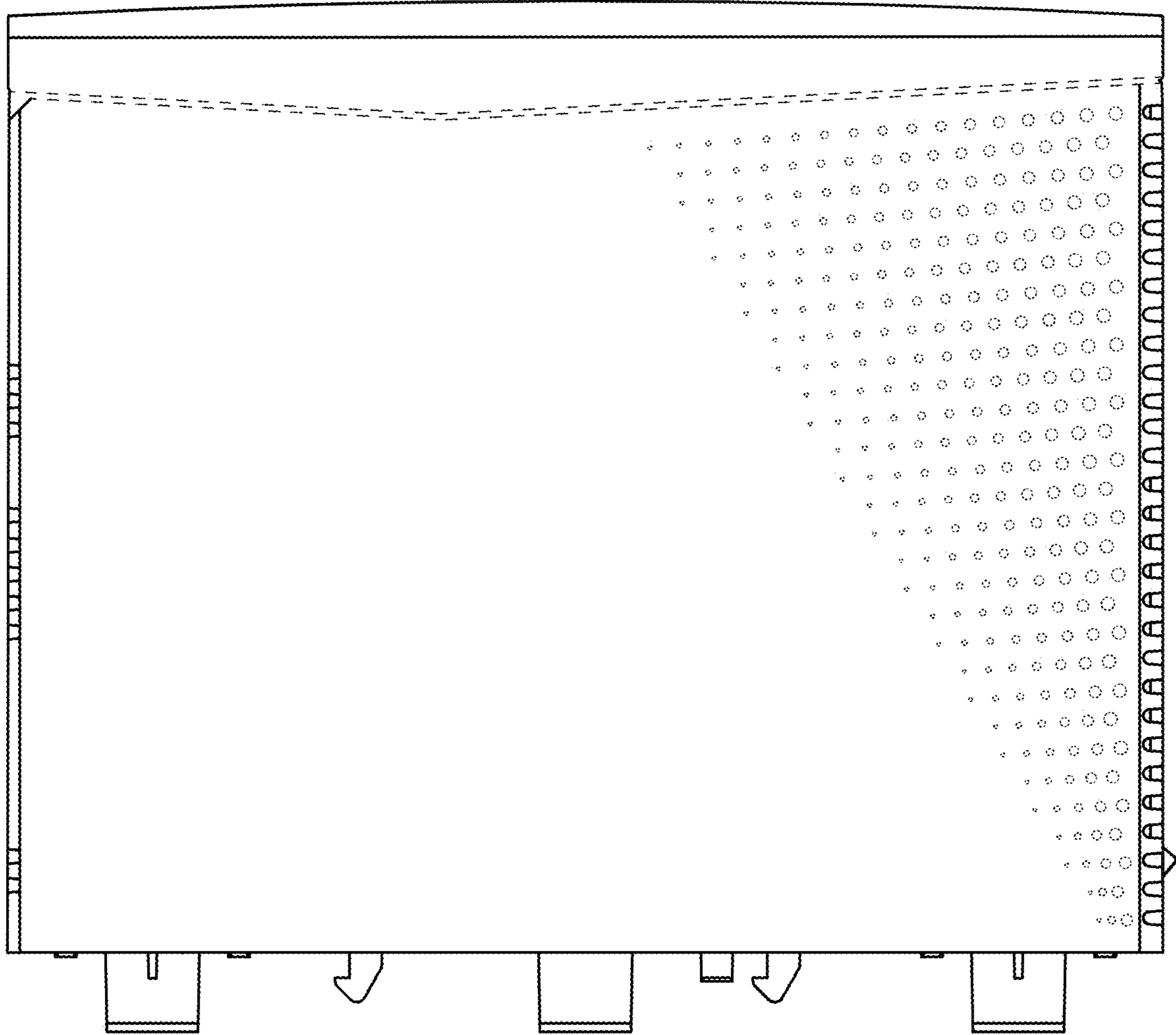


FIG. 3

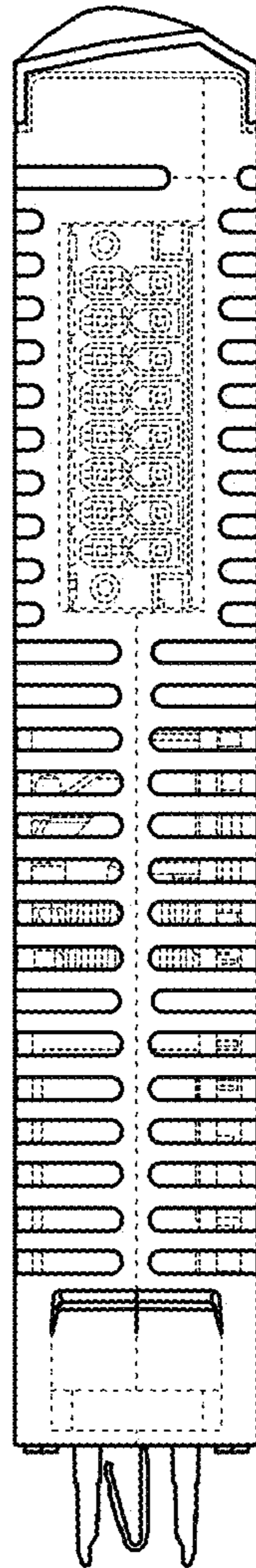


FIG. 4

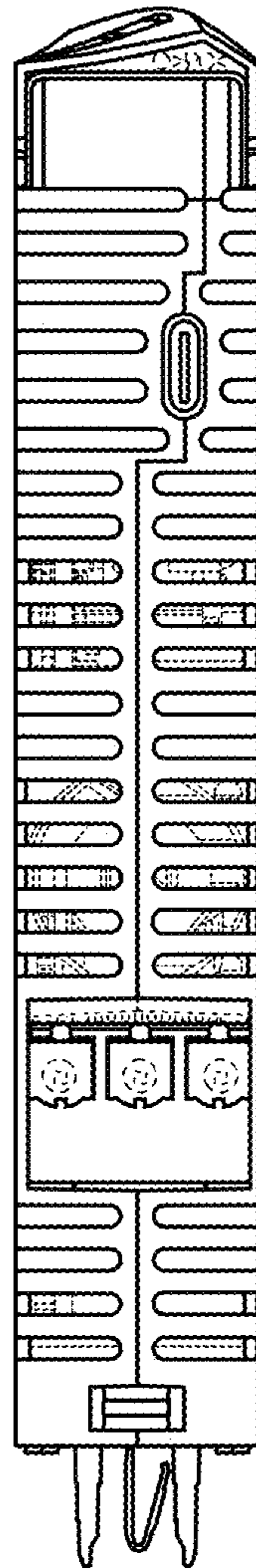


FIG. 5

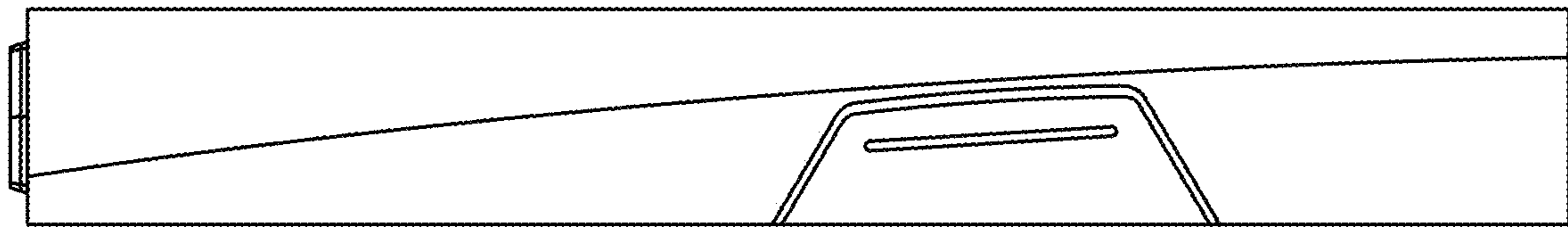


FIG. 6



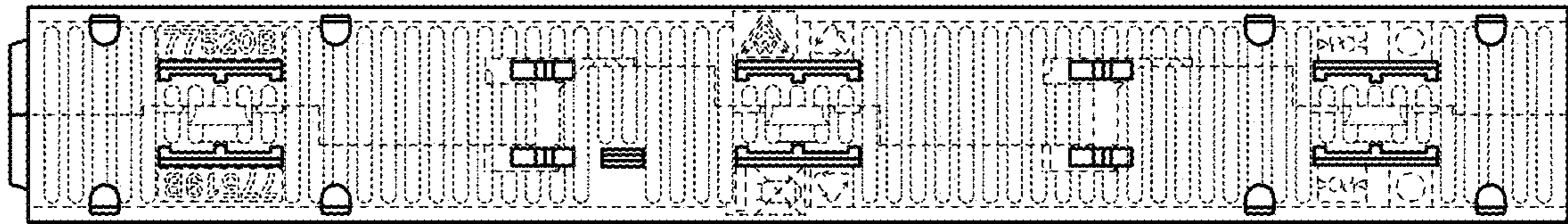


FIG. 7