



US00D979520S

(12) **United States Design Patent** (10) **Patent No.:** **US D979,520 S**  
**Press et al.** (45) **Date of Patent:** **\*\* Feb. 28, 2023**

(54) **COAXIAL CONNECTOR**

(71) Applicant: **Atlas Scientific LLC**, Long Island City, NY (US)

(72) Inventors: **Efrem Press**, New York, NY (US); **Parmanand Shiwmgangal**, Jamaica, NY (US); **Michael Jeffrey Anderson**, Troy, MI (US)

(73) Assignee: **Atlas Scientific LLC**, Long Island City, NY (US)

(\*\*) Term: **15 Years**

(21) Appl. No.: **29/796,688**

(22) Filed: **Jun. 25, 2021**

(51) **LOC (14) Cl.** ..... **13-03**

(52) **U.S. Cl.**  
USPC ..... **D13/151**

(58) **Field of Classification Search**

USPC ..... D13/154, 146, 147, 123, 133, D13/137.1-139.8, 110, 159, 184, 199, D13/112, 101, 113-116, 122, 152, 156, D13/151; D8/354, 356  
CPC .. H01R 2103/00; H01R 24/542; H01R 43/22; H01R 24/42; H01R 13/622; H01R 9/05; H01R 9/0521; H01R 13/5205; H01R 9/0518; H01R 24/40; H01R 9/053

See application file for complete search history.

(56) **References Cited**

U.S. PATENT DOCUMENTS

D259,636 S \* 6/1981 Coppel ..... D13/151  
D310,064 S \* 8/1990 Cheng ..... D13/165  
D355,641 S \* 2/1995 Down ..... D13/151  
D371,342 S \* 7/1996 Lundback ..... D13/151  
D446,442 S \* 8/2001 Simpson ..... D8/354  
6,491,546 B1 \* 12/2002 Perry ..... H01R 24/542  
439/578  
D475,975 S \* 6/2003 Fox ..... D13/151  
D476,957 S \* 7/2003 Chudoba ..... D13/151

D495,661 S \* 9/2004 Chawgo ..... D13/151  
D551,173 S \* 9/2007 Rodrigues ..... D13/154  
D569,809 S \* 5/2008 Montena ..... D13/151  
D584,235 S \* 1/2009 Montena ..... D13/133  
D593,947 S \* 6/2009 Wang ..... D13/133  
D624,023 S \* 9/2010 Rodrigues ..... D13/154  
8,029,316 B2 \* 10/2011 Snyder ..... H01R 13/622  
439/578  
D704,138 S \* 5/2014 Popper ..... D13/133

(Continued)

FOREIGN PATENT DOCUMENTS

CN 300846229 \* 11/2008  
CN 300846230 \* 11/2008

(Continued)

OTHER PUBLICATIONS

Amazon; "DHT Electronics 2 pcs RF coaxial Coax Adapter SMA Male to BNC Female goldplated"; downloaded from Internet on Apr. 6, 2022; [https://www.amazon.com/DHT-Electronics-coaxial-adapter-goldplated/dp/B00CVQL14A/ref=sr\\_1\\_13?keywords=bnc+to+sma+adapter&link\\_code=qs&qid=1647465185&sourceid=Mozillasearch&sr=8-13](https://www.amazon.com/DHT-Electronics-coaxial-adapter-goldplated/dp/B00CVQL14A/ref=sr_1_13?keywords=bnc+to+sma+adapter&link_code=qs&qid=1647465185&sourceid=Mozillasearch&sr=8-13).

*Primary Examiner* — Bridget L Eland

(74) *Attorney, Agent, or Firm* — St Onge Steward Johnston and Reens LLC

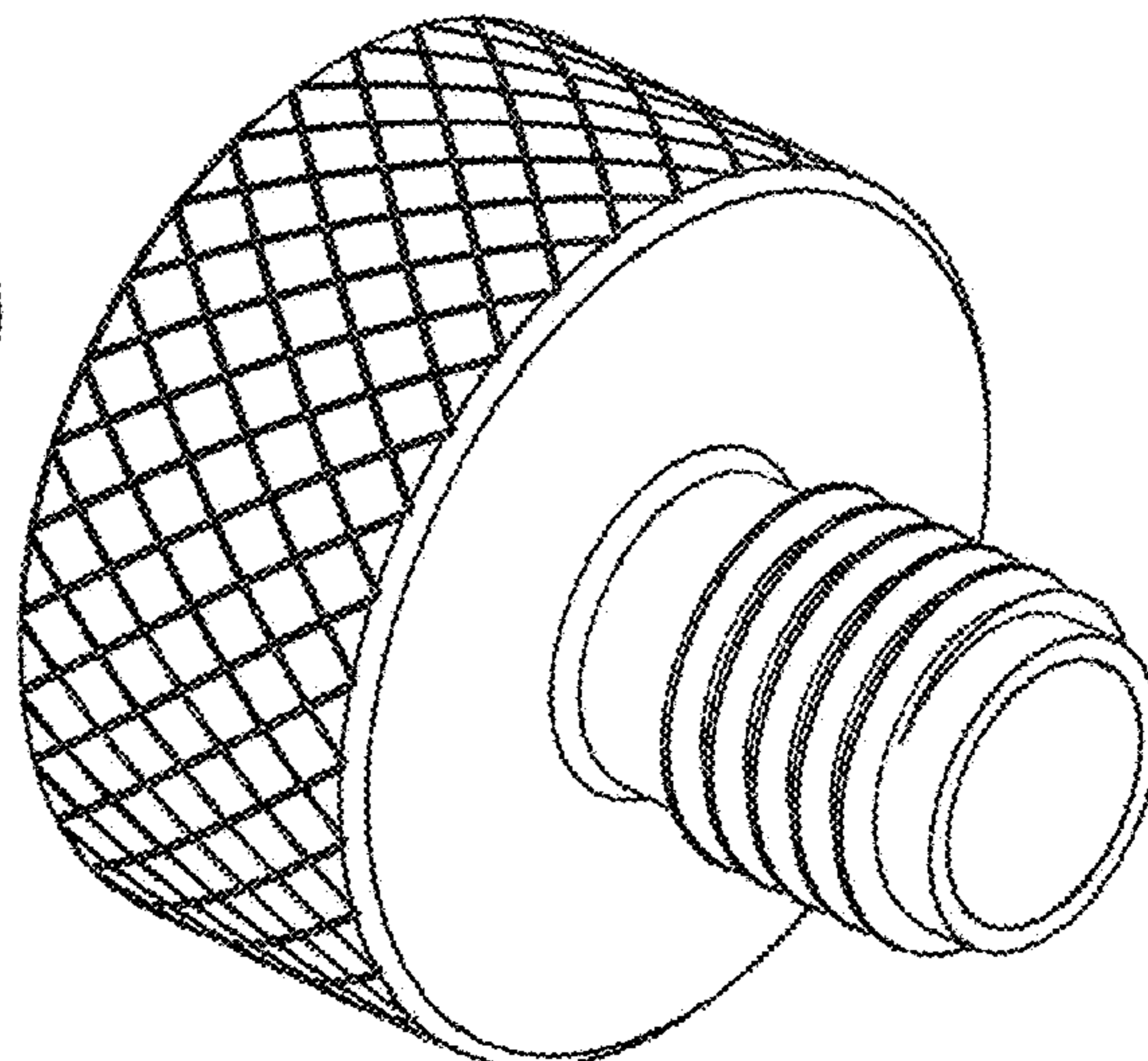
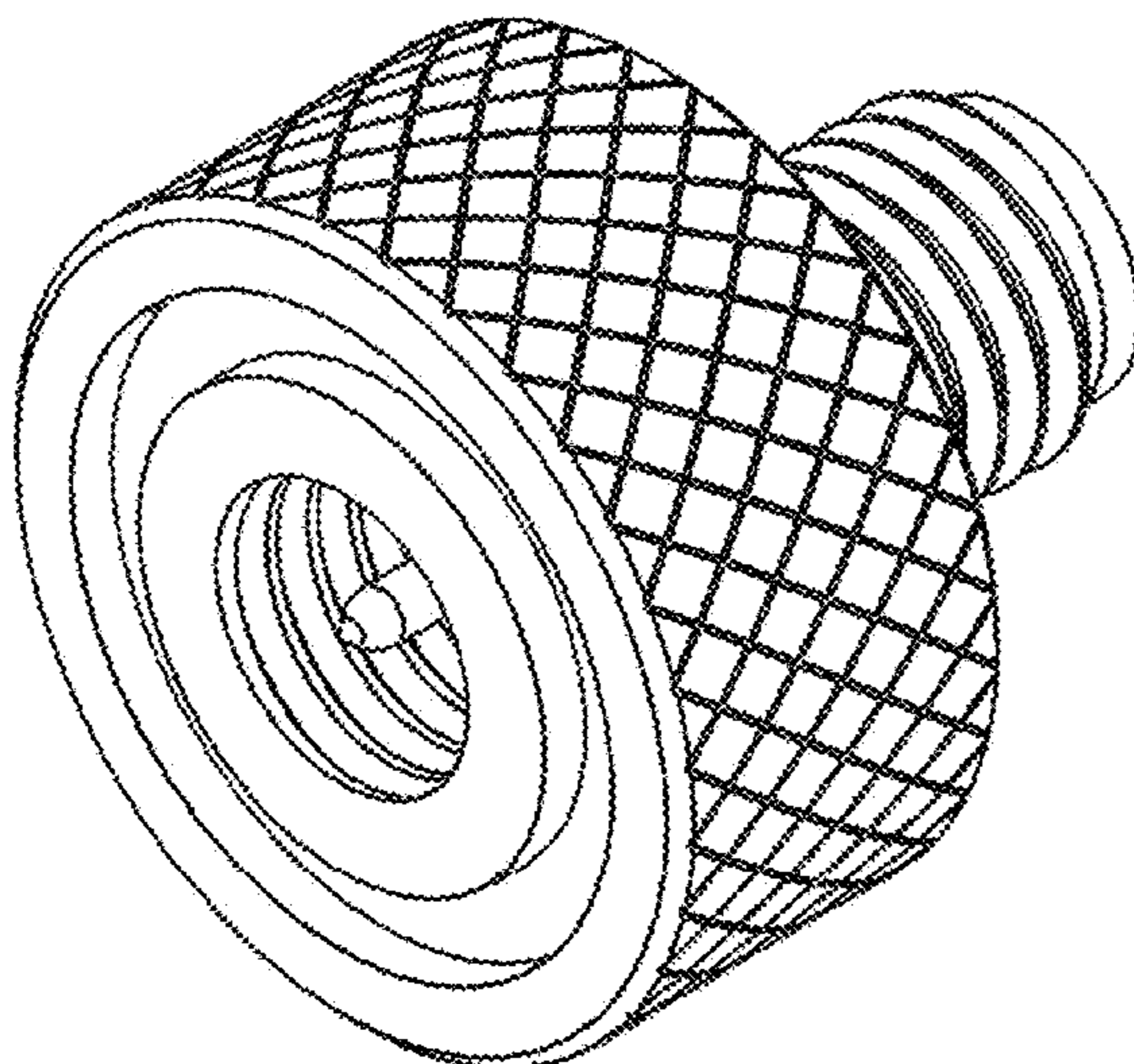
(57) **CLAIM**

The ornamental design for a coaxial connector, as shown and described.

**DESCRIPTION**

FIG. 1 is a front, top and left side isometric view of a coaxial connector in accordance with the new design; FIG. 2 is a rear, top, and left side isometric view thereof; FIG. 3 is a front elevation view thereof; FIG. 4 is a rear elevation view thereof; FIG. 5 is a left side elevation view thereof; and, FIG. 6 is a left side and top elevation view thereof.

**1 Claim, 6 Drawing Sheets**



(56)

**References Cited**

U.S. PATENT DOCUMENTS

D874,245 S \* 2/2020 Whited ..... D8/397  
D890,102 S \* 7/2020 Messadek ..... D13/146  
D941,986 S \* 1/2022 Cran ..... D24/106  
D953,992 S \* 6/2022 Dan ..... D13/133  
2013/0125716 A1\* 5/2013 Maury ..... H01R 24/40  
81/472  
2014/0220805 A1\* 8/2014 Haberek ..... H01R 9/0521  
439/277  
2017/0194685 A1\* 7/2017 Alkan ..... H01P 1/202  
2017/0271825 A1\* 9/2017 Roe ..... H01R 13/629

FOREIGN PATENT DOCUMENTS

CN 300861808 \* 12/2008  
CN 301693702 \* 10/2011  
CN 304664558 \* 6/2018 ..... 13/3  
CN 304664564 \* 6/2018 ..... 13/3

\* cited by examiner

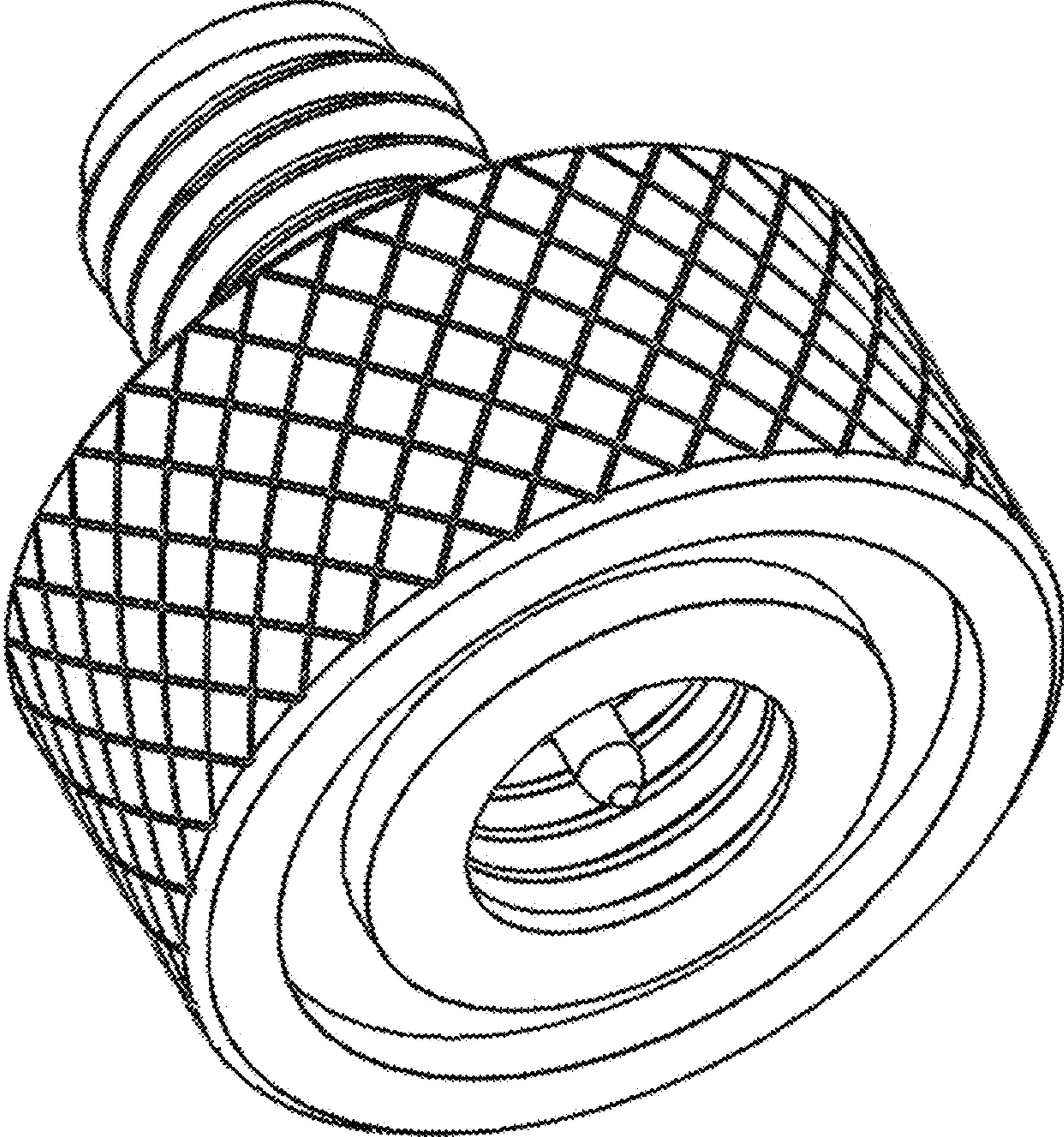


FIG. 1

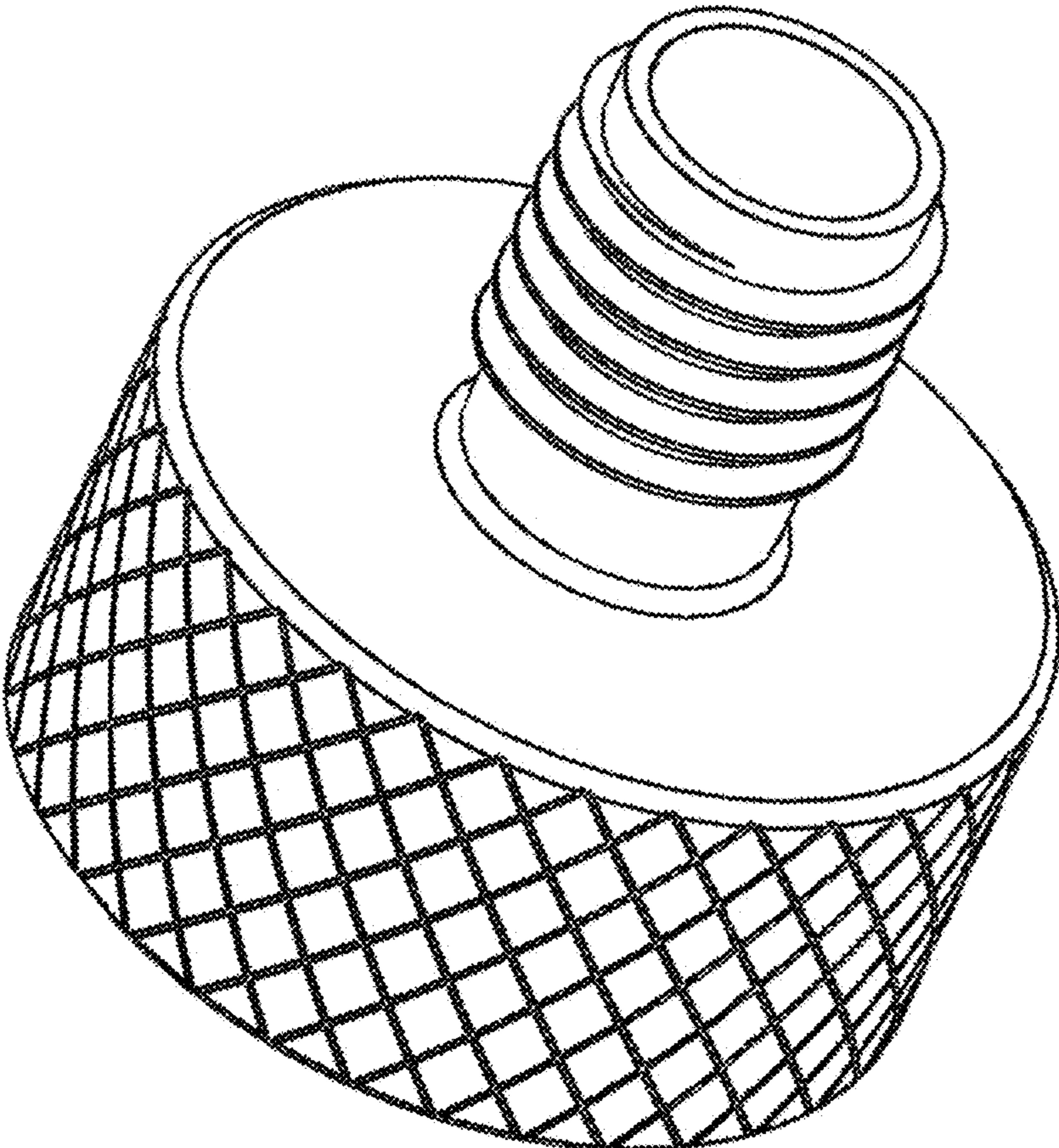


FIG. 2

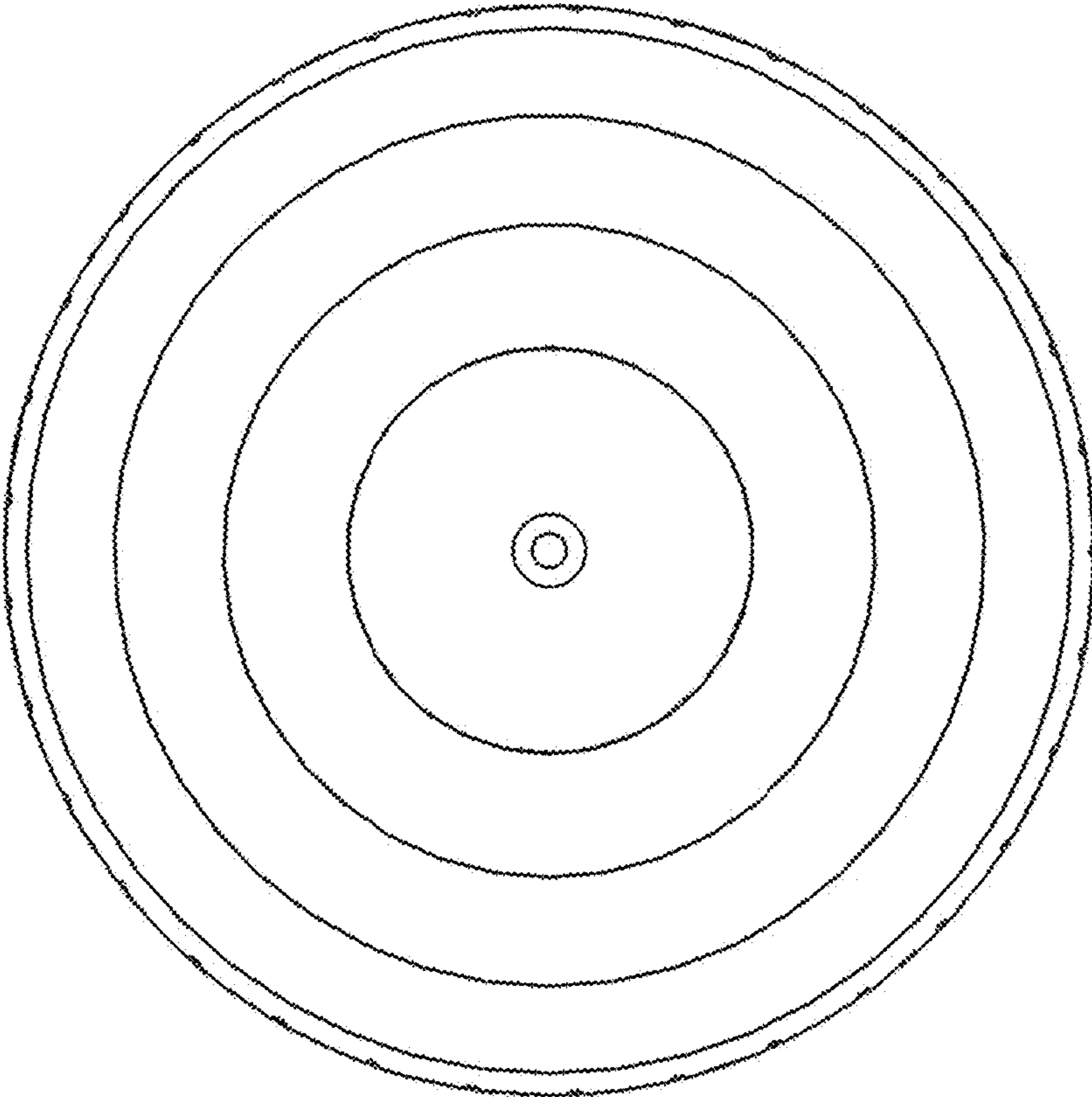


FIG. 3

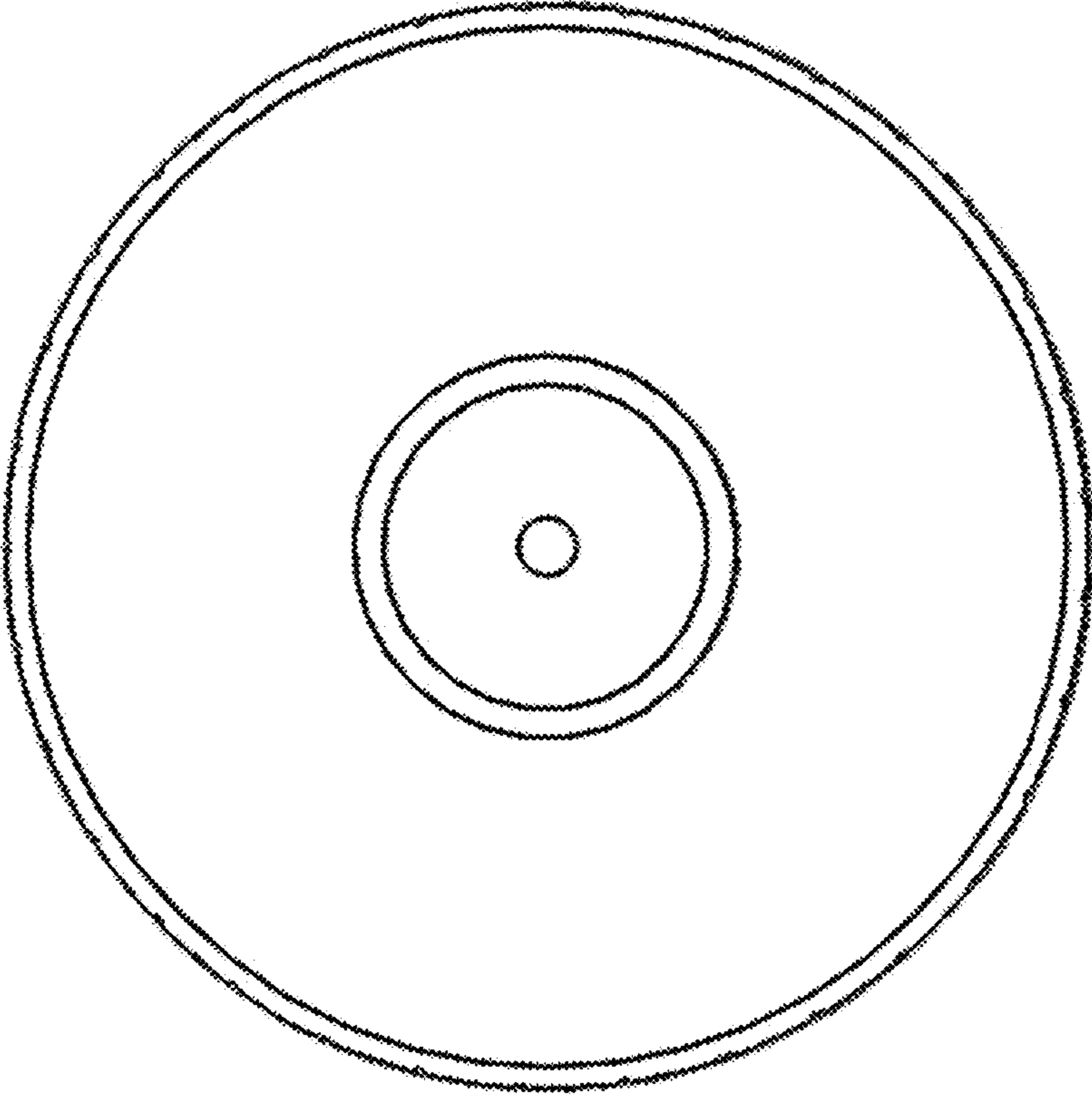


FIG. 4

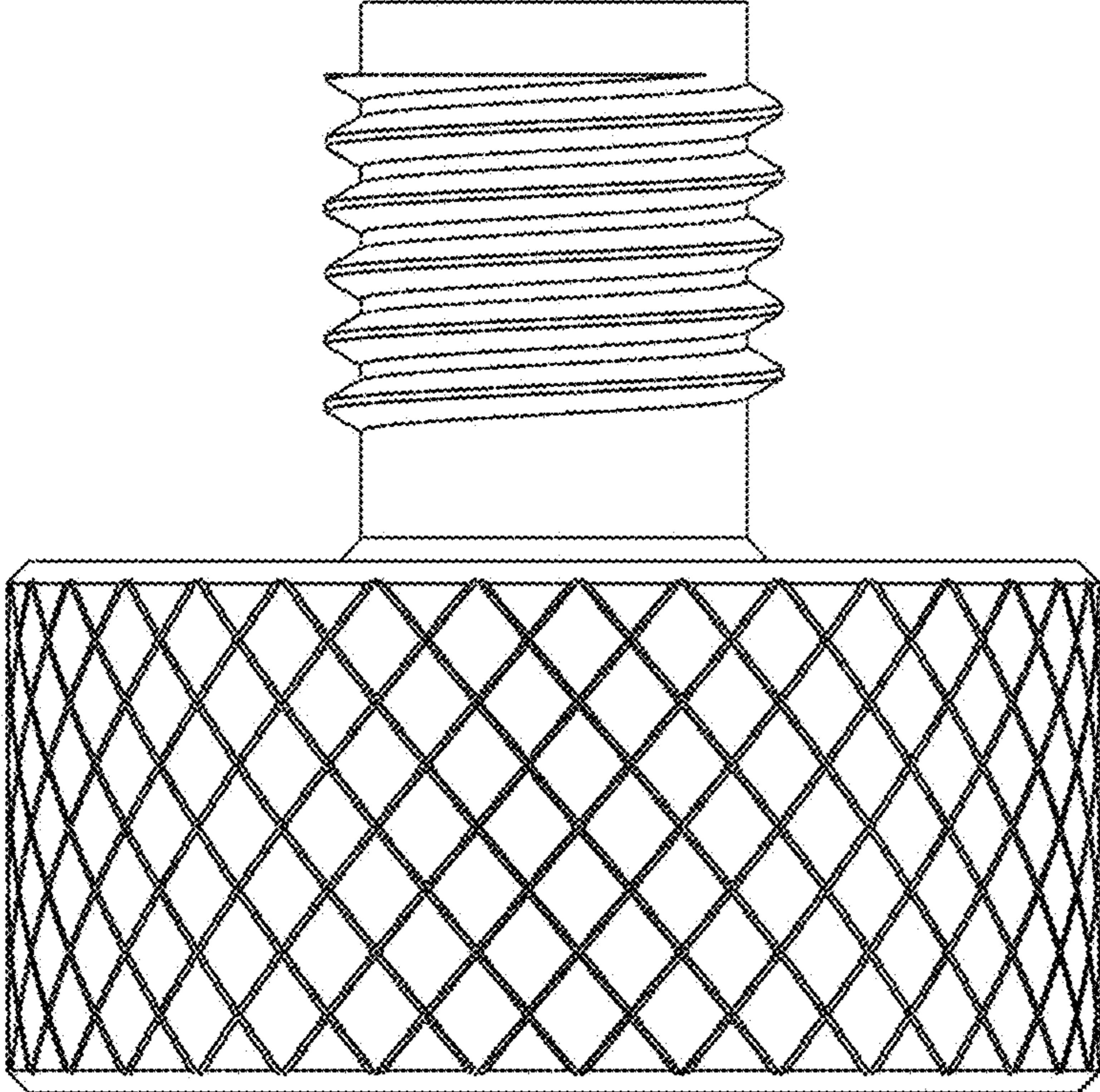


FIG. 5

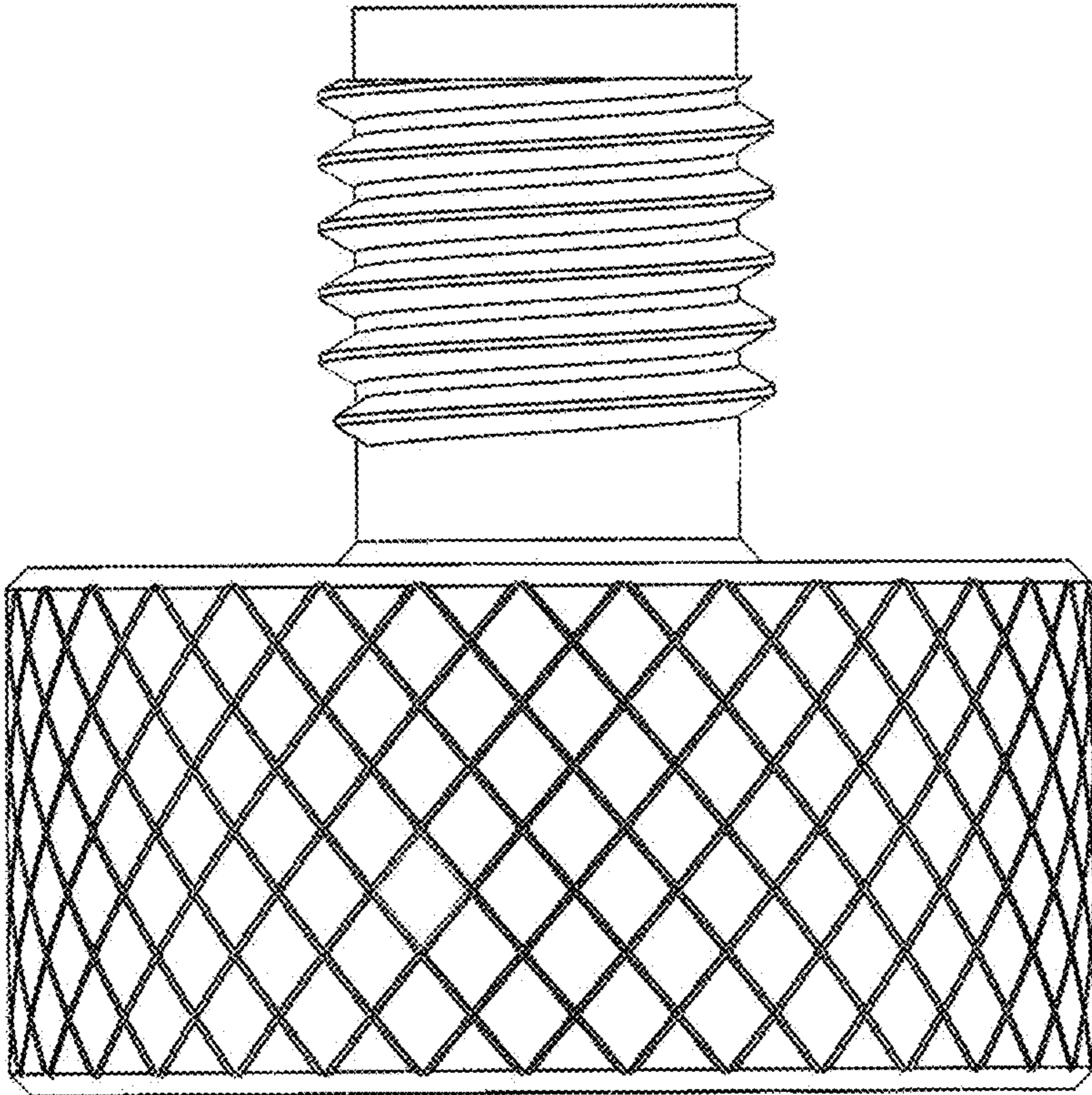


FIG. 6