



US00D979519S

(12) **United States Design Patent**
Myung

(10) **Patent No.:** **US D979,519 S**

(45) **Date of Patent:** **** Feb. 28, 2023**

(54) **PORT FOR COMPUTER**

(71) Applicant: **BRONINE CO., LTD.**, Seoul (KR)

(72) Inventor: **Sun Hwi Myung**, Seoul (KR)

(73) Assignee: **BRONINE CO., LTD.**, Seoul (KR)

(**) Term: **15 Years**

(21) Appl. No.: **35/513,514**

(22) Filed: **Jul. 30, 2021**

(80) **Hague Agreement Data**

Int. Filing Date: **Jul. 30, 2021**

Int. Reg. No.: **DM/216154**

Int. Reg. Date: **Jul. 30, 2021**

Int. Reg. Pub. Date: **Feb. 4, 2022**

(30) **Foreign Application Priority Data**

Feb. 8, 2021 (KR) 30-2021-0006595

(51) **LOC (14) Cl.** **13-03**

(52) **U.S. Cl.**
USPC **D13/147**

(58) **Field of Classification Search**
USPC D13/154, 146, 147, 123, 133,
D13/137.1-139.8, 110, 159, 184, 199,
D13/112, 101, 113-116, 122, 152, 156;
D8/354, 356; D14/433

CPC H02J 7/0048; H02J 7/00047; H02J 7/0045;
H02J 7/0013

See application file for complete search history.

(56) **References Cited**

U.S. PATENT DOCUMENTS

D366,242 S * 1/1996 Goto D13/147
D372,460 S * 8/1996 Aramaki D13/147
D373,192 S * 8/1996 Murphy D24/129
7,311,526 B2 * 12/2007 Rohrbach G06F 1/18
439/39

D563,880 S * 3/2008 Grant D13/147
D563,883 S * 3/2008 Dever D13/147
D563,885 S * 3/2008 Dever D13/147
D563,887 S * 3/2008 Dever D13/147
D563,890 S * 3/2008 Dever D13/147
D566,656 S * 4/2008 Dever D13/147
D579,880 S * 11/2008 Birmingham D13/133
D684,538 S * 6/2013 Akana D13/147
D703,616 S * 4/2014 Akana D13/147
D721,331 S * 1/2015 Andre D13/147
D733,652 S * 7/2015 Wenji D13/123

(Continued)

FOREIGN PATENT DOCUMENTS

KR 301146086.0000 * 1/2022
KR 301146087.0000 * 1/2022

OTHER PUBLICATIONS

YouTube Internet Publication by Bronine, bronine Volkit, Publication Date: Oct. 14, 2020, [online], [retrieved on Nov. 1, 2022]. Retrieved from Internet, <URL: <https://www.youtube.com/watch?v=UIPzuGBIhcA>>.*

(Continued)

Primary Examiner — Bridget L Eland

(74) *Attorney, Agent, or Firm* — Revolution IP, PLLC

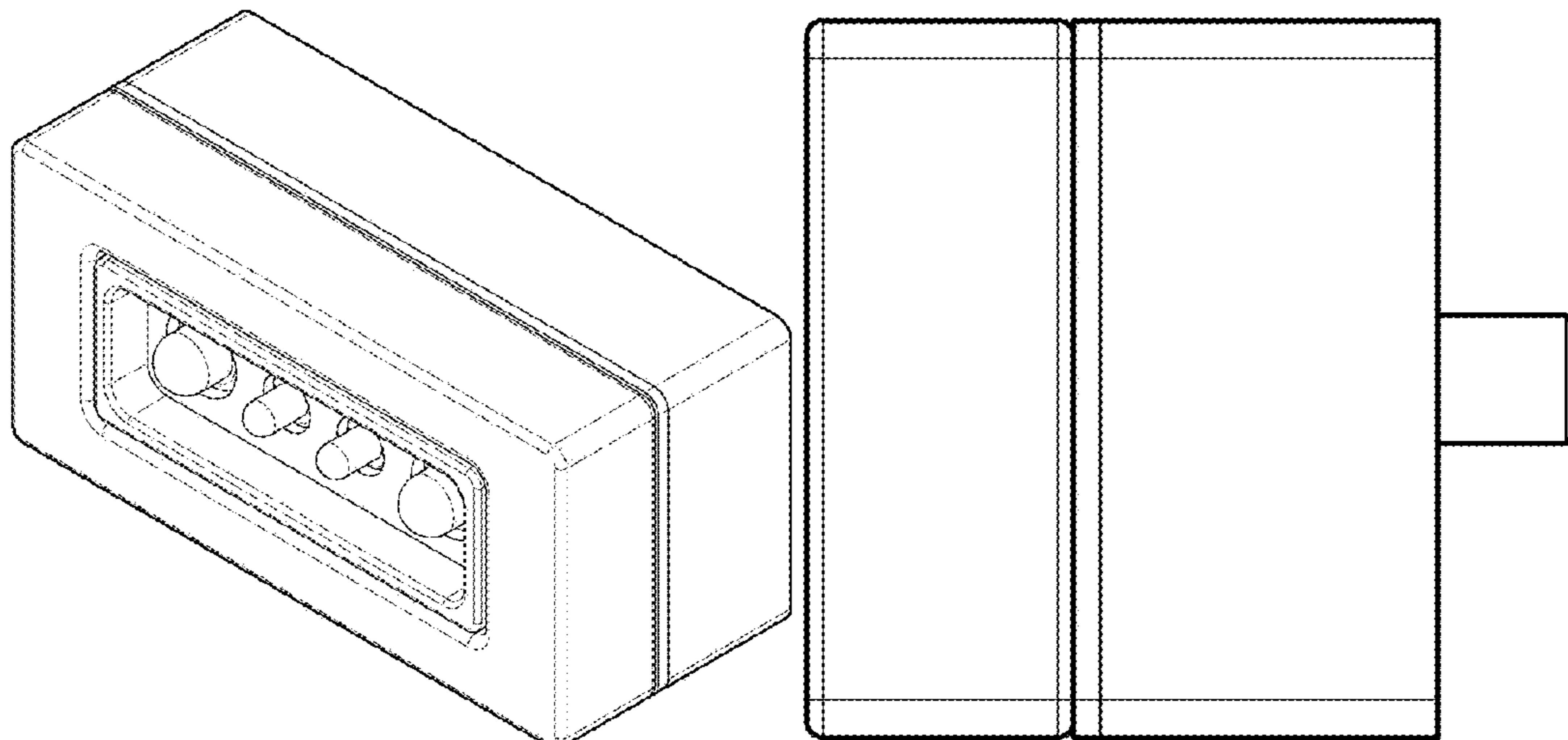
(57) **CLAIM**

The ornamental design for a port for computer, as shown and described.

DESCRIPTION

1. Port for computer
FIG. 1.1 is a perspective view of a port for computer showing my new design;
FIG. 1.2 is a front view thereof;
FIG. 1.3 is a back view thereof;
FIG. 1.4 is a top plan view thereof;
FIG. 1.5 is a bottom plan view thereof;
FIG. 1.6 is a left side view thereof; and
FIG. 1.7 is a right side view thereof.

1 Claim, 7 Drawing Sheets



(56)

References Cited

U.S. PATENT DOCUMENTS

D743,895	S	*	11/2015	Akana	D13/147
D746,291	S	*	12/2015	Solomon	D14/433
D759,597	S	*	6/2016	Andre	D13/147
D761,262	S	*	7/2016	Solomon	D14/433
D774,001	S	*	12/2016	Akana	D13/147
D797,747	S	*	9/2017	Xu	D14/433
D910,566	S	*	2/2021	Eckstein	D13/133
D910,567	S	*	2/2021	Eckstein	D13/133
D964,990	S	*	9/2022	Kim	D14/433
2008/0003841	A1	*	1/2008	Su	H01R 13/44 439/55
2021/0075237	A1	*	3/2021	Myung	H02J 7/0048

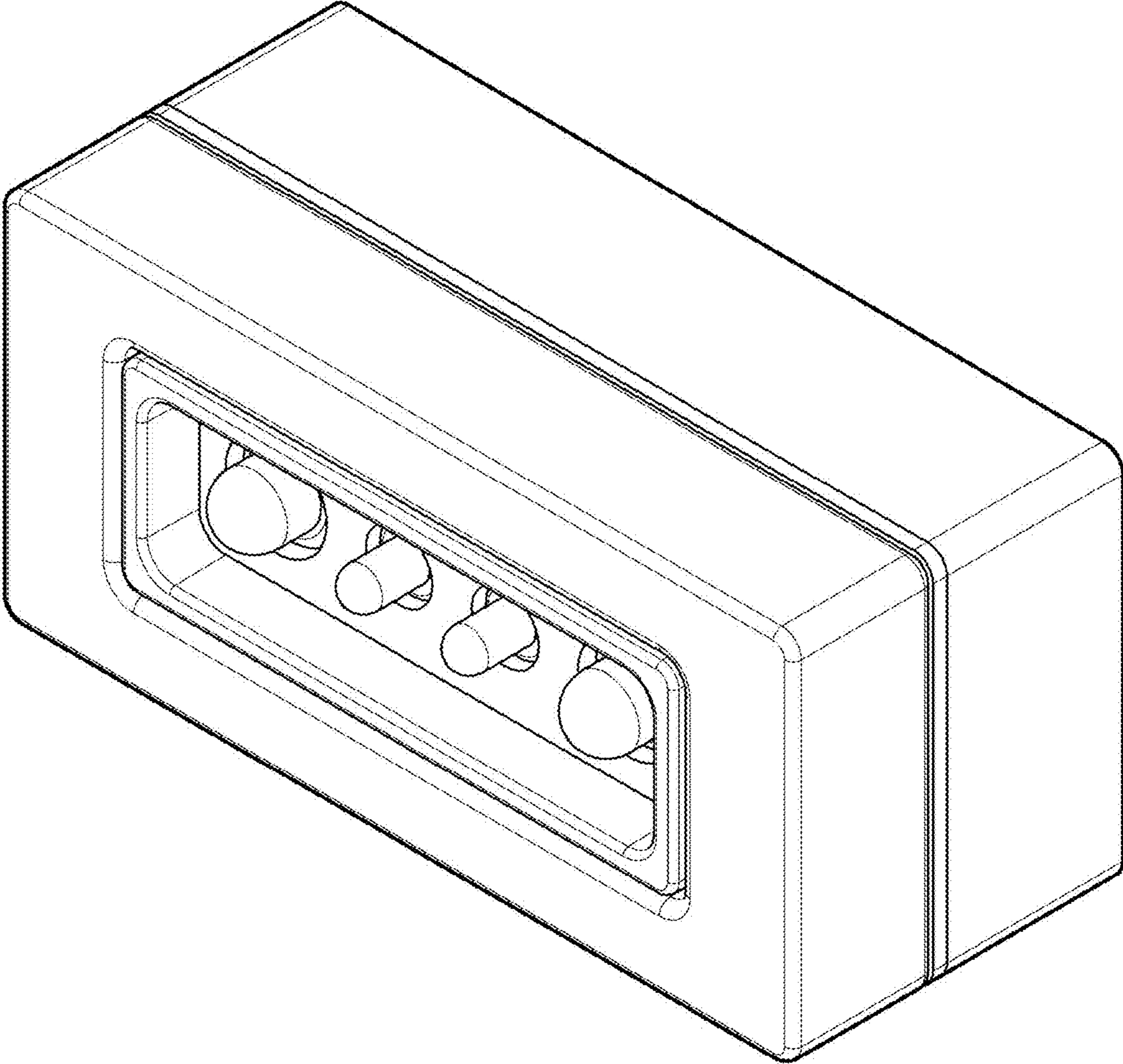
OTHER PUBLICATIONS

Bronine Mavic Mini Drone Battery Charging Kit, Date First Available: Oct. 1, 2021, [online], [retrieved on Nov. 1, 2022]. Retrieved from Internet ,<URL: <https://www.amazon.com/bronine-Battery-Charging-VOLKIT-Compatible/dp/B09HMHNT47?th=1>>.*

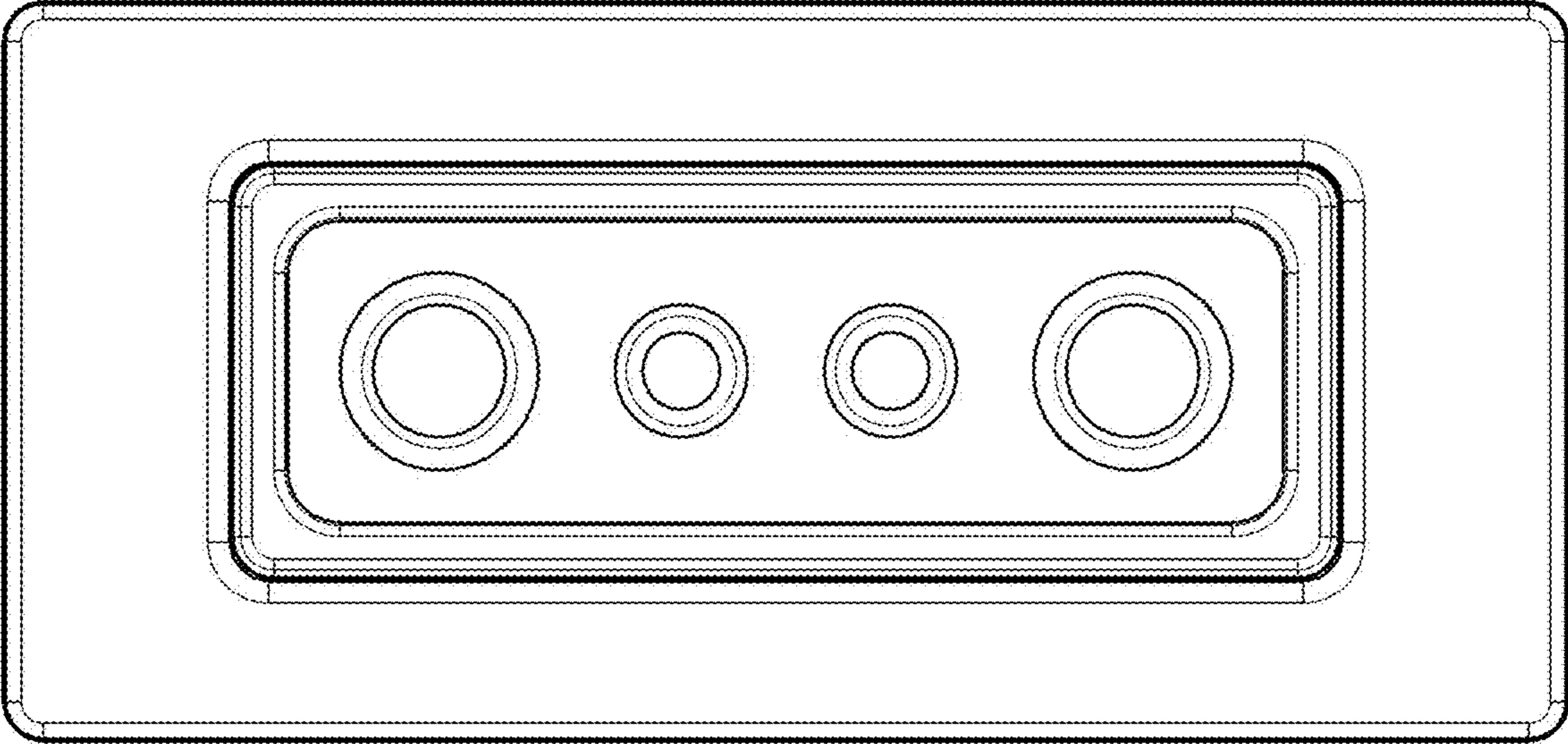
Bronine Volkit, Date First Available: Sep. 14, 2021, [online], [retrieved on Nov. 1, 2022]. Retrieved from Internet ,<URL: https://www.amazon.com/Bronine-VOLKIT-Camera-Charger-Extentsion/dp/B091TGWKP9/ref=sr_1_9?crid=3PTT84459FNQ5&keywords=bronine&qid=1667349749&qu=eyJxc2MiOilzLj15liwicXNhljoiMy42OSIsInFzcCI6IjMuNDYifQ%3D%3D&sprefix=bronine%2Caps%2C117&sr=8-9>.*

* cited by examiner

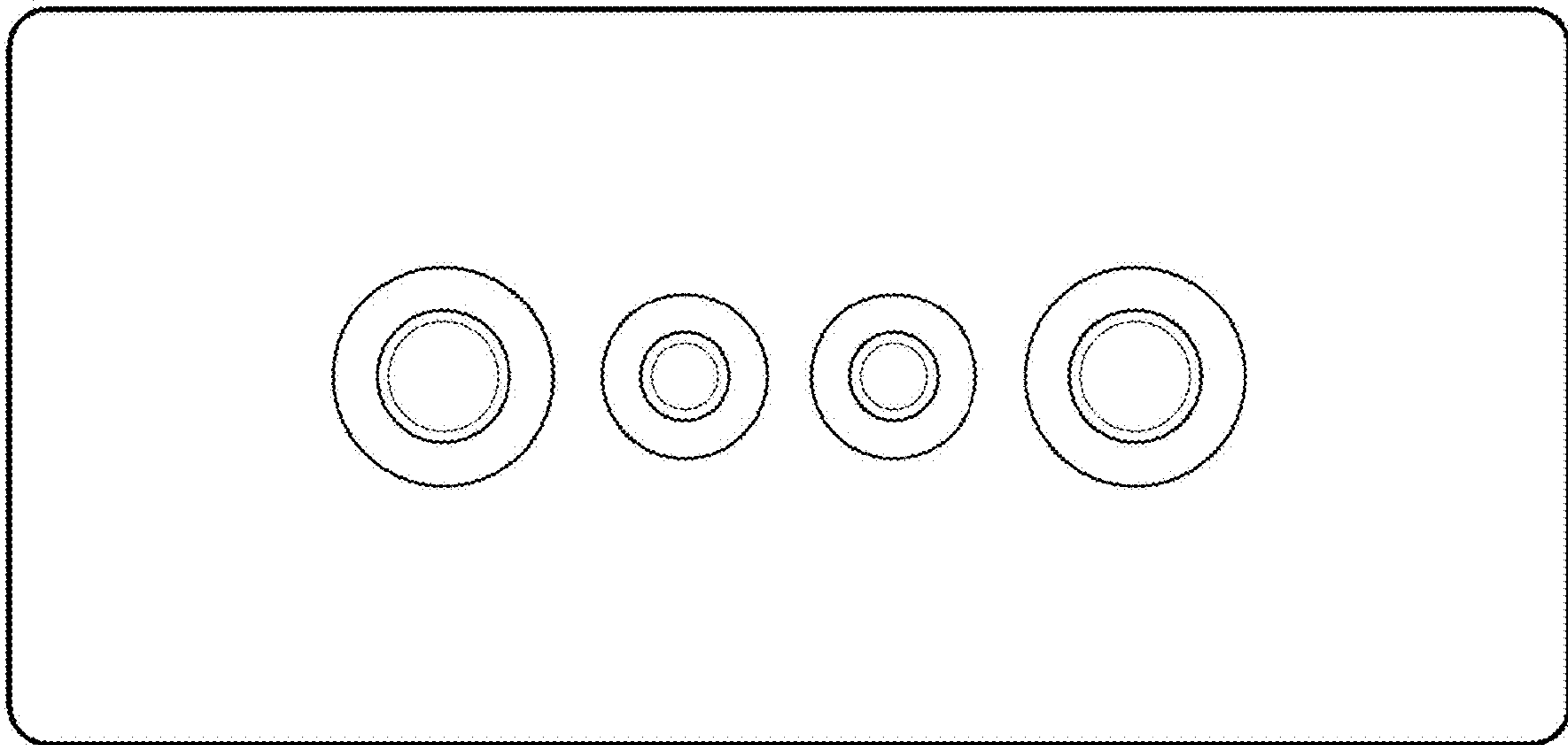
1.1



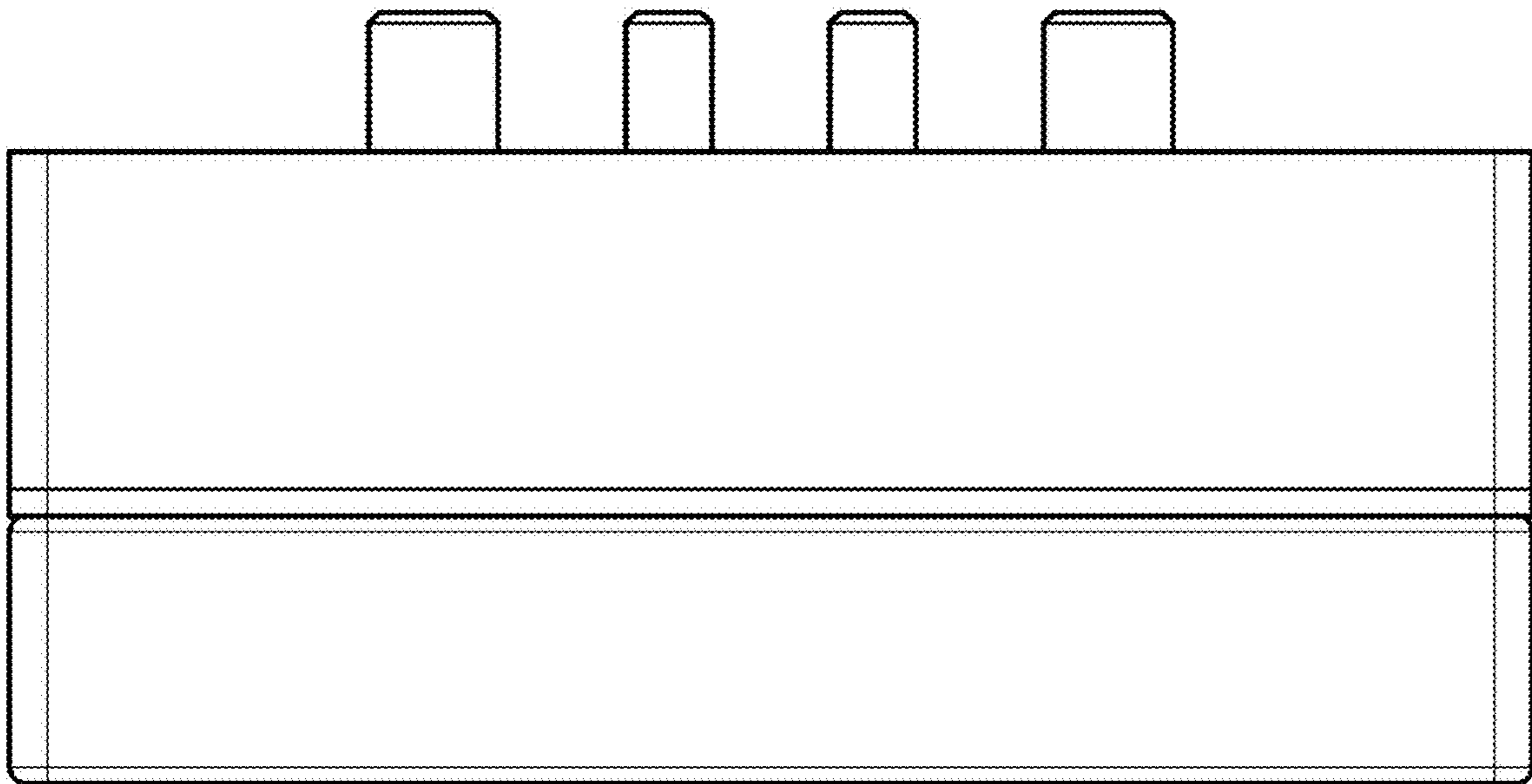
1.2



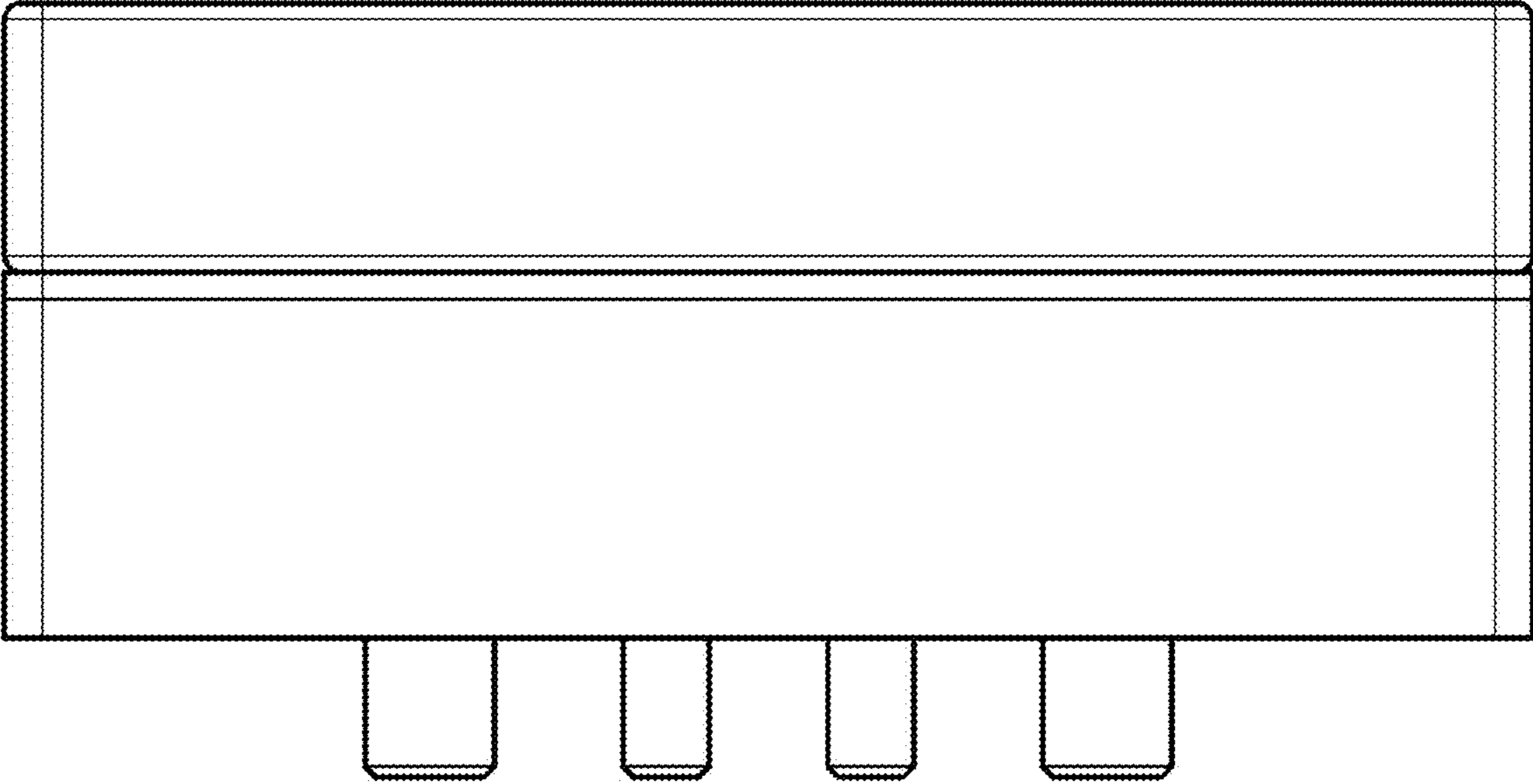
1.3



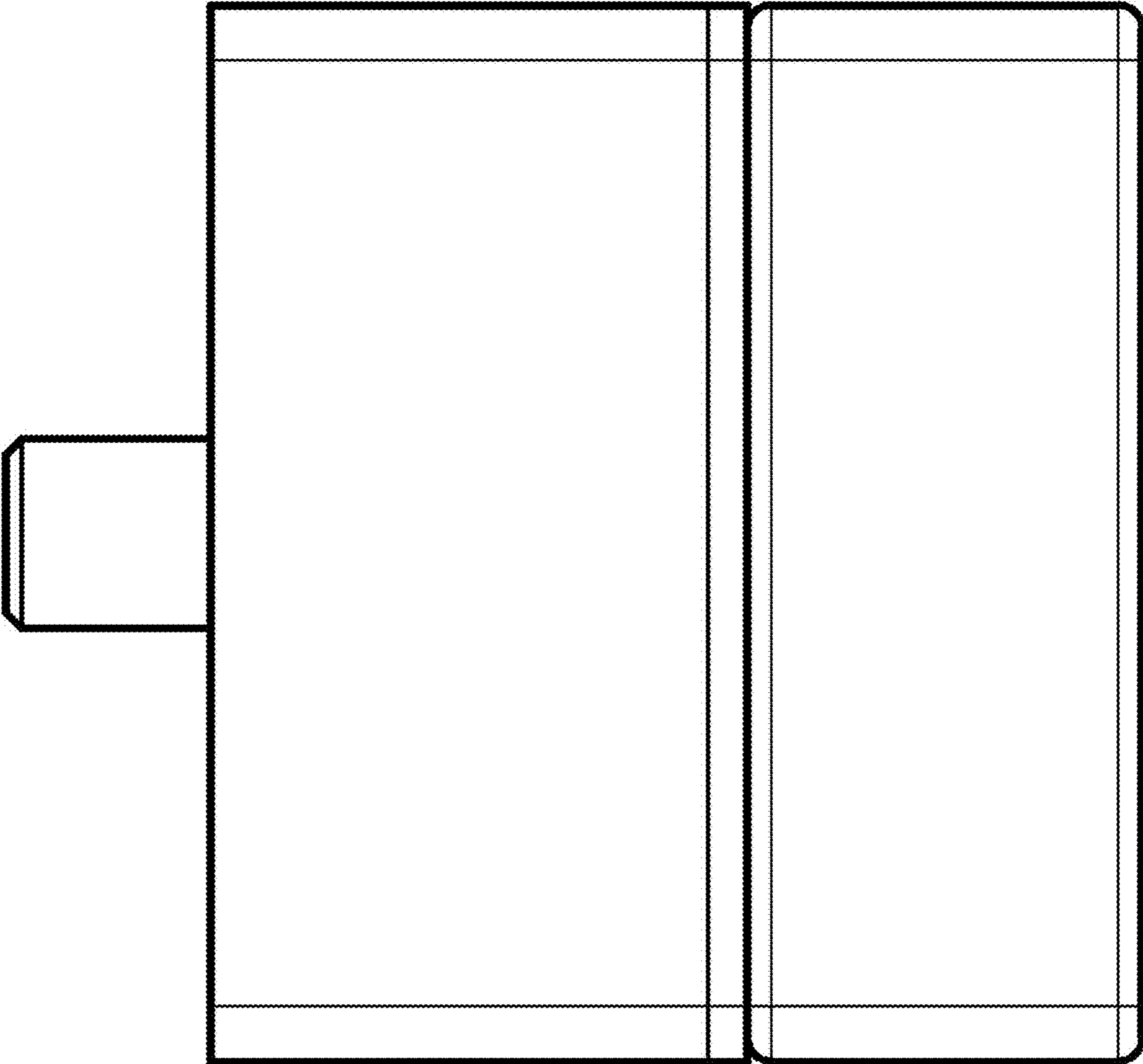
1.4



1.5



1.6



1.7

