



US00D979518S

(12) **United States Design Patent** (10) **Patent No.:** **US D979,518 S**
Gillespie et al. (45) **Date of Patent:** **** Feb. 28, 2023**

(54) **ELECTRICAL HOUSING**
(71) Applicant: **Phoenix Contact Development and Manufacturing, Inc.**, Middletown, PA (US)

D645,405 S 9/2011 Huss, Jr. et al.
D649,119 S 11/2011 Huss, Jr. et al.
D660,260 S 5/2012 Brink et al.
D669,855 S 10/2012 Correll et al.
D673,122 S 12/2012 Huss, Jr. et al.
(Continued)

(72) Inventors: **Brian John Gillespie**, Hummelstown, PA (US); **Scott Michael Frye**, Palmyra, PA (US)

FOREIGN PATENT DOCUMENTS

RU 00090680 * 5/2013

(73) Assignee: **Phoenix Contact Development and Manufacturing, Inc.**, Middletown, PA (US)

Primary Examiner — Bridget L Eland

(74) *Attorney, Agent, or Firm* — Hooker & Habib, P.C.

(**) Term: **15 Years**

(57) **CLAIM**

The ornamental design for an electrical housing, as shown and described.

(21) Appl. No.: **29/777,422**

DESCRIPTION

(22) Filed: **Apr. 6, 2021**

(51) **LOC (14) Cl.** **13-03**

(52) **U.S. Cl.**
USPC **D13/147**

(58) **Field of Classification Search**
USPC D13/154, 146, 147, 123, 133, D13/137.1–139.8, 110, 159, 184, 199
CPC H05K 1/117; H05K 2201/09409; H05K 1/141; H05K 1/0245; H01R 24/62; H01R 13/6658; H01R 13/6471; H01R 12/57
See application file for complete search history.

FIG. 1 is a front-top-right perspective view of an electrical housing showing our new design.

FIG. 2 is a rear-top-right perspective view of the electrical housing shown in FIG. 1.

FIG. 3 is a front view of the electrical housing shown in FIG. 1.

FIG. 4 is a top view of the electrical housing shown in FIG. 1.

FIG. 5 is a rear view of the electrical housing shown in FIG. 1.

FIG. 6 is a bottom view of the electrical housing shown in FIG. 1.

FIG. 7 is a right side view of the electrical housing shown in FIG. 1; and,

FIG. 8 is a left side view of the electrical housing shown in FIG. 1.

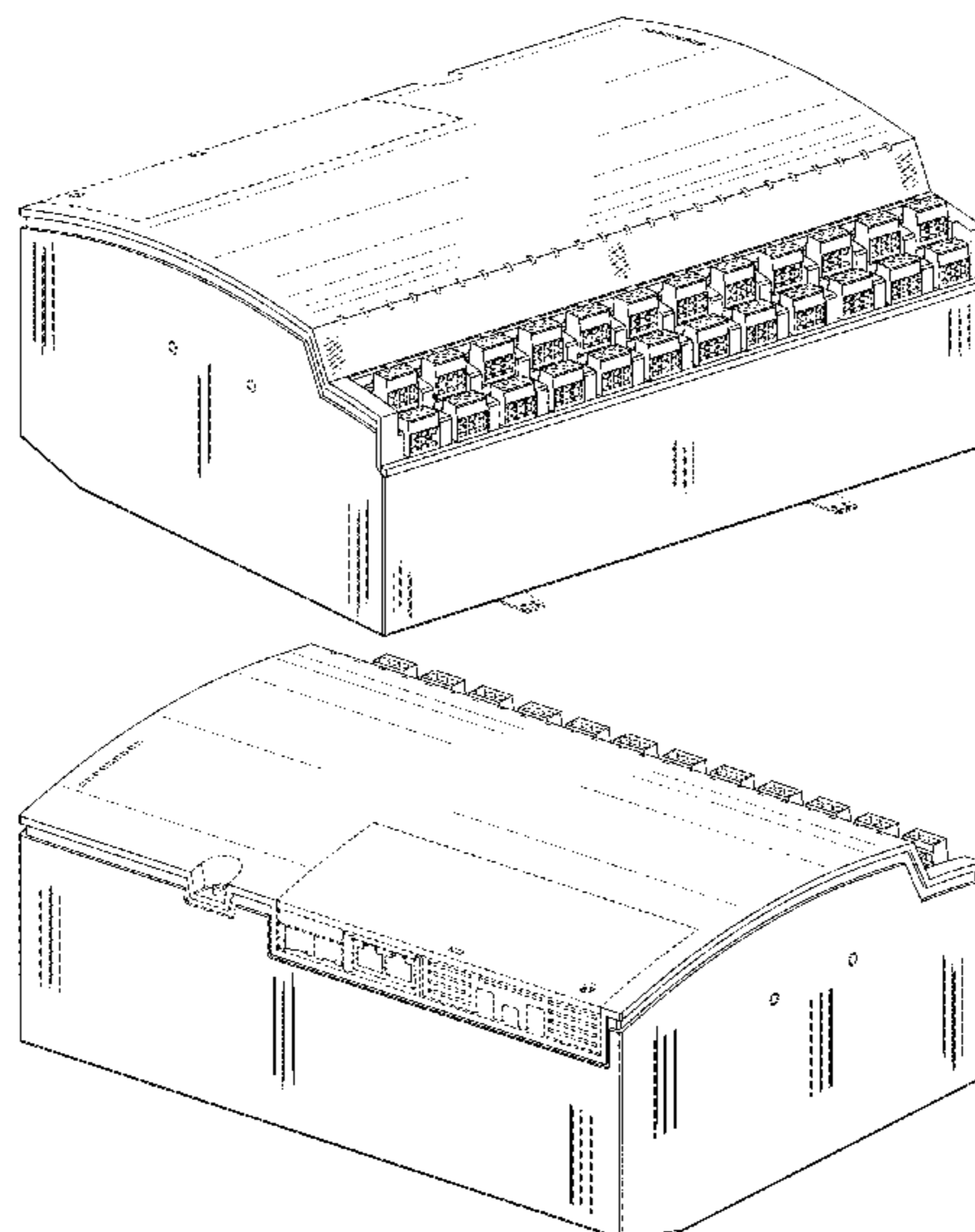
The outermost broken lines immediately adjacent to the solid line showing of the claimed design represent the bounds of the claimed design while all other broken lines are directed to environment and are for illustrative purposes only; the broken lines form no part of the claimed design.

(56) **References Cited**

U.S. PATENT DOCUMENTS

D413,863 S * 9/1999 Tennefoss D13/152
D553,564 S * 10/2007 Kuo D13/110
D569,797 S * 5/2008 Neitzel D13/123
D591,699 S 5/2009 Correll et al.
D599,310 S 9/2009 Correll et al.
D599,311 S 9/2009 Correll et al.
D599,312 S 9/2009 Correll et al.
D623,969 S * 9/2010 Neitzel D10/101
D640,207 S 6/2011 Huss, Jr. et al.
D640,208 S 6/2011 Huss, Jr. et al.

1 Claim, 8 Drawing Sheets



(56)

References Cited

U.S. PATENT DOCUMENTS

D676,813	S	2/2013	Wiest et al.	
D685,331	S	7/2013	Correll et al.	
D755,719	S *	5/2016	Hofbauer	D13/123
D772,185	S *	11/2016	Moninski	D13/184
D786,796	S	5/2017	Frye et al.	
D811,332	S *	2/2018	Siddiqui	D13/162
D821,323	S *	6/2018	Viman	D13/123
D825,460	S *	8/2018	Mueller	D13/110
D827,575	S	9/2018	Oyster	
D833,392	S	11/2018	Frye et al.	
10,164,362	B2 *	12/2018	Little	G02B 6/4269
D917,397	S	4/2021	Brink	
D919,578	S *	5/2021	Zarnescu	D13/147
2012/0040560	A1 *	2/2012	Wang	H05K 1/117 439/607.31
2018/0034211	A1 *	2/2018	Little	H01R 12/721

* cited by examiner

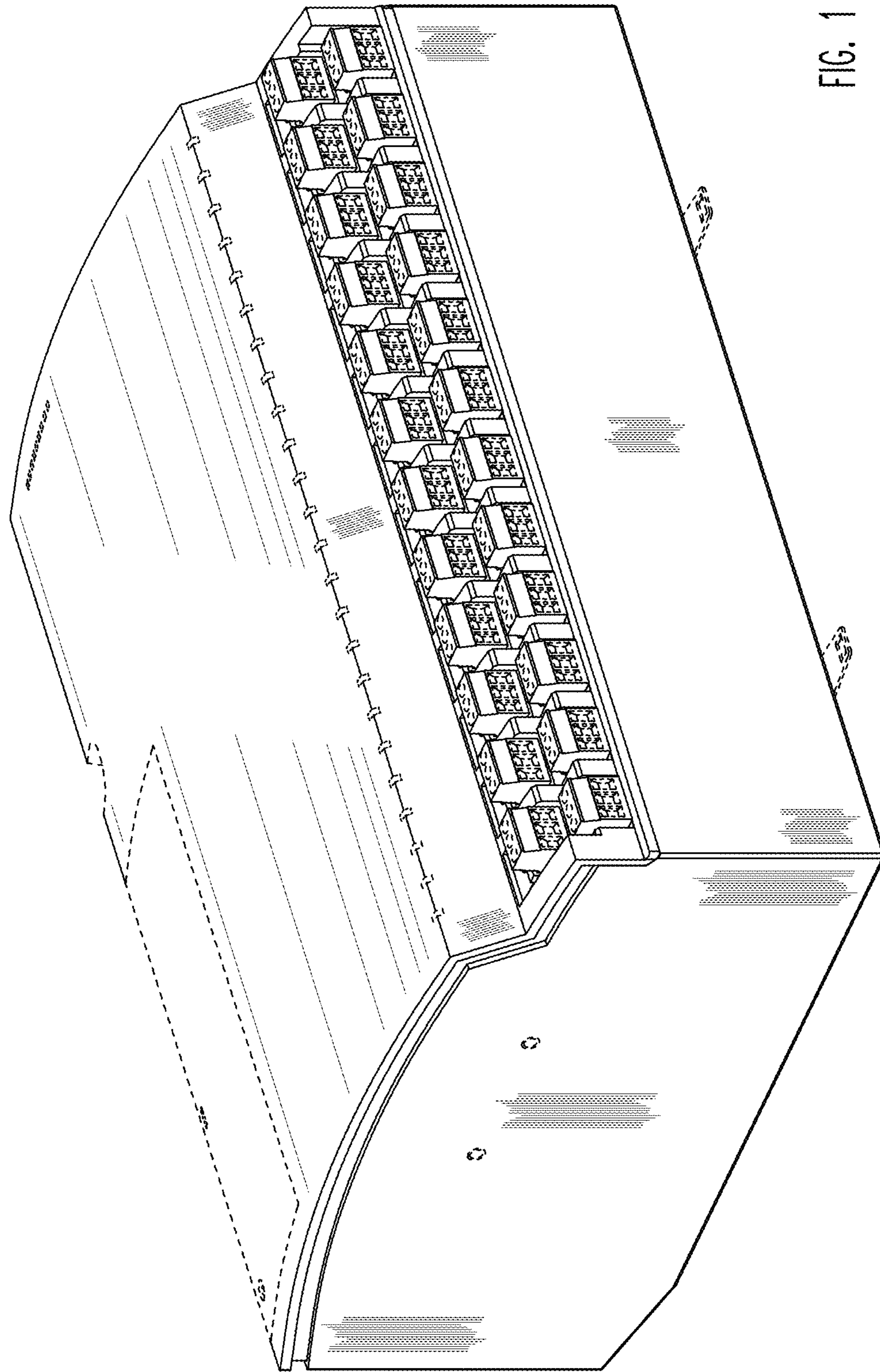


FIG. 1

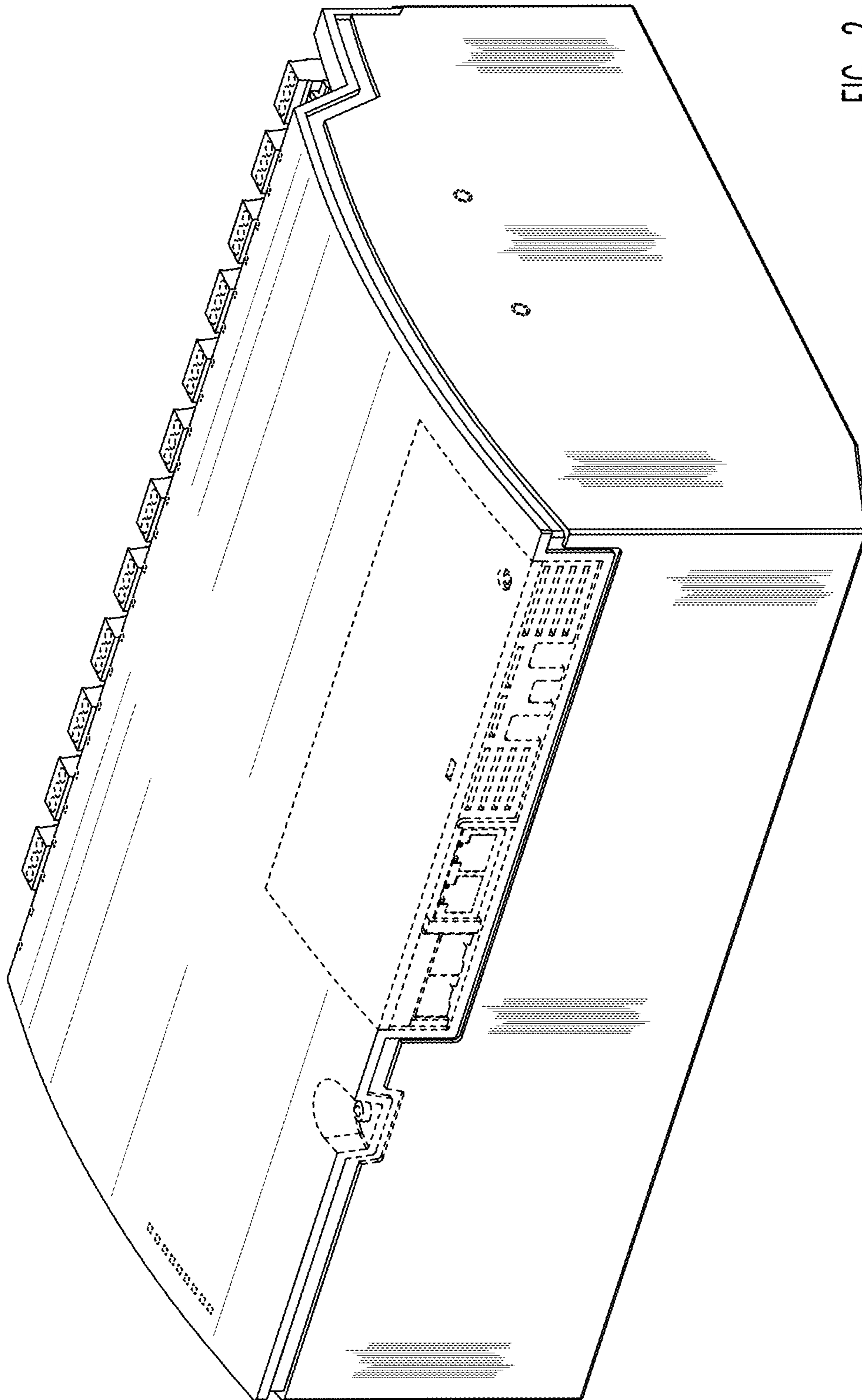


FIG. 2

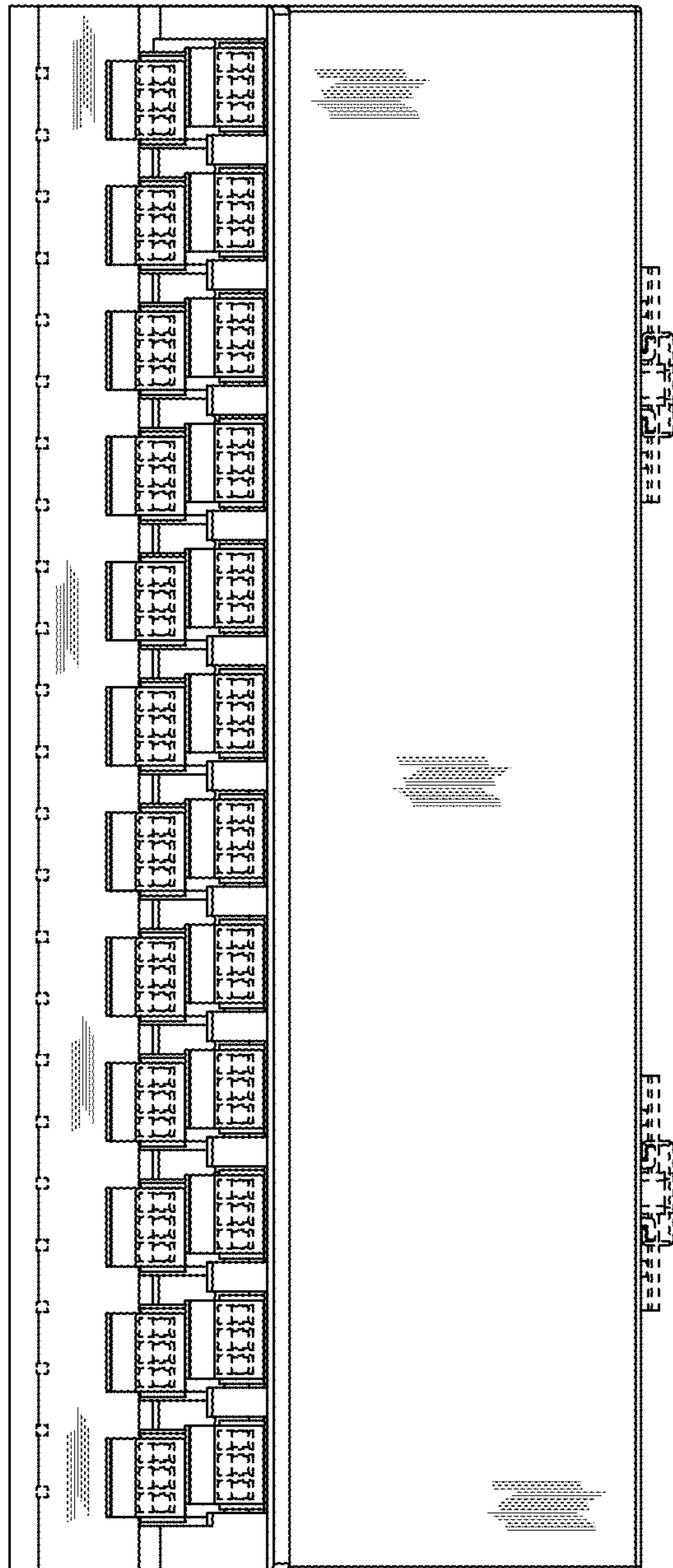


FIG. 3

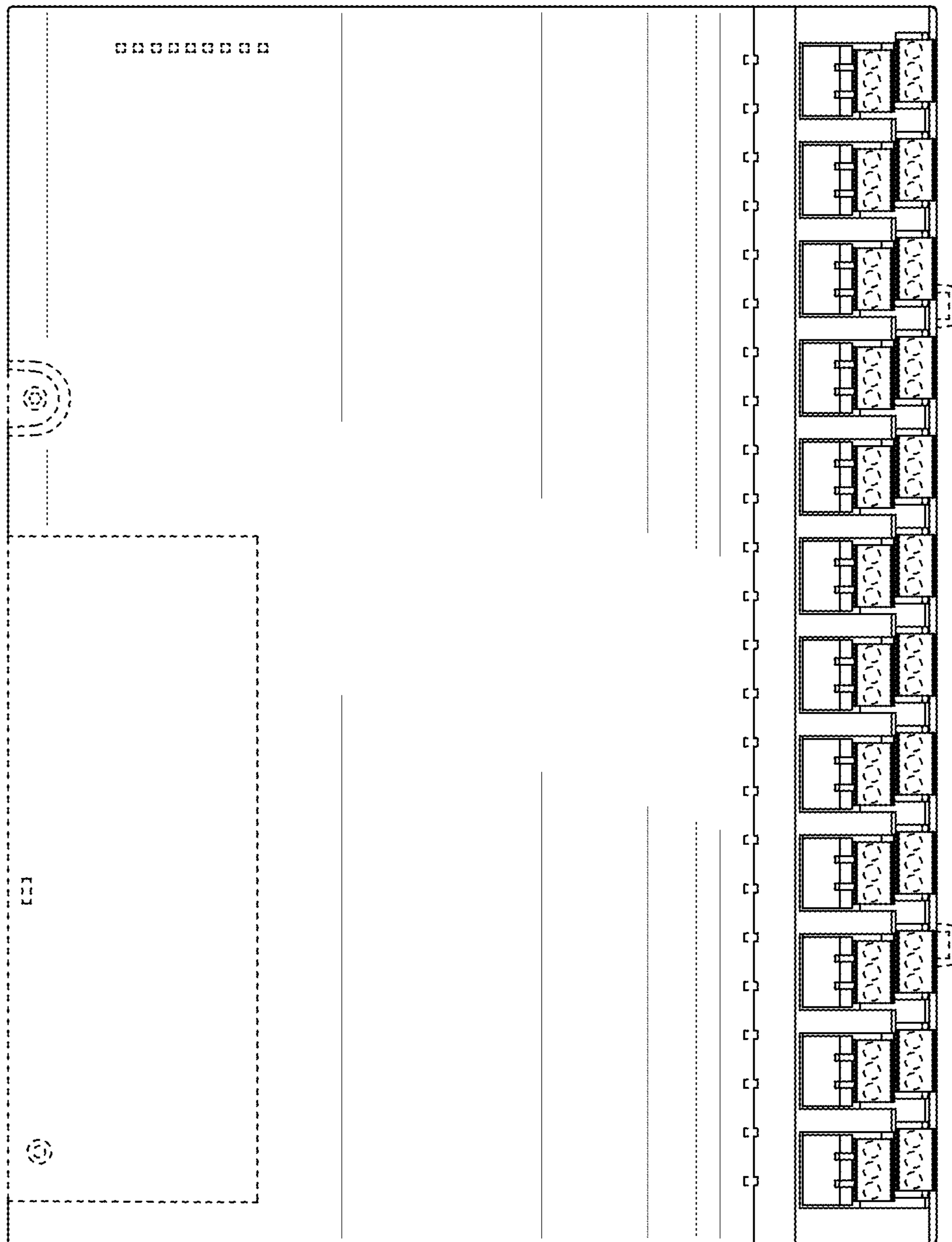


FIG. 4

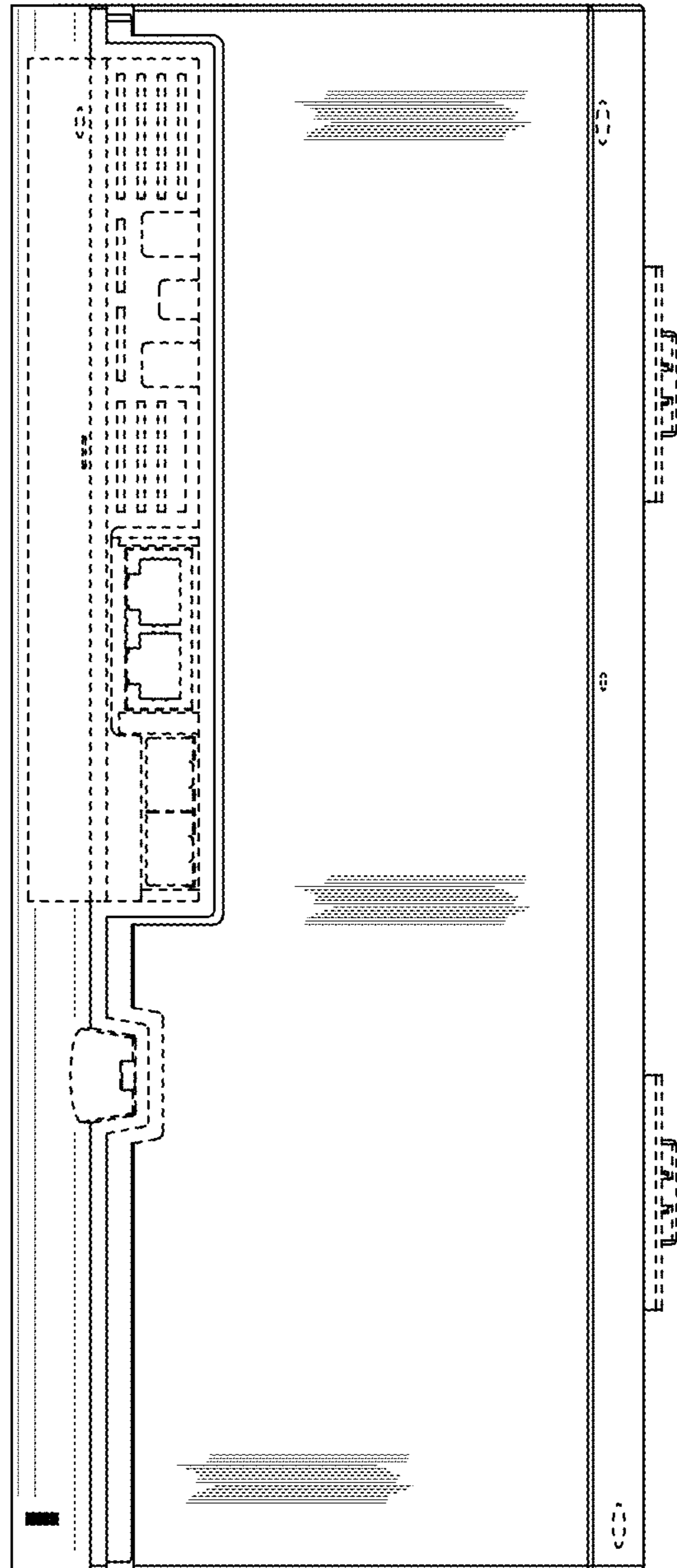


FIG. 5

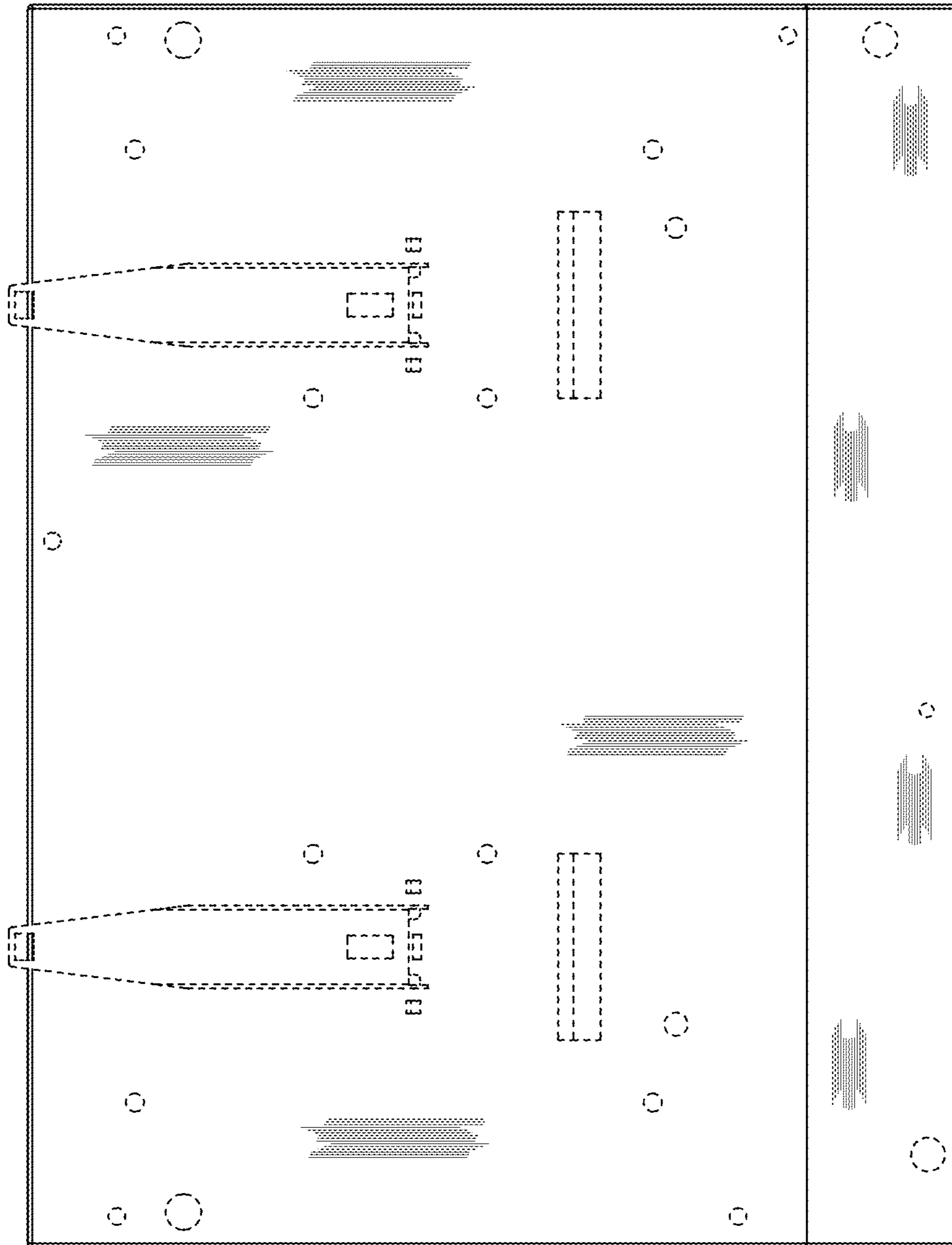


FIG. 6

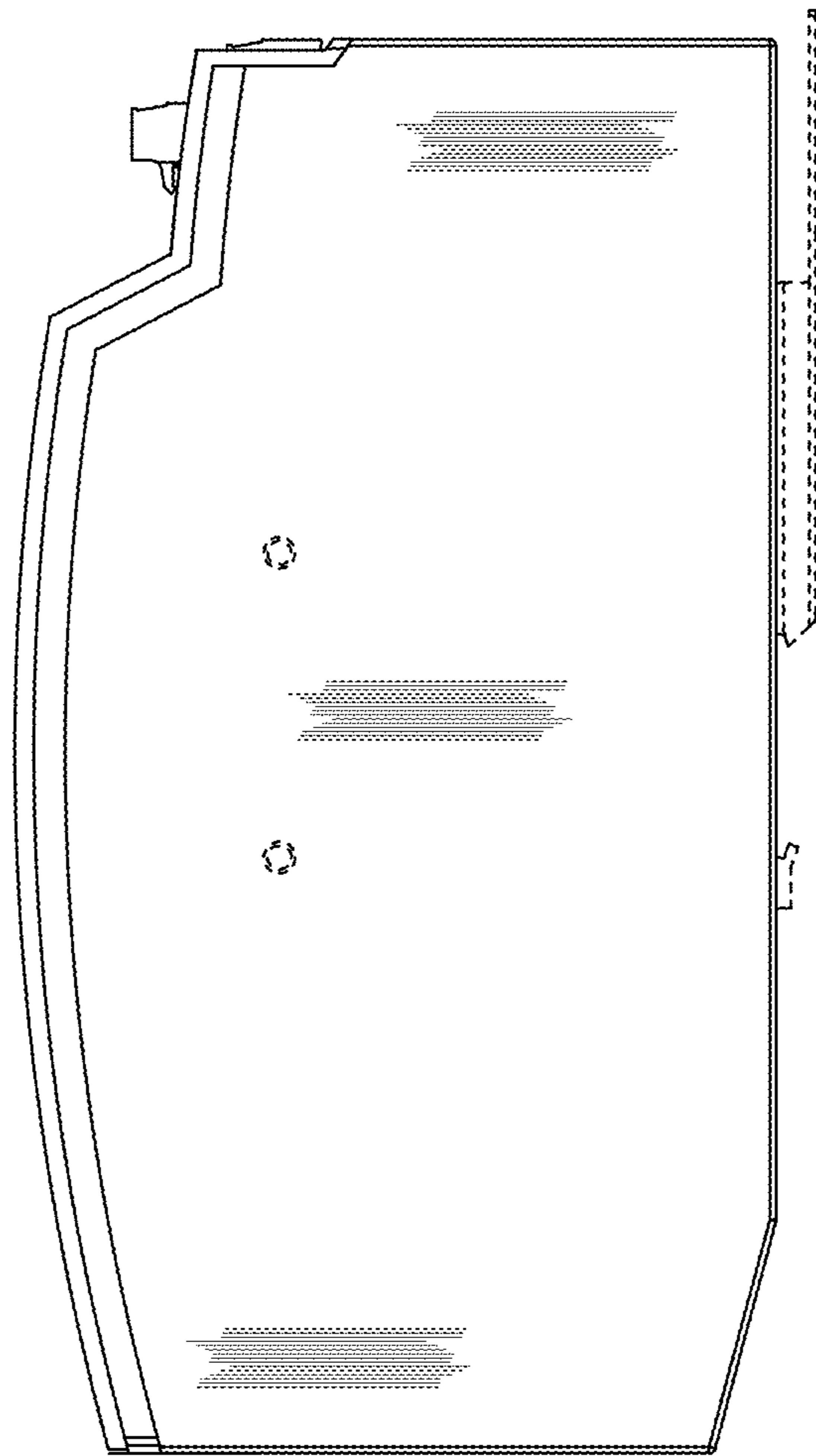


FIG. 7

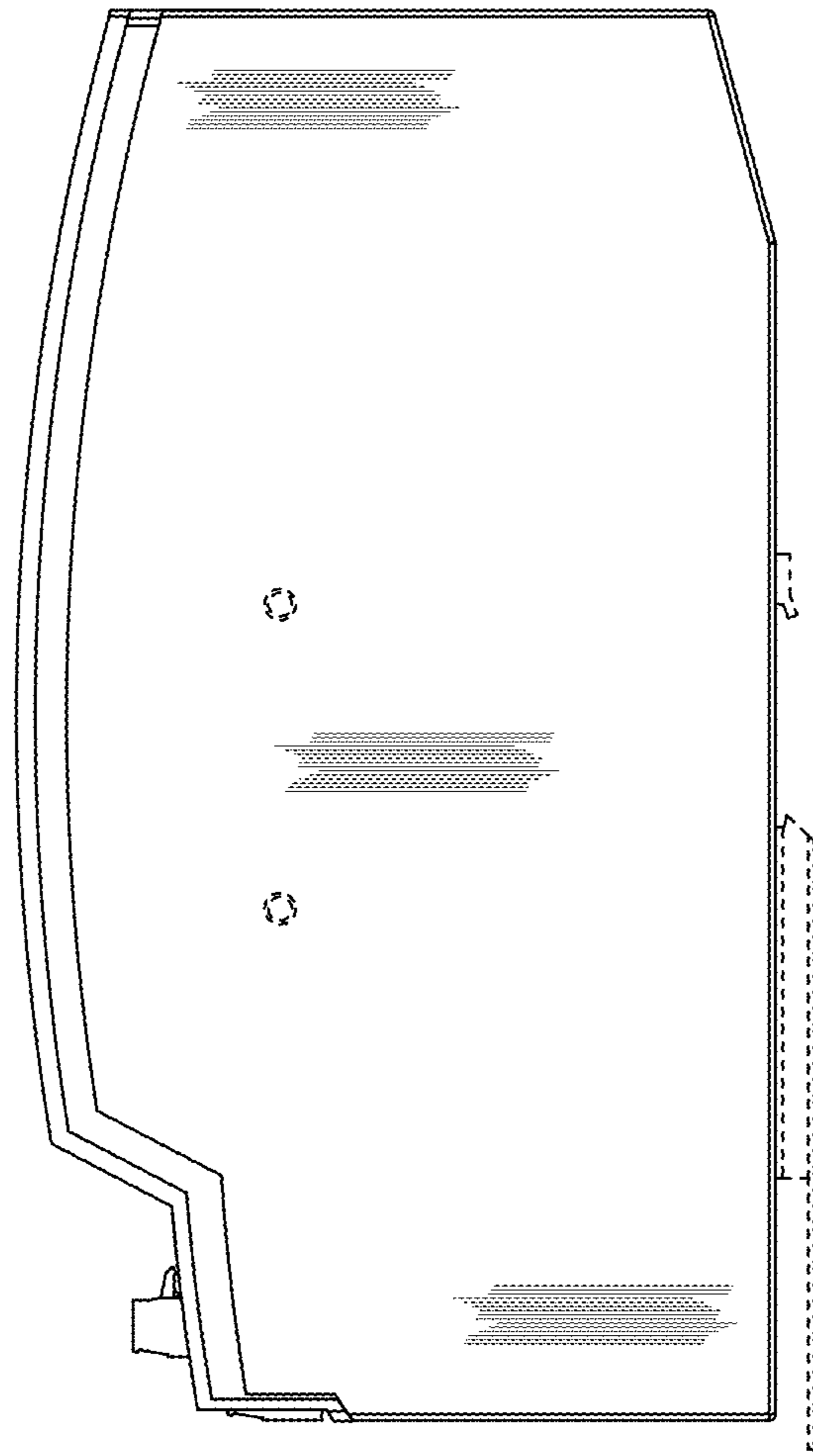


FIG. 8