



US00D979517S

(12) **United States Design Patent**
Obata

(10) **Patent No.:** **US D979,517 S**

(45) **Date of Patent:** **** Feb. 28, 2023**

(54) **CONNECTOR**

(71) Applicant: **Japan Aviation Electronics Industry, Limited**, Tokyo (JP)

(72) Inventor: **Yusuke Obata**, Tokyo (JP)

(73) Assignee: **JAPAN AVIATION ELECTRONICS INDUSTRY, LIMITED**, Tokyo (JP)

(**) Term: **15 Years**

(21) Appl. No.: **29/769,829**

(22) Filed: **Feb. 8, 2021**

(30) **Foreign Application Priority Data**

Sep. 30, 2020 (JP) 2020-020957 D

(51) **LOC (14) Cl.** **13-03**

(52) **U.S. Cl.**
USPC **D13/147**; D13/133

(58) **Field of Classification Search**
USPC D13/119–120, 133–134, 146–147, 149,
D13/153–154, 174, 182, 199; D14/433
CPC H01R 13/641; H01R 13/5213; H01R
13/6272; H01R 13/6456
See application file for complete search history.

(56) **References Cited**

U.S. PATENT DOCUMENTS

D314,753 S * 2/1991 Endo D13/147
D320,975 S * 10/1991 Kawashima D13/147
5,643,003 A * 7/1997 Myer H01R 13/641
439/352
6,281,444 B1 * 8/2001 Yamanashi H01R 13/5213
439/350
D459,704 S * 7/2002 Chen D13/147
D463,370 S * 9/2002 Chen D13/147
7,118,417 B2 * 10/2006 Aihara H01R 13/6272
439/752

D605,133 S * 12/2009 Tanaka D13/147
D719,098 S * 12/2014 Endo D13/147
D748,588 S * 2/2016 Endo D13/147
D852,753 S * 7/2019 Endo D13/147
2002/0037661 A1 * 3/2002 Endo H01R 13/6272
439/352
2004/0171294 A1 * 9/2004 Aihara H01R 13/6456
439/374

* cited by examiner

Primary Examiner — Shawn T Gingrich

Assistant Examiner — Bryan N. Melvin

(74) *Attorney, Agent, or Firm* — Manabu Kanesaka

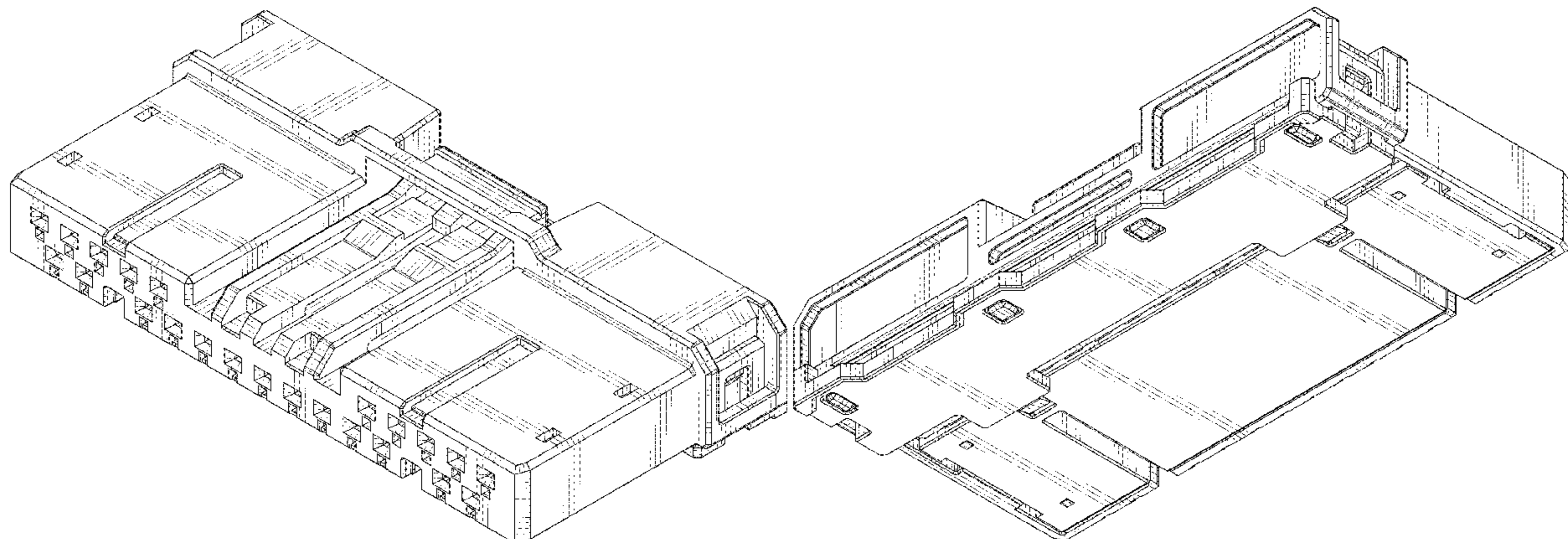
(57) **CLAIM**

The ornamental design for a connector, as shown and described.

DESCRIPTION

FIG. 1 is a front elevational view of a connector showing my new design;
FIG. 2 is a rear elevational view thereof;
FIG. 3 is a right side elevational view thereof;
FIG. 4 is a left side elevational view thereof;
FIG. 5 is a top plan view thereof;
FIG. 6 is a bottom plan view thereof;
FIG. 7 is a perspective view showing a front, top and right side thereof;
FIG. 8 is a perspective view showing a rear, bottom and left side thereof;
FIG. 9 is a perspective view showing a front, right and bottom side thereof; and,
FIG. 10 is a perspective view showing a rear, left and top side thereof.
The broken line showing of the connector is for the purpose of illustrating portions of the article and forms no part of the claimed design.

1 Claim, 5 Drawing Sheets



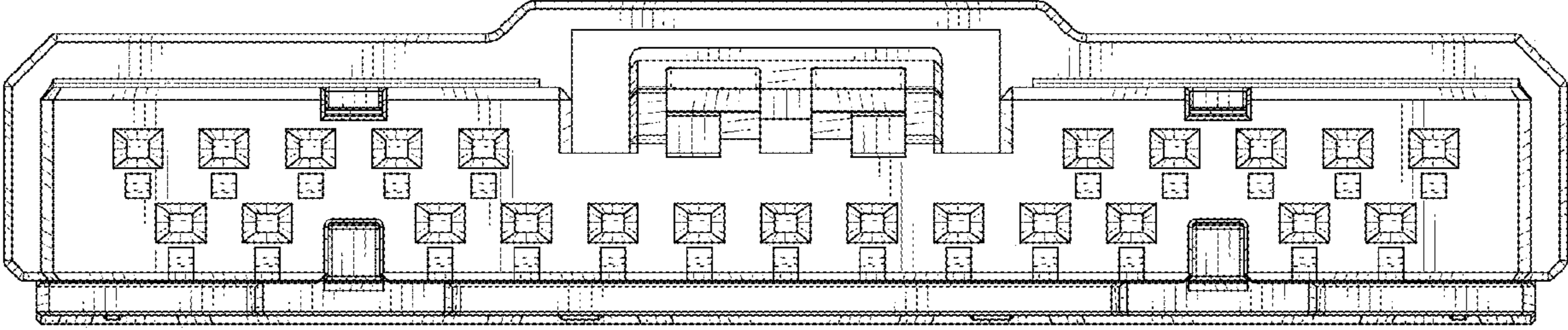


FIG. 1

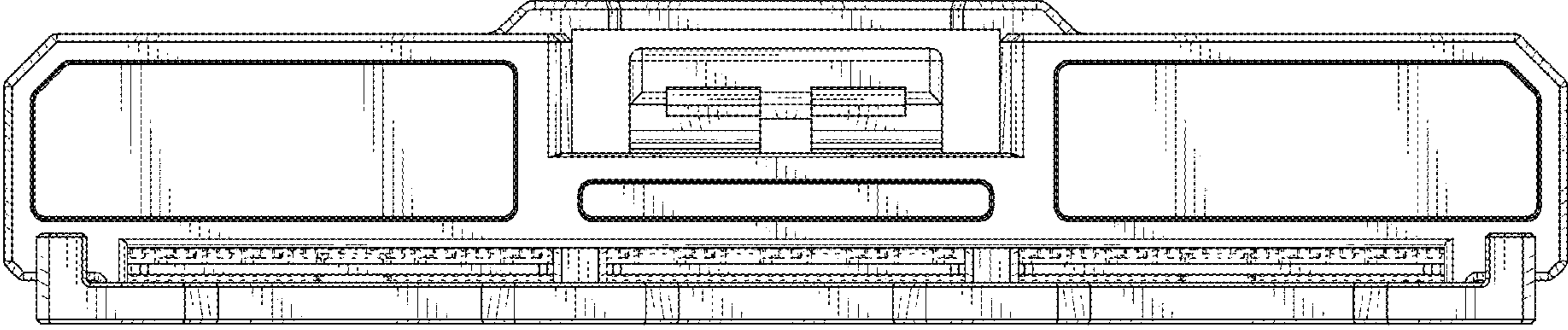


FIG. 2

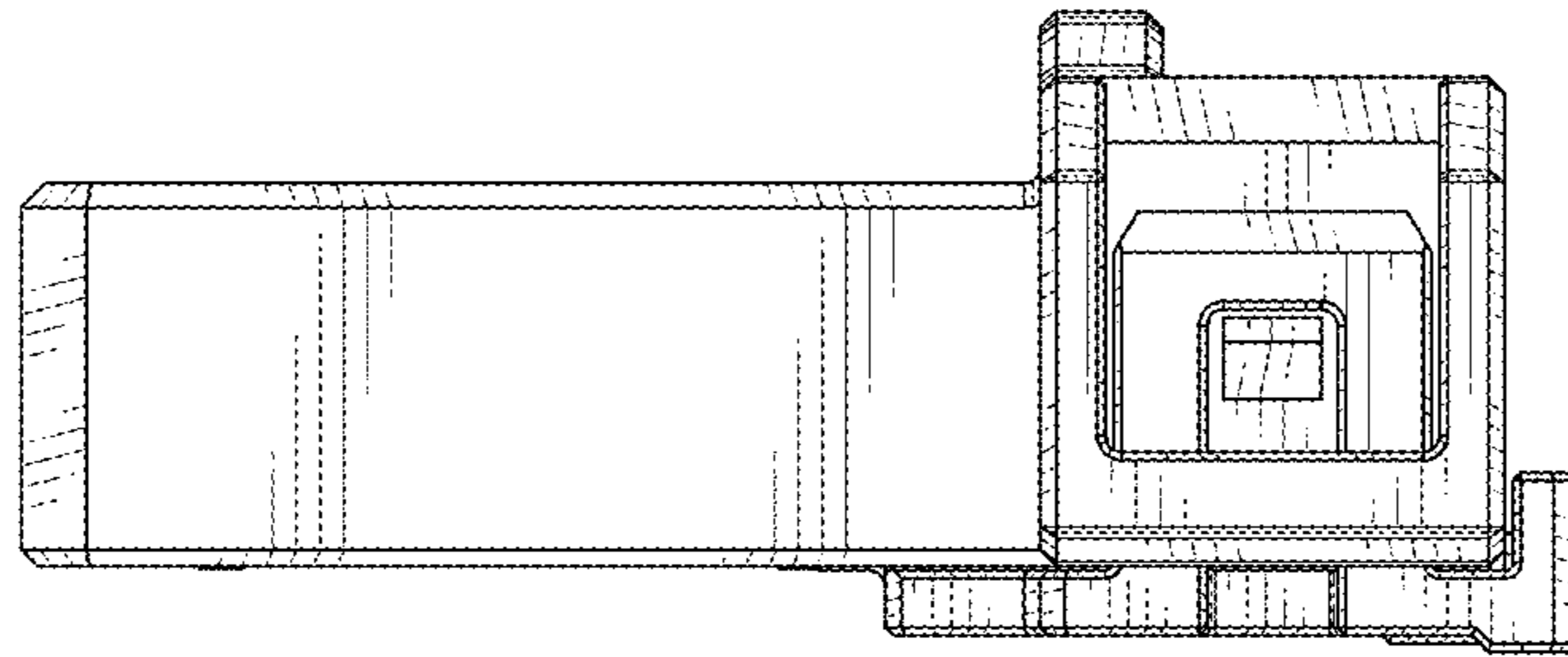


FIG. 3

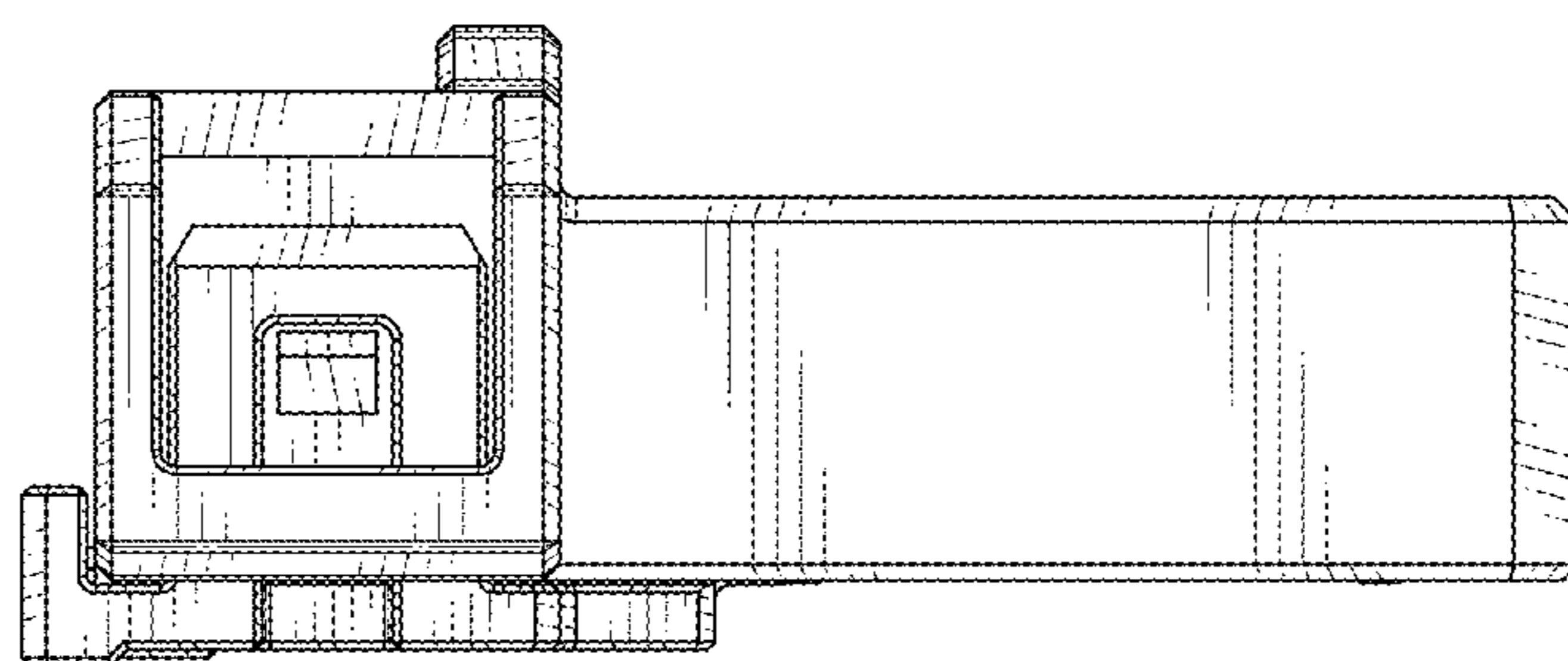


FIG. 4

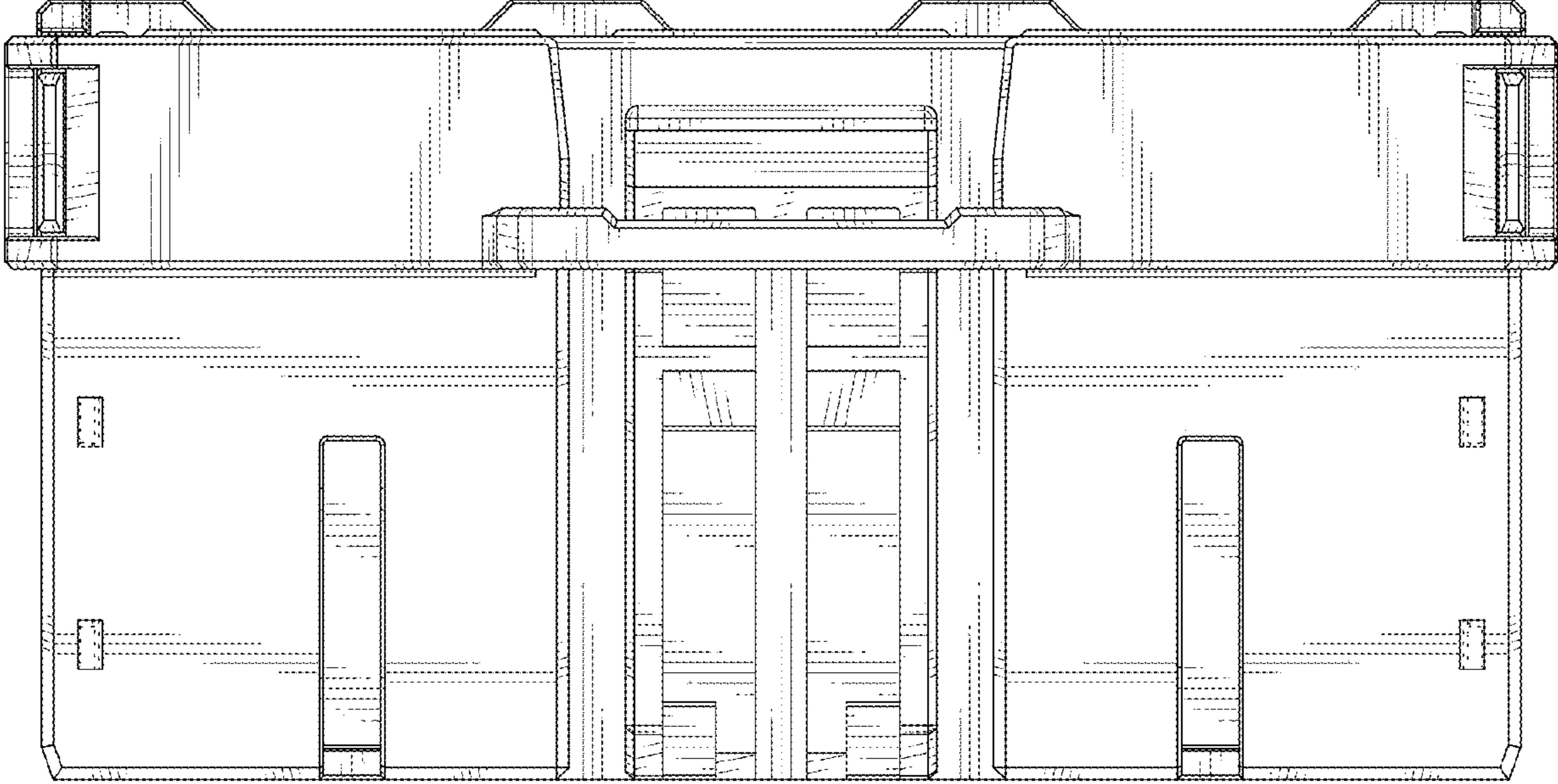


FIG. 5

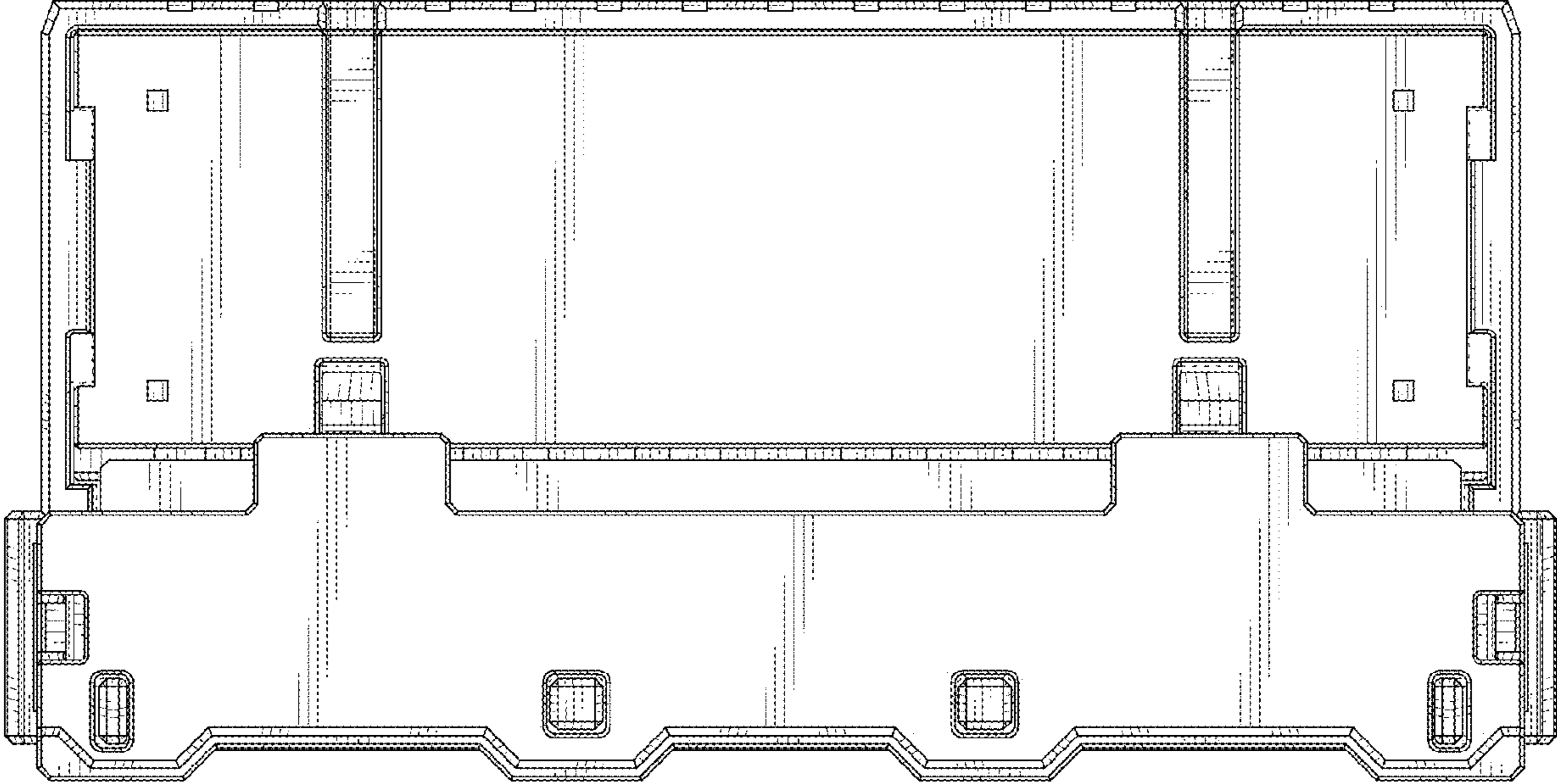


FIG. 6

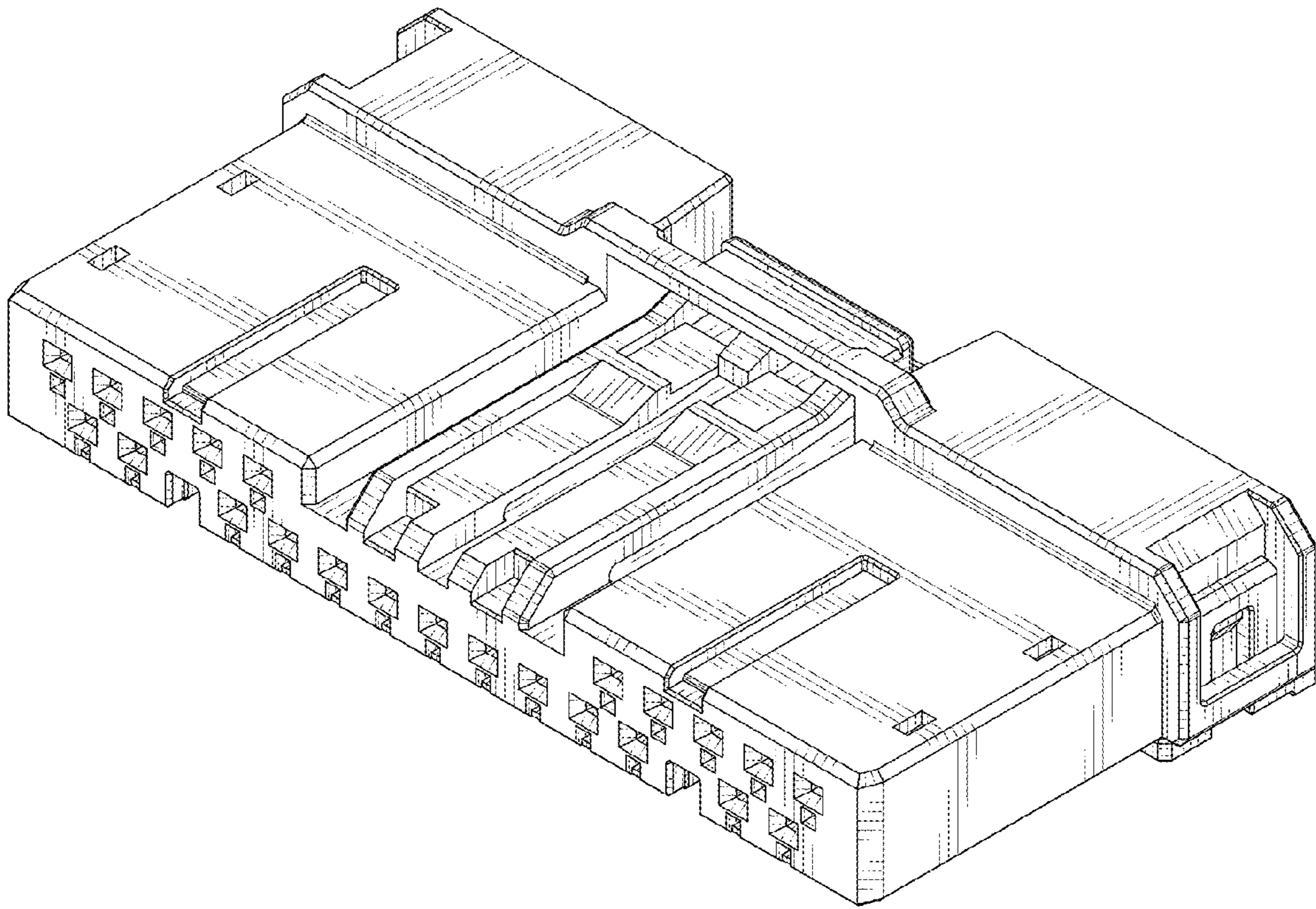


FIG. 7

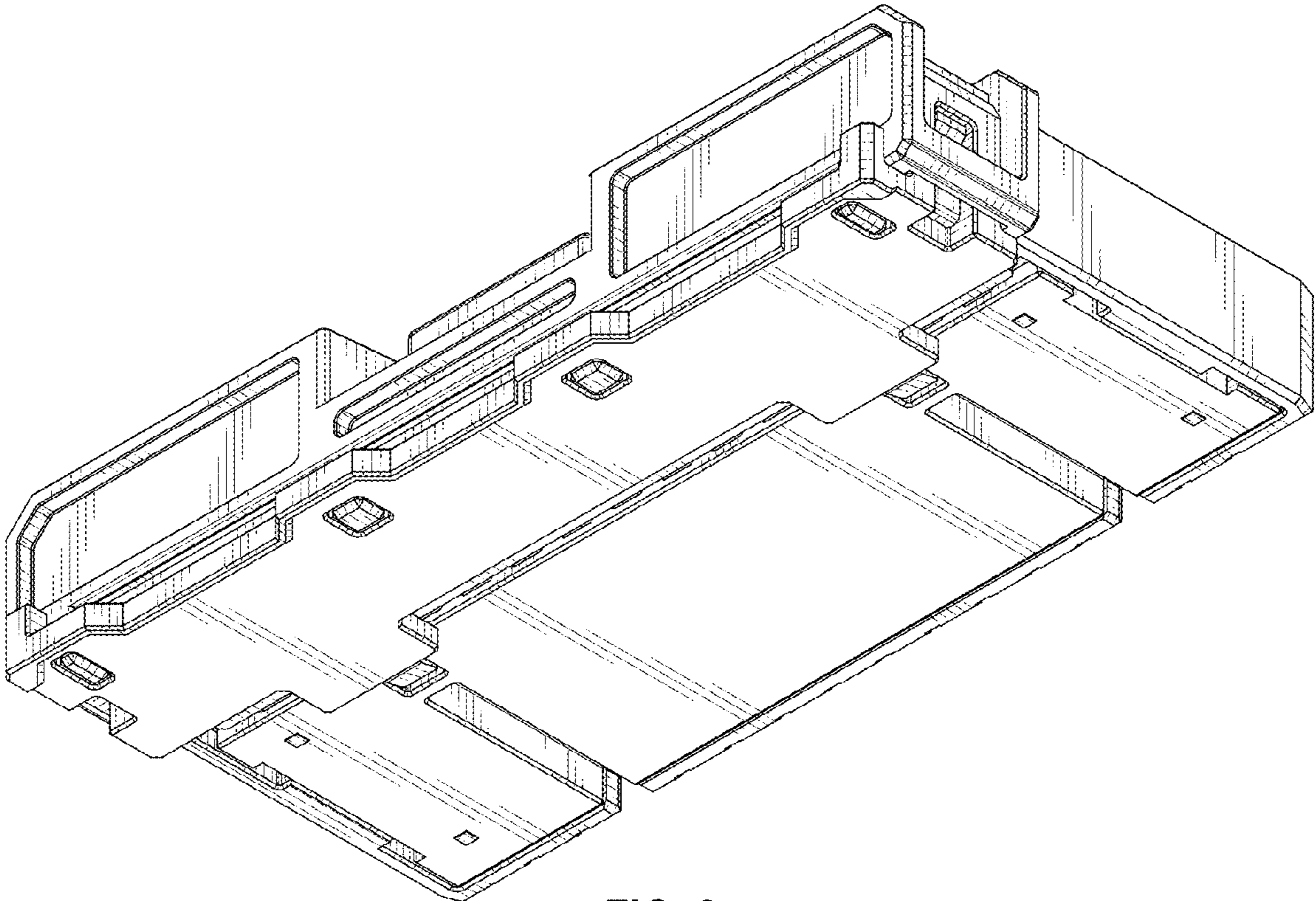


FIG. 8

