



US00D979515S

(12) **United States Design Patent** (10) **Patent No.:** **US D979,515 S**  
**Cheng** (45) **Date of Patent:** **\*\* Feb. 28, 2023**

(54) **MULTIFUNCTIONAL POWER STATION**

(56) **References Cited**

(71) Applicant: **APOLLO ELECTRICAL TECHNOLOGY COMPANY LIMITED**, Taipei (TW)

U.S. PATENT DOCUMENTS

D472,213 S \* 3/2003 Byrne ..... D13/139.4  
D665,355 S \* 8/2012 Byrne ..... D13/139.4

(Continued)

(72) Inventor: **Chi-Wen Cheng**, Taipei (TW)

FOREIGN PATENT DOCUMENTS

(73) Assignee: **APOLLO ELECTRICAL TECHNOLOGY COMPANY LIMITED**, Taipei (TW)

CN 305801235 \* 5/2020  
GB 6097889 \* 8/2020  
WO WOD093385-001 \* 11/2016

(\*\*) Term: **15 Years**

OTHER PUBLICATIONS

(21) Appl. No.: **29/762,179**

“Ntonpower 2 Prong Power Strip with White Extension Cord 10 ft, 4 Outlet Surge Protector Power Strip with 4 USB Charging Ports for Laptop Home Office Desktop, 1700 J, Non Grounded Outlet Adapter”, first available Jul. 29, 2020. Amazon.com [https://www.amazon.com/dp/B08DTW721G] (Year: 2020).\*

(Continued)

(22) Filed: **Dec. 15, 2020**

(51) **LOC (14) Cl.** ..... **13-03**

(52) **U.S. Cl.**  
USPC ..... **D13/139.6**

(58) **Field of Classification Search**  
USPC ..... D13/107, 108, 110, 137.1, 137.2, 137.3, D13/137.4, 138.1, 138.2, 139.1, 139.2, D13/139.3, 139.4, 139.5, 139.6, 139.7, D13/139.8, 146, 151, 152, 153, 154, 158, D13/159, 160, 161, 162, 162.1, 163, 164, D13/165, 166, 167, 168, 169, 171, 172, D13/173, 174, 175, 176, 177, 178, 179, D13/184, 199  
CPC ..... H01R 13/00; H01R 13/03; H01R 13/04; H01R 13/10; H01R 13/35; H01R 13/44; H01R 13/46; H01R 13/453; H01R 13/4534; H01R 13/502; H01R 13/506; H01R 13/514; H01R 13/518; H01R 13/6272; H01R 13/631; H01R 13/639; H01R 13/652; H01R 13/665; H01R 13/6633; H01R 13/6666; H01R 13/6675; H01R 13/7135; H01R 31/02; H01R 31/06; H01R 31/065; H01R 25/00; H01R 25/006; H01R 9/00;

*Primary Examiner* — Rosemary K Tarcza  
*Assistant Examiner* — Seth David Kumpf  
(74) *Attorney, Agent, or Firm* — Muncy, Geissler, Olds & Lowe, PC

(57) **CLAIM**

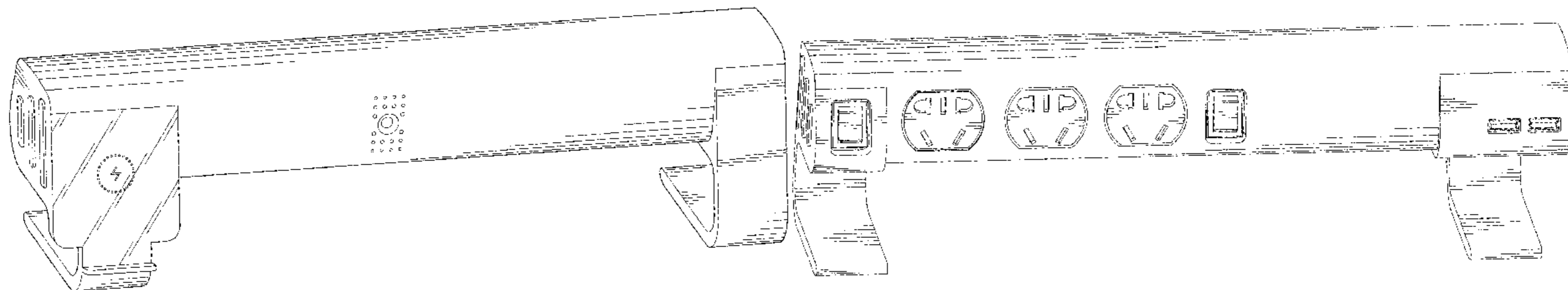
The ornamental design for a multifunctional power station design, as shown.

**DESCRIPTION**

FIG. 1 is a perspective view of a multifunctional power station, showing my new design;  
FIG. 2 is a front view thereof;  
FIG. 3 is a rear view thereof;  
FIG. 4 is a left side view thereof;  
FIG. 5 is a right side view thereof;  
FIG. 6 is a top plan view thereof;  
FIG. 7 is a bottom plan view thereof; and,  
FIG. 8 is another perspective view thereof.

(Continued)

(Continued)



The broken lines depict portions of the multifunctional power station that form no part of the claimed design.

**1 Claim, 8 Drawing Sheets**

**(58) Field of Classification Search**

CPC .... H01R 11/00; H01R 35/04; H01R 2201/06;  
H01H 2207/00; H01H 2207/022; H01H  
2203/00; H05K 5/00; H05K 5/03; H02G  
3/088

See application file for complete search history.

**(56) References Cited**

**U.S. PATENT DOCUMENTS**

D740,229 S \* 10/2015 Page ..... D13/139.4  
D759,596 S \* 6/2016 Byrne ..... D13/137.2

D811,337 S \* 2/2018 Byrne ..... D13/137.2  
D812,009 S \* 3/2018 Hayes ..... D13/139.4  
D869,397 S \* 12/2019 Hayes ..... A47B 21/06  
D13/137.2  
D902,862 S \* 11/2020 Rupert ..... D13/137.1  
D930,591 S \* 9/2021 Rupert ..... D13/137.1  
D931,817 S \* 9/2021 Byrne ..... D13/139.4  
D948,445 S \* 4/2022 Helms ..... D13/137.3  
D948,447 S \* 4/2022 Helms ..... D13/137.3  
2017/0063009 A1\* 3/2017 Los ..... H01R 27/02

**OTHER PUBLICATIONS**

“Anker Power Strip Surge Protector with USB, 5 ft Extension Cord, Flat Plug, 331 Power Strip with 6 Outlets and 3 USB Ports, Charging Station, Compact for Cruise Ship Travel, Home, Dorm Room and Office”, first available Mar. 15, 2021. Amazon.com [https://www.amazon.com/dp/B08YY9X1JV] (Year: 2021).\*

\* cited by examiner

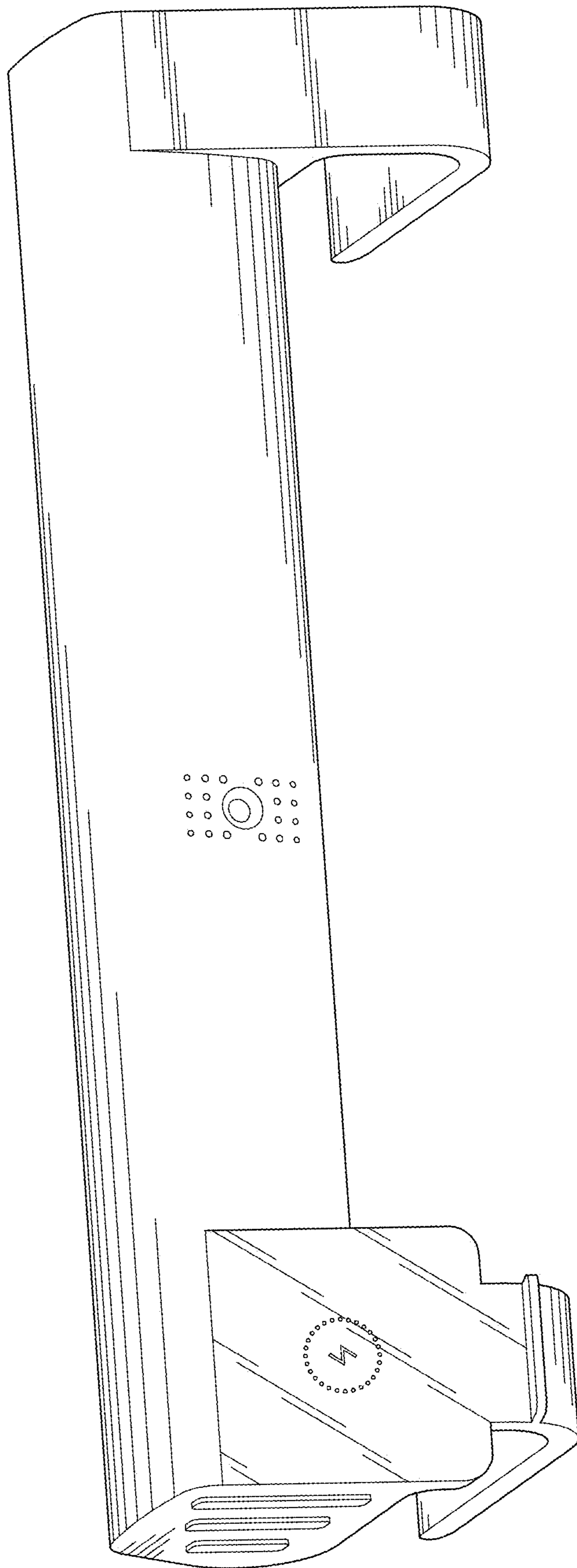


Fig.1

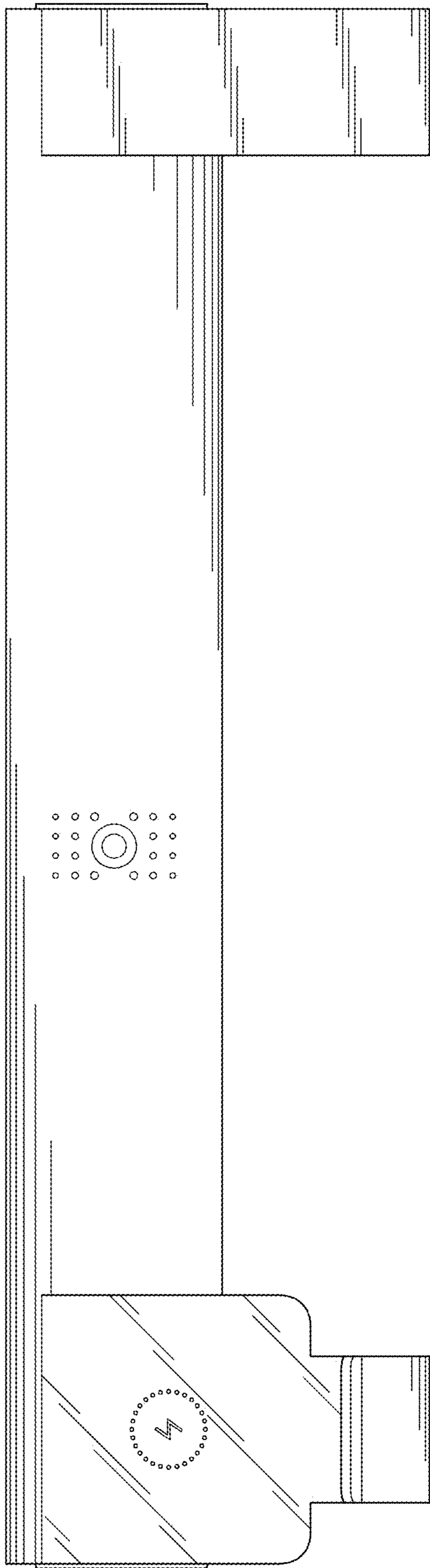


Fig.2

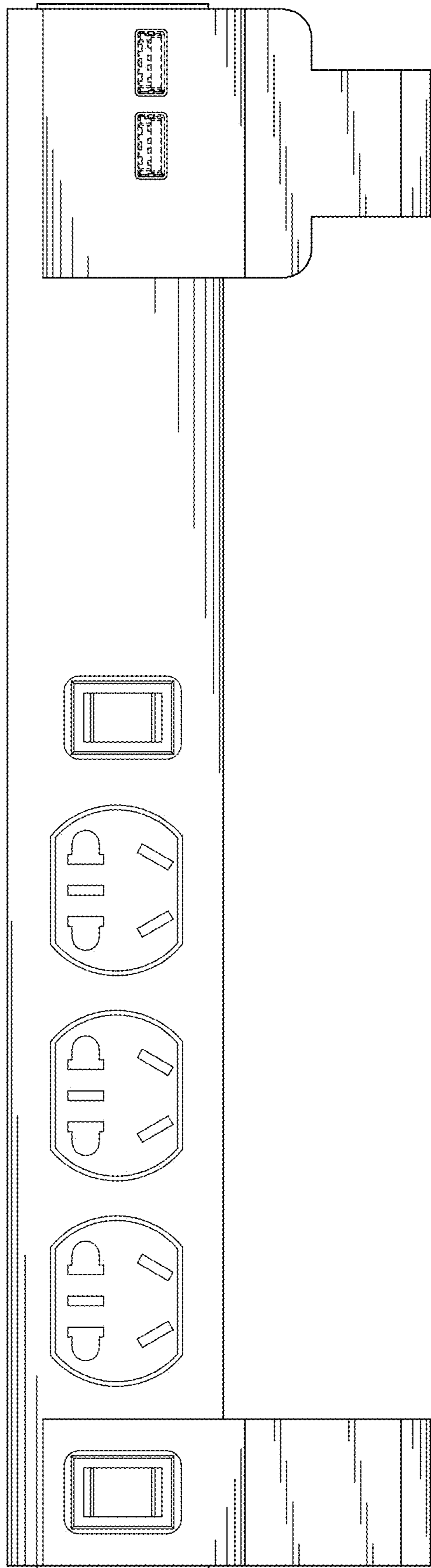


Fig.3

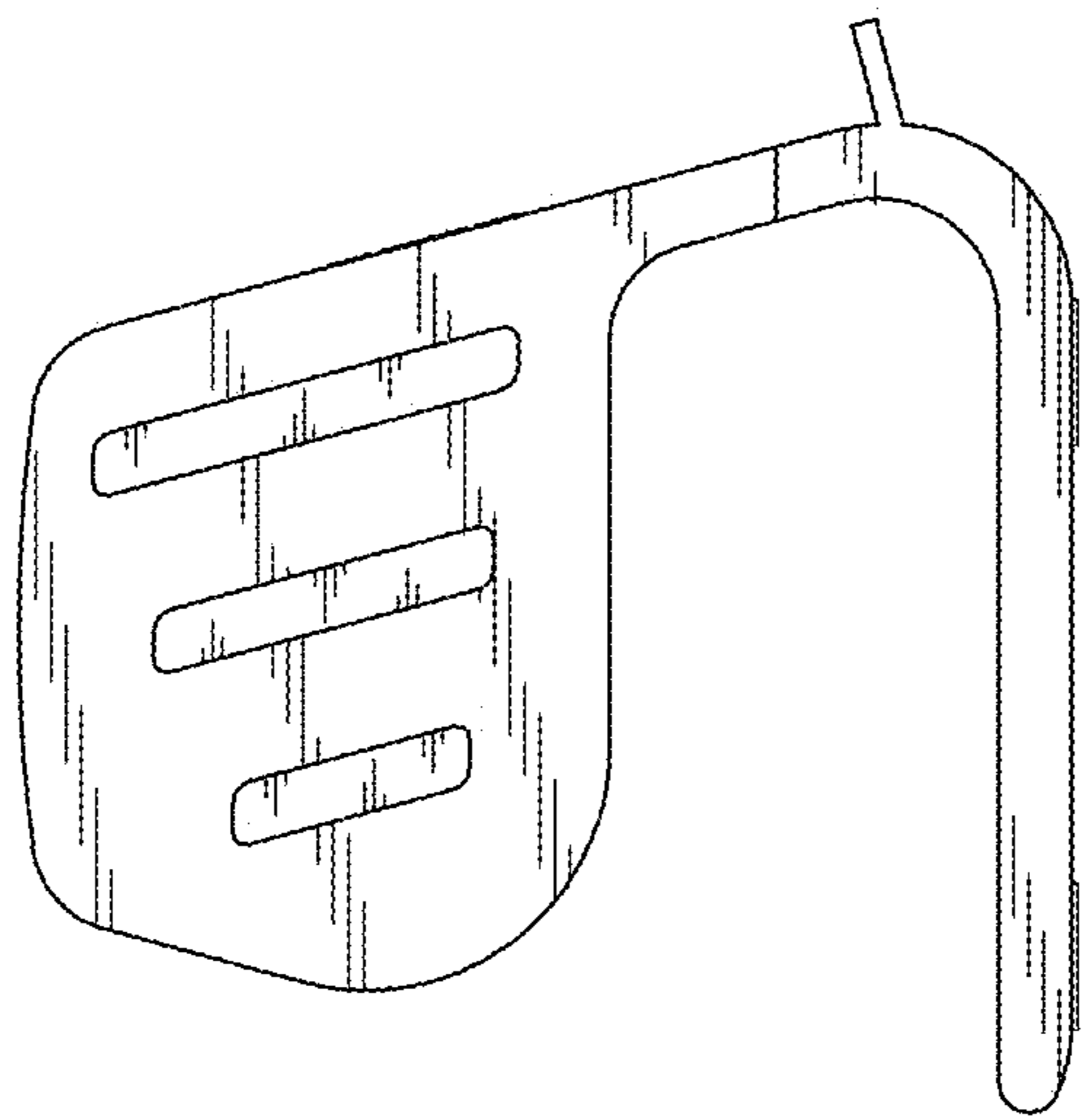


Fig.4

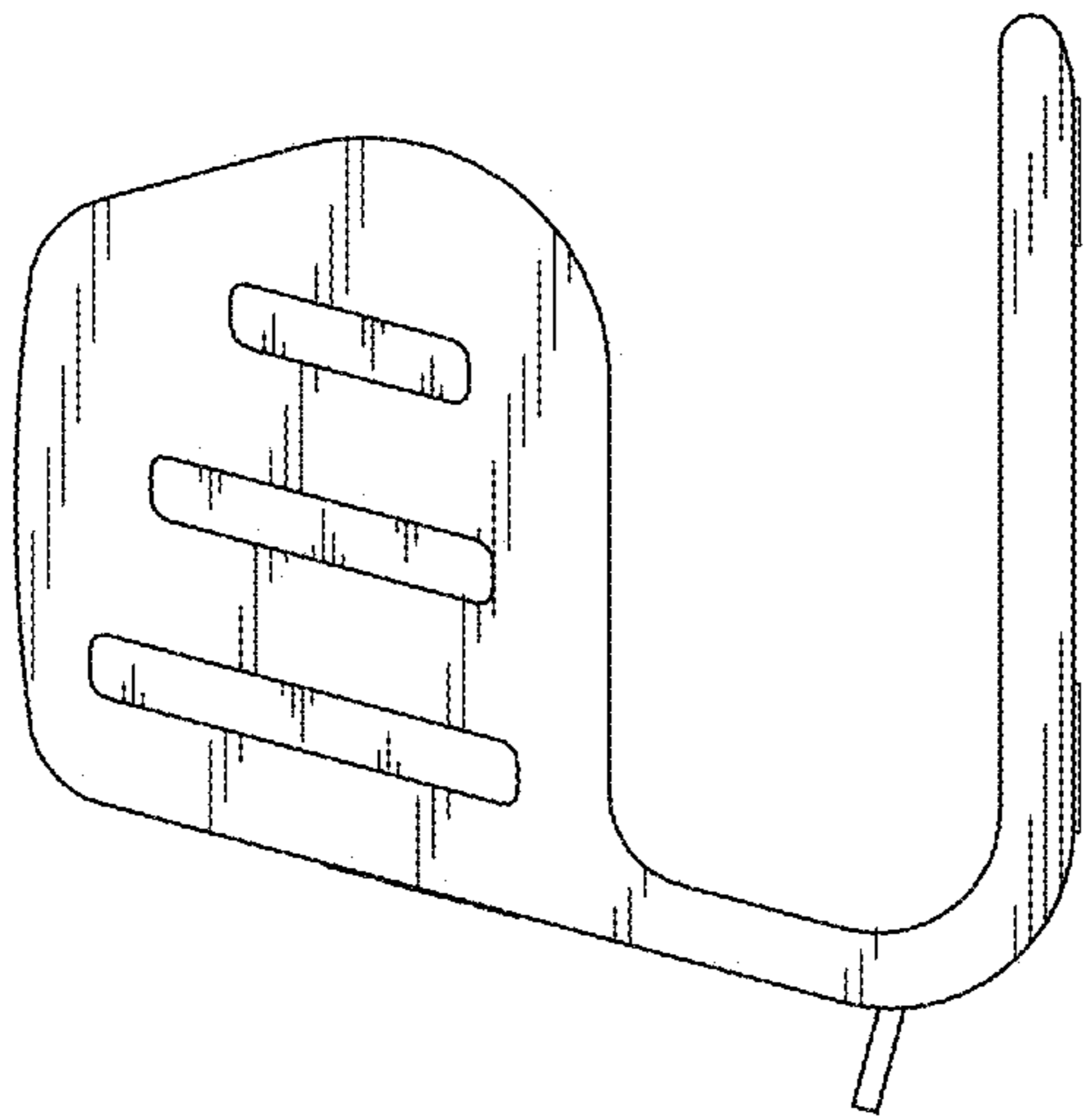


Fig.5

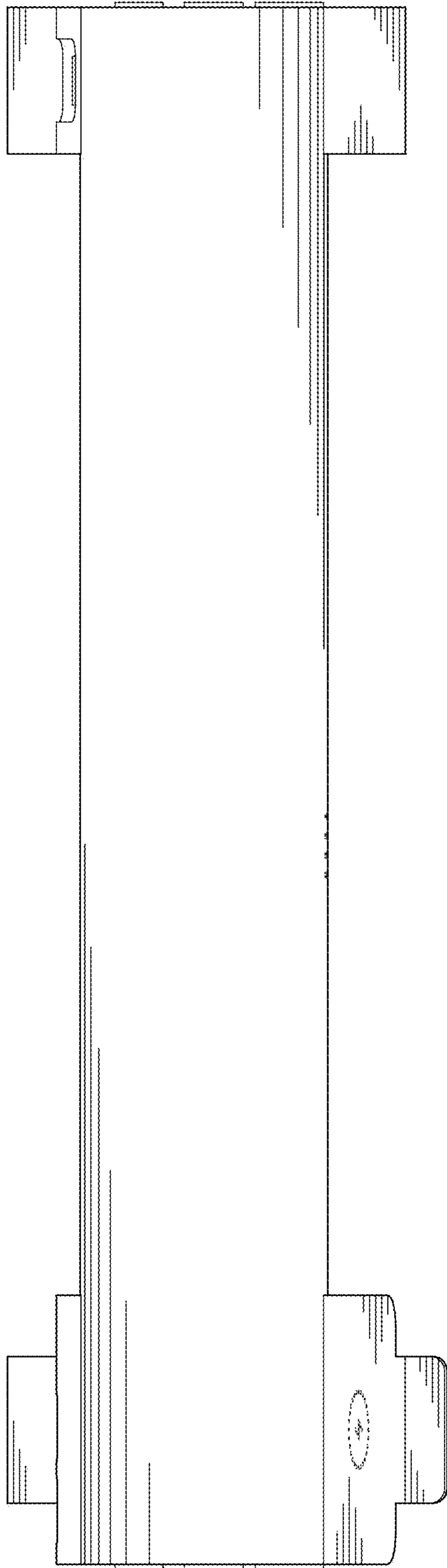


Fig.6



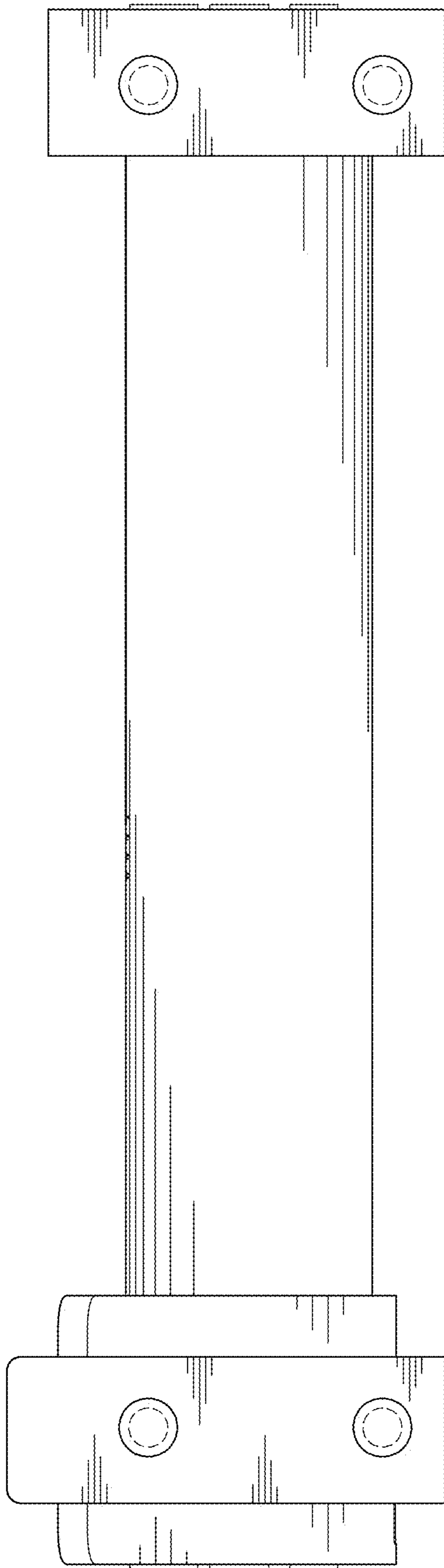


Fig.7

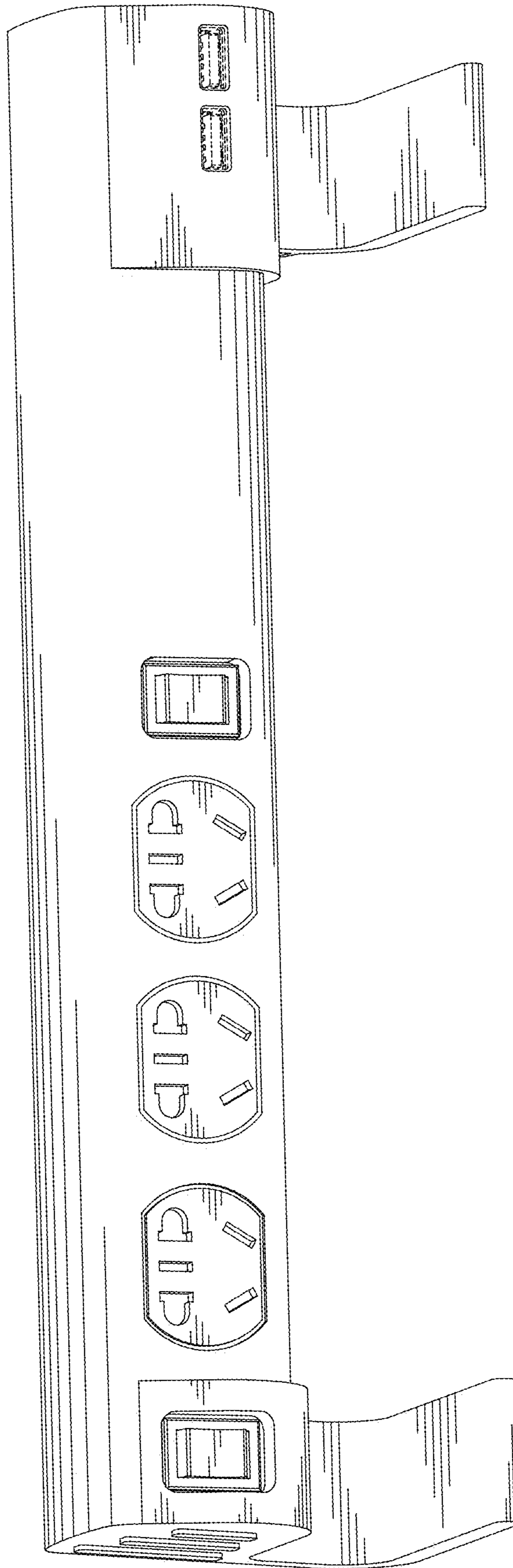


Fig.8