



US00D979513S

(12) **United States Design Patent**
Yamamoto

(10) **Patent No.:** **US D979,513 S**

(45) **Date of Patent:** **** Feb. 28, 2023**

(54) **CONNECTOR**

(71) Applicant: **Japan Aviation Electronics Industry, Limited**, Tokyo (JP)

(72) Inventor: **Masao Yamamoto**, Tokyo (JP)

(73) Assignee: **JAPAN AVIATION ELECTRONICS INDUSTRY, LIMITED**, Tokyo (JP)

(**) Term: **15 Years**

(21) Appl. No.: **29/841,954**

(22) Filed: **Jun. 9, 2022**

Related U.S. Application Data

(62) Division of application No. 29/748,410, filed on Aug. 28, 2020.

(30) **Foreign Application Priority Data**

Mar. 10, 2020 (JP) 2020-004749 D

(51) **LOC (14) Cl.** **13-03**

(52) **U.S. Cl.**
USPC **D13/133; D13/147**

(58) **Field of Classification Search**
USPC D13/119–120, 133–134, 146–147, 149,
D13/153–154, 174, 182, 199; D14/433
CPC H01R 12/57; H01R 13/521; H01R 13/631;
H01R 13/639; H01R 13/6272
See application file for complete search history.

(56) **References Cited**

U.S. PATENT DOCUMENTS

4,657,331 A * 4/1987 Coldren H01R 13/6272
439/571
D314,755 S * 2/1991 Endo D13/147
D323,645 S * 2/1992 Suzuki D13/147
D324,849 S * 3/1992 Nagasaka D13/147
D325,372 S * 4/1992 Taguchi D13/147

5,236,373 A * 8/1993 Kennedy H01R 13/639
439/352
D464,321 S * 10/2002 Chen D13/147
D537,783 S * 3/2007 Hamada D13/133
D560,169 S * 1/2008 Kudo D13/147
D605,132 S * 12/2009 Tanaka D13/147
D742,321 S * 11/2015 Endo D13/147
D754,072 S * 4/2016 Katagiyama D13/133
D843,323 S * 3/2019 Endo D13/147
D898,674 S * 10/2020 Shimomaki D13/147
D924,162 S * 7/2021 Yokoyama D13/147

(Continued)

Primary Examiner — Shawn T Gingrich

Assistant Examiner — Bryan N. Melvin

(74) *Attorney, Agent, or Firm* — Manabu Kanosaka

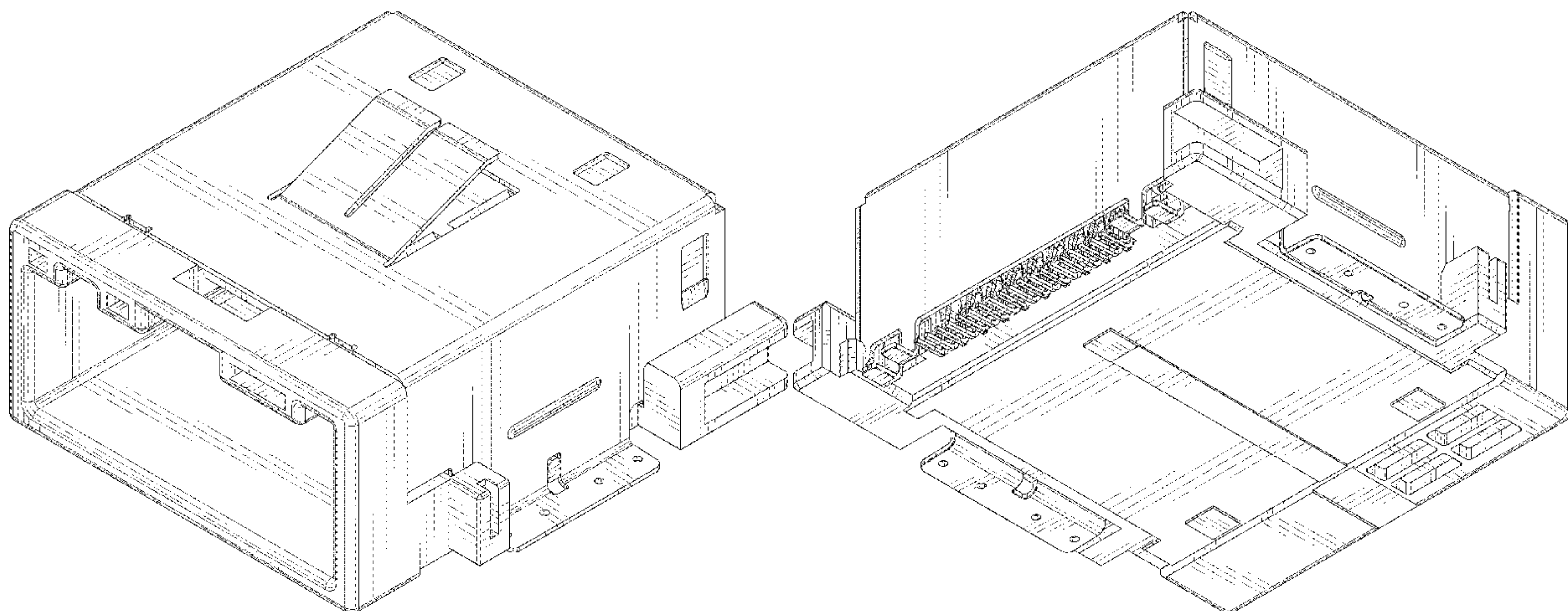
(57) **CLAIM**

The ornamental design for a connector, as shown and described.

DESCRIPTION

FIG. 1 is a front elevational view of a connector showing my new design;
FIG. 2 is a rear elevational view thereof;
FIG. 3 is a right side elevational view thereof;
FIG. 4 is a left side elevational view thereof;
FIG. 5 is a top plan view thereof;
FIG. 6 is a bottom plan view thereof;
FIG. 7 is a perspective view showing a front, top and right side thereof;
FIG. 8 is a perspective view showing a rear, bottom and left side thereof;
FIG. 9 is a perspective view showing a front, right and bottom side thereof; and,
FIG. 10 is a perspective view showing a rear, left and top side thereof.
The broken line showing of the connector is for the purpose of illustrating portions of the article and forms no part of the claimed design.

1 Claim, 8 Drawing Sheets



(56)

References Cited

U.S. PATENT DOCUMENTS

2002/0037661 A1* 3/2002 Endo H01R 13/6272
439/352
2002/0072265 A1* 6/2002 Chen H01R 13/6272
439/357

* cited by examiner

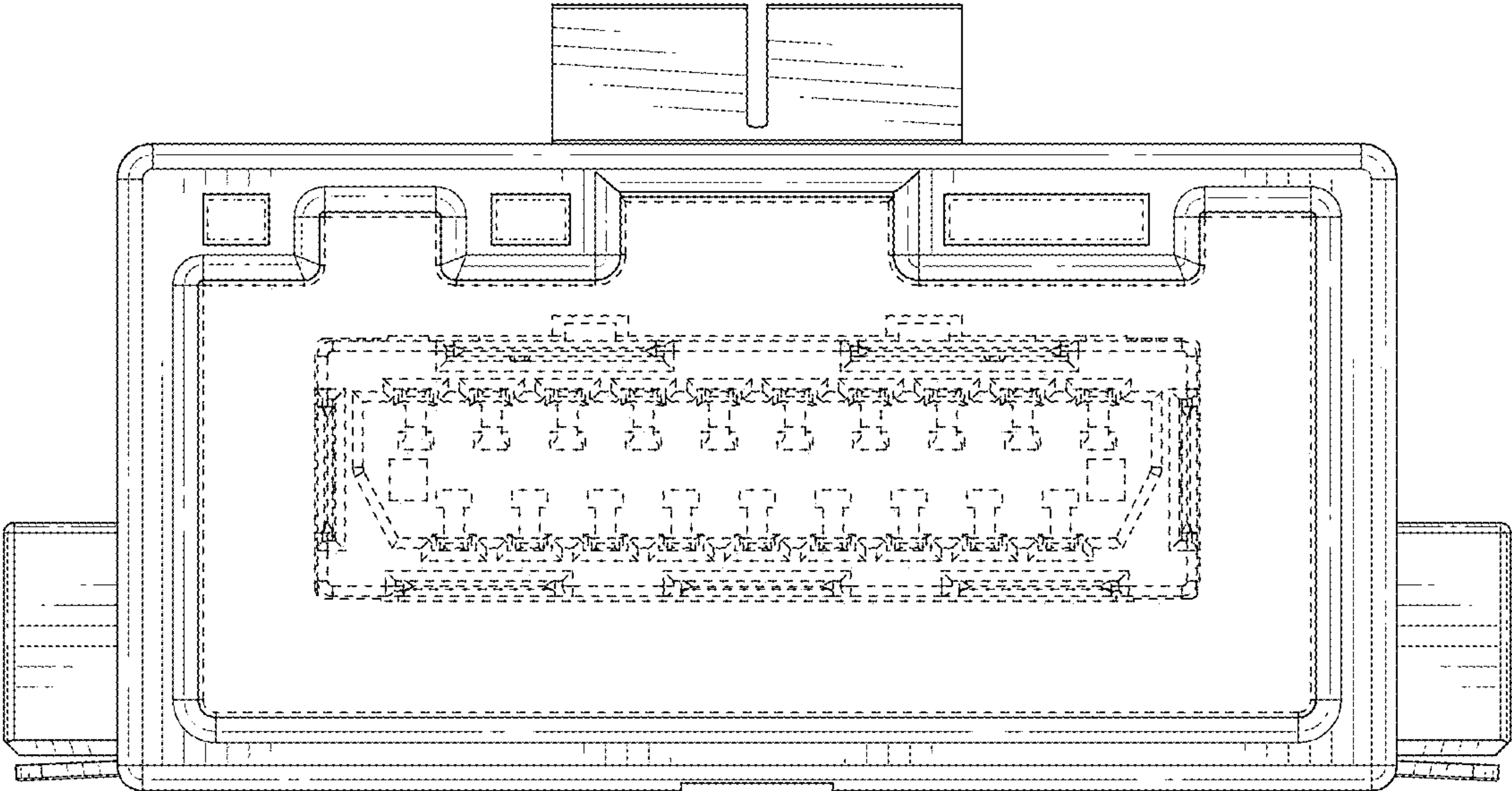


FIG. 1

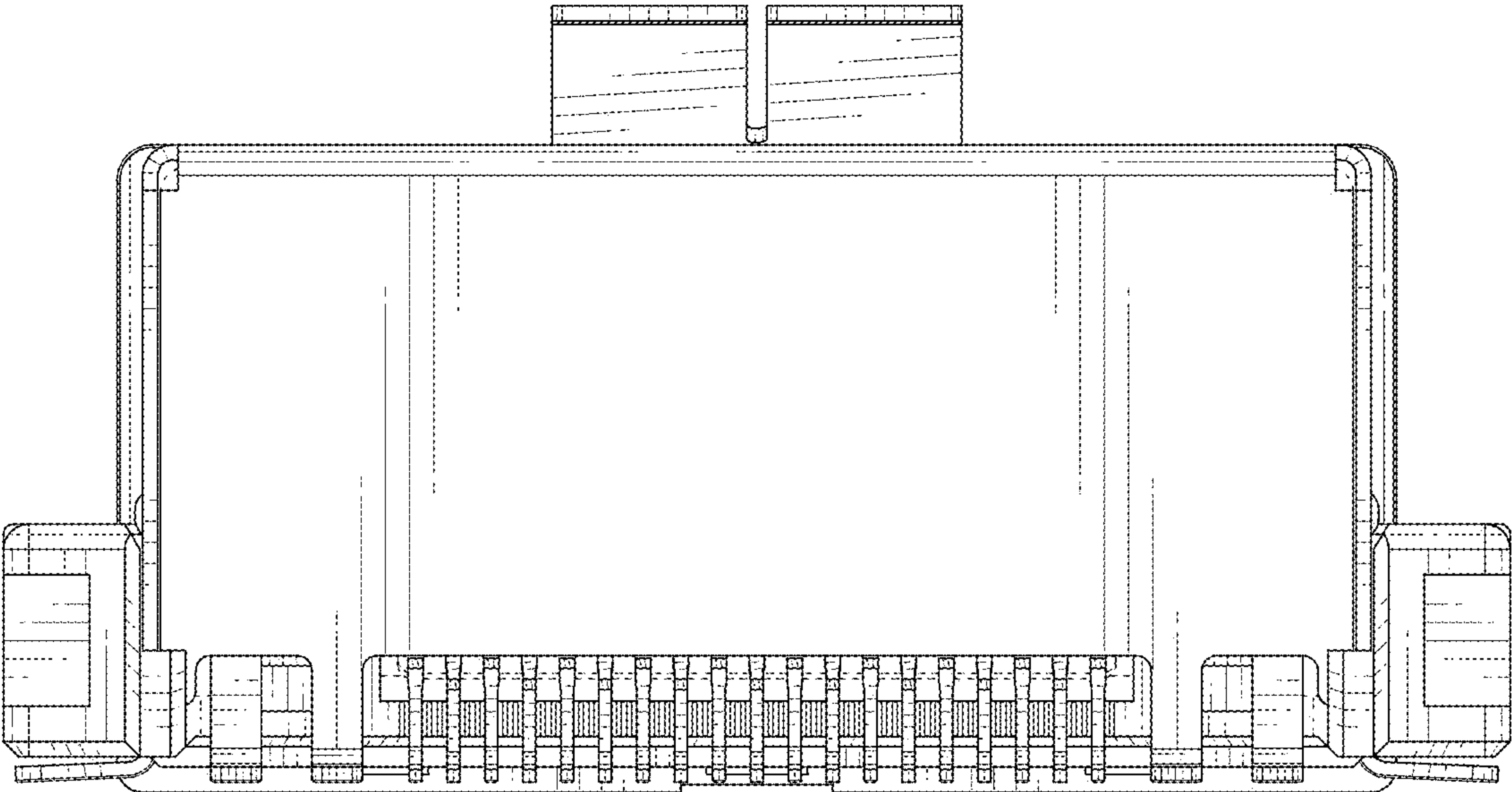


FIG. 2

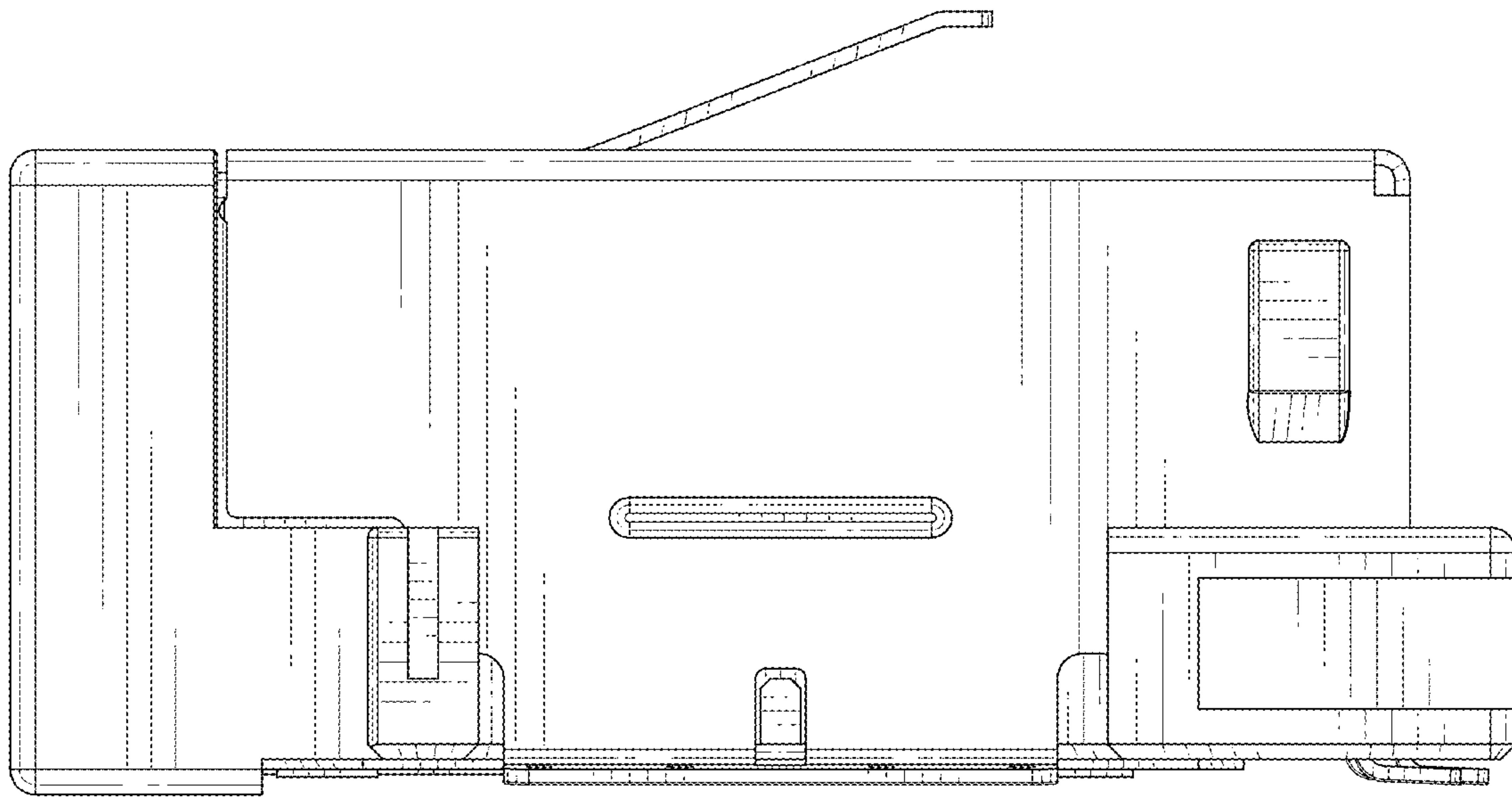


FIG. 3

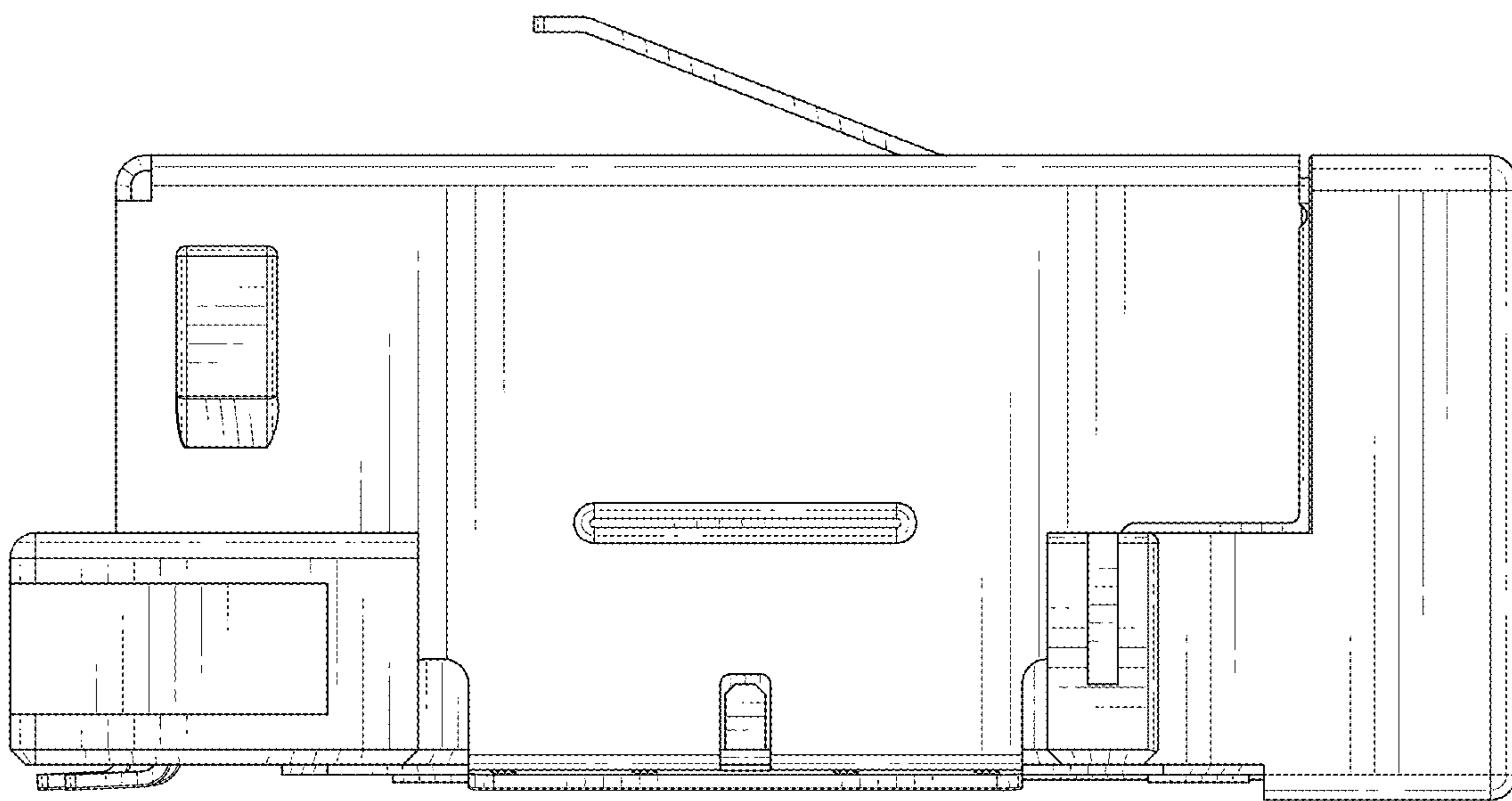


FIG. 4

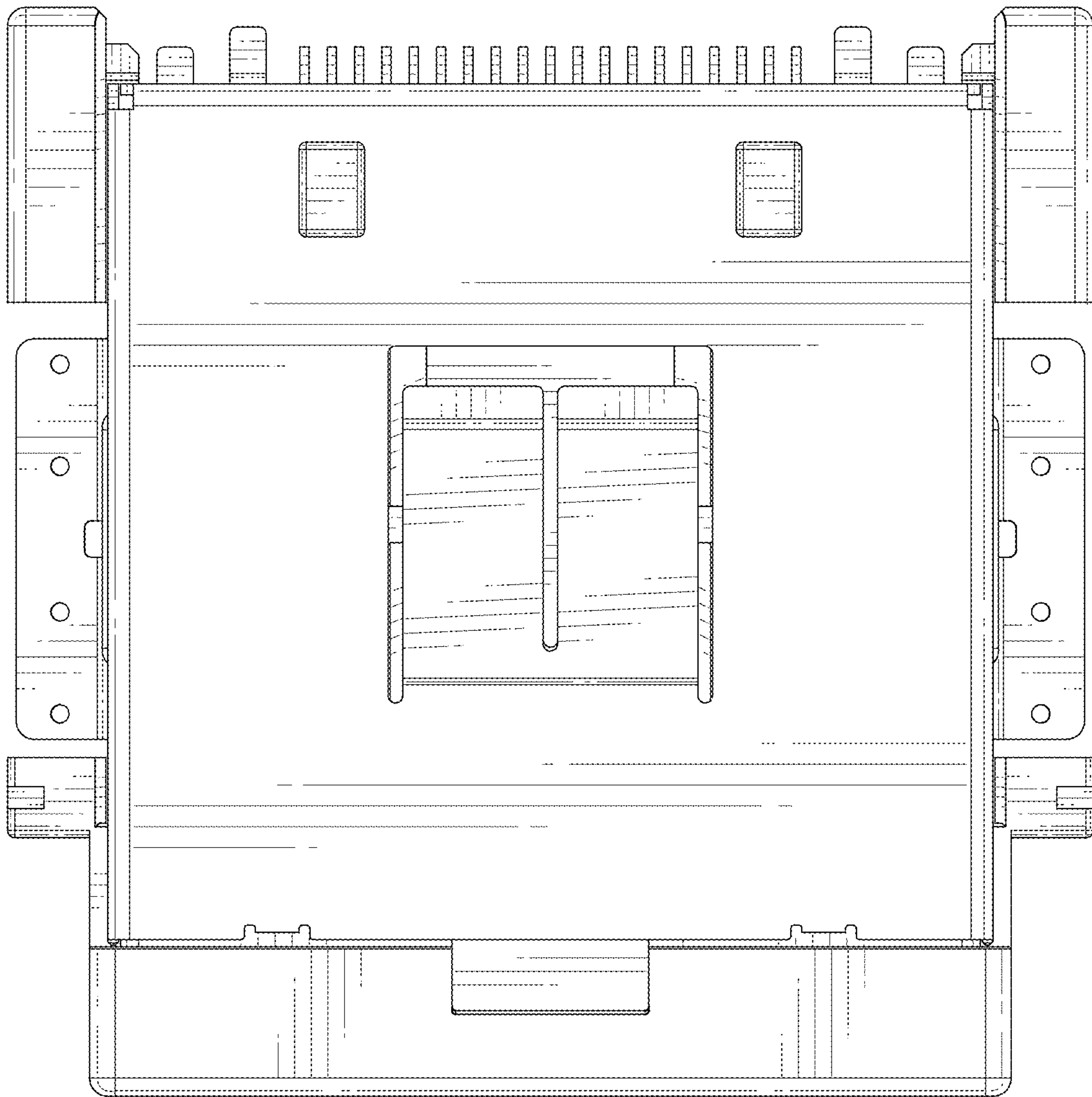


FIG. 5

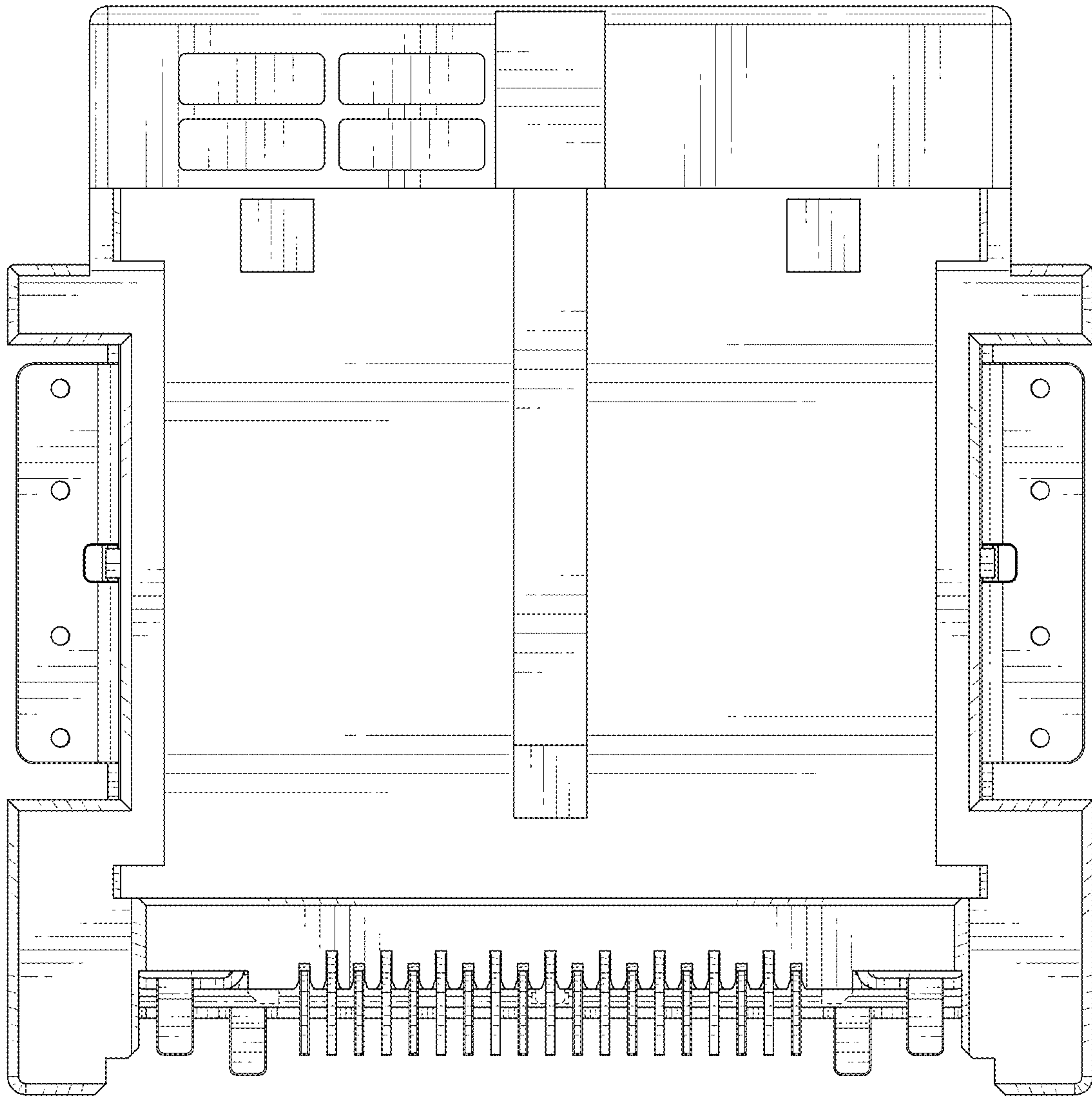


FIG. 6

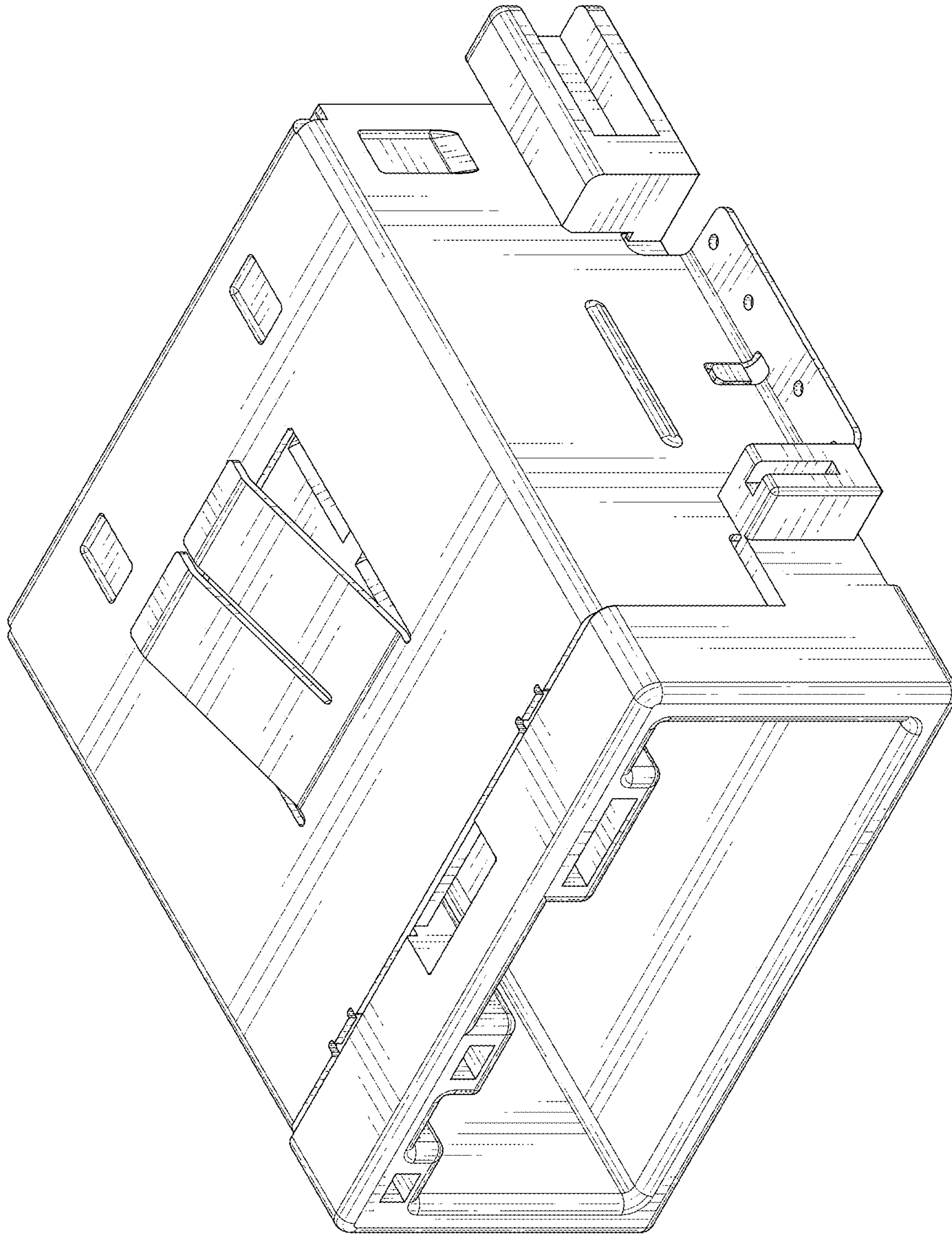


FIG. 7

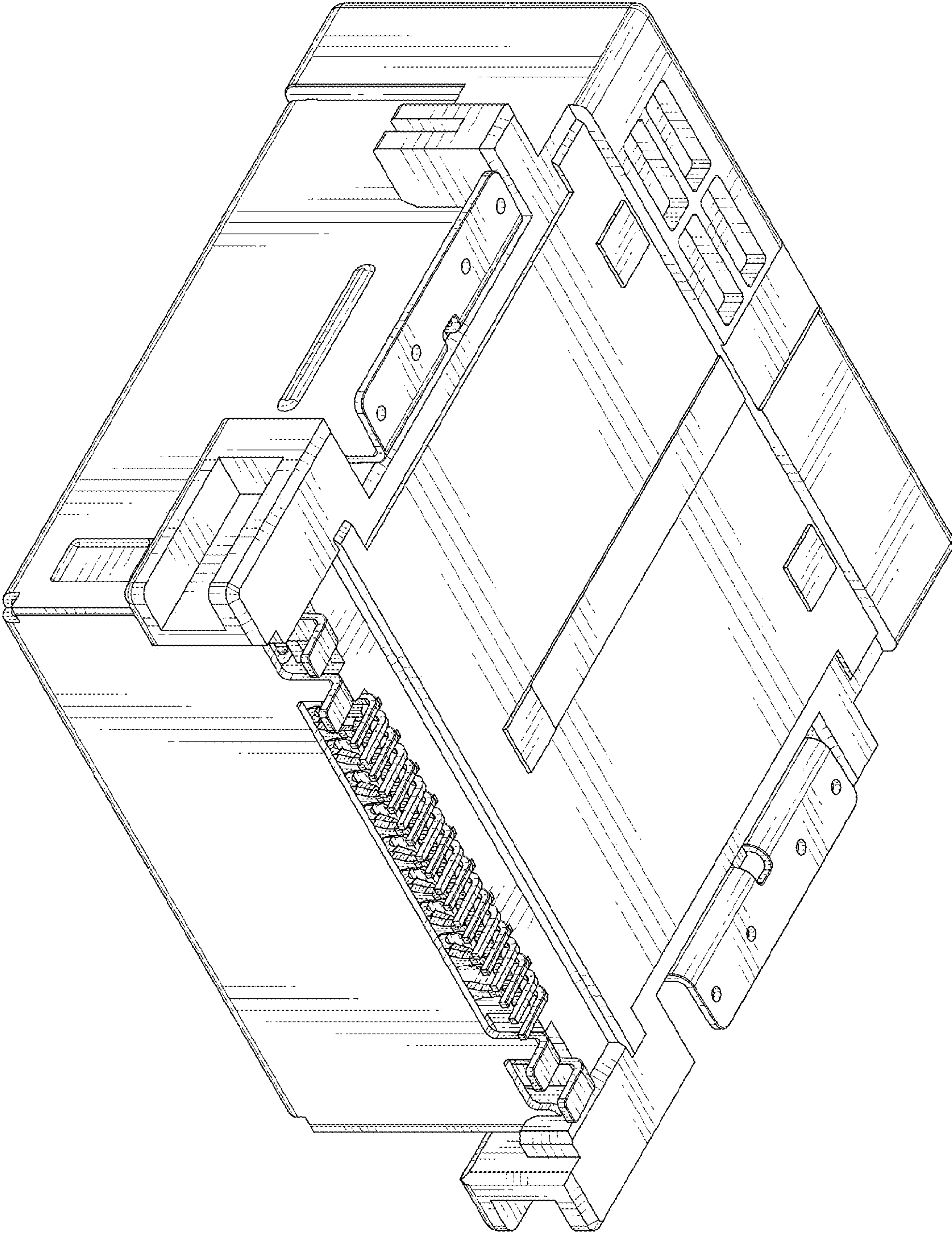


FIG. 8

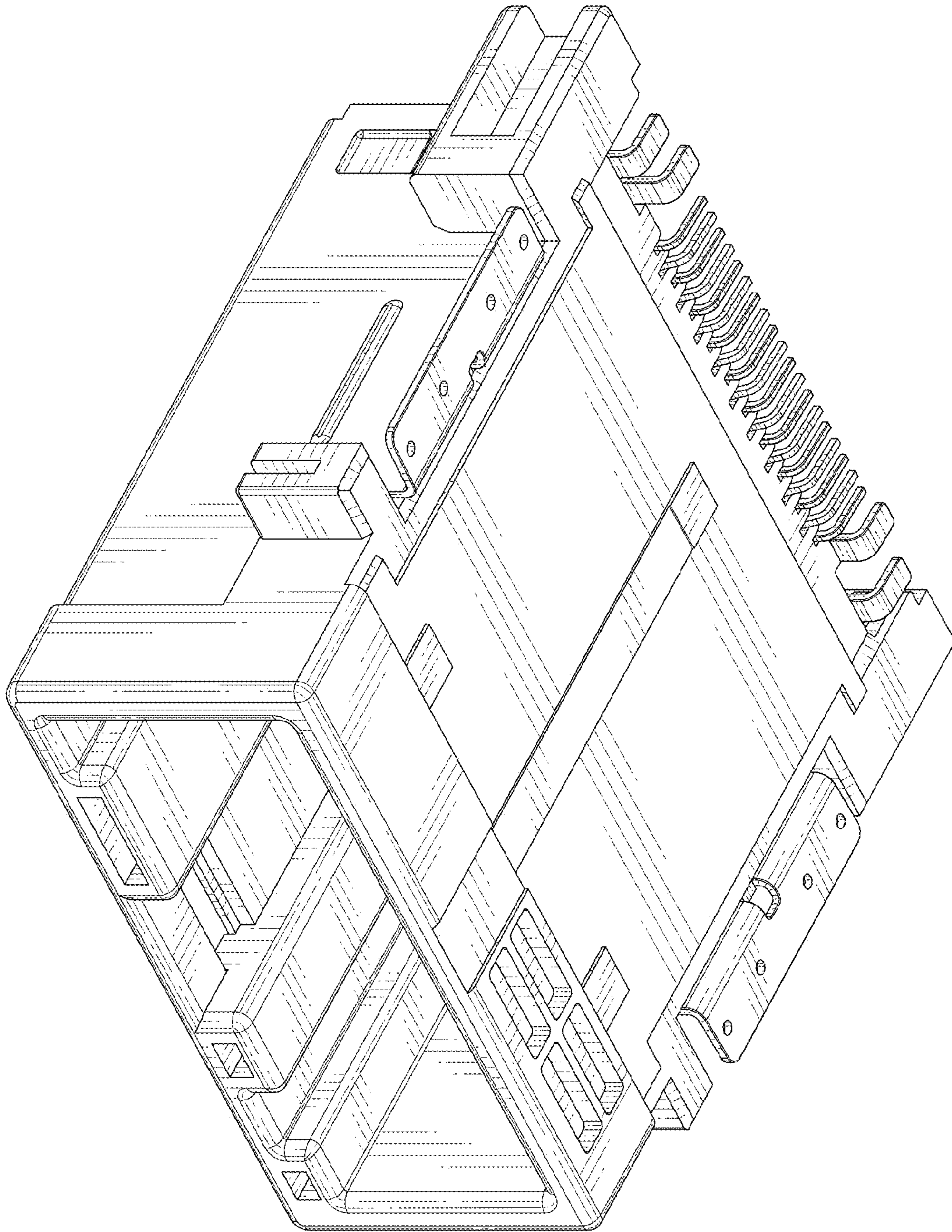


FIG. 9

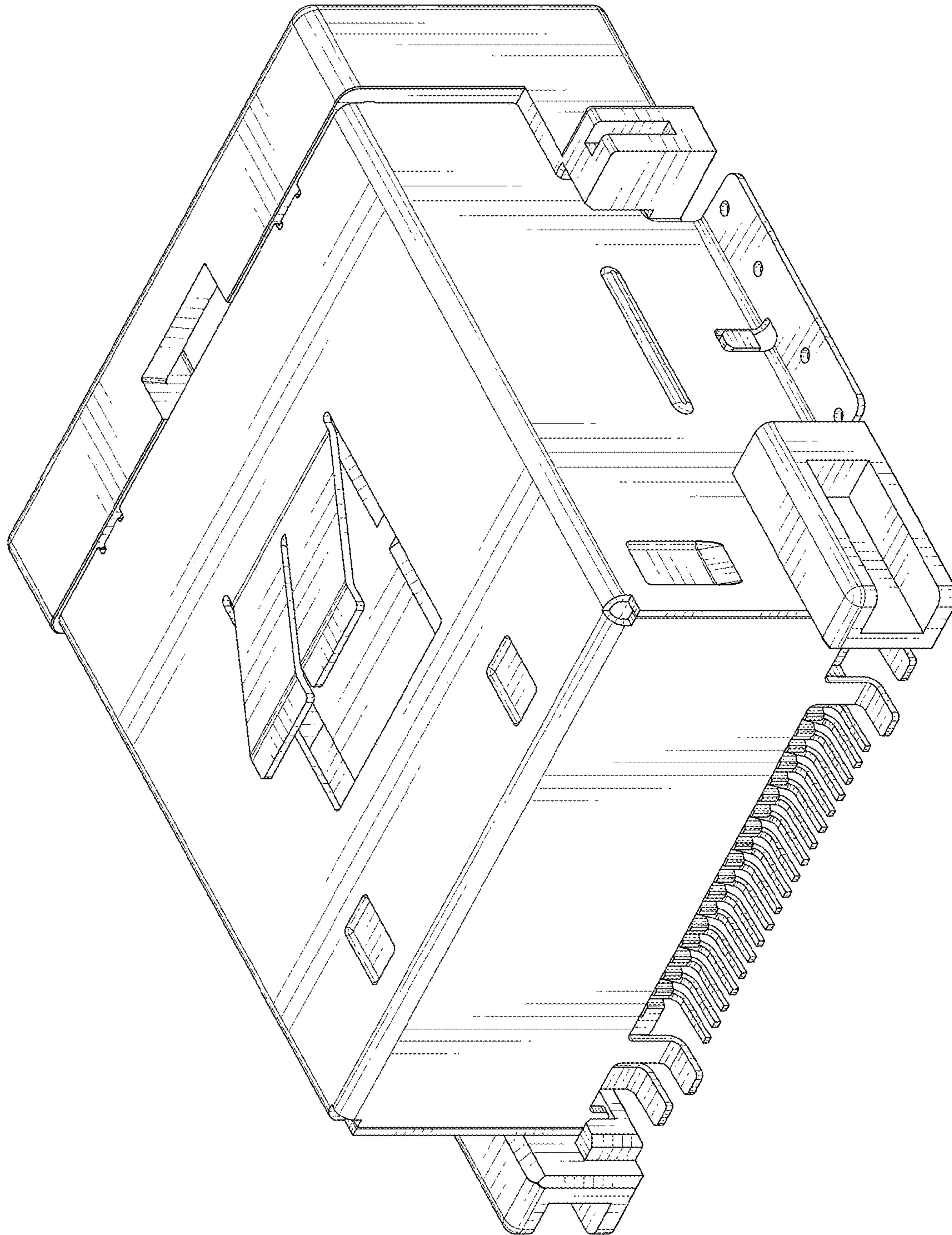


FIG. 10