



US00D979507S

(12) **United States Design Patent**
Comerci et al.

(10) **Patent No.:** **US D979,507 S**

(45) **Date of Patent:** **** Feb. 28, 2023**

(54) **CONNECTOR**

(71) Applicant: **Molex, LLC**, Lisle, IL (US)

(72) Inventors: **Joseph Comerci**, Lisle, IL (US); **Lay Khim Ang**, Republic of Singapore (SG); **Shivasharan Basavaraj Mahajanshetty**, Bengaluru (IN)

(73) Assignee: **Molex, LLC**, Lisle, IL (US)

(**) Term: **15 Years**

(21) Appl. No.: **29/674,640**

(22) Filed: **Dec. 21, 2018**

(51) **LOC (14) Cl.** **13-03**

(52) **U.S. Cl.**
USPC **D13/133; D13/154**

(58) **Field of Classification Search**
USPC D13/101, 107, 118, 123, 133, 146, 147,
D13/149, 153–155, 173, 184, 199
CPC G02B 6/38; H01R 13/40; H01R 13/58;
H01R 13/627; H01R 24/00; H01R 31/06
See application file for complete search history.

(56) **References Cited**

U.S. PATENT DOCUMENTS

D236,349	S	*	8/1975	Ahmed	D18/26
D330,540	S	*	10/1992	Tanaka	D13/147
5,186,633	A	*	2/1993	Mosser, III	H01R 12/724 439/83
D334,914	S		4/1993	Walter et al.		
5,595,509	A		1/1997	Fry et al.		
D425,869	S		5/2000	Yokomizo et al.		
D491,533	S	*	6/2004	Ko	D13/147
D491,895	S	*	6/2004	Lee	D13/147
D494,137	S		8/2004	Fang		
D494,141	S		8/2004	Spink, Jr.		
D502,448	S		3/2005	Wu		
D518,785	S	*	4/2006	Riku	D13/147
D518,787	S	*	4/2006	Mao	D13/147
D518,789	S	*	4/2006	Sakamaki	D13/147

D538,230	S	*	3/2007	Kudo	D13/147
D576,104	S	*	9/2008	Kasahara	D13/147
7,692,108	B1		4/2010	Larranaga et al.		

(Continued)

OTHER PUBLICATIONS

Molex—Product Spotlight—CP-6.5 Wire-to-Board Connector System, [online], [site visited Apr. 18, 2022]. Available from Internet, URL: https://www.youtube.com/watch?v=qEyBZgVH8h0&list=PLGycMAbV21_N5sXFEHGQ2xC7bExx-gqZ3&index=110 (Year: 2015).*

(Continued)

Primary Examiner — Shawn T Gingrich

(74) *Attorney, Agent, or Firm* — Banner & Witcoff, Ltd.

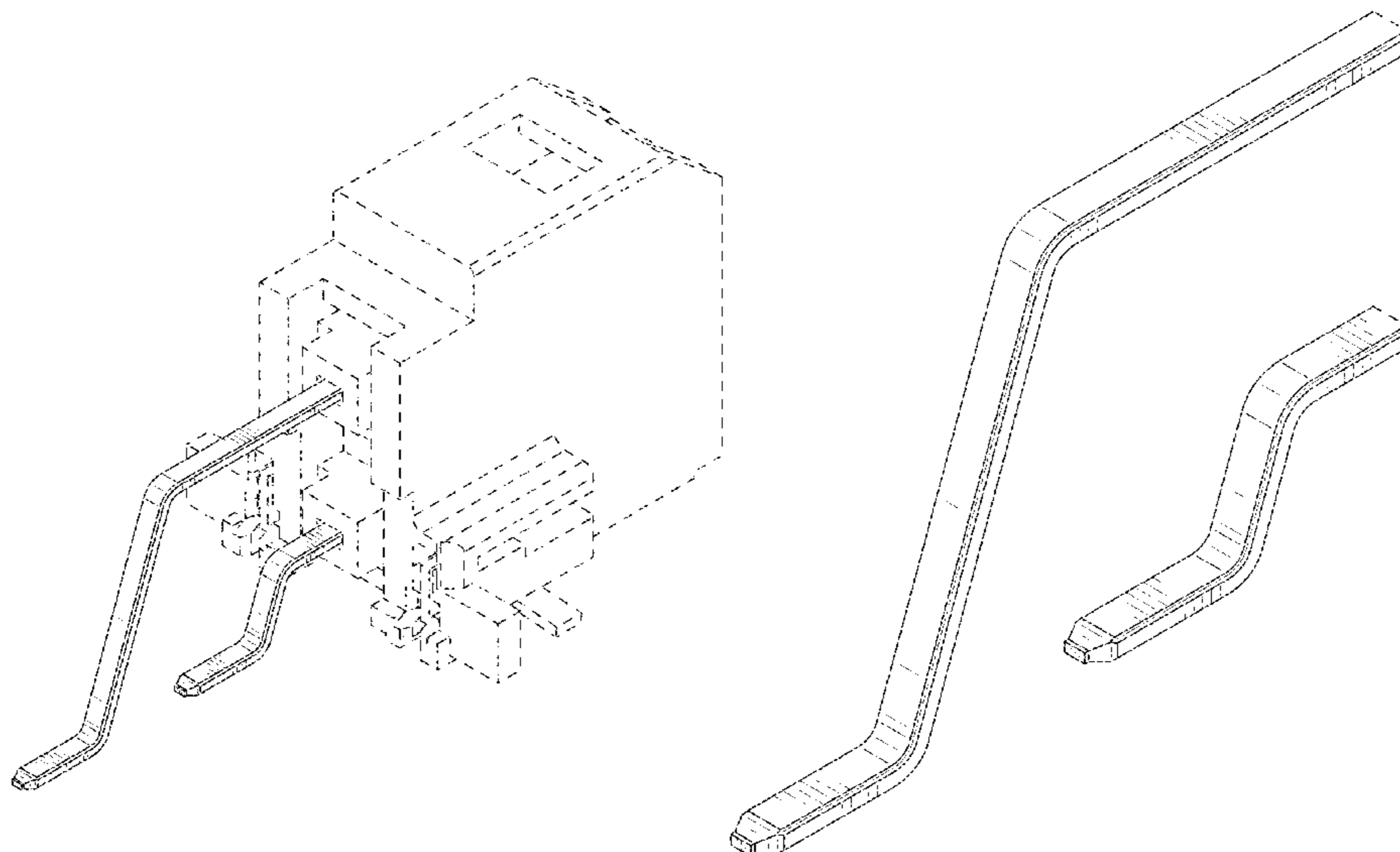
(57) **CLAIM**

The ornamental design for a connector, as shown and described.

DESCRIPTION

FIG. 1 is a front perspective view of a connector showing our new design;
FIG. 2 is a rear perspective view thereof;
FIG. 3 is a front view thereof;
FIG. 4 is a rear view thereof;
FIG. 5 is a right side view thereof;
FIG. 6 is a left side view thereof;
FIG. 7 is a top view thereof;
FIG. 8 is a bottom view thereof; and,
FIG. 9 is an enlarged view of one of the contact members as shown in FIG. 1 with environment removed for clarity purposes.
The broken lines immediately adjacent to the shaded areas represents the bounds of the claimed design and form no part thereof. The broken lines depicting the remainder of the connector show features that form no part of the claimed design.

1 Claim, 9 Drawing Sheets



(56)

References Cited

U.S. PATENT DOCUMENTS

D645,822	S	9/2011	Bachinski	
D649,512	S	11/2011	Shimoji et al.	
D722,565	S	2/2015	Teramoto	
D770,983	S *	11/2016	Sato	D13/147
D791,080	S	7/2017	Li et al.	
D791,704	S	7/2017	Li et al.	
D792,853	S	7/2017	Li et al.	
D864,865	S	10/2019	Mouchet	
D882,519	S	4/2020	Mahajanshetty et al.	
10,777,934	B2	9/2020	Yi et al.	
D897,964	S *	10/2020	Kuroiwa	D13/147
D906,973	S	1/2021	Thyagaraj et al.	
D906,974	S	1/2021	Thyagaraj et al.	
D906,984	S	1/2021	Ganamukhi et al.	
D907,577	S	1/2021	Ganamukhi et al.	
D911,963	S	3/2021	Ganamukhi et al.	
D924,142	S	7/2021	Thyagaraj et al.	
D943,534	S *	2/2022	Shimomaki	D13/147
2002/0034896	A1 *	3/2002	Slack	H01R 12/716 439/701
2015/0044916	A1 *	2/2015	Beck	H01R 43/16 29/874
2016/0064846	A1 *	3/2016	Tadokoro	H01R 13/035 439/886
2018/0277990	A1	9/2018	Ho	
2019/0245290	A1 *	8/2019	Hung	H01R 12/58
2020/0212635	A1 *	7/2020	Chen	H01R 13/6471
2021/0098917	A1 *	4/2021	Teramoto	H01R 13/642
2022/0059977	A1 *	2/2022	Zaderej	H01R 43/24
2022/0115821	A1 *	4/2022	Huang	H01R 13/6471

OTHER PUBLICATIONS

Molex; “CP-6.5 Header, 6.50mm Pitch, Dual Row, Vertical, Polarized, Positive Lock, Tray Packaging, 2 Circuits, Natural (White)”; Publication date unknown but prior to filing date of present application; Date Accessed: Dec. 18, 2018; URL: <<https://www.molex.com/molex/products/datasheet.jsp?part=active/1510481211_PCB_HEADERS.xml>>.

Molex; “CP-6.5 Header, 6.50mm Pitch, Dual Row, Vertical, Polarized, Positive Lock, Tray Packaging, 4 Circuits, Natural (White)”; Publication date unknown but prior to filing date of present application; Date Accessed: Dec. 18, 2018; URL: <<https://www.molex.com/molex/products/datasheet.jsp?part=active/1510481411_PCB_HEADERS.xml&channel=Products&Lang=en-US>>.

Molex; “CP-6.5 Header, 6.50mm Pitch, Dual Row, Vertical, Polarized, Positive Lock, Tray Packaging, 6 Circuits, Natural (White)”; Publication date unknown but prior to filing date of present application; Date Accessed: Dec. 18, 2018; URL: <<https://www.molex.com/molex/products/datasheet.jsp?part=active/1510481611_PCB_HEADERS.xml&channel=Products&Lang=en-US>>.

Molex “CP 3.3 W/W Dual Row Rec. Housing”, Publication Date: Nov. 22, 2017, Date Accessed: Jan. 15, 2020. URL: <https://www.molex.com/pdm_docs/sd/5056050402_sd.pdf>.

Molex—Product Spotlight—CP-6.5 Wire-to-Board Connector System, dated Jul. 9, 2015, [online], [site visited Apr. 19, 2022]. Available from Internet, URL: <https://www.youtube.com/watch?v=qEyZgVH8h0> (Year: 2015).

* cited by examiner

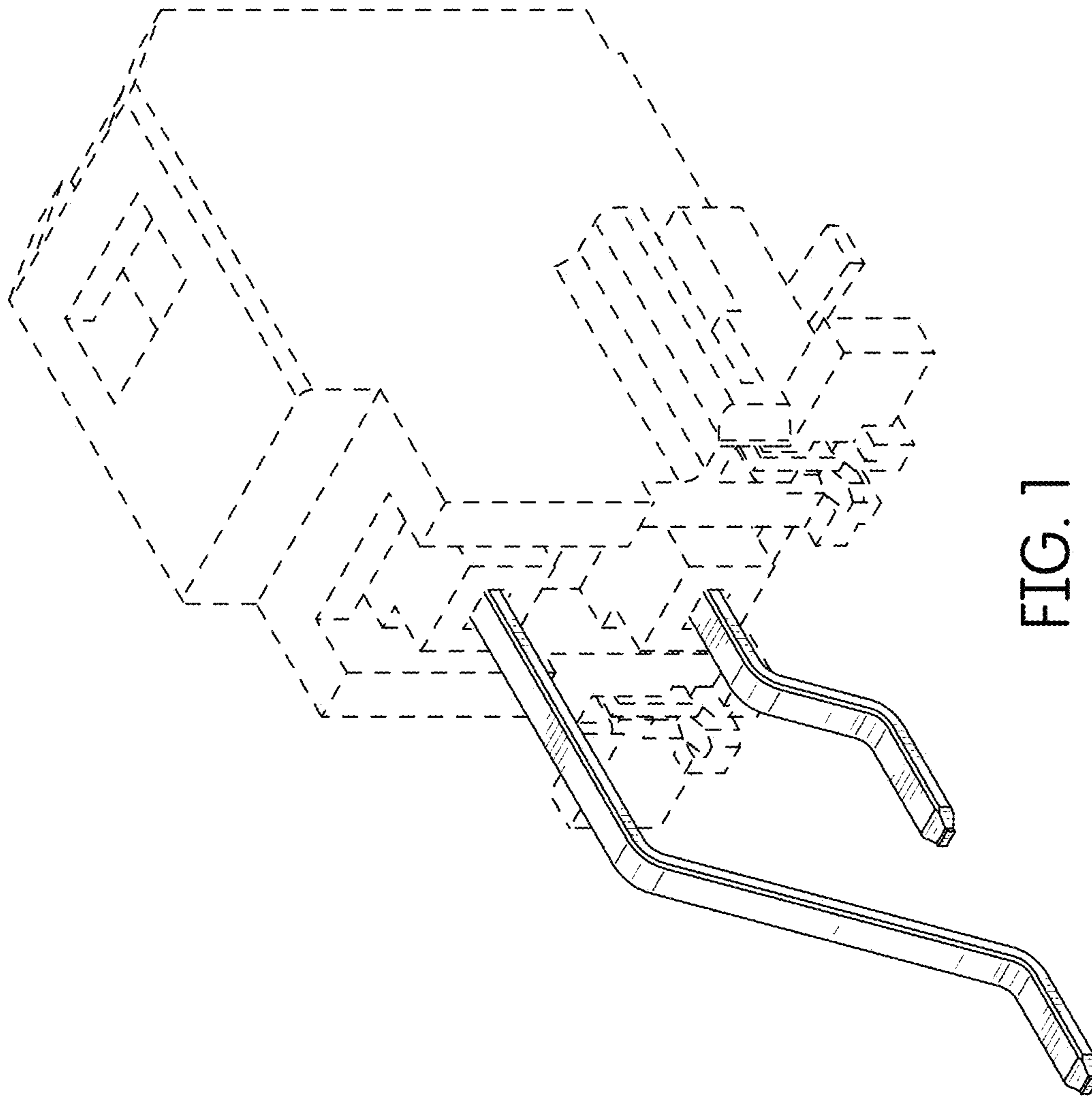


FIG. 1

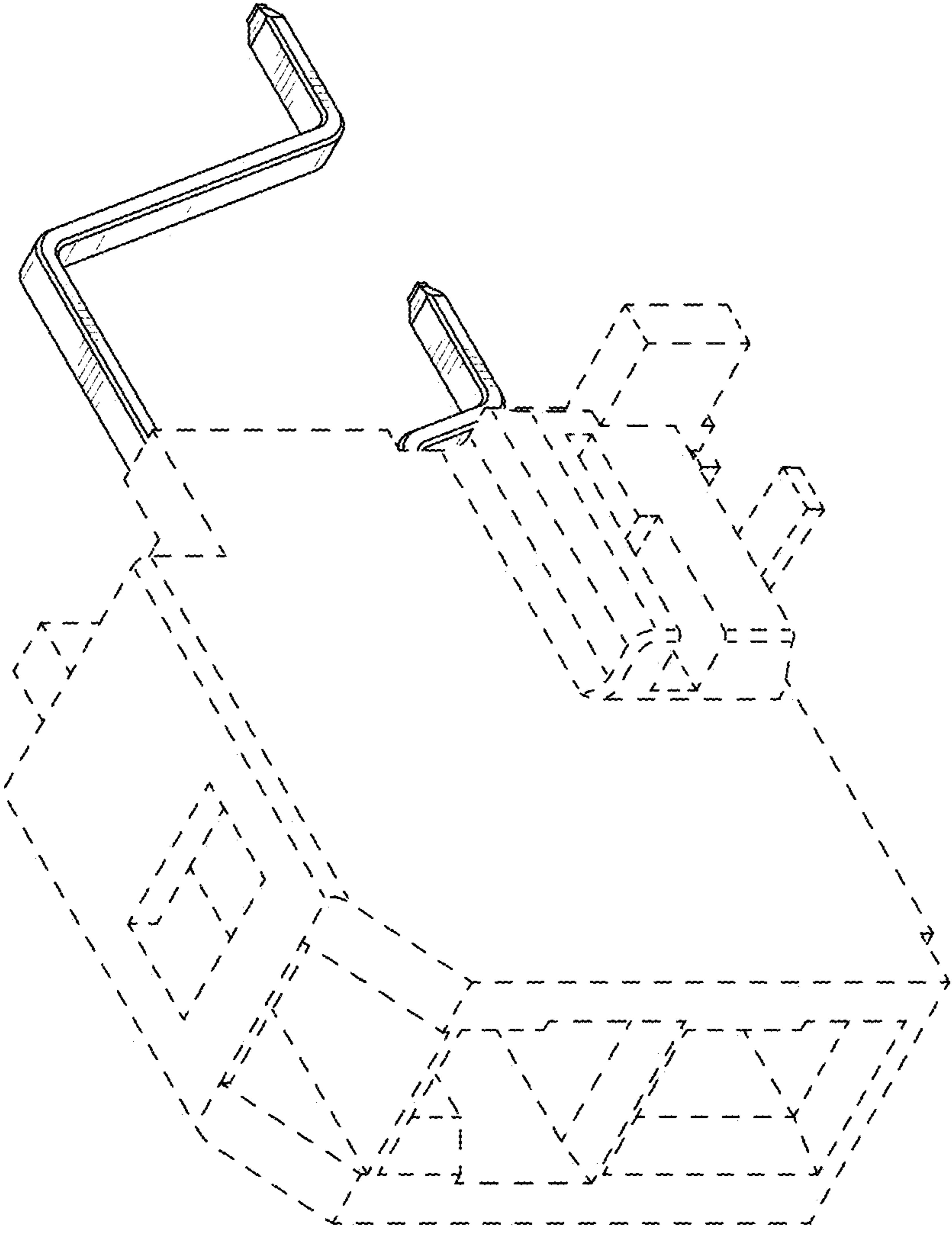


FIG. 2

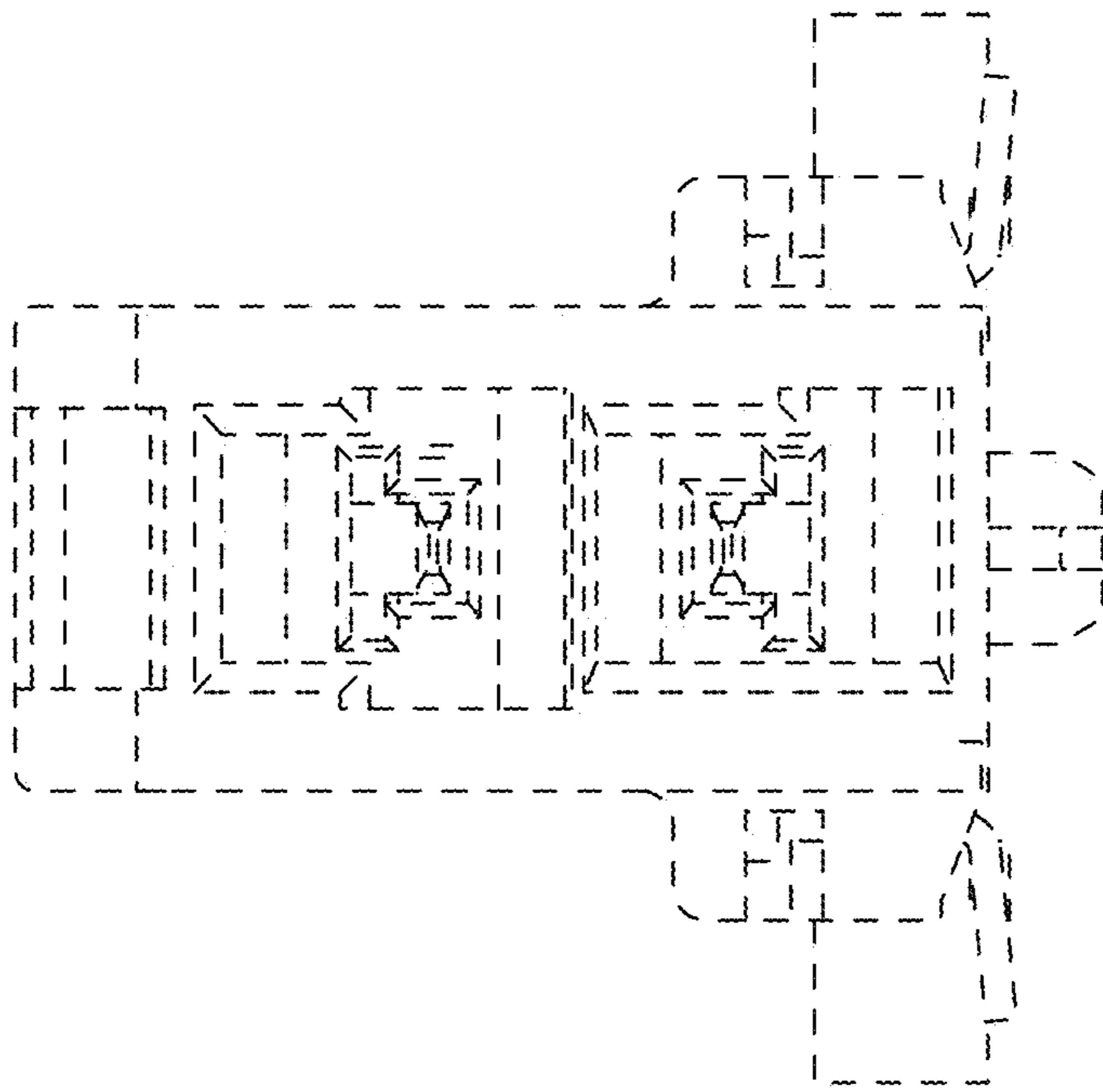


FIG. 3

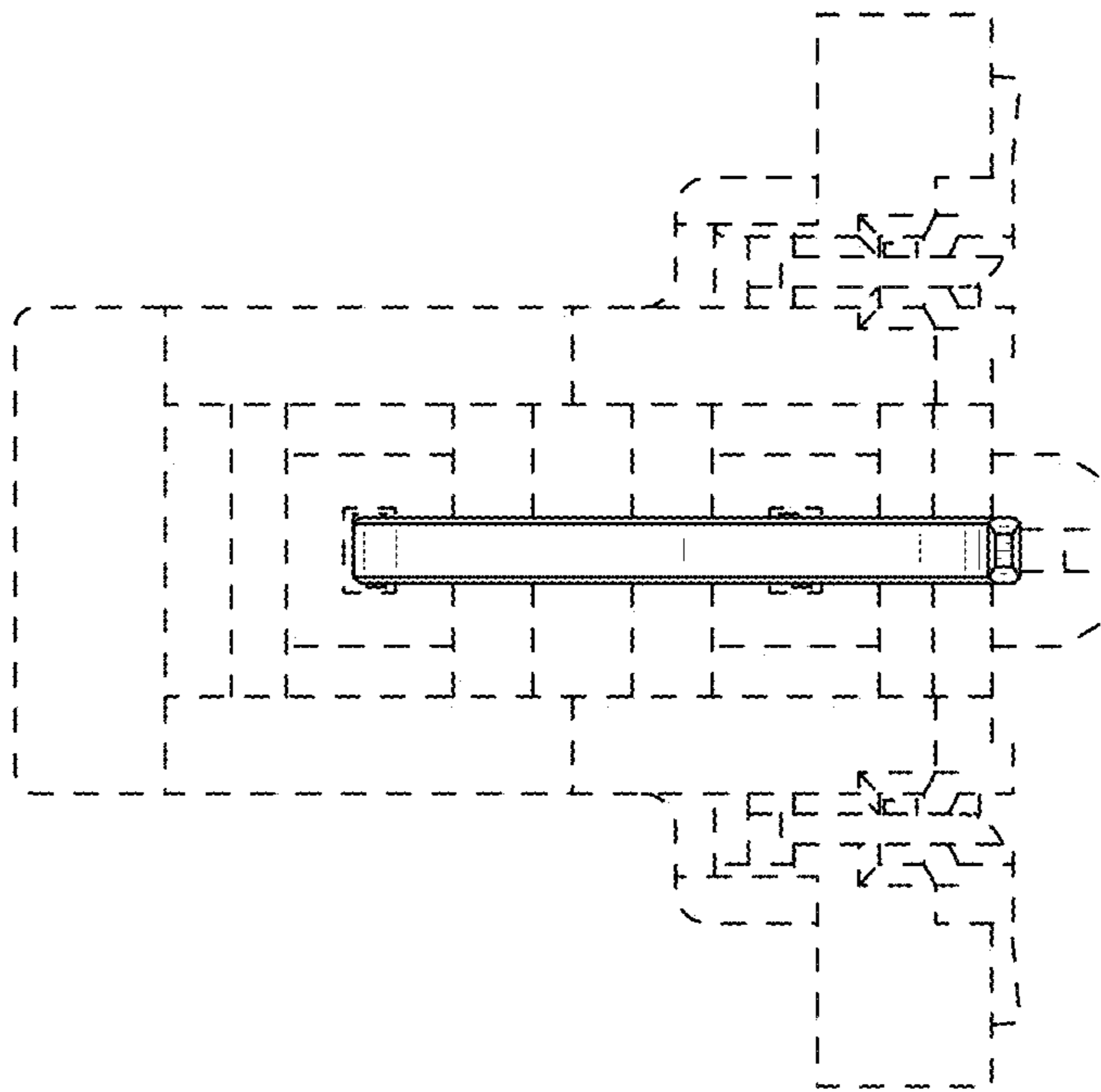


FIG. 4

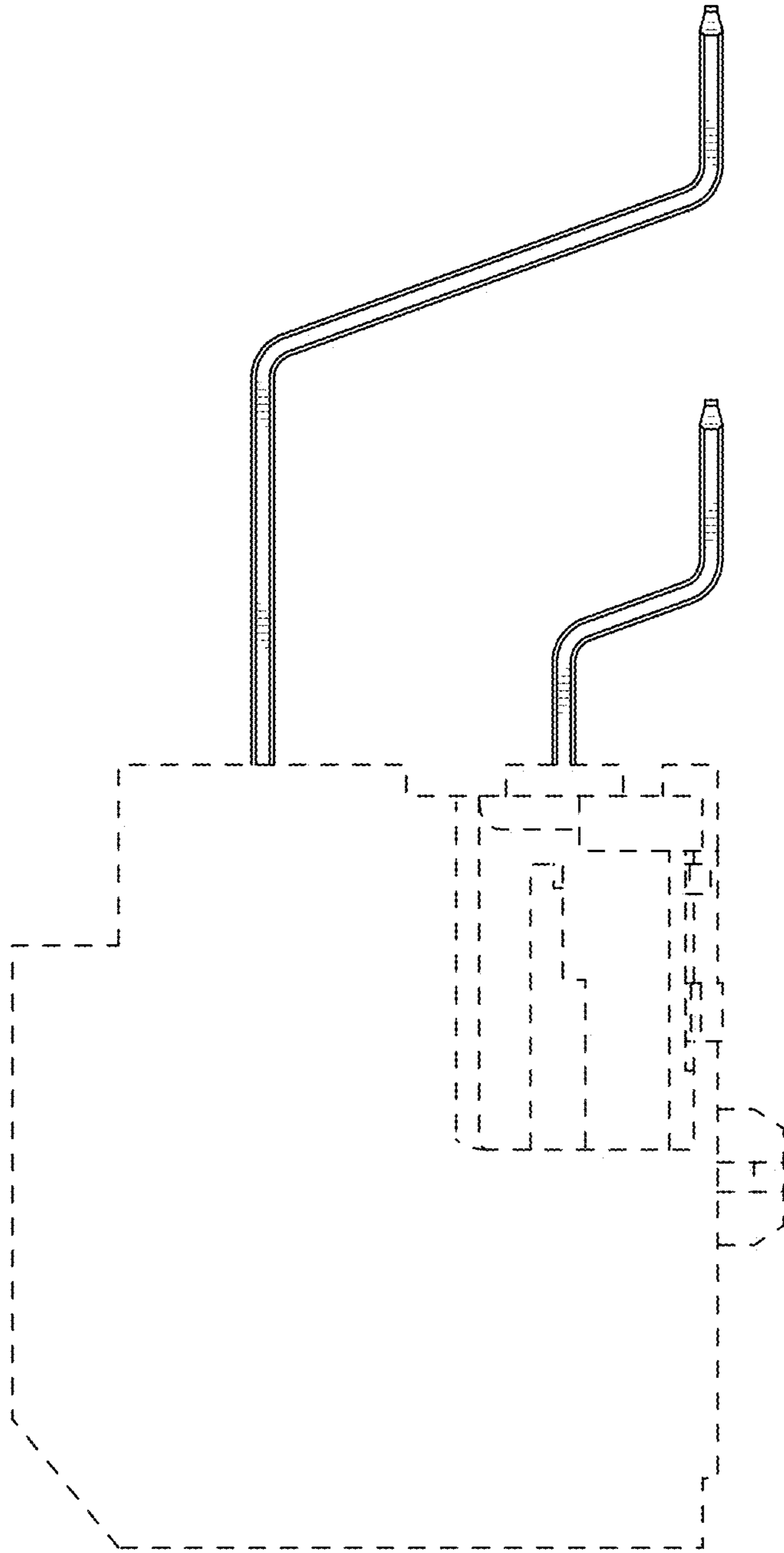


FIG. 5

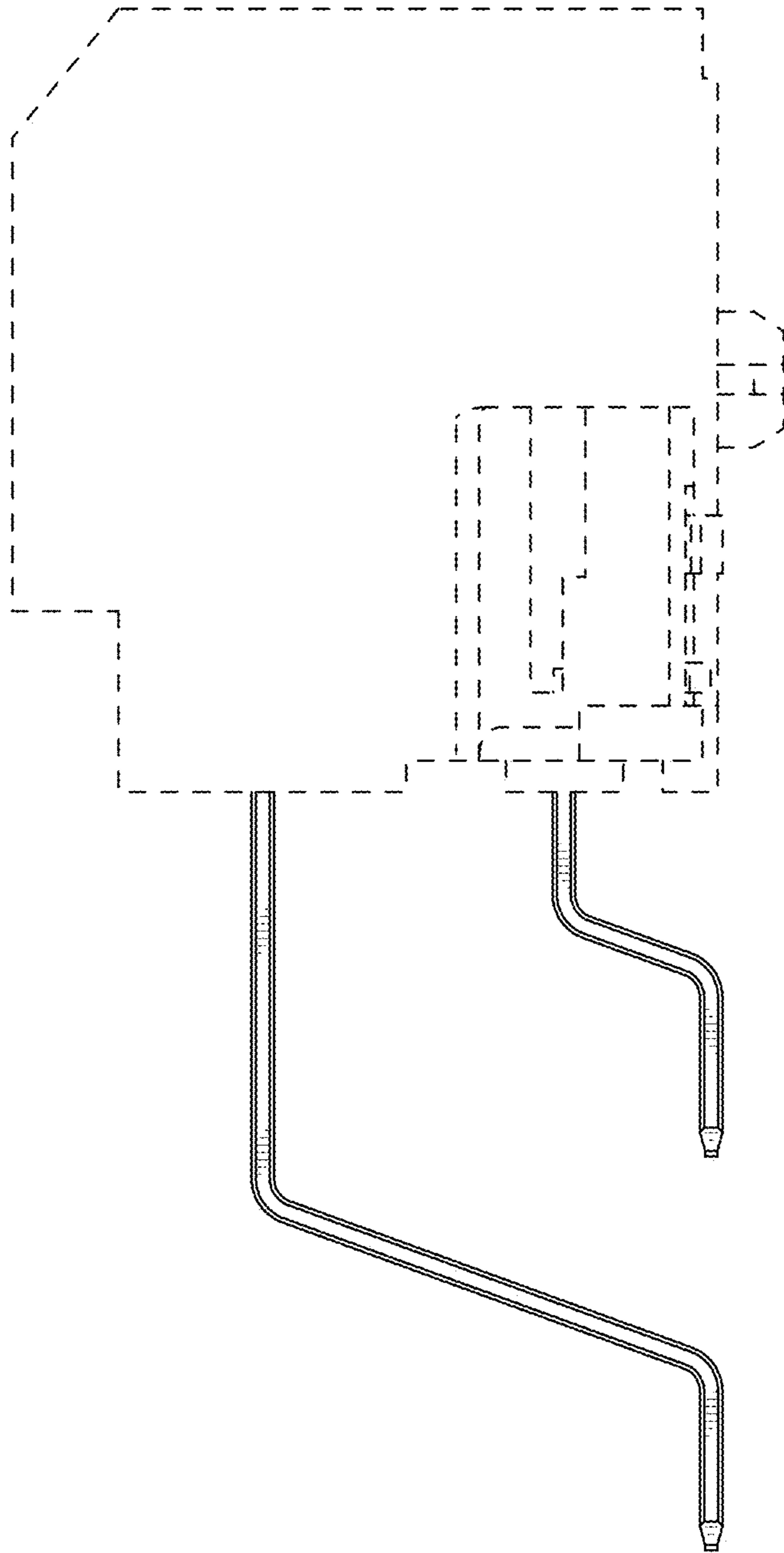


FIG. 6

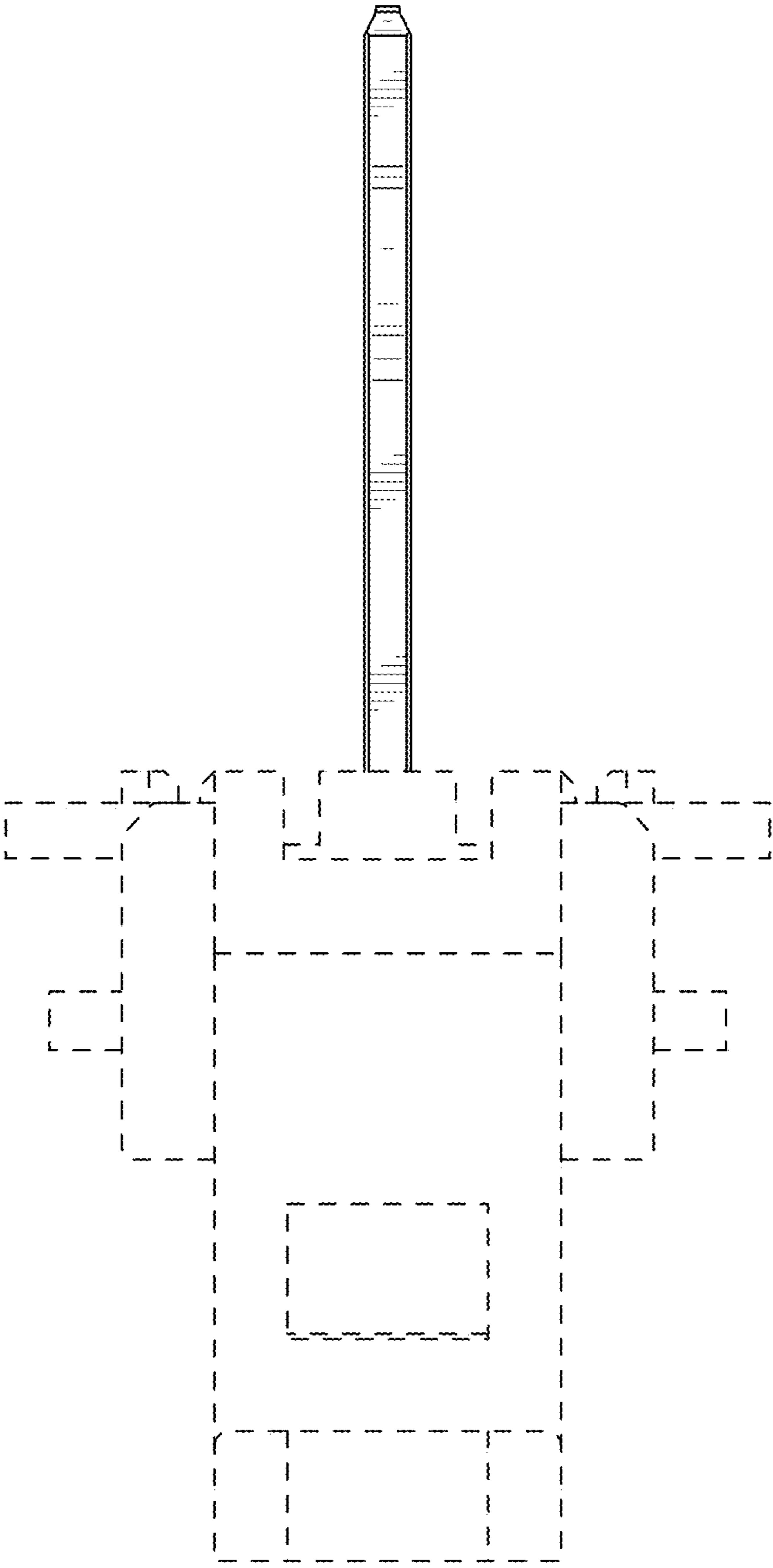


FIG. 7

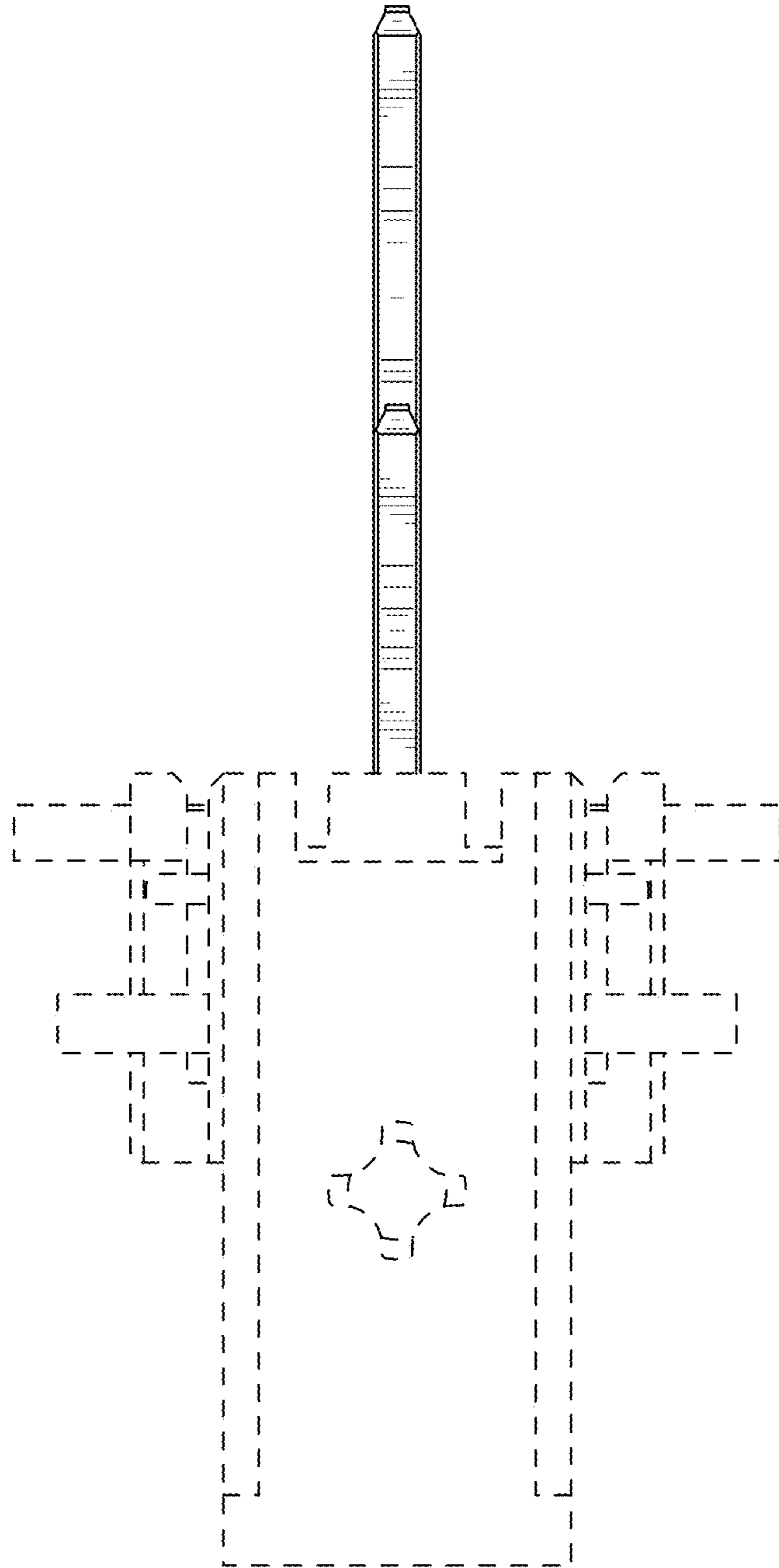


FIG. 8

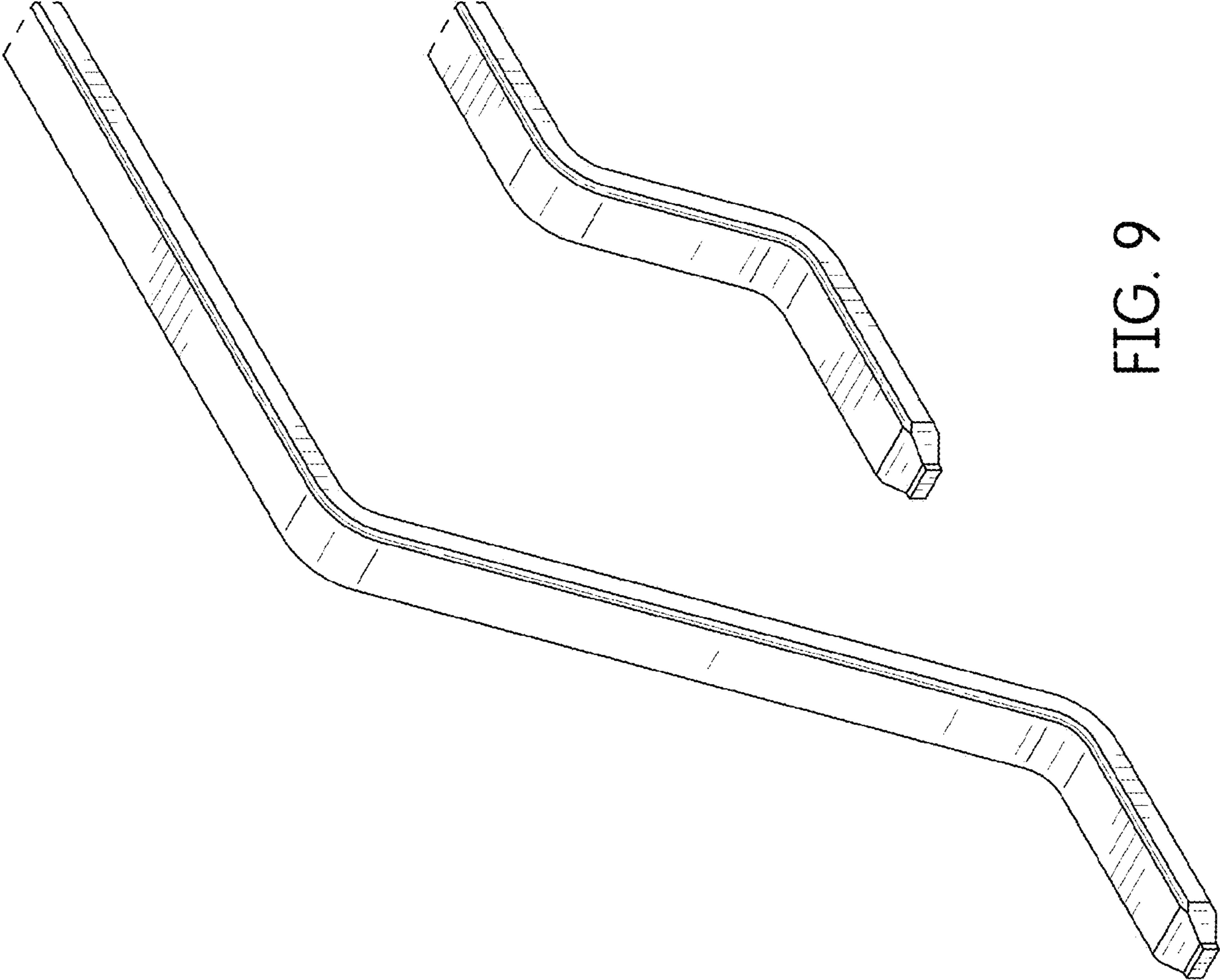


FIG. 9