



US00D979504S

(12) **United States Design Patent**
Buono

(10) **Patent No.:** **US D979,504 S**
(45) **Date of Patent:** **** Feb. 28, 2023**

- (54) **INDUCTOR CORE WITH COIL**
- (71) Applicant: **Crestron Electronics, Inc.**
- (72) Inventor: **Robert Buono**, Ringwood, NJ (US)
- (73) Assignee: **Crestron Electronics, Inc.**, Rockleigh, NJ (US)
- (**) Term: **15 Years**
- (21) Appl. No.: **29/801,333**
- (22) Filed: **Jul. 28, 2021**

D442,547 S *	5/2001	Takebuchi	D13/117
6,617,948 B2 *	9/2003	Kuroshima	H01F 27/34
				336/83
D550,622 S *	9/2007	Shih	D13/118
D586,745 S *	2/2009	Shibata	D13/117
7,489,225 B2 *	2/2009	Dadafshar	H01F 27/255
				336/223
7,821,369 B2 *	10/2010	Sano	H01F 17/045
				336/84 M
9,536,653 B2 *	1/2017	Yamada	H01F 41/071
2008/0078474 A1 *	4/2008	Naito	H01F 1/15308
				148/304
2018/0315542 A1 *	11/2018	Hayashi	H01F 27/2823

* cited by examiner

Related U.S. Application Data

- (63) Continuation of application No. 16/436,390, filed on Jun. 10, 2019.
- (51) **LOC (14) Cl.** **13-02**
- (52) **U.S. Cl.**
USPC **D13/117**
- (58) **Field of Classification Search**
USPC D13/101, 110, 117, 118, 122, 133, 179,
D13/183, 199; D21/386, 484, 491, 497,
D21/500, 503
CPC H01F 27/02; H01F 27/04; H01F 27/24;
H01F 27/26; H01F 27/28; H01F 27/29;
H01F 27/245; H01F 27/263; H01F
27/292; H01F 27/325; H01F 41/06; H01F
41/076; H01F 41/0233; H01F 41/0246;
H02K 5/16; H02M 3/28
See application file for complete search history.

References Cited

U.S. PATENT DOCUMENTS

D330,189 S *	10/1992	Burrow	D13/118
6,114,932 A *	9/2000	Wester	H01F 27/29
				336/200

Primary Examiner — Derrick E Holland

(74) *Attorney, Agent, or Firm* — Crestron Electronics, Inc.

(57) **CLAIM**

The ornamental design for an inductor core with coil, as shown and described.

DESCRIPTION

FIG. 1 illustrates a front perspective view of an inductor core with coil showing the new design.

FIG. 2 illustrates a front view of the inductor core with coil of FIG. 1.

FIG. 3 illustrates a back view of the inductor core with coil of FIG. 1.

FIG. 4 illustrates a top view of the inductor core with coil of FIG. 1.

FIG. 5 illustrates a bottom view of the inductor core with coil of FIG. 1.

FIG. 6 illustrates a left side view of the inductor core with coil of FIG. 1; and,

FIG. 7 illustrates a right side view of the inductor core with coil of FIG. 1.

1 Claim, 2 Drawing Sheets

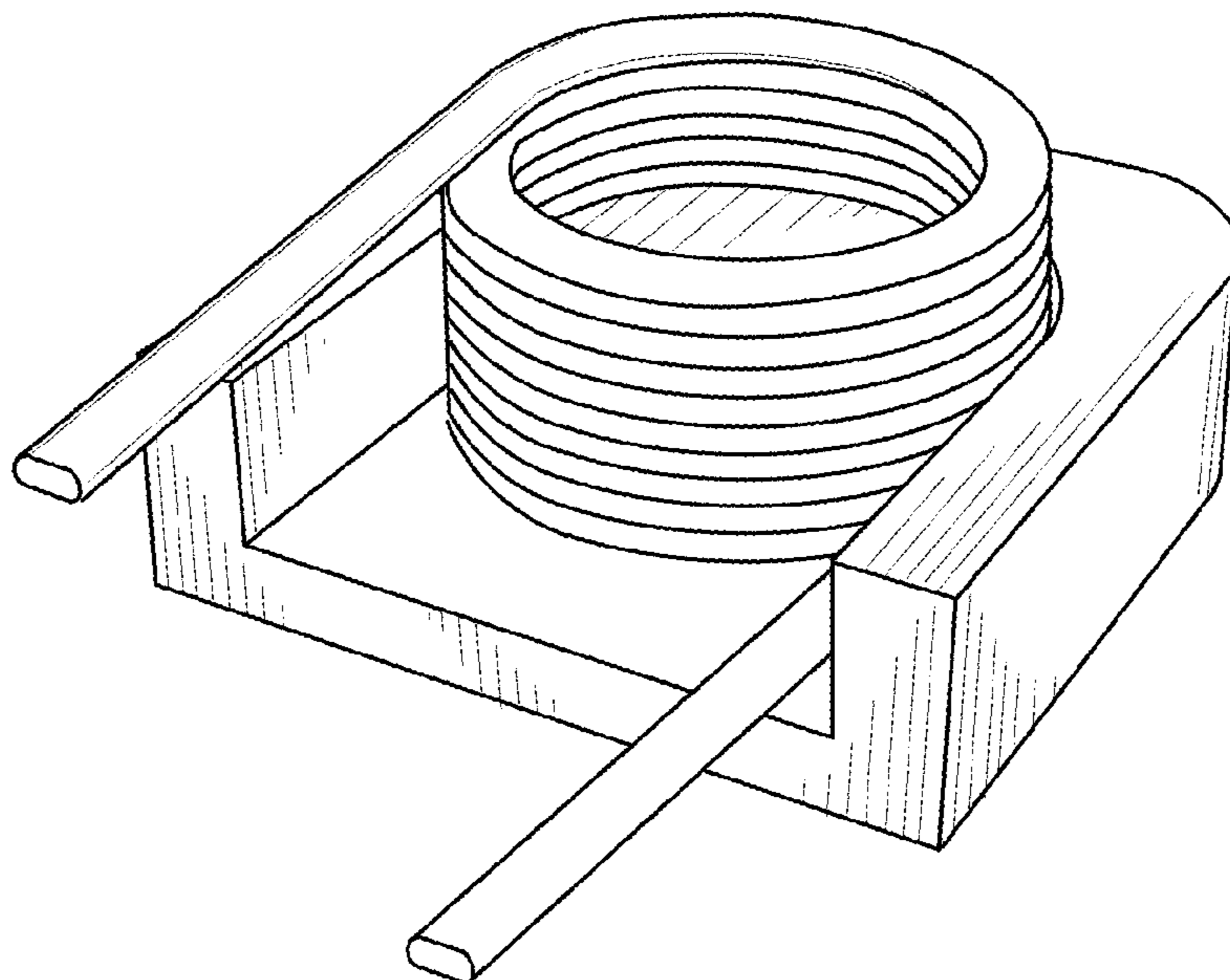


FIG. 1

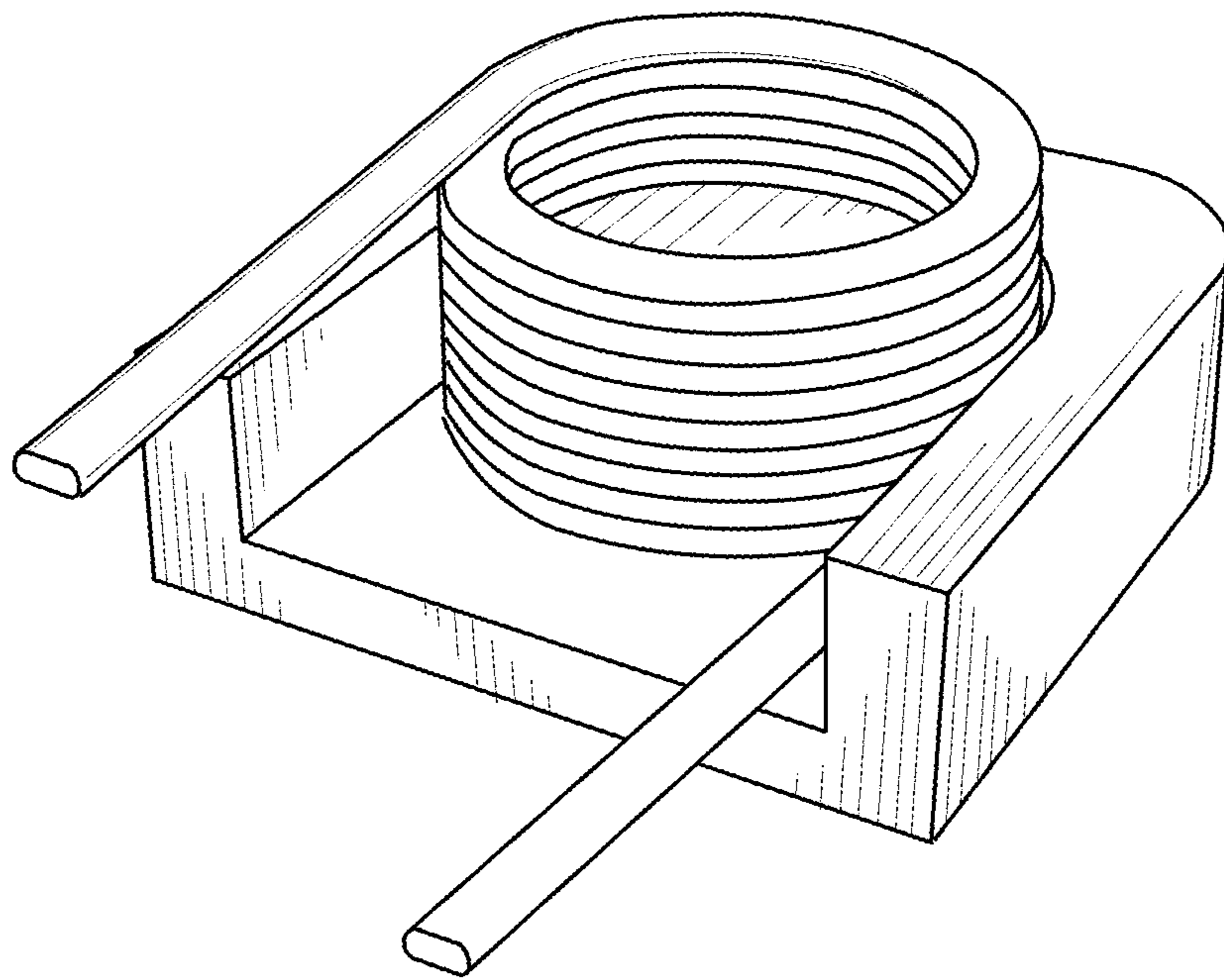


FIG. 2

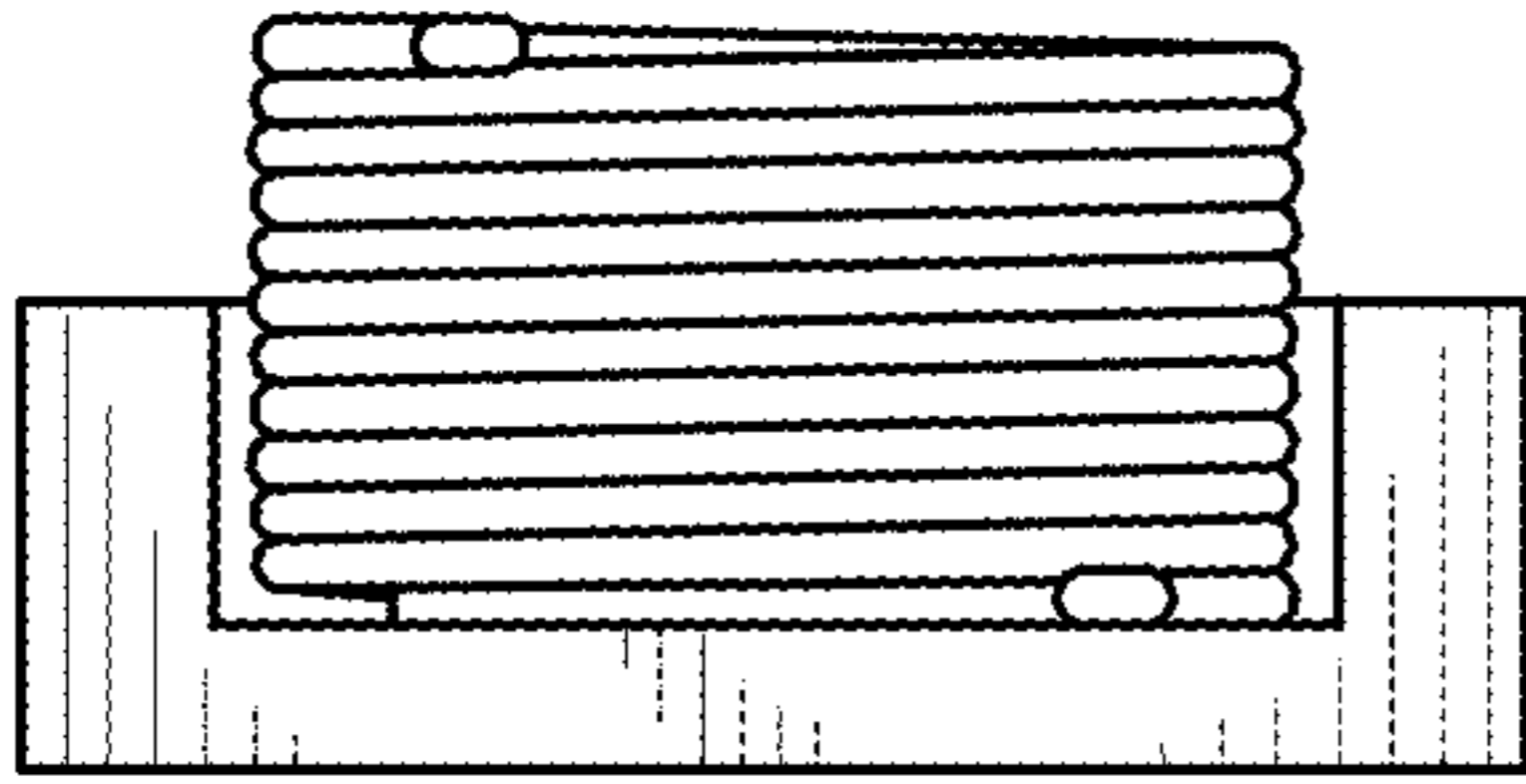


FIG. 3

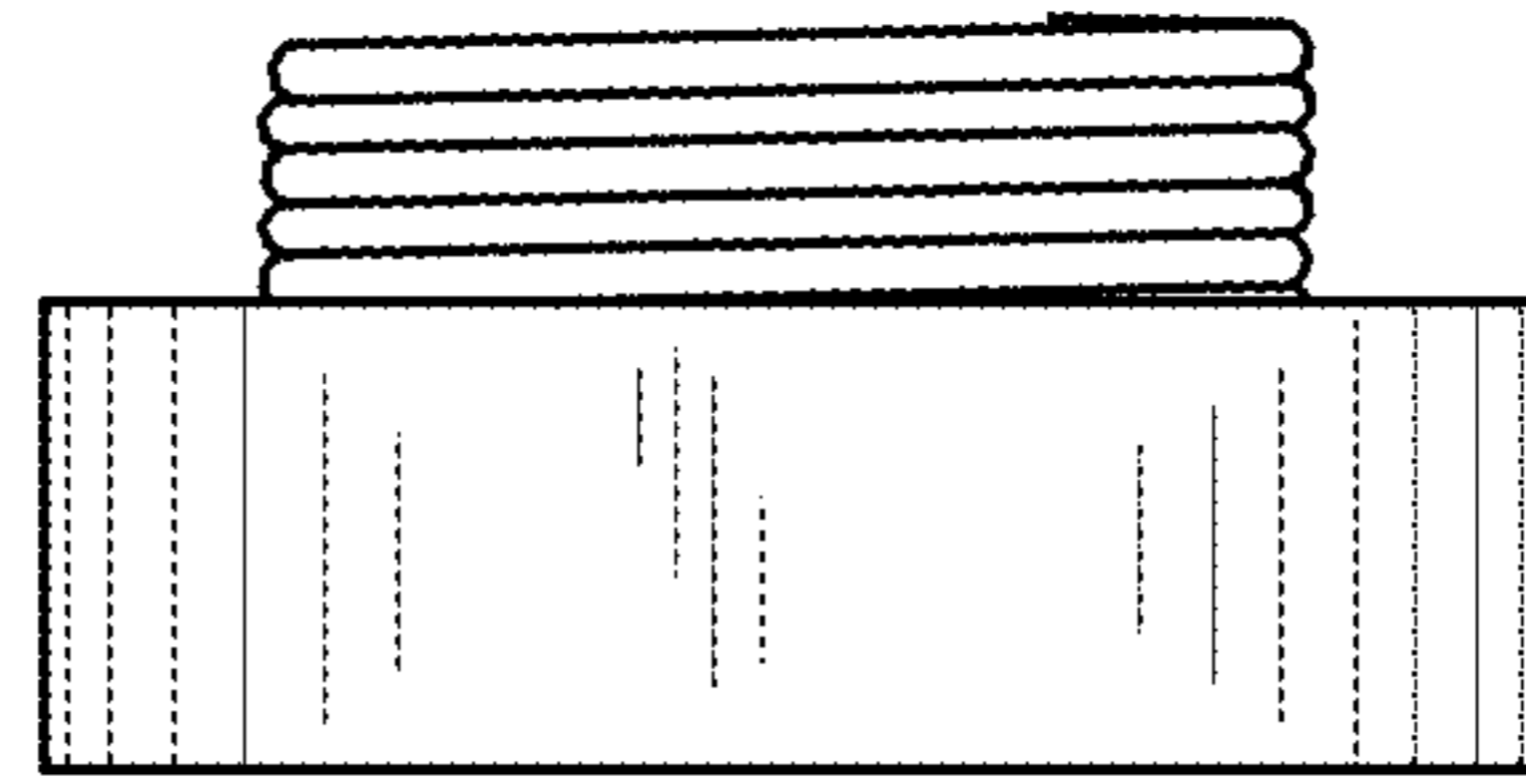


FIG. 4

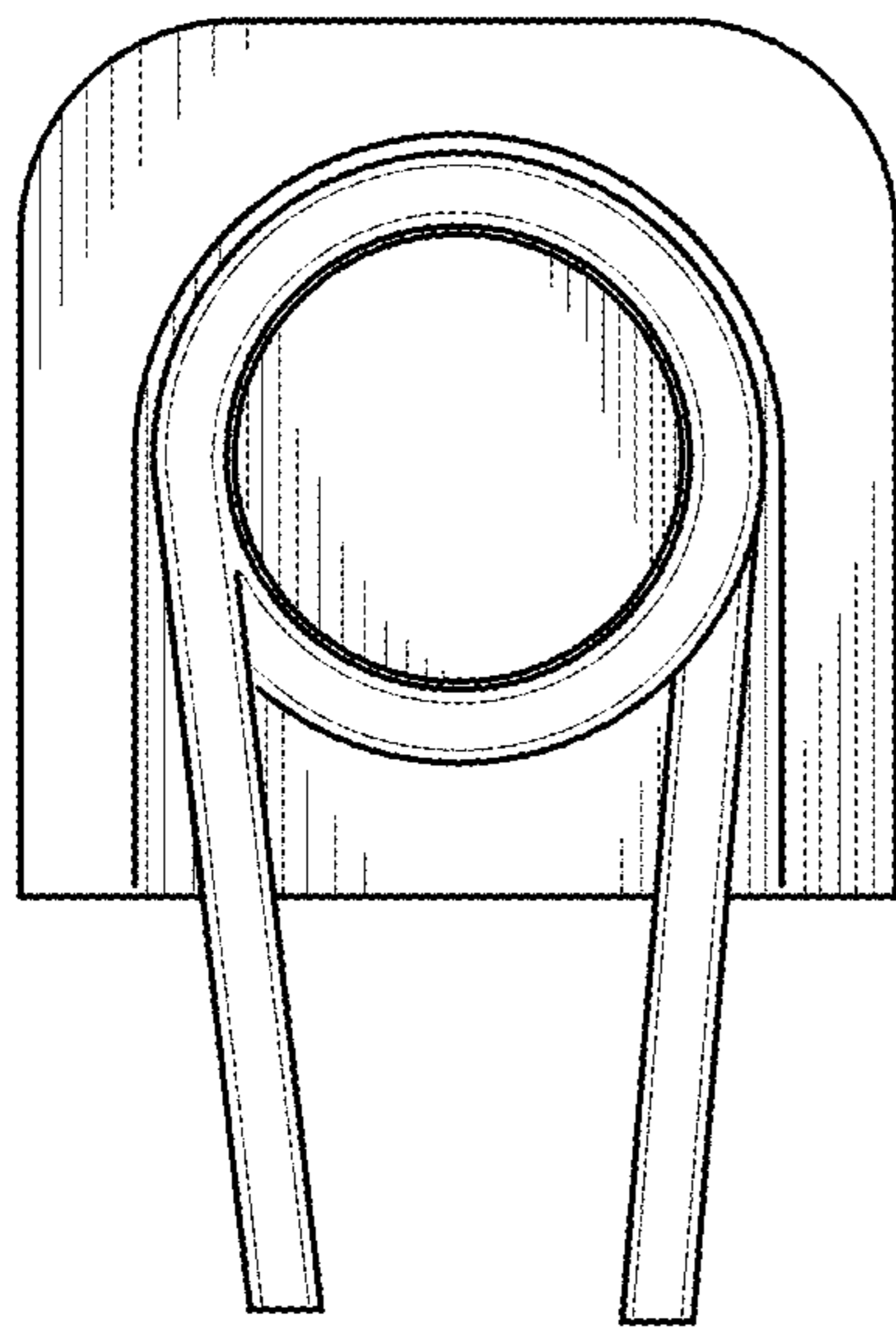


FIG. 5

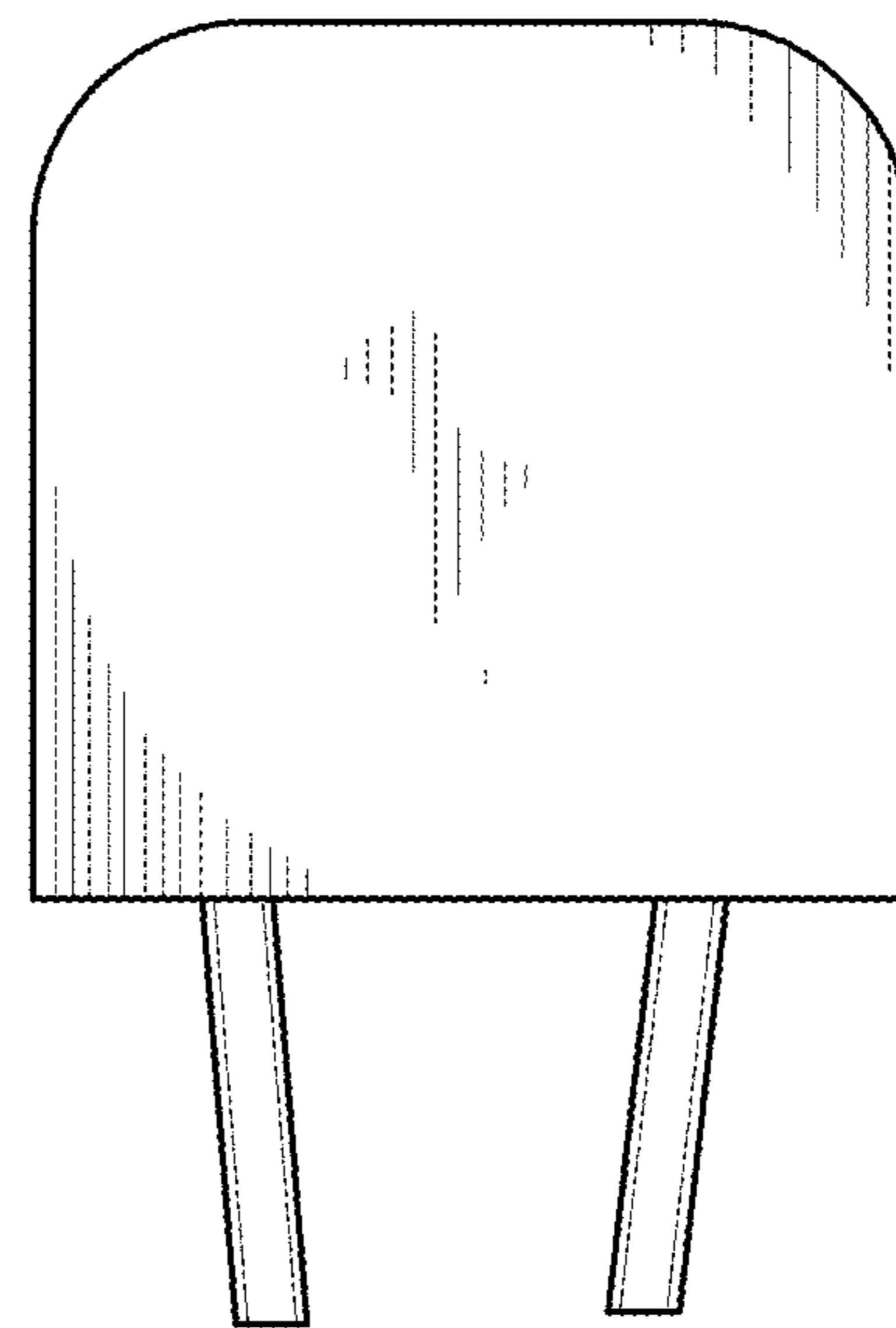


FIG. 6

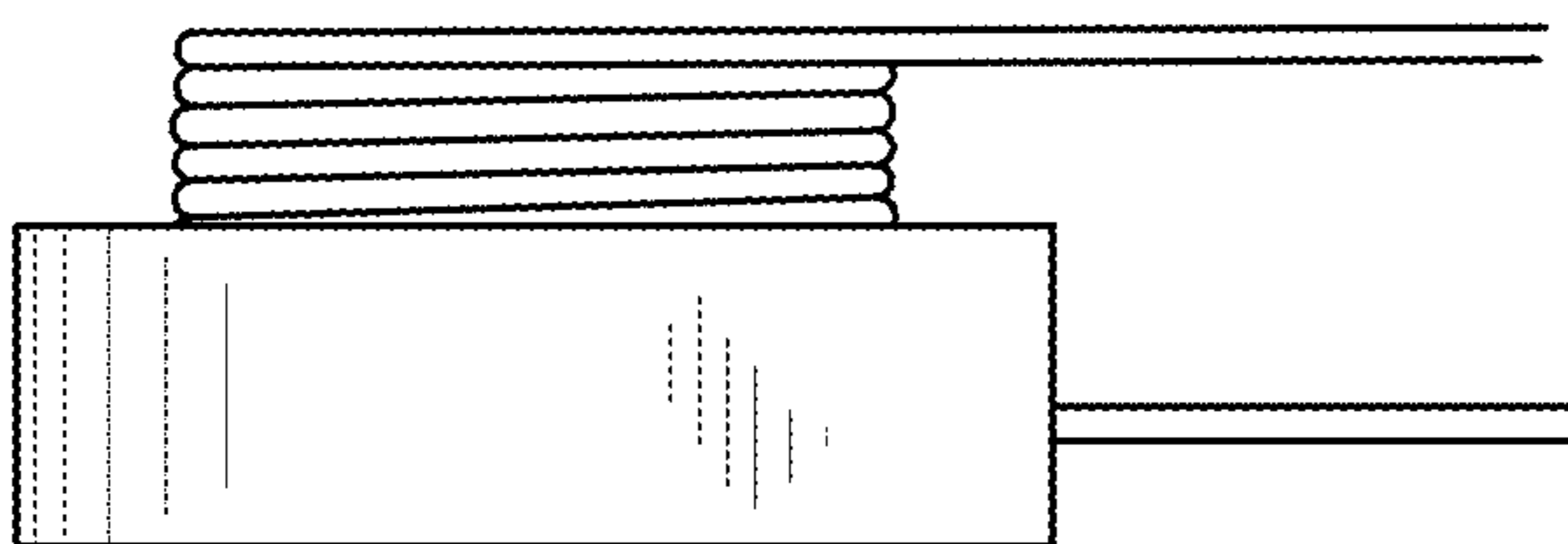


FIG. 7

