



US00D979503S

(12) **United States Design Patent**
Buono

(10) **Patent No.:** **US D979,503 S**

(45) **Date of Patent:** **** Feb. 28, 2023**

- (54) **INDUCTOR CORE**
- (71) Applicant: **Crestron Electronics, Inc.**, Rockleigh, NJ (US)
- (72) Inventor: **Robert Buono**, Ringwood, NJ (US)
- (73) Assignee: **Crestron Electronics, Inc.**, Rockleigh, NJ (US)
- (**) Term: **15 Years**
- (21) Appl. No.: **29/801,331**
- (22) Filed: **Jul. 28, 2021**

- D330,541 S * 10/1992 Burrow D13/118
- 5,489,884 A * 2/1996 Heringer H01F 17/041
336/83
- 6,696,913 B2 * 2/2004 Meuche H01F 17/04
336/212
- 7,135,949 B2 * 11/2006 Reppe H01F 27/027
336/212
- D537,778 S * 3/2007 Miyazaki D13/118
- 7,830,237 B1 * 11/2010 Chen H01F 30/06
336/83
- 8,368,500 B2 * 2/2013 Gilmartin H01F 17/043
336/192
- 8,723,629 B1 * 5/2014 Liu H01F 27/29
336/212
- 10,998,124 B2 * 5/2021 Foley H01F 27/2852
- 2018/0315542 A1 * 11/2018 Hayashi H01F 27/2823

* cited by examiner

Related U.S. Application Data

- (63) Continuation of application No. 16/436,390, filed on Jun. 10, 2019.
- (51) **LOC (14) Cl.** **13-02**
- (52) **U.S. Cl.**
USPC **D13/117**
- (58) **Field of Classification Search**
USPC D13/101, 110, 117, 118, 122, 133, 179,
D13/183, 199; D21/386, 484, 491, 497,
D21/500, 503
CPC H01F 27/02; H01F 27/04; H01F 27/24;
H01F 27/26; H01F 27/28; H01F 27/29;
H01F 27/245; H01F 27/263; H01F
27/292; H01F 27/325; H01F 41/06; H01F
41/076; H01F 41/0233; H01F 41/0246;
H02K 5/16; H02M 3/28
See application file for complete search history.

Primary Examiner — Derrick E Holland

(74) *Attorney, Agent, or Firm* — Crestron Electronics, Inc.

(57) **CLAIM**

The ornamental design for an inductor core, as shown and described.

DESCRIPTION

FIG. 1 illustrates a front perspective view of an inductor core showing the new design.

FIG. 2 illustrates a front view of the inductor core of FIG. 1.

FIG. 3 illustrates a back view of the inductor core of FIG. 1.

FIG. 4 illustrates a top view of the inductor core of FIG. 1.

FIG. 5 illustrates a bottom view of the inductor core of FIG. 1.

FIG. 6 illustrates a left side view of the inductor core of FIG. 1; and,

FIG. 7 illustrates a right side view of the inductor core of FIG. 1.

(56) **References Cited**

U.S. PATENT DOCUMENTS

- 4,424,504 A * 1/1984 Mitsui H01F 27/255
336/83
- D280,810 S * 10/1985 Mitsui D13/118

1 Claim, 2 Drawing Sheets

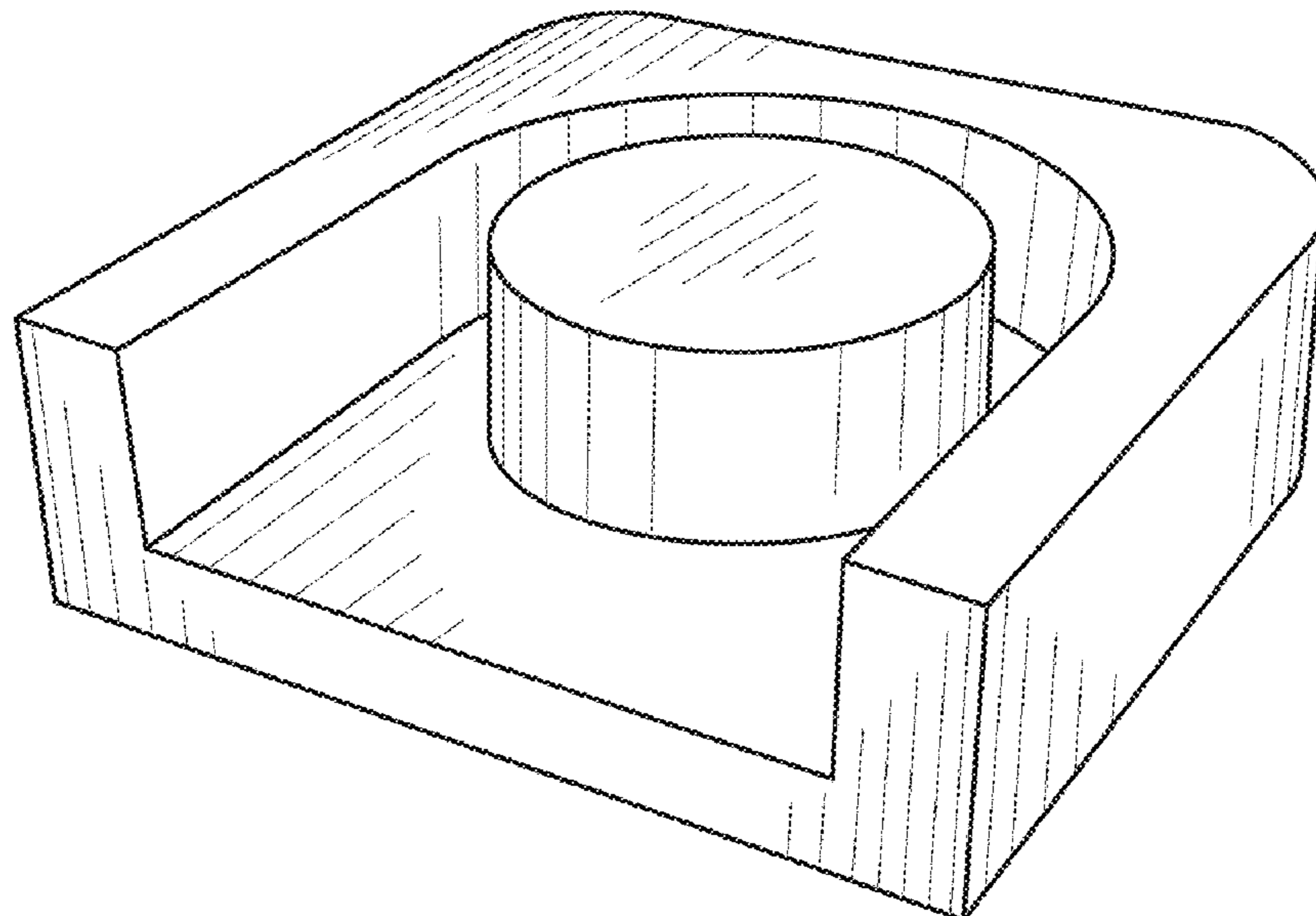


FIG. 1

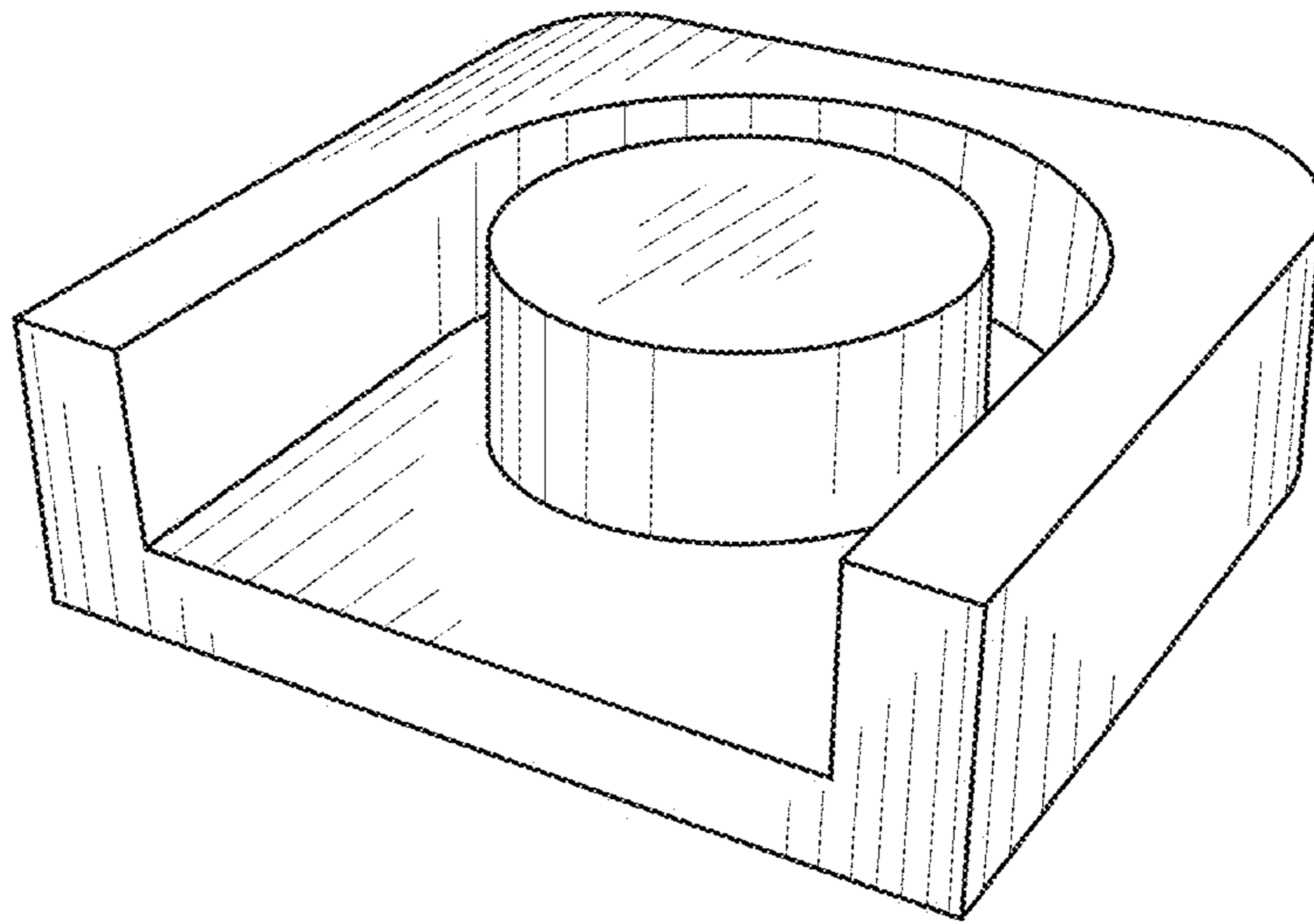


FIG. 2

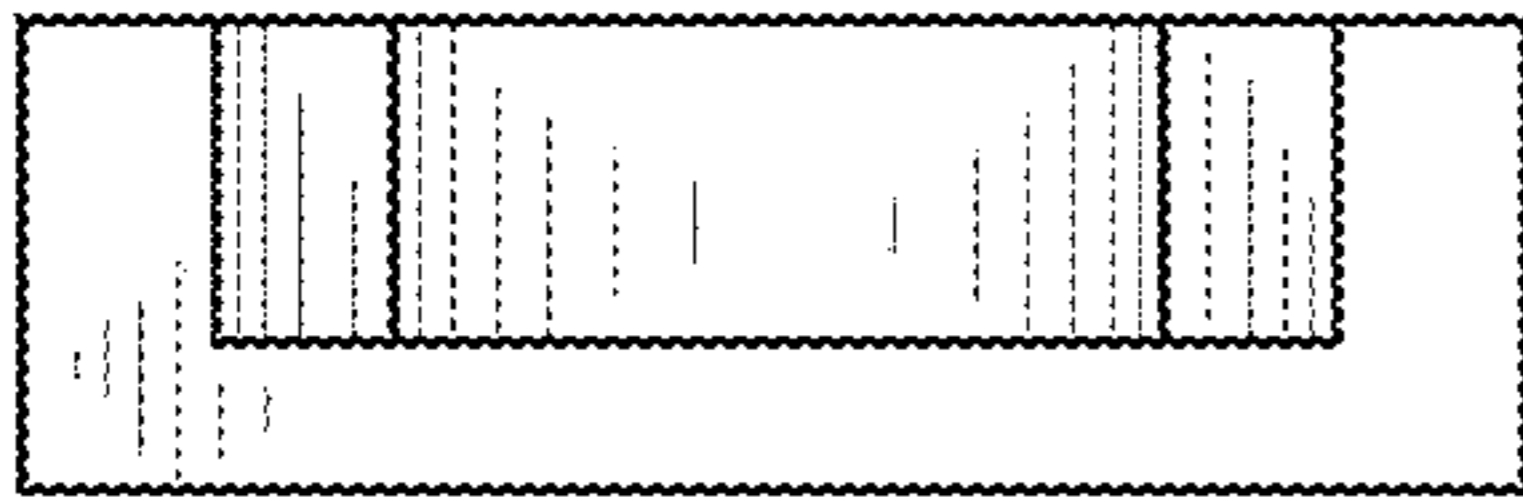


FIG. 3



FIG. 4

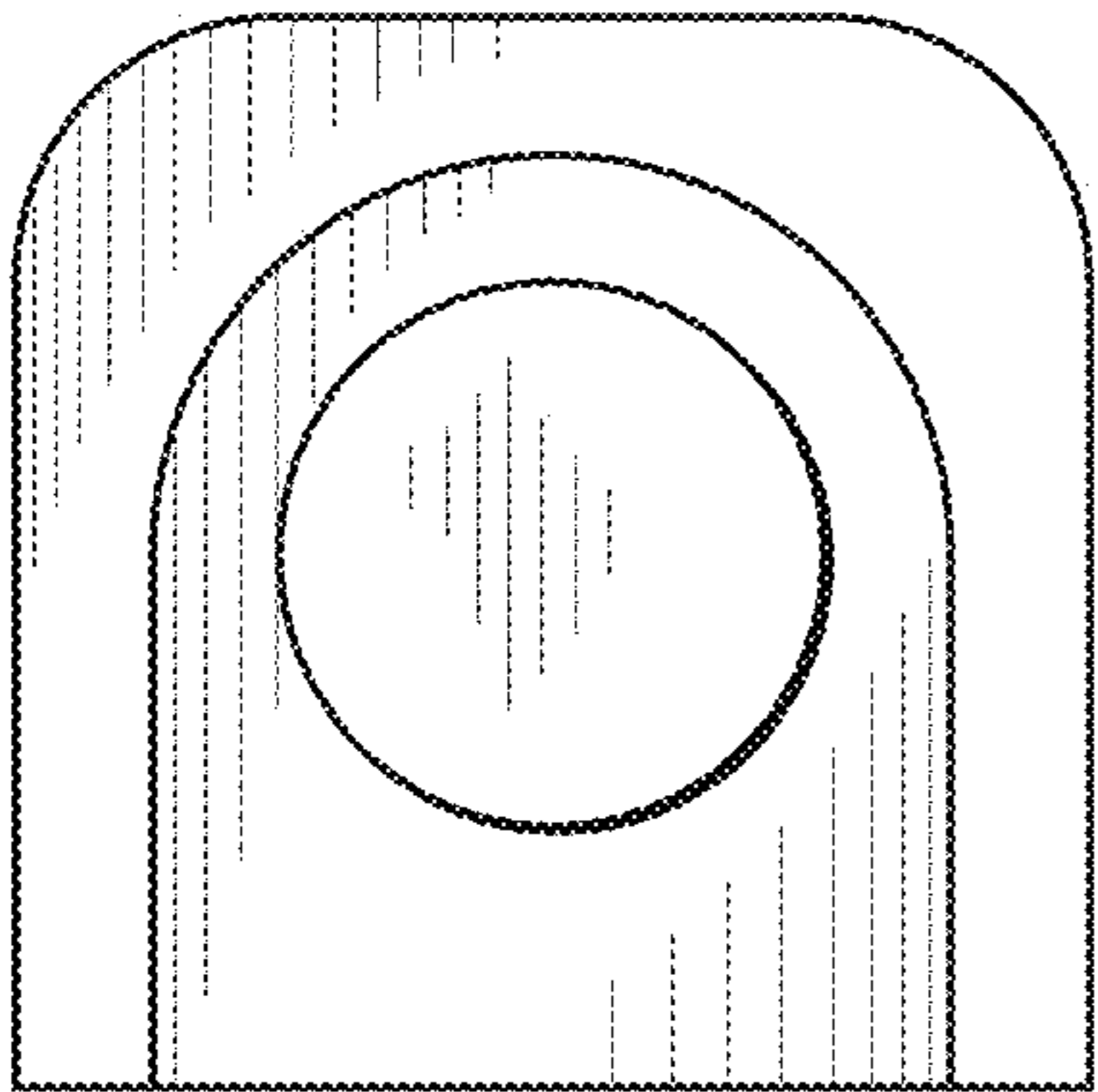


FIG. 5

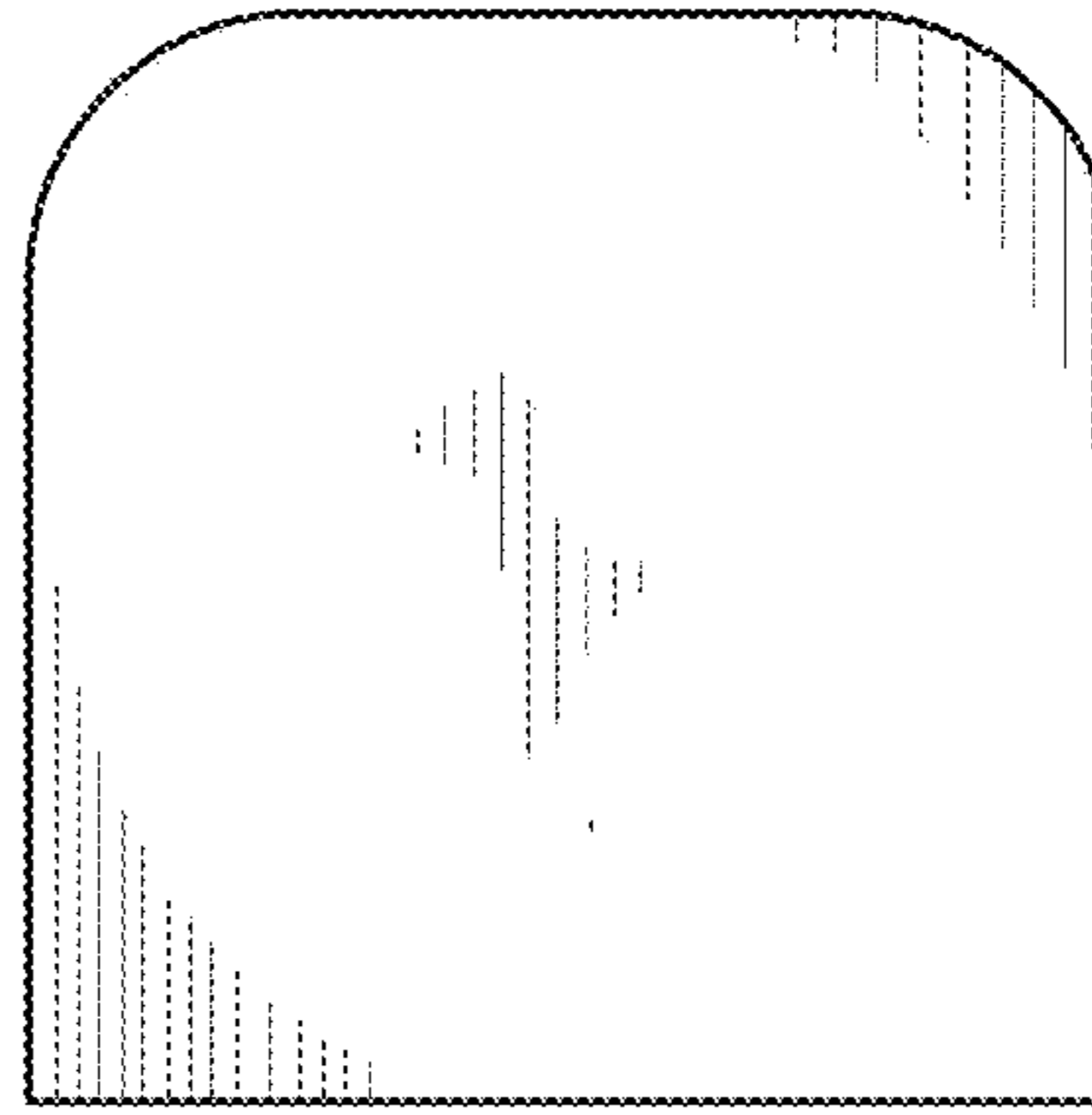


FIG. 6



FIG. 7

