



US00D979502S

(12) **United States Design Patent**
Buono

(10) **Patent No.:** **US D979,502 S**

(45) **Date of Patent:** **** Feb. 28, 2023**

(54) **INDUCTOR**

(71) Applicant: **Crestron Electronics, Inc.**, Rockleigh, NJ (US)

(72) Inventor: **Robert Buono**, Ringwood, NJ (US)

(73) Assignee: **Crestron Electronics, Inc.**, Rockleigh, NJ (US)

(**) Term: **15 Years**

(21) Appl. No.: **29/801,323**

(22) Filed: **Jul. 28, 2021**

Related U.S. Application Data

(63) Continuation of application No. 16/436,390, filed on Jun. 10, 2019.

(51) **LOC (14) Cl.** **13-02**

(52) **U.S. Cl.**
USPC **D13/117**

(58) **Field of Classification Search**
USPC D13/101, 110, 117, 118, 122, 133, 179, D13/183, 199; D21/386, 484, 491, 497, D21/500, 503

CPC H01F 27/02; H01F 27/04; H01F 27/24; H01F 27/26; H01F 27/28; H01F 27/29; H01F 27/245; H01F 27/263; H01F 27/292; H01F 27/325; H01F 41/06; H01F 41/076; H01F 41/0233; H01F 41/0246; H02K 5/16; H02M 3/28

See application file for complete search history.

(56) **References Cited**

U.S. PATENT DOCUMENTS

D330,189 S * 10/1992 Burrow D13/118
6,114,932 A * 9/2000 Wester H01F 27/29
336/200

D442,547 S * 5/2001 Takebuchi D13/117
6,617,948 B2 * 9/2003 Kuroshima H01F 27/34
336/83
D550,622 S * 9/2007 Shih D13/118
D586,745 S * 2/2009 Shibata D13/117
7,489,225 B2 * 2/2009 Dadafshar H01F 27/255
336/223
7,821,369 B2 * 10/2010 Sano H01F 17/045
336/84 M
9,536,653 B2 * 1/2017 Yamada H01F 41/071
2008/0078474 A1 * 4/2008 Naito H01F 1/15308
148/304
2018/0315542 A1 * 11/2018 Hayashi H01F 27/2823

* cited by examiner

Primary Examiner — Derrick E Holland

(74) *Attorney, Agent, or Firm* — Crestron Electronics, Inc.

(57) **CLAIM**

The ornamental design for an inductor, as shown and described.

DESCRIPTION

FIG. 1 illustrates a front perspective view of an inductor showing the new design.

FIG. 2 illustrates a front view of the inductor of FIG. 1.

FIG. 3 illustrates a back view of the inductor of FIG. 1.

FIG. 4 illustrates a top view of the inductor of FIG. 1.

FIG. 5 illustrates a bottom view of the inductor of FIG. 1.

FIG. 6 illustrates a left side view of the inductor of FIG. 1; and,

FIG. 7 illustrates a right side view of the inductor of FIG. 1.

1 Claim, 2 Drawing Sheets

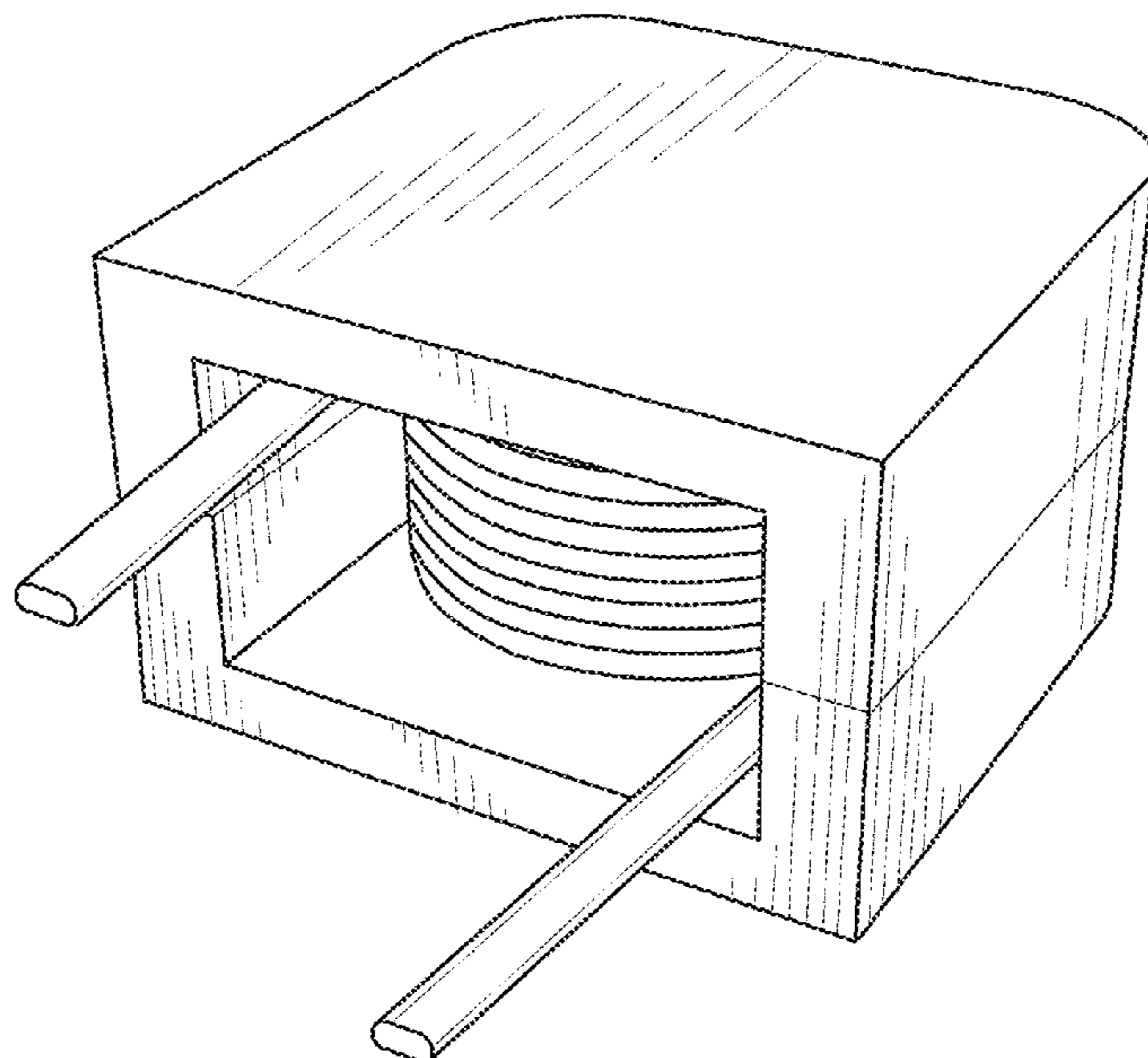


FIG. 1

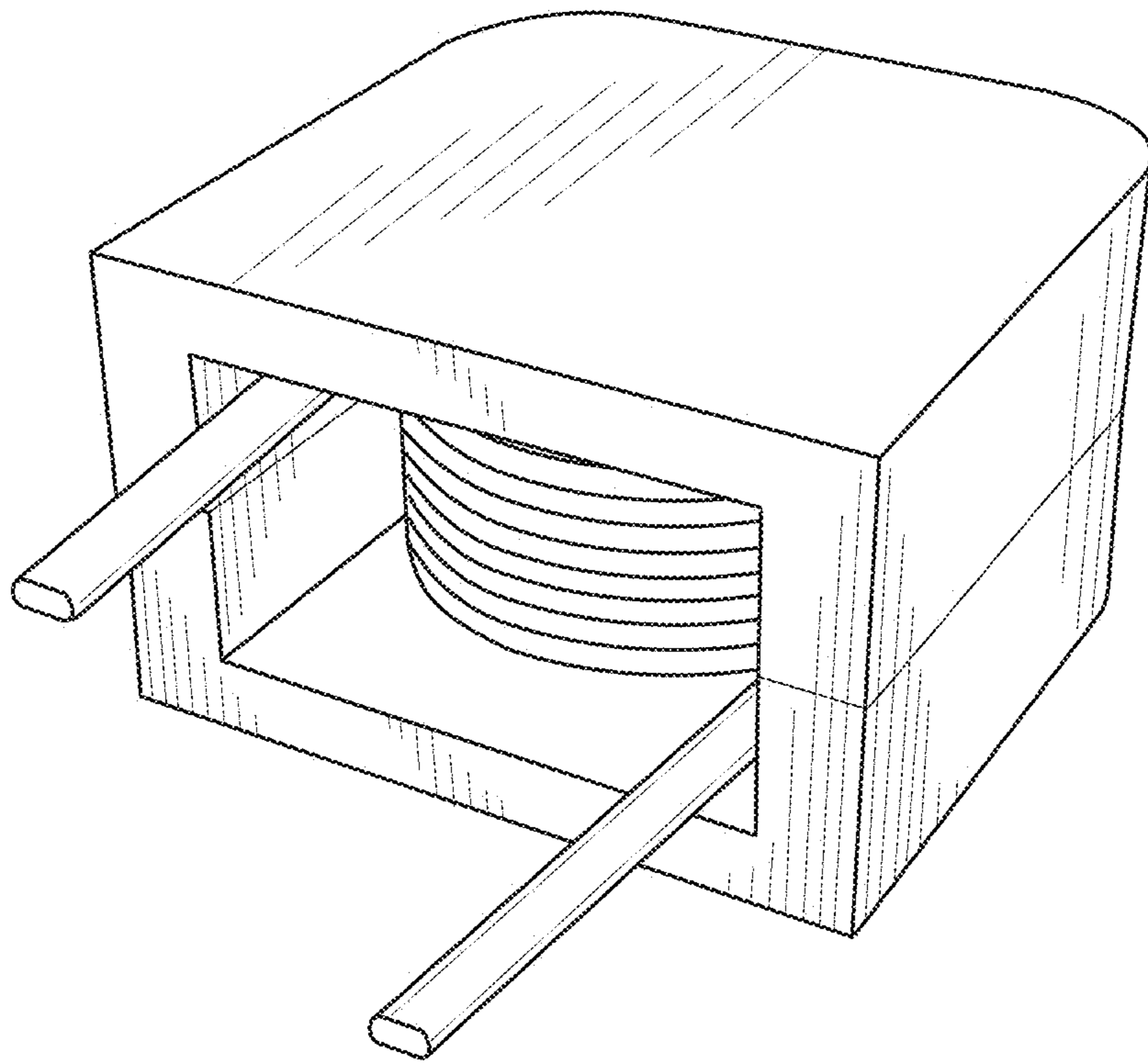


FIG. 2

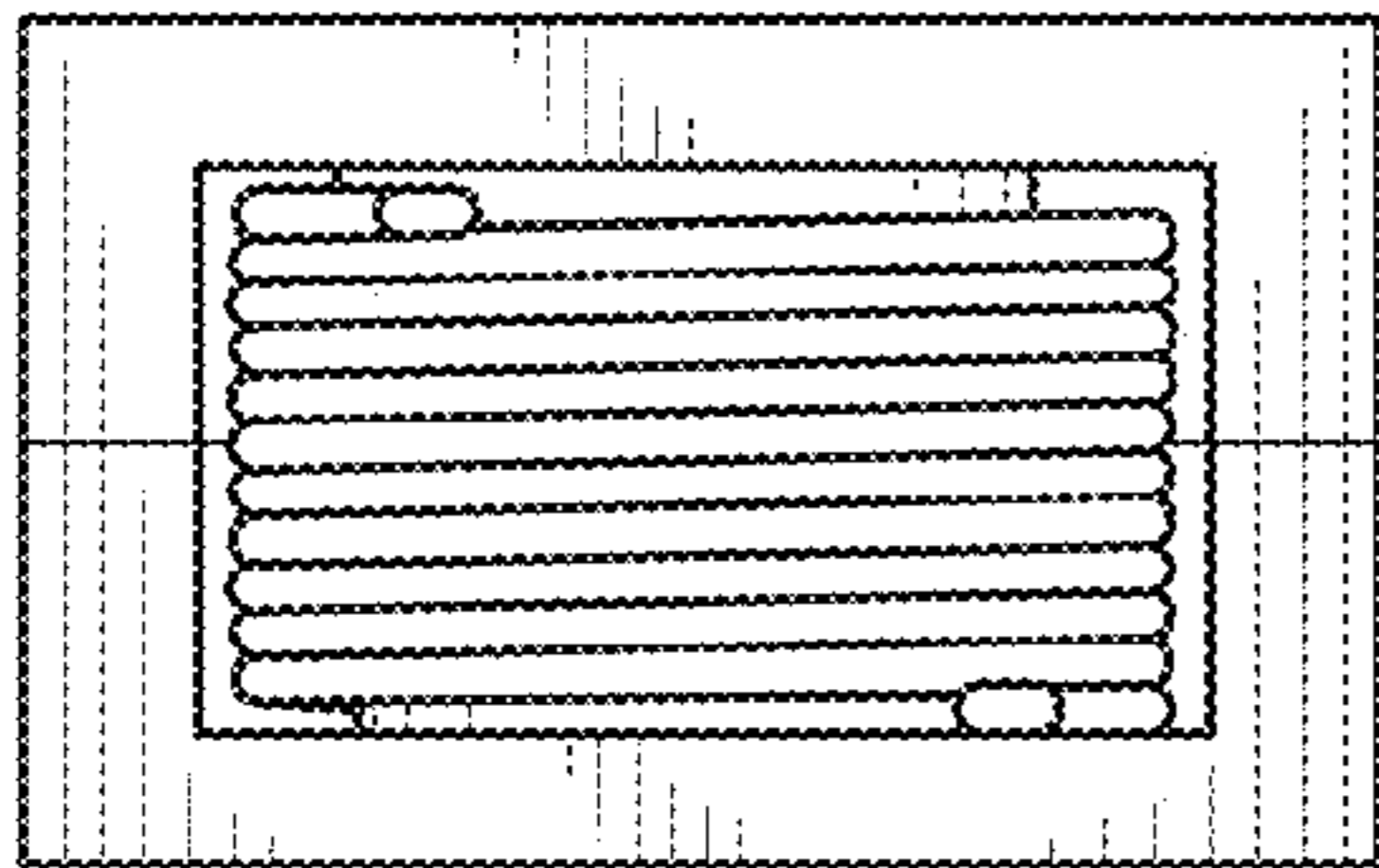


FIG. 3

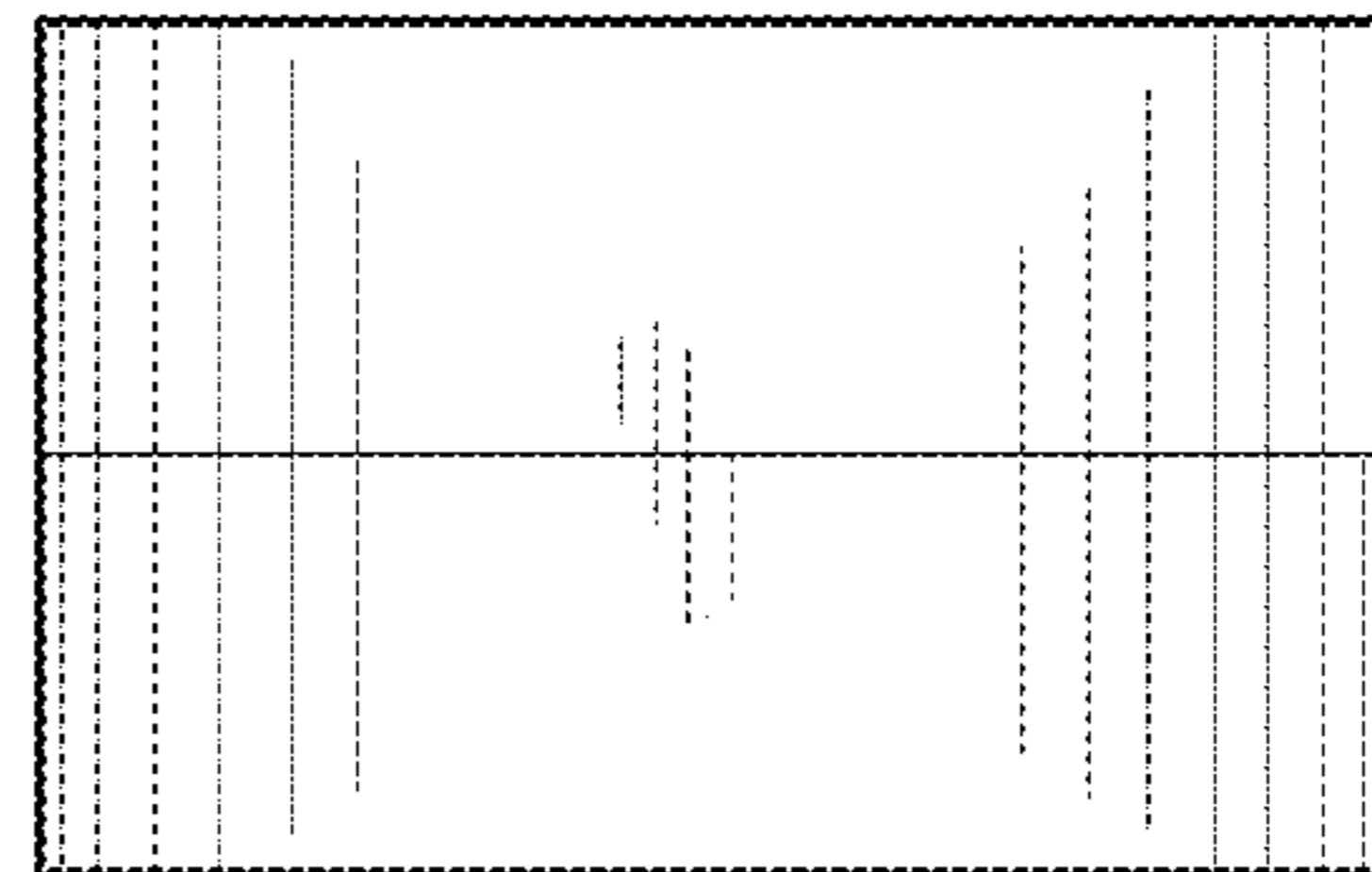


FIG. 4

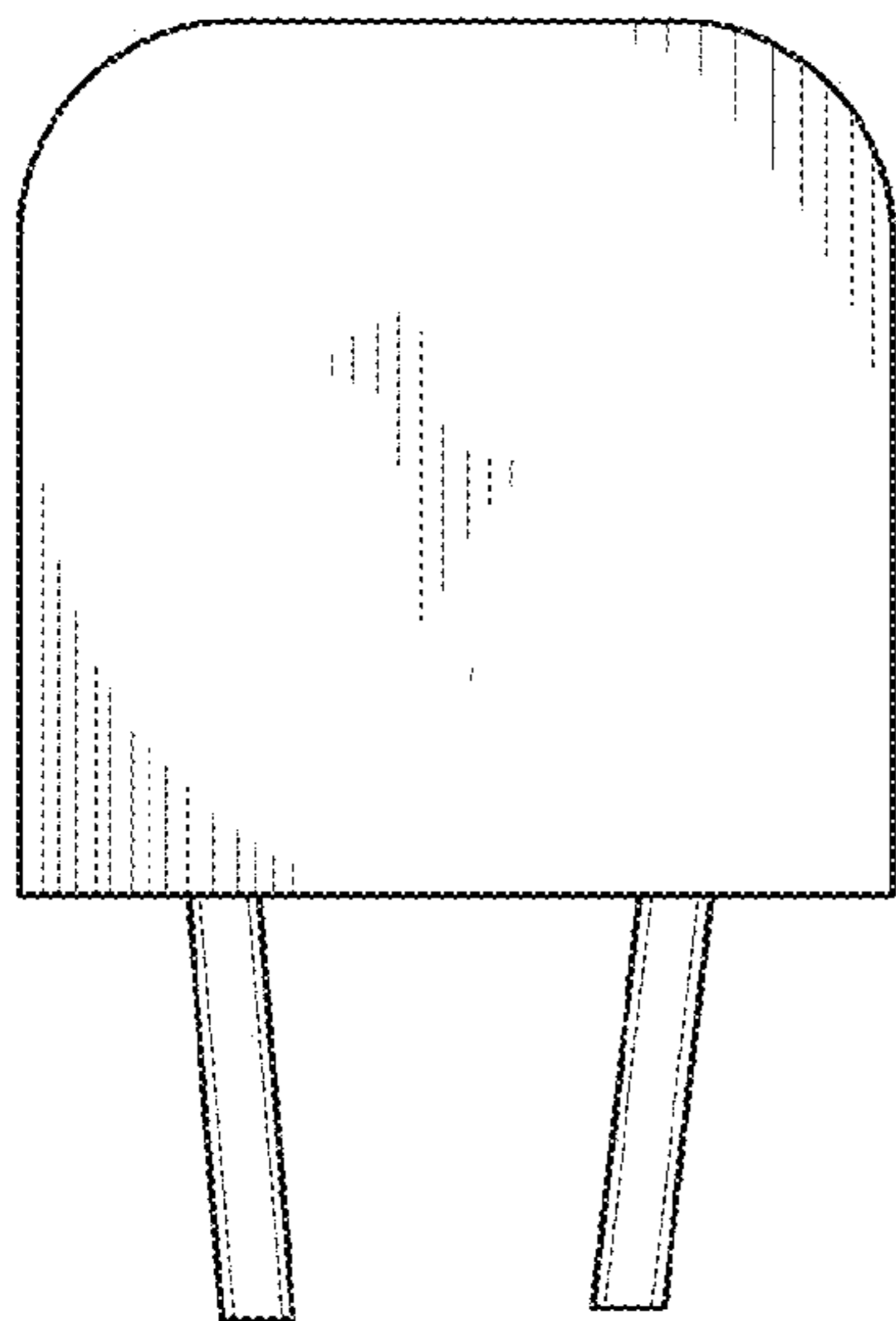


FIG. 5

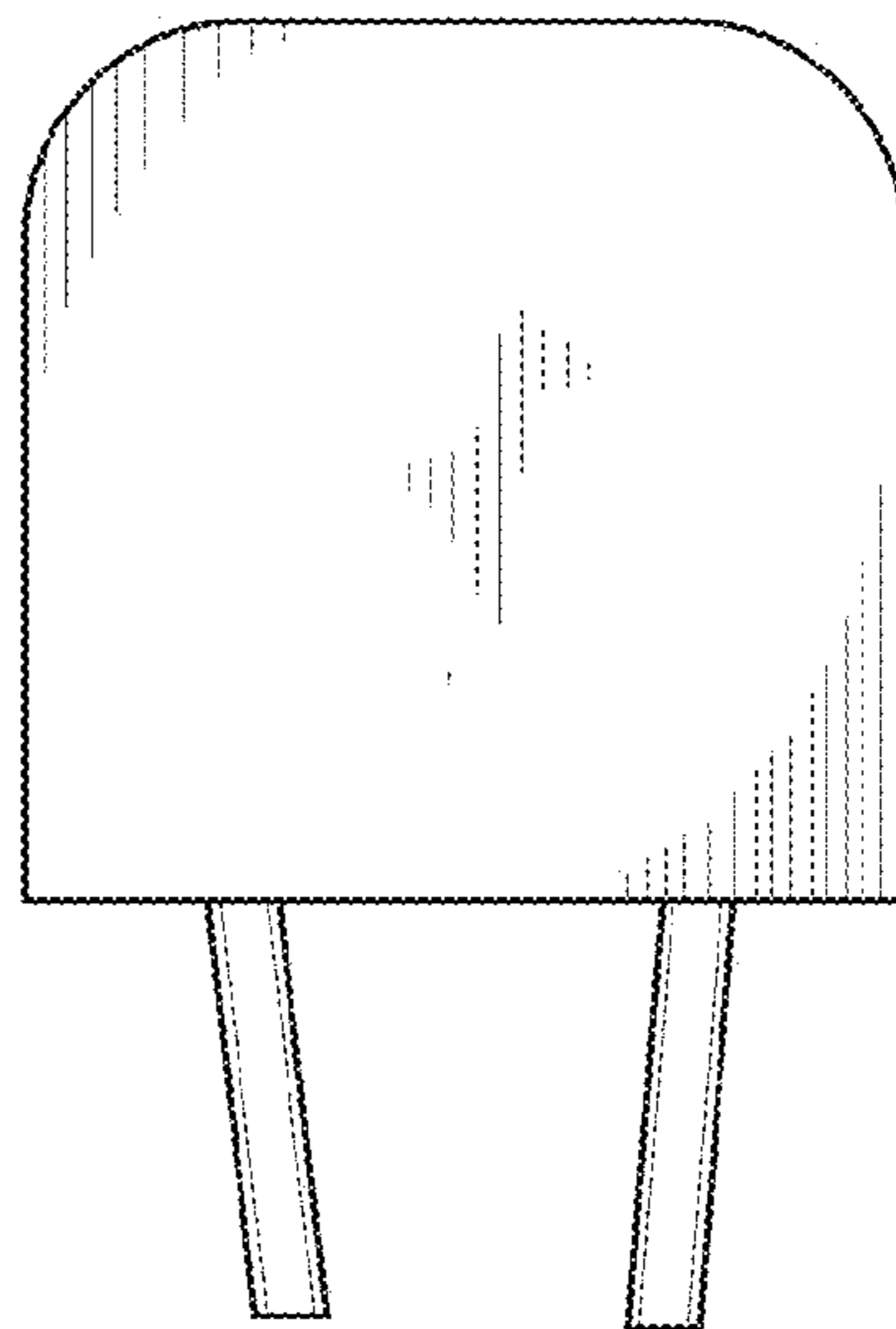


FIG. 6

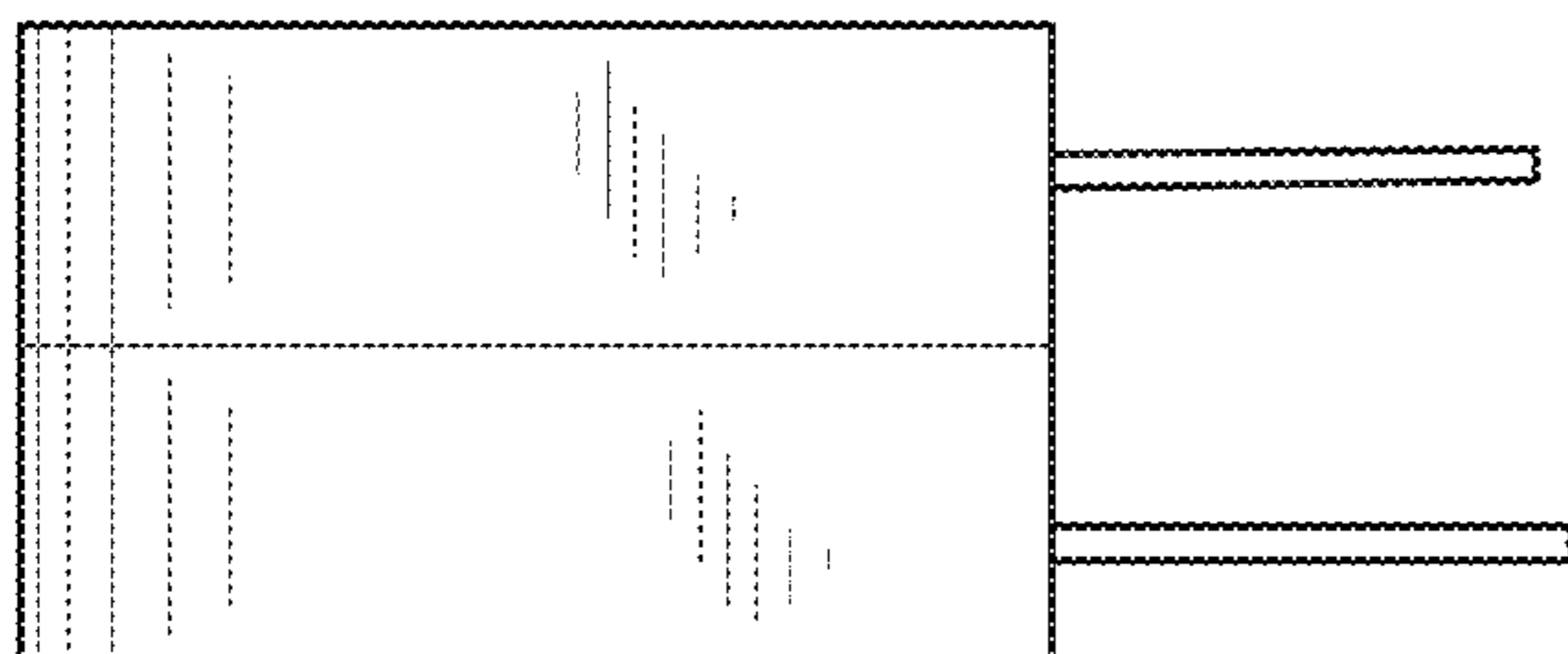


FIG. 7

