



US00D979500S

(12) **United States Design Patent**  
**Buono**

(10) **Patent No.:** **US D979,500 S**  
(45) **Date of Patent:** **\*\* Feb. 28, 2023**

(54) **INDUCTOR CORE WITH COIL**  
(71) Applicant: **Crestron Electronics, Inc.**  
(72) Inventor: **Robert Buono**, Ringwood, NJ (US)  
(73) Assignee: **Crestron Electronics, Inc.**, Rockleigh, NJ (US)  
(\*\*) Term: **15 Years**  
(21) Appl. No.: **29/801,311**  
(22) Filed: **Jul. 28, 2021**

D442,547 S \* 5/2001 Takebuchi ..... D13/117  
6,617,948 B2 \* 9/2003 Kuroshima ..... H01F 27/34  
336/83  
D550,622 S \* 9/2007 Shih ..... D13/118  
D586,745 S \* 2/2009 Shibata ..... D13/117  
7,489,225 B2 \* 2/2009 Dadafshar ..... H01F 27/255  
336/223  
7,821,369 B2 \* 10/2010 Sano ..... H01F 17/045  
336/84 M  
9,536,653 B2 \* 1/2017 Yamada ..... H01F 41/071  
2008/0078474 A1 \* 4/2008 Naito ..... H01F 1/15308  
148/304  
2018/0315542 A1 \* 11/2018 Hayashi ..... H01F 27/2823

\* cited by examiner

*Primary Examiner* — Derrick E Holland  
(74) *Attorney, Agent, or Firm* — Crestron Electronics, Inc.

**Related U.S. Application Data**

(63) Continuation of application No. 16/436,390, filed on Jun. 10, 2019.  
(51) **LOC (14) Cl.** ..... **13-02**  
(52) **U.S. Cl.**  
USPC ..... **D13/117**  
(58) **Field of Classification Search**  
USPC ..... D13/101, 110, 117, 118, 122, 133, 179,  
D13/183, 199; D21/386, 484, 491, 497,  
D21/500, 503  
CPC ..... H01F 27/02; H01F 27/04; H01F 27/24;  
H01F 27/26; H01F 27/28; H01F 27/29;  
H01F 27/245; H01F 27/263; H01F  
27/292; H01F 27/325; H01F 41/06; H01F  
41/076; H01F 41/0233; H01F 41/0246;  
H02K 5/16; H02M 3/28  
See application file for complete search history.

(57) **CLAIM**

The ornamental design for an inductor core with coil, as shown and described.

**DESCRIPTION**

FIG. 1 illustrates a front perspective view of an inductor core with coil showing the new design.  
FIG. 2 illustrates a front view of the inductor core with coil of FIG. 1.  
FIG. 3 illustrates a back view of the inductor core with coil of FIG. 1.  
FIG. 4 illustrates a top view of the inductor core with coil of FIG. 1.  
FIG. 5 illustrates a bottom view of the inductor core with coil of FIG. 1.  
FIG. 6 illustrates a left side view of the inductor core with coil of FIG. 1; and,  
FIG. 7 illustrates a right side view of the inductor core with coil of FIG. 1.

(56) **References Cited**  
U.S. PATENT DOCUMENTS

D330,189 S \* 10/1992 Burrow ..... D13/118  
6,114,932 A \* 9/2000 Wester ..... H01F 27/29  
336/200

**1 Claim, 2 Drawing Sheets**

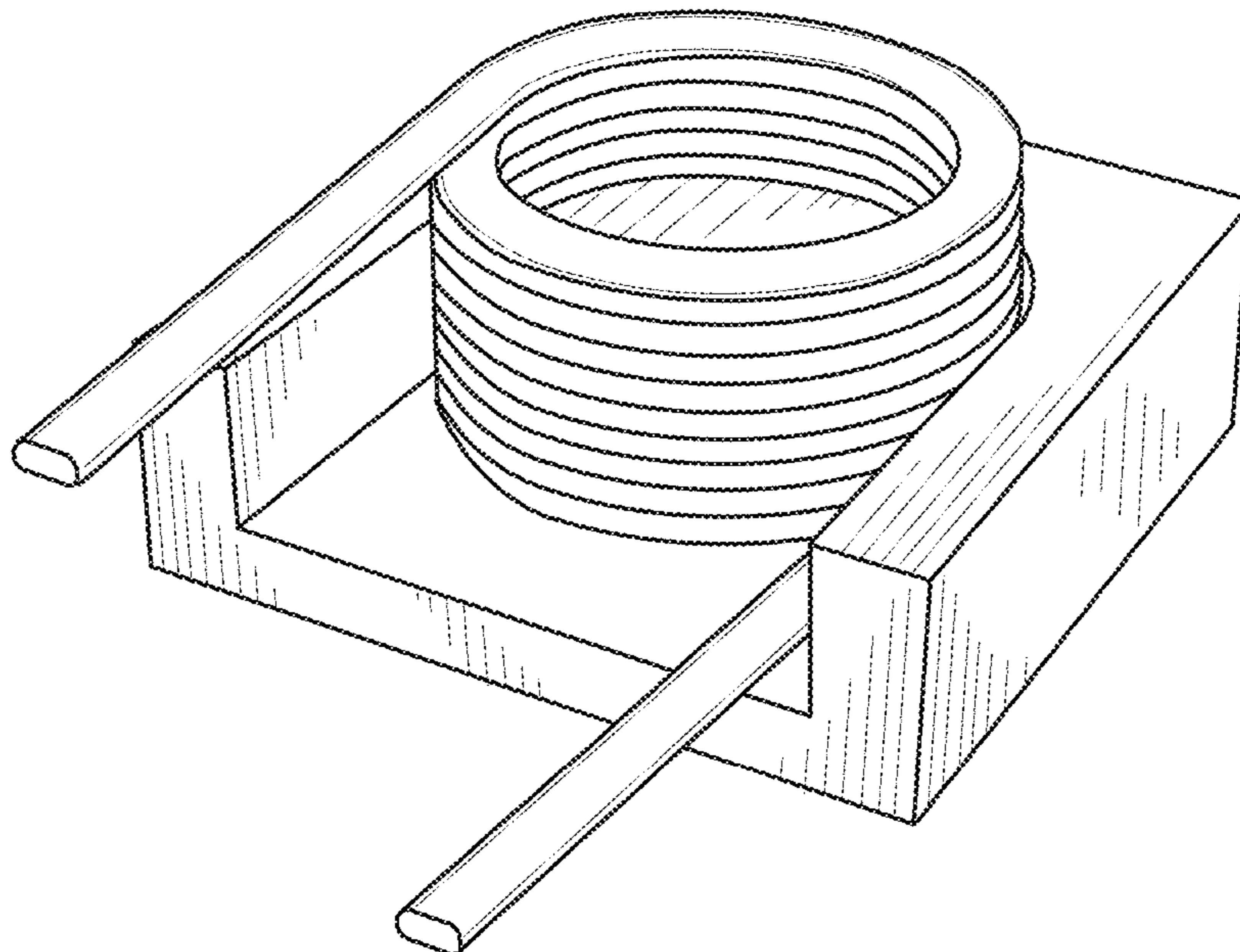


FIG. 1

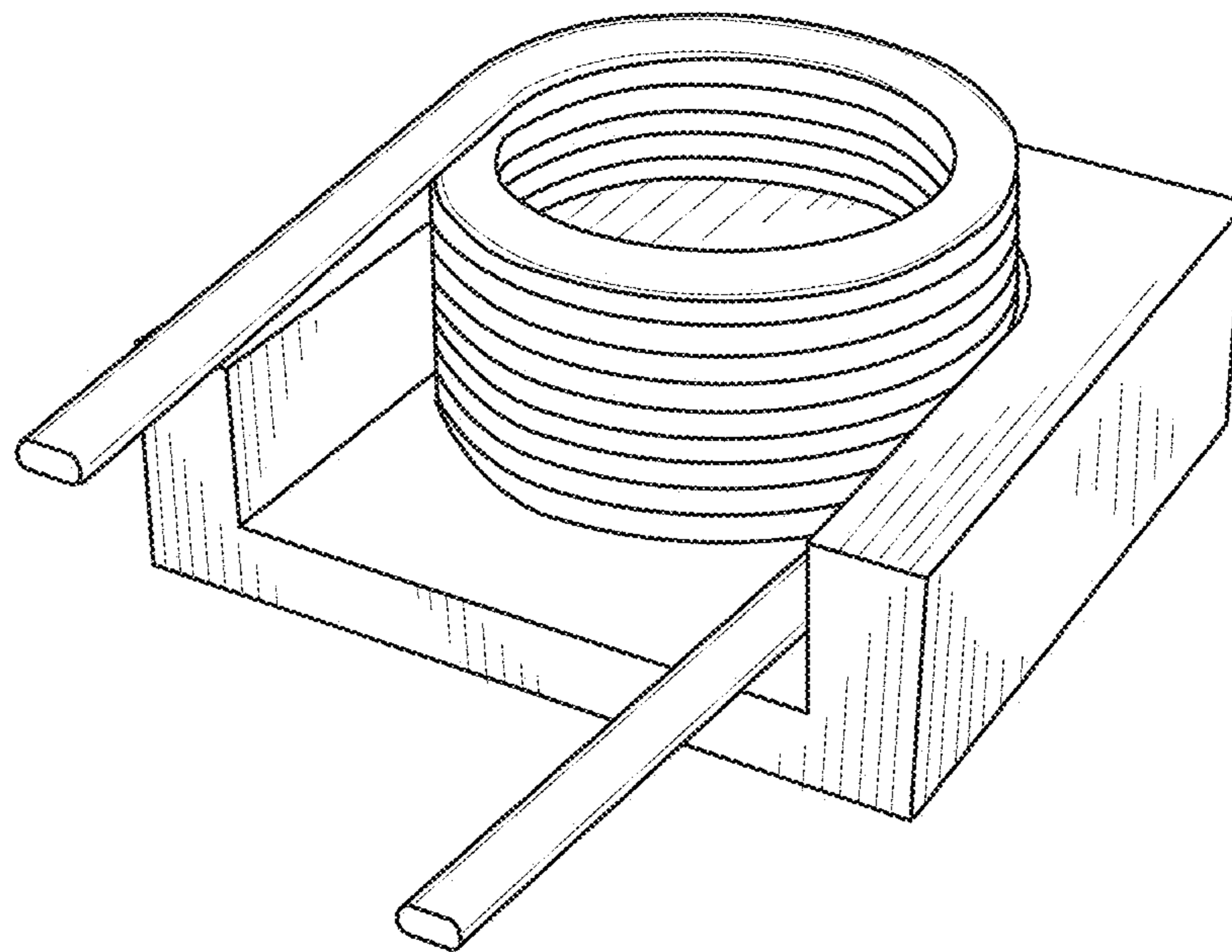


FIG. 2

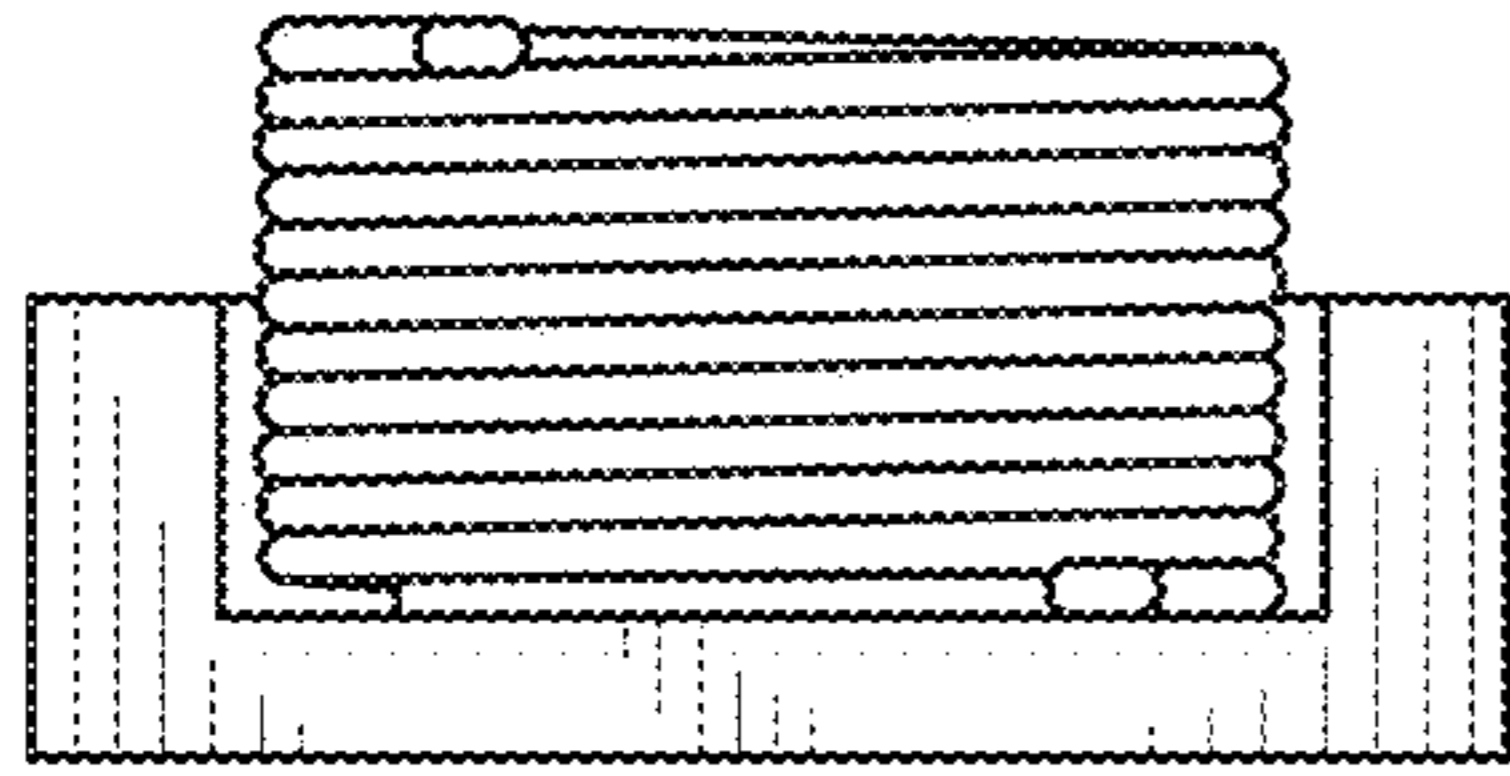


FIG. 3

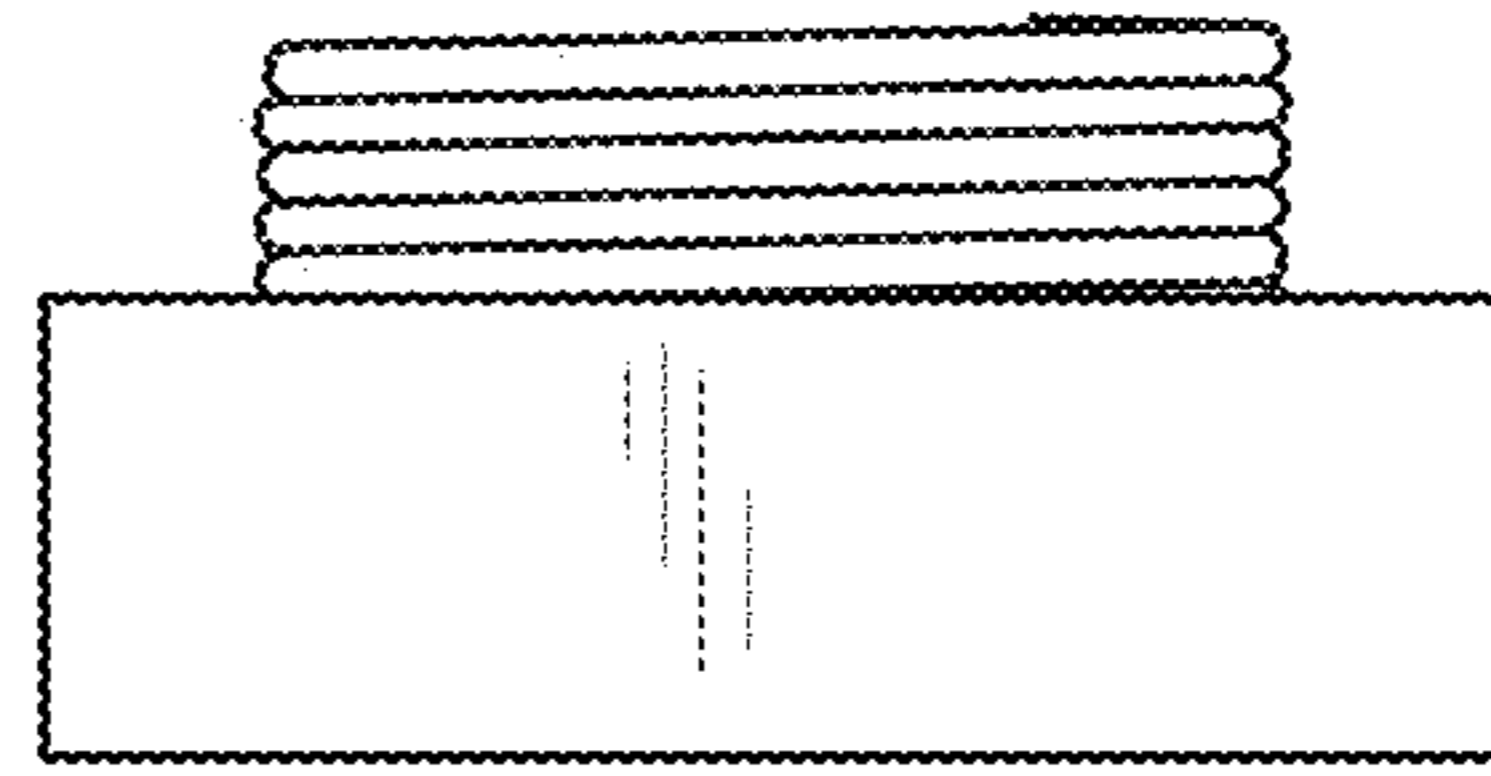


FIG. 4

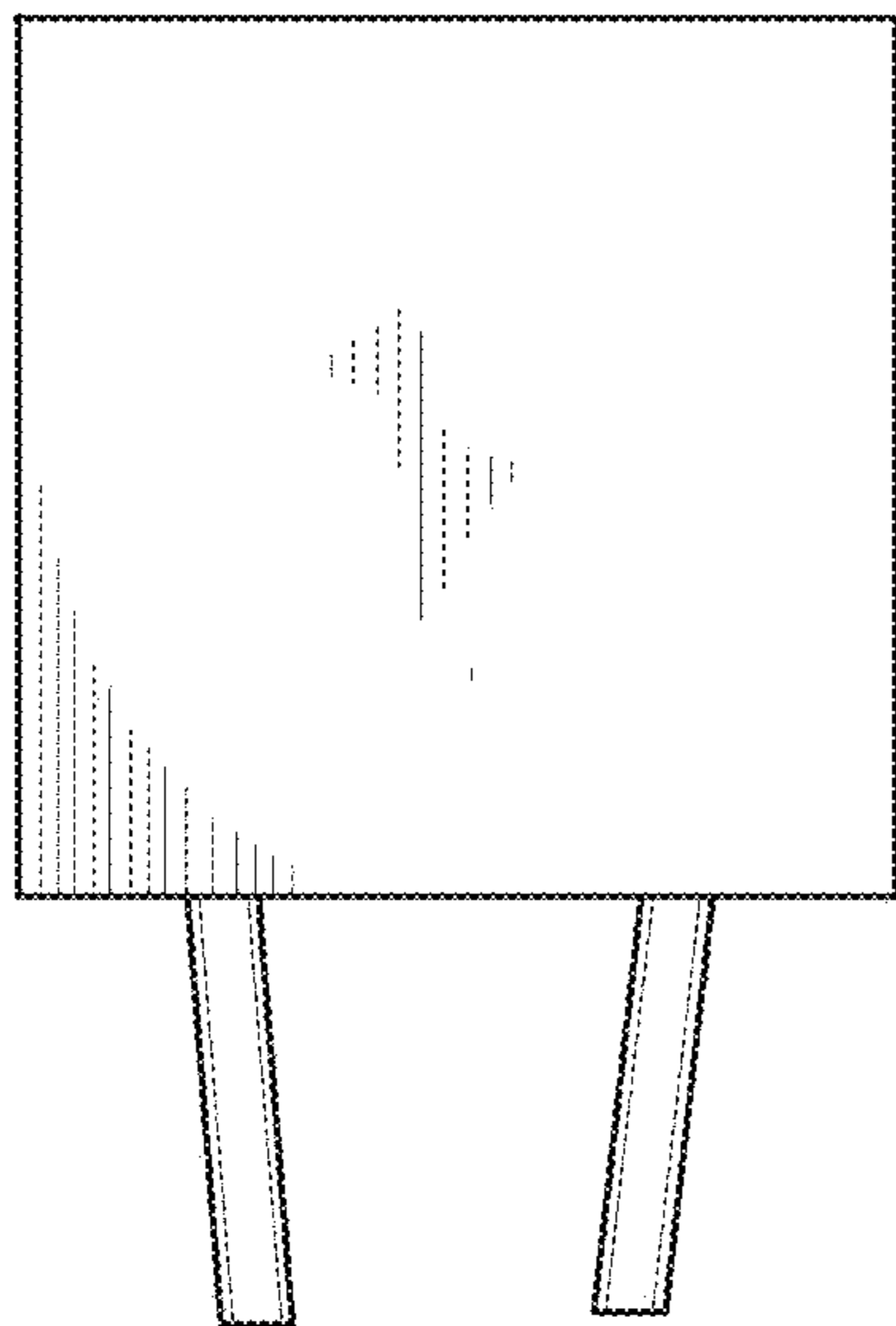


FIG. 5

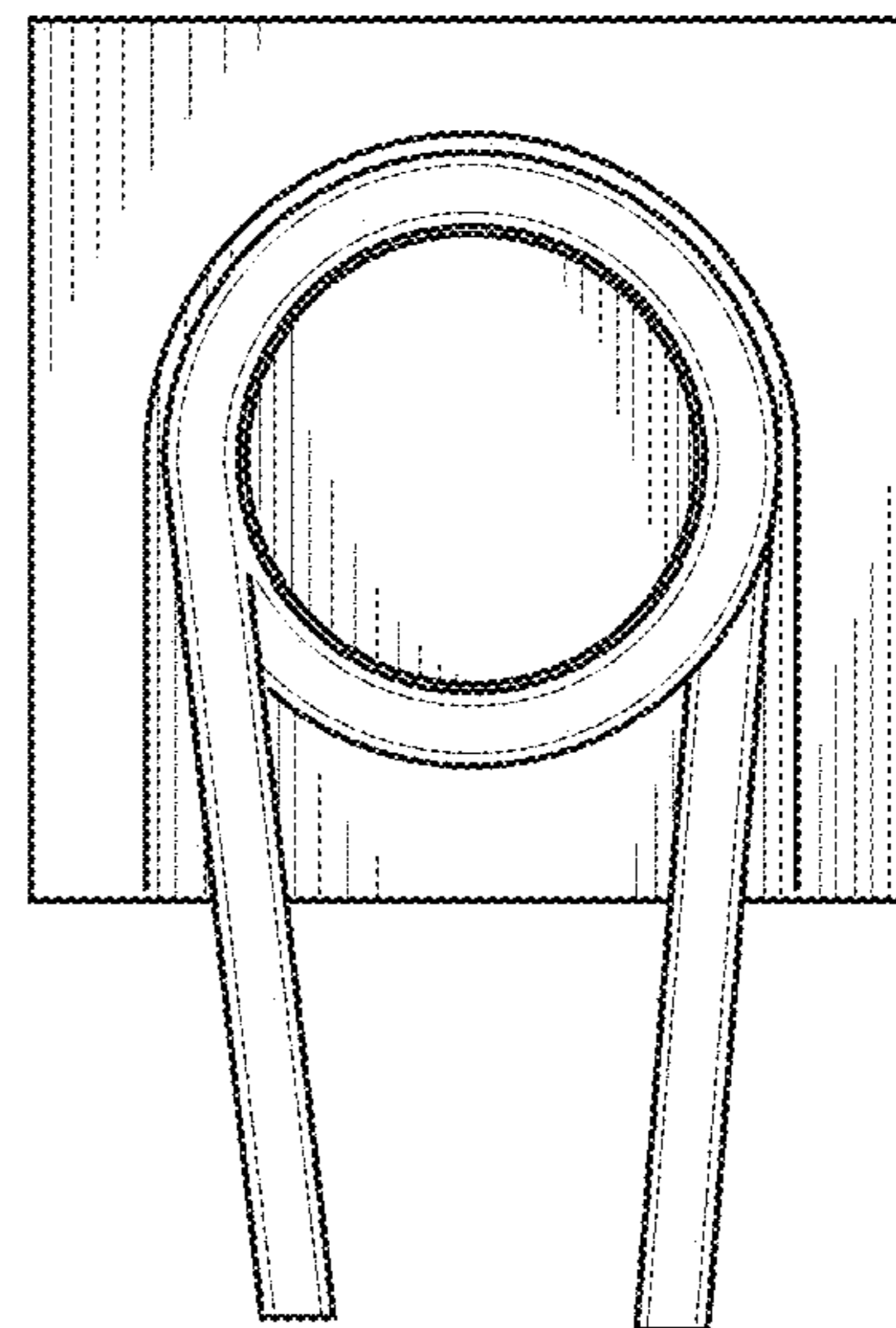


FIG. 6

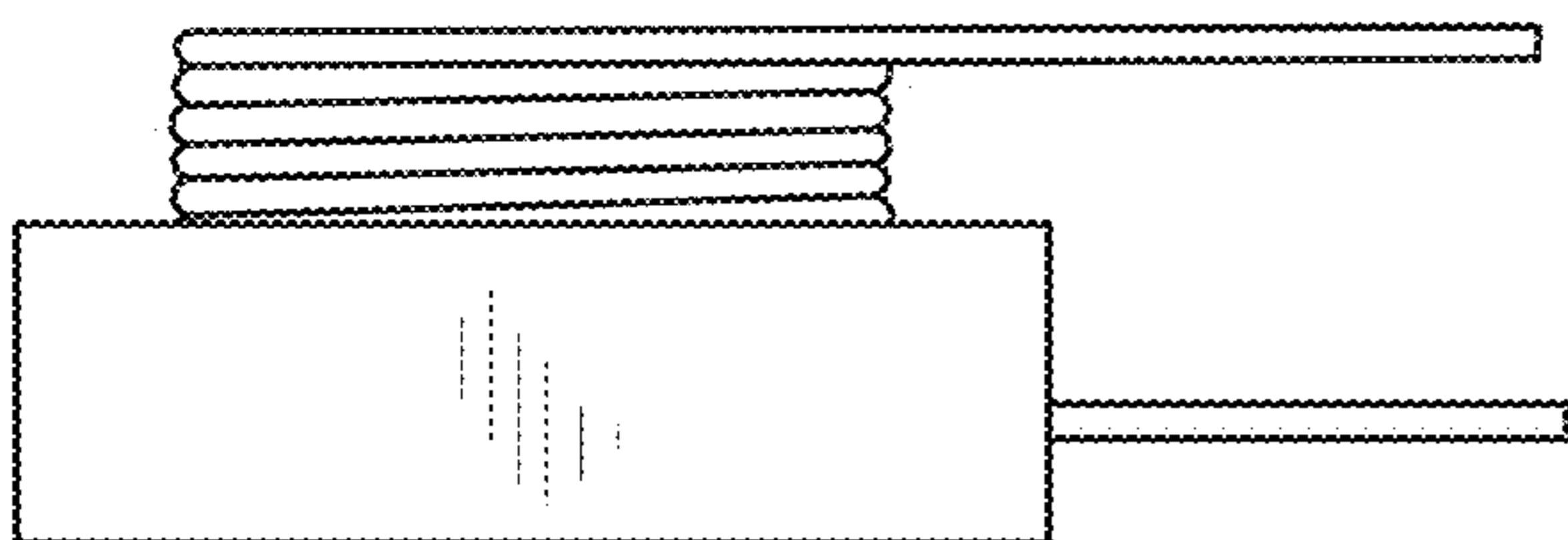


FIG. 7

