



US00D979499S

(12) **United States Design Patent**
Gao

(10) **Patent No.:** **US D979,499 S**

(45) **Date of Patent:** **** Feb. 28, 2023**

- (54) **PORTABLE POWER STATION**
- (71) Applicant: **Shenzhen Luban Network Technology Co., Ltd.**, Shenzhen (CN)
- (72) Inventor: **Shang Gao**, Shenzhen (CN)
- (73) Assignee: **Shenzhen Luban Network Technology Co., Ltd.**, Shenzhen (CN)
- (**) Term: **15 Years**
- (21) Appl. No.: **29/857,140**
- (22) Filed: **Oct. 20, 2022**
- (51) **LOC (14) Cl.** **13-02**
- (52) **U.S. Cl.**
USPC **D13/110**
- (58) **Field of Classification Search**
USPC D13/101, 102, 103, 107, 108, 110, 118,
D13/119, 123, 184, 199; D14/251, 253,
D14/432, 434
CPC .. H02J 7/00; H02J 7/027; H02J 7/0042; H02J
7/0045; H02J 7/0047; H02J 7/0063; H02J
7/32; H02J 7/342; H02J 7/1423; H02M
7/00; H02M 7/003; H01M 2/202; H01M
2/204; H01M 2/1022; H01M 2/342;
H01M 10/441; H01M 10/613; H01M
10/627; H01M 10/658; H05K 5/0247;
H05K 7/1432; Y02T 10/7005; Y02T
10/705; Y02T 10/7088; F21L 4/00; Y02E
60/12; Y02E 60/50

See application file for complete search history.

(56) **References Cited**

U.S. PATENT DOCUMENTS

D386,148 S *	11/1997	Katooka	D13/110
D813,161 S *	3/2018	Ortakales	D13/110
D870,042 S *	12/2019	Chen	D13/110
D870,043 S *	12/2019	Xu	D13/110
D916,658 S *	4/2021	Jiang	D13/110
D931,804 S *	9/2021	Xiong	D13/103
D940,068 S *	1/2022	Mao	D13/103
D942,391 S *	2/2022	Yin	D13/110
D960,096 S	8/2022	Li		

* cited by examiner

Primary Examiner — Derrick E Holland

(57) **CLAIM**

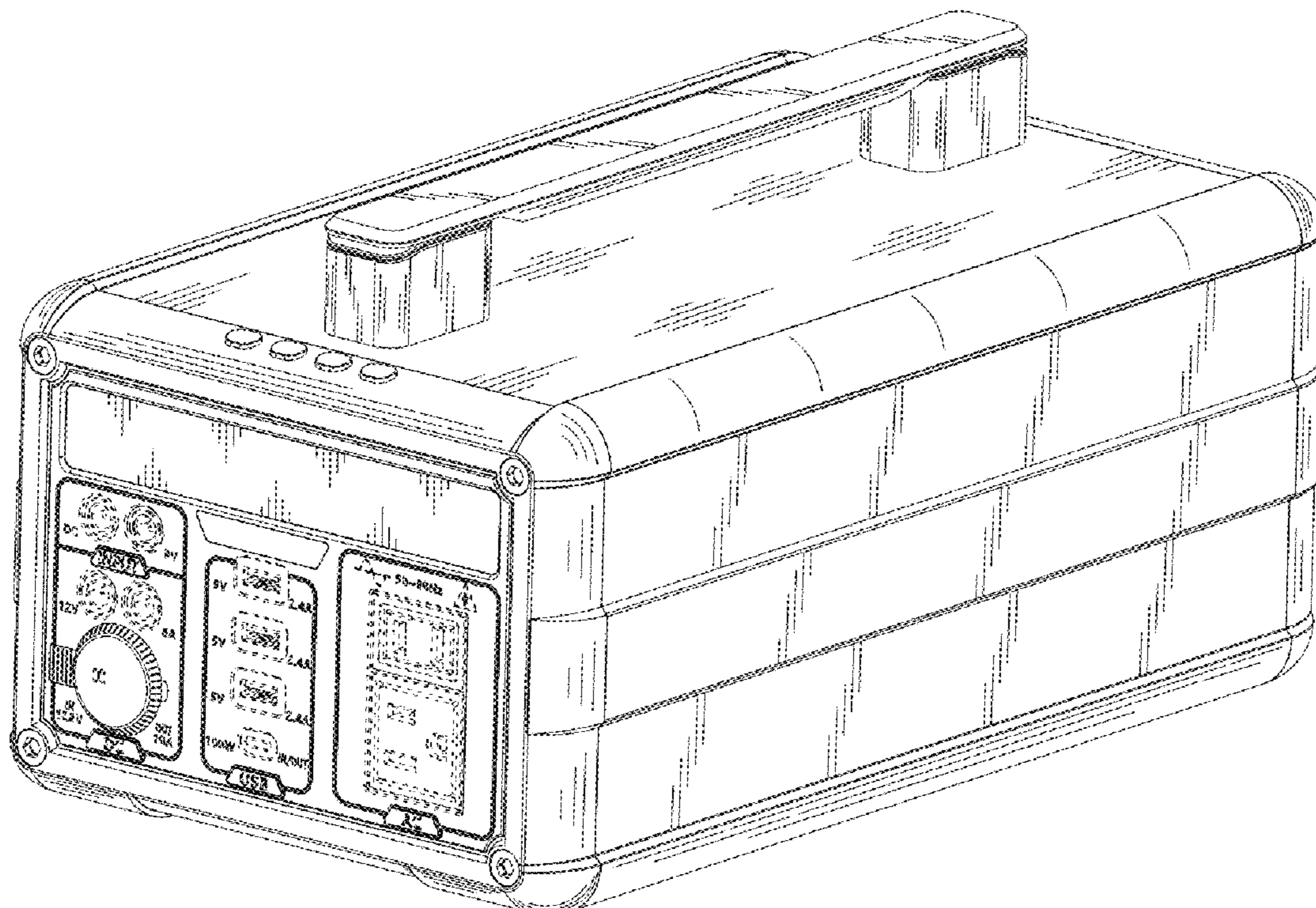
The ornamental design for a portable power station, as shown and described.

DESCRIPTION

FIG. 1 is a front, top and right side perspective view of a portable power station, showing my new design;
 FIG. 2 is a front view thereof;
 FIG. 3 is a rear view thereof;
 FIG. 4 is a left side view thereof;
 FIG. 5 is a right side view thereof;
 FIG. 6 is a top view thereof; and,
 FIG. 7 is a bottom view thereof.

The broken lines in the drawings illustrate the portions of the portable power station, which form no part of the claimed design.

1 Claim, 7 Drawing Sheets



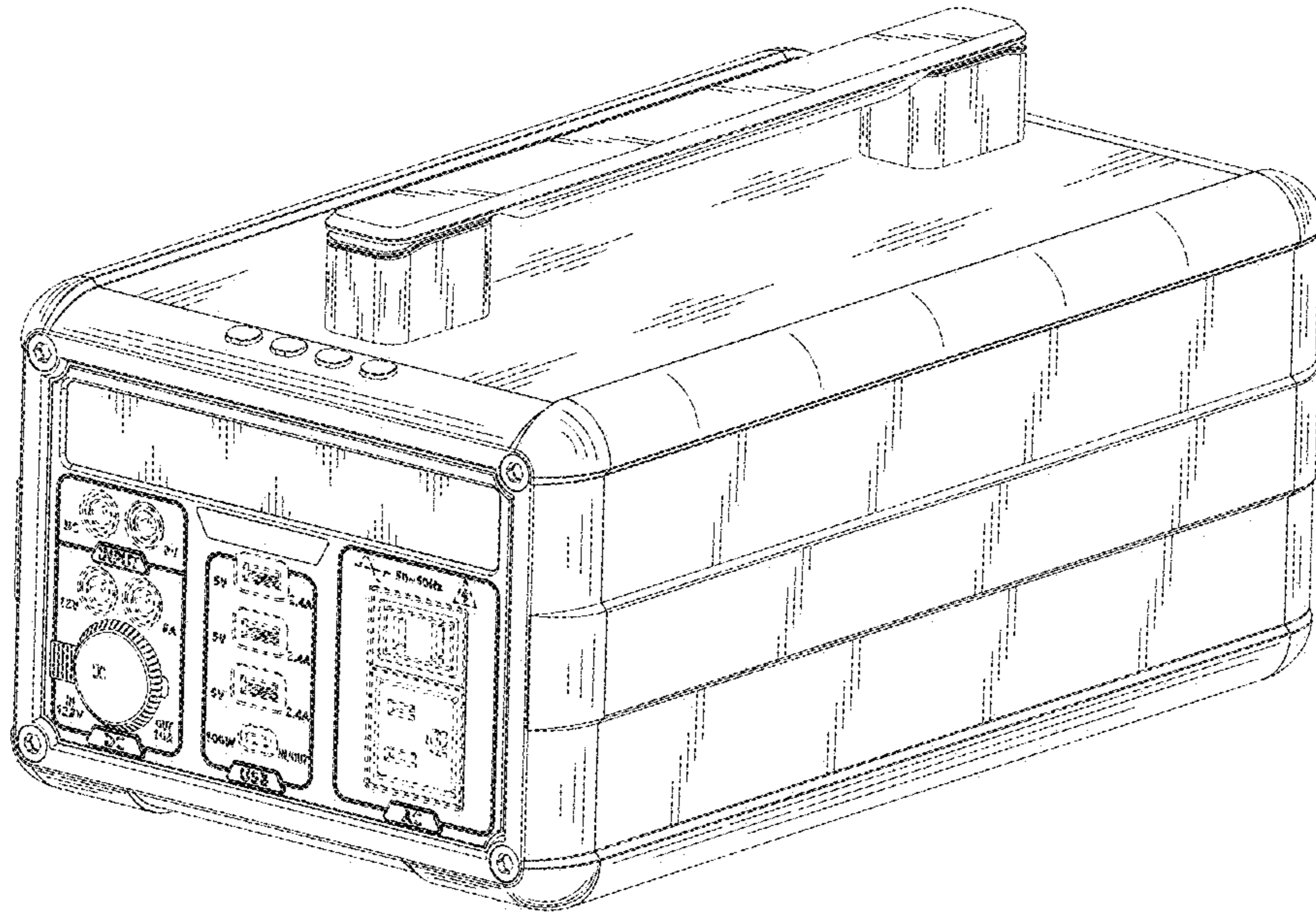


FIG. 1

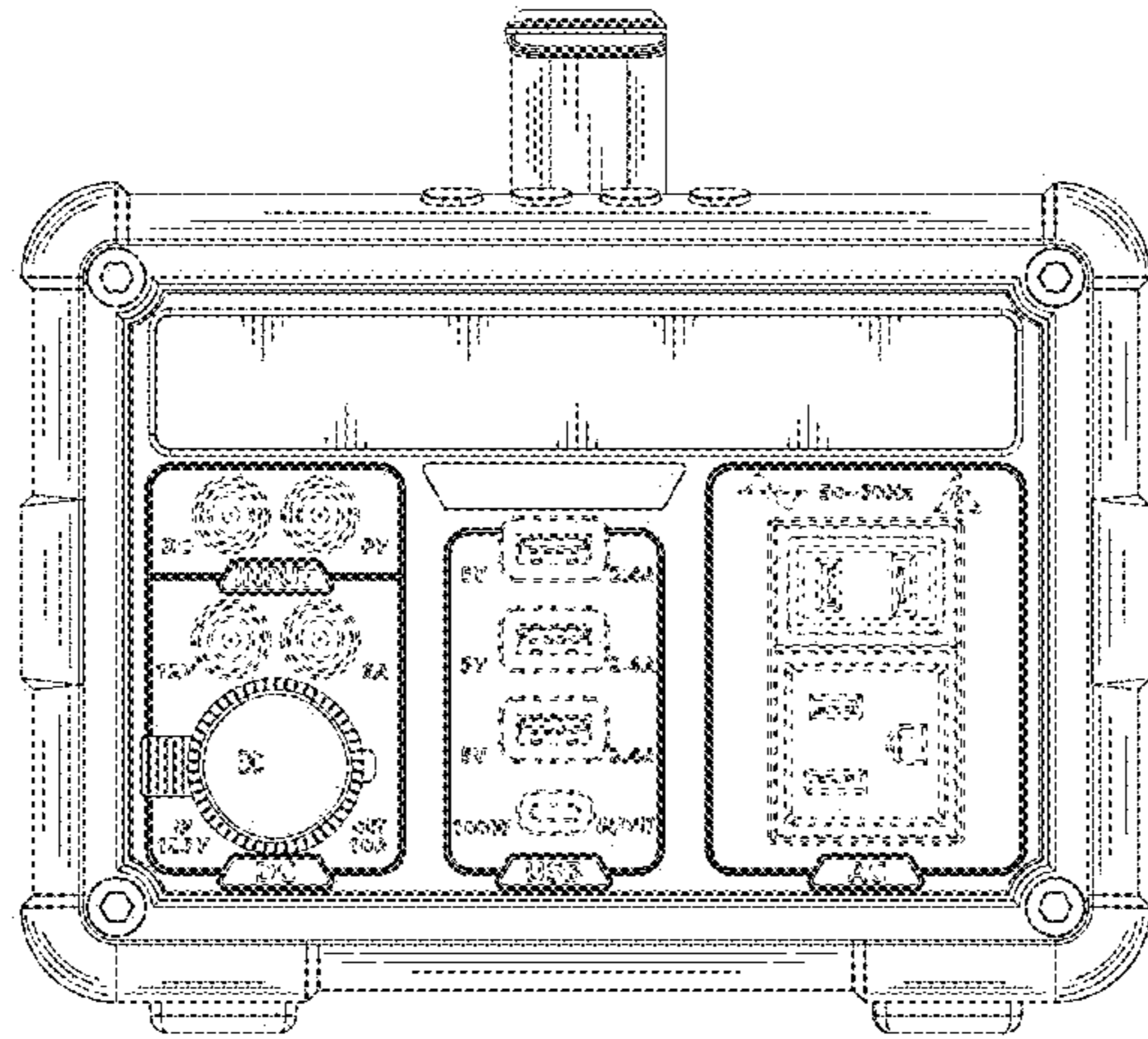


FIG. 2

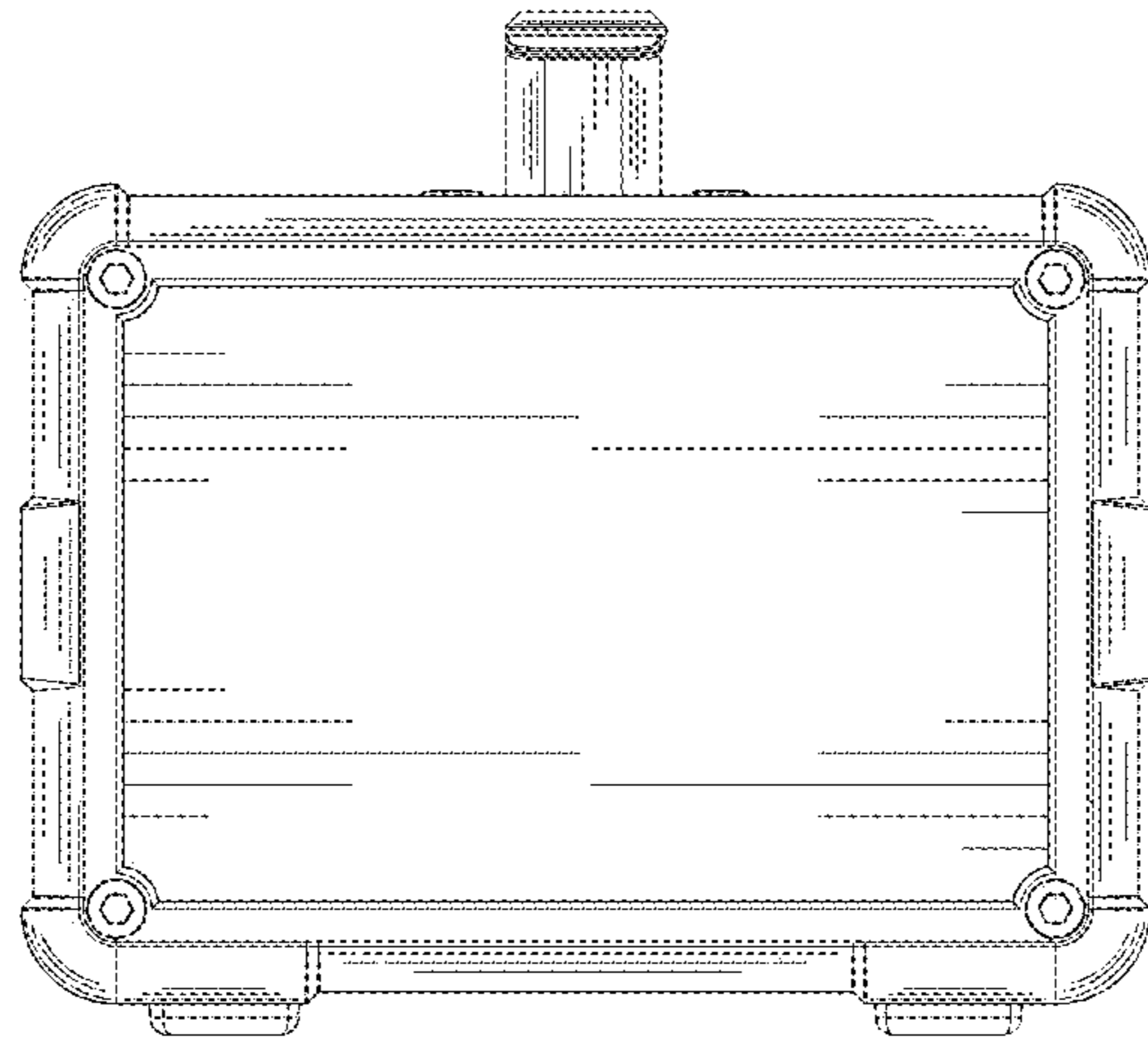


FIG. 3

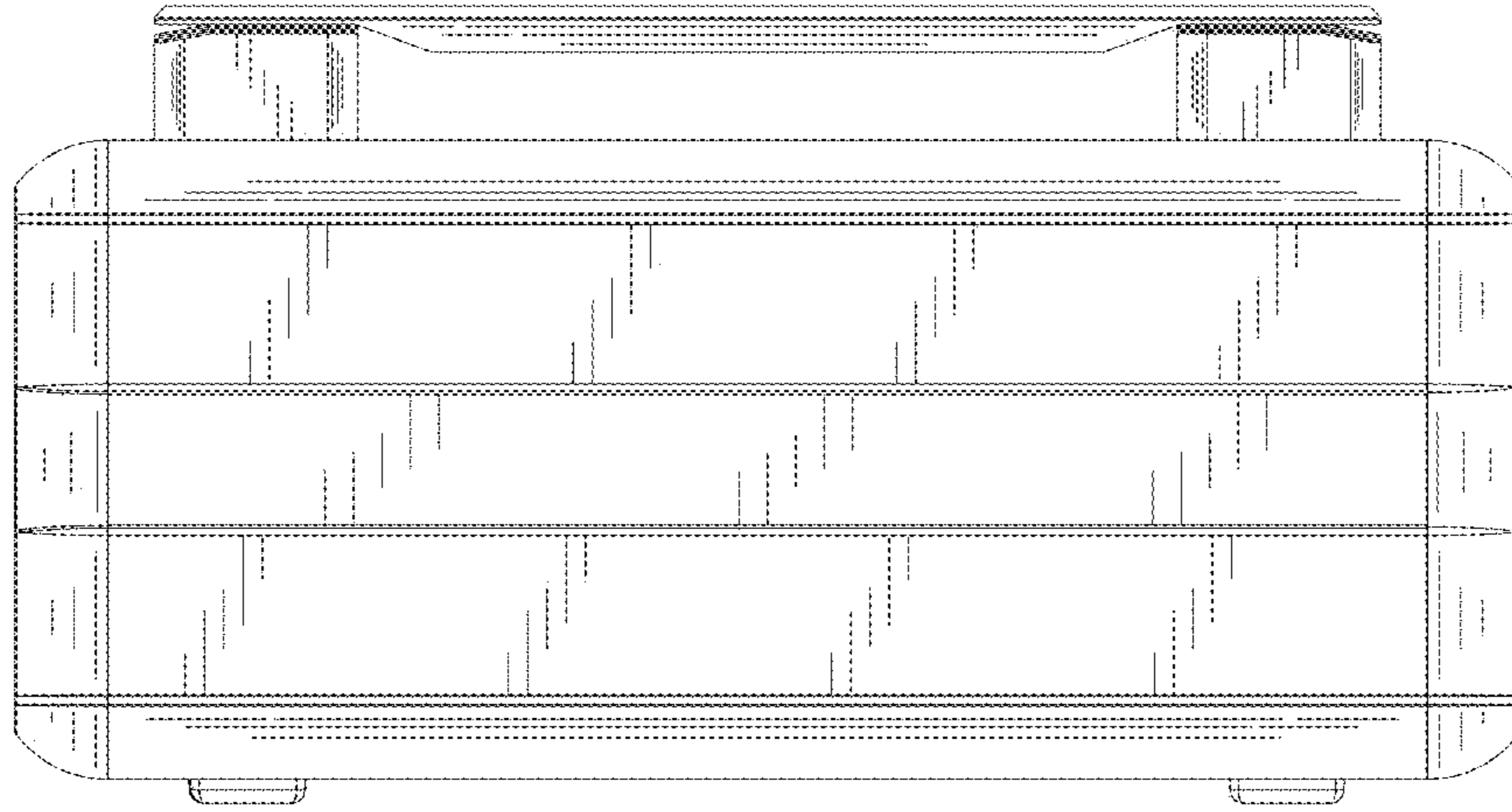


FIG. 4

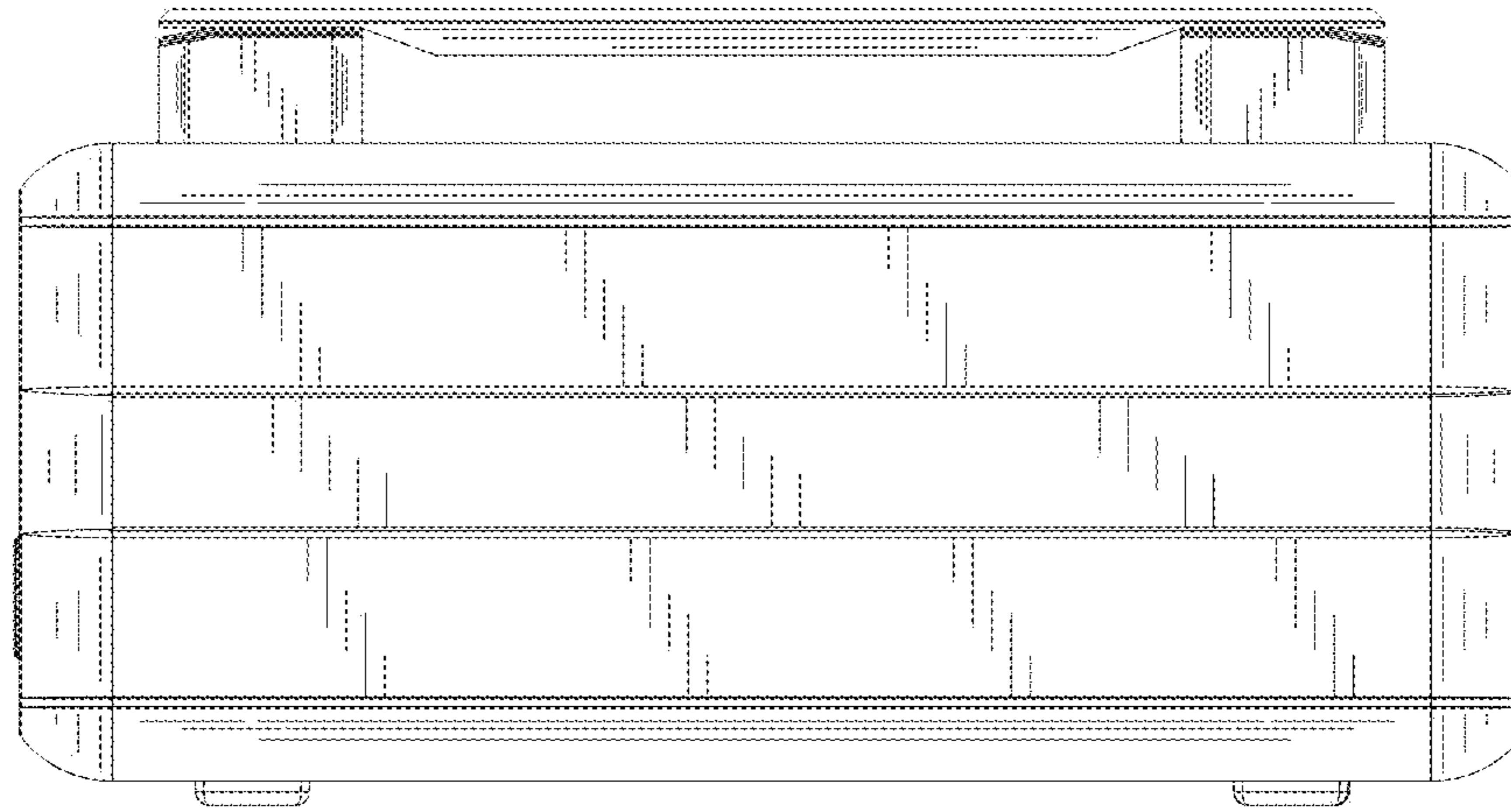


FIG. 5

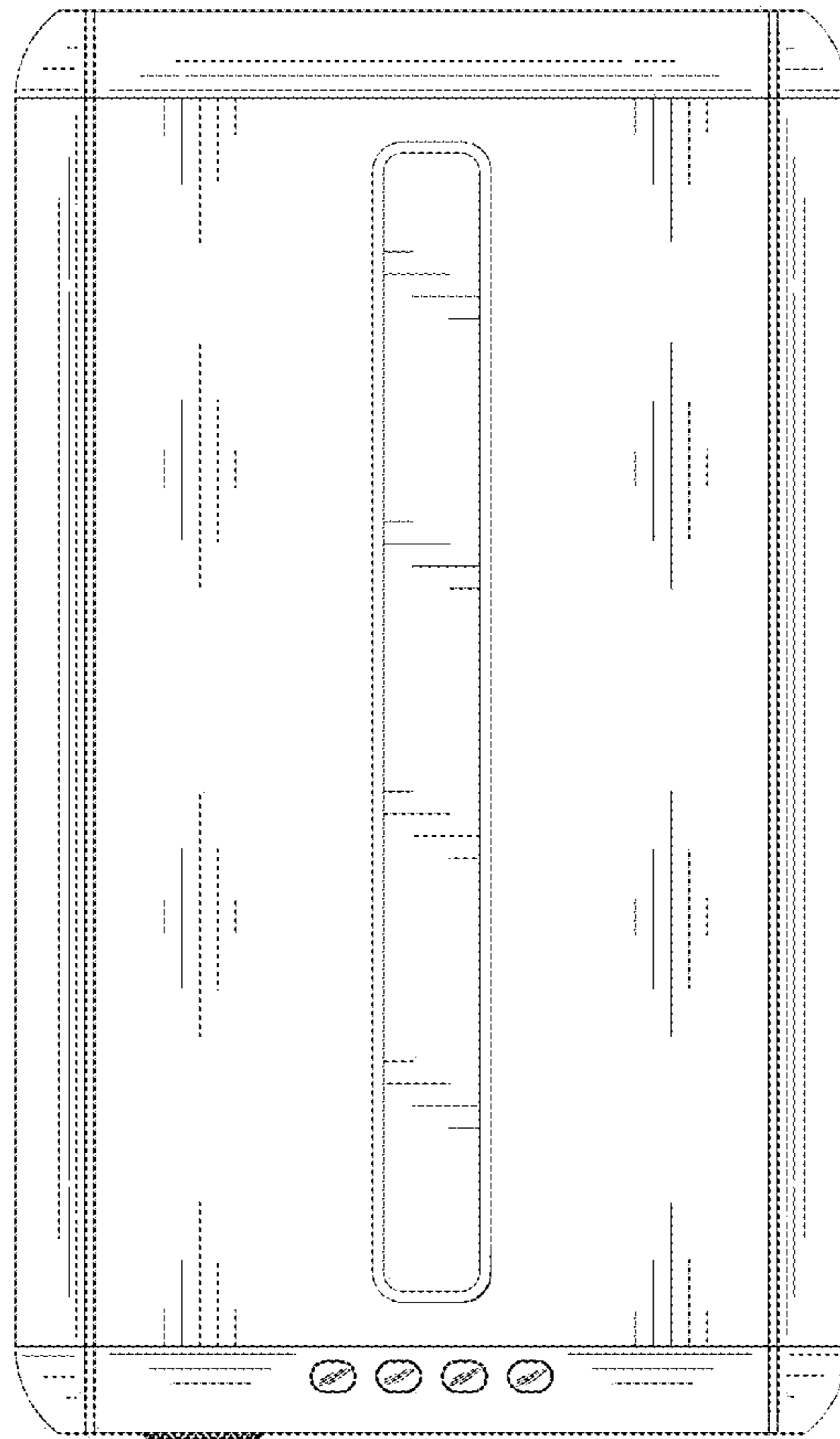


FIG. 6

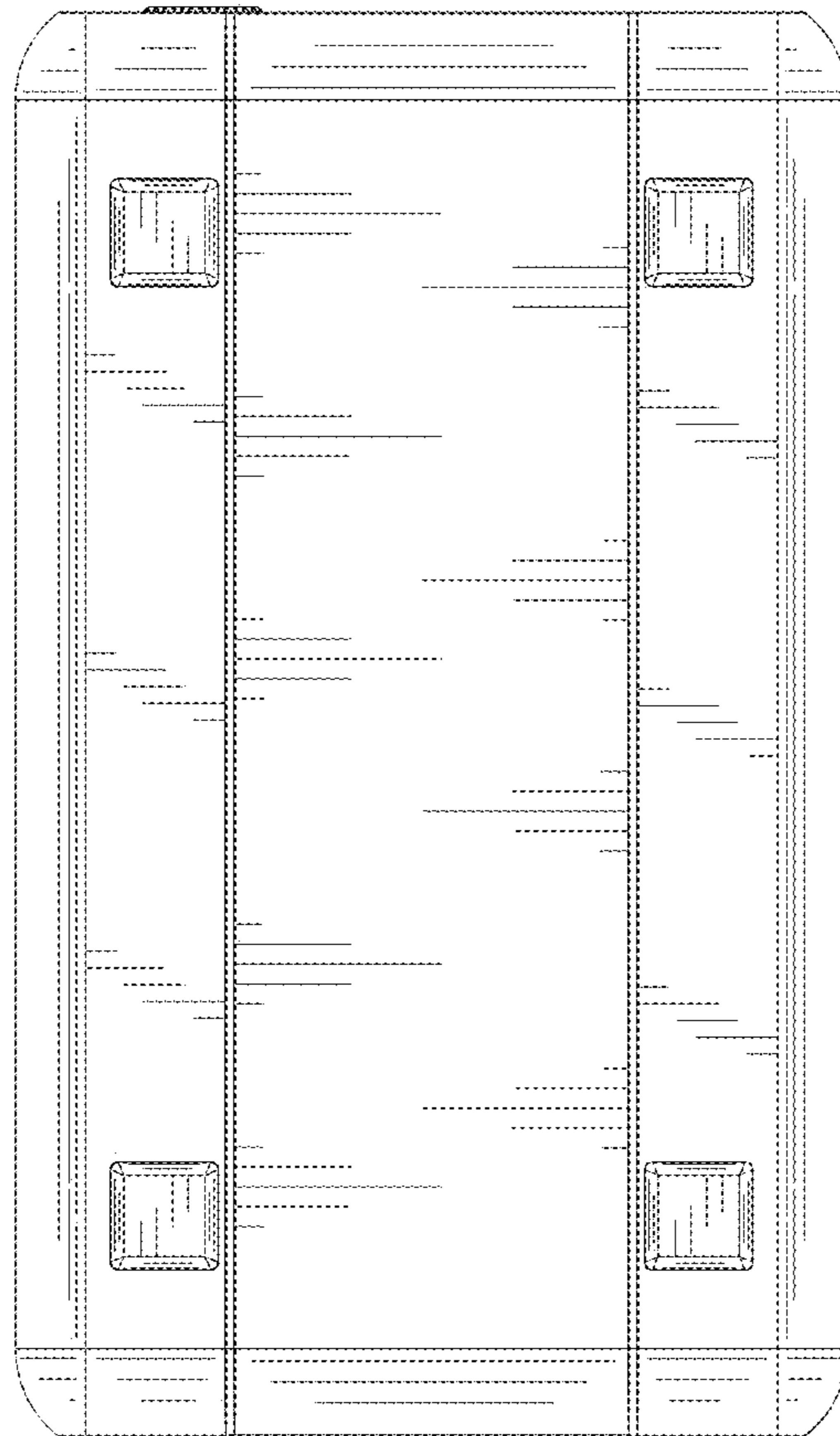


FIG. 7