



US00D979496S

(12) **United States Design Patent** (10) **Patent No.:** **US D979,496 S**  
**Jin et al.** (45) **Date of Patent:** **\*\* Feb. 28, 2023**

(54) **CHARGING PILE** D830,969 S \* 10/2018 Wang ..... D13/107  
D842,242 S \* 3/2019 Zhang ..... D13/107  
(71) Applicant: **Ninebot (Beijing) Tech Co., Ltd.,** D876,341 S \* 2/2020 Tomasson ..... D13/107  
Beijing (CN) D892,726 S \* 8/2020 Wang ..... D13/107  
(72) Inventors: **Zheng Jin, Beijing (CN); Lei Liu,** D938,348 S \* 12/2021 Long ..... D13/107  
Beijing (CN) D944,727 S \* 3/2022 Long ..... D13/107  
D959,366 S \* 8/2022 Lai ..... D13/103  
D961,503 S \* 8/2022 Fu ..... D13/107  
D962,165 S \* 8/2022 Barr ..... D13/110  
D963,566 S \* 9/2022 Huang ..... D13/103  
(\*\*) Term: **15 Years** 2021/0362611 A1\* 11/2021 Sun ..... B60L 53/22

(21) Appl. No.: **35/512,263**

(22) Filed: **Jan. 22, 2021**

(80) **Hague Agreement Data**

Int. Filing Date: **Jan. 22, 2021**  
Int. Reg. No.: **DM/212636**  
Int. Reg. Date: **Jan. 22, 2021**  
Int. Reg. Pub. Date: **Jul. 23, 2021**

(30) **Foreign Application Priority Data**

Jul. 31, 2020 (CN) ..... 202030427778.7

(51) **LOC (14) Cl.** ..... **13-02**

(52) **U.S. Cl.**  
USPC ..... **D13/108**

(58) **Field of Classification Search**  
USPC ..... D13/108, 107, 110, 103  
CPC ..... B60L 53/22; B60K 1/04; F24D 5/00  
See application file for complete search history.

(56) **References Cited**

**U.S. PATENT DOCUMENTS**

208,633 A \* 10/1878 Prall ..... F24D 5/00  
237/13  
5,667,907 A \* 9/1997 Audit ..... B60K 1/04  
429/94  
D659,635 S \* 5/2012 Hou ..... D13/107  
D830,968 S \* 10/2018 Wang ..... D13/107

\* cited by examiner

*Primary Examiner* — Rhea Shields

(57) **CLAIM**

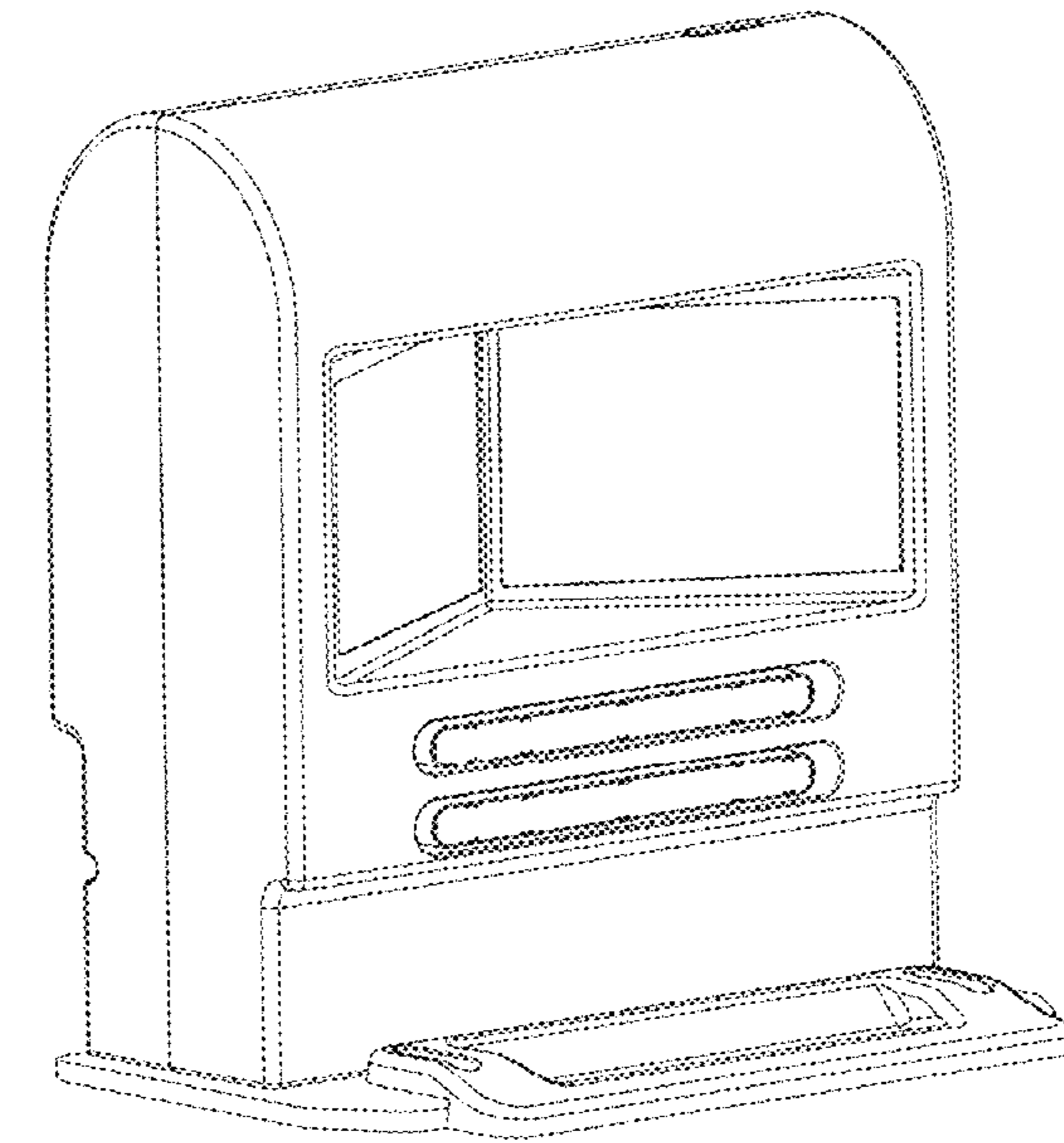
The ornamental design for a charging pile, as shown and described.

**DESCRIPTION**

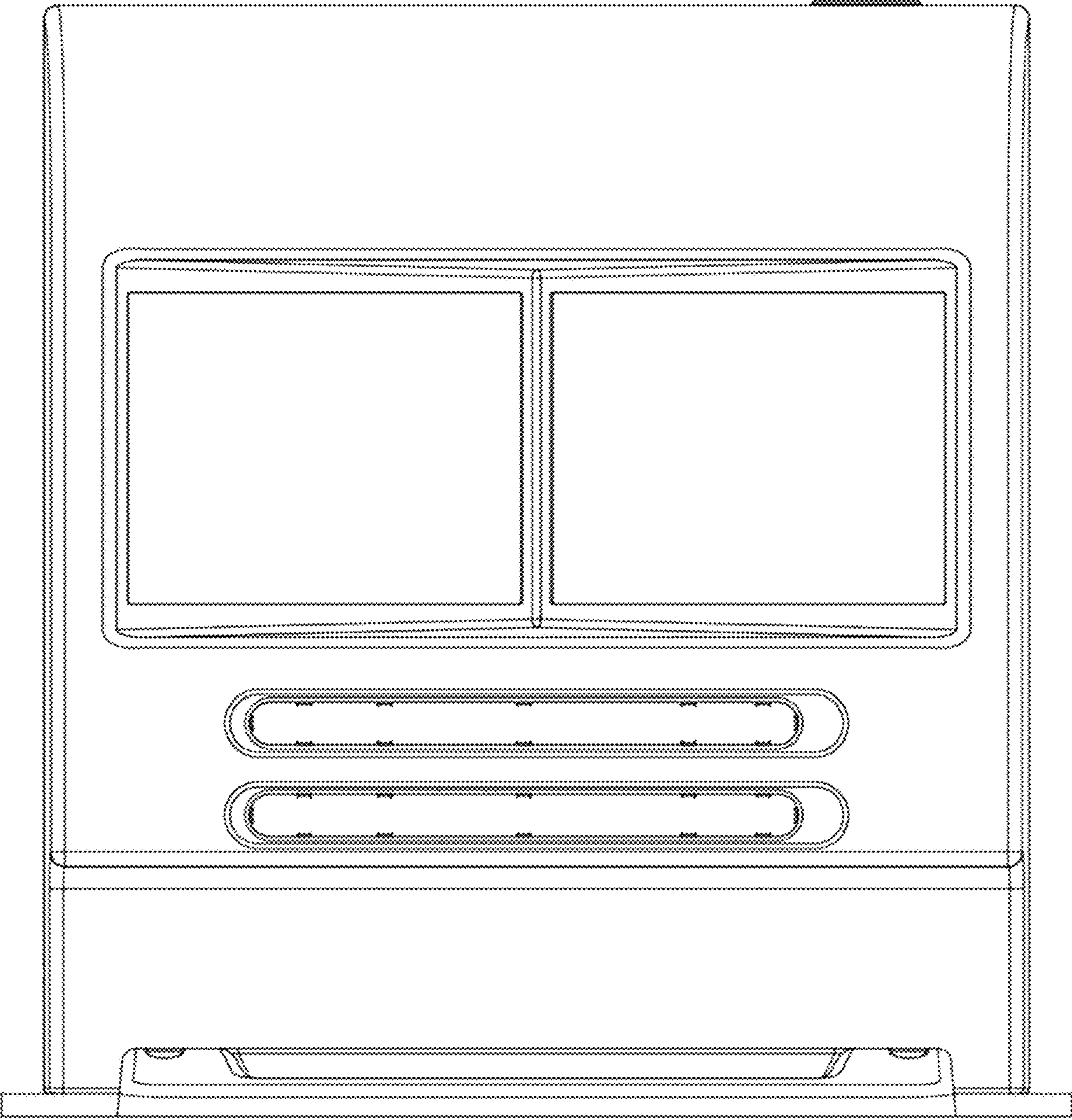
- 1. Charging pile
- 2. Charging pile
- 1.1: Front
- 1.2: Back
- 1.3: Left
- 1.4: Right
- 1.5: Top
- 1.6: Bottom
- 1.7: Perspective
- 2.1: Front
- 2.2: Back
- 2.3: Left
- 2.4: Right
- 2.5: Top
- 2.6: Bottom
- 2.7: Perspective

The broken lines show in design 1 are included for the purpose of illustrating portions of the charging pile and forms no part of the claimed design.

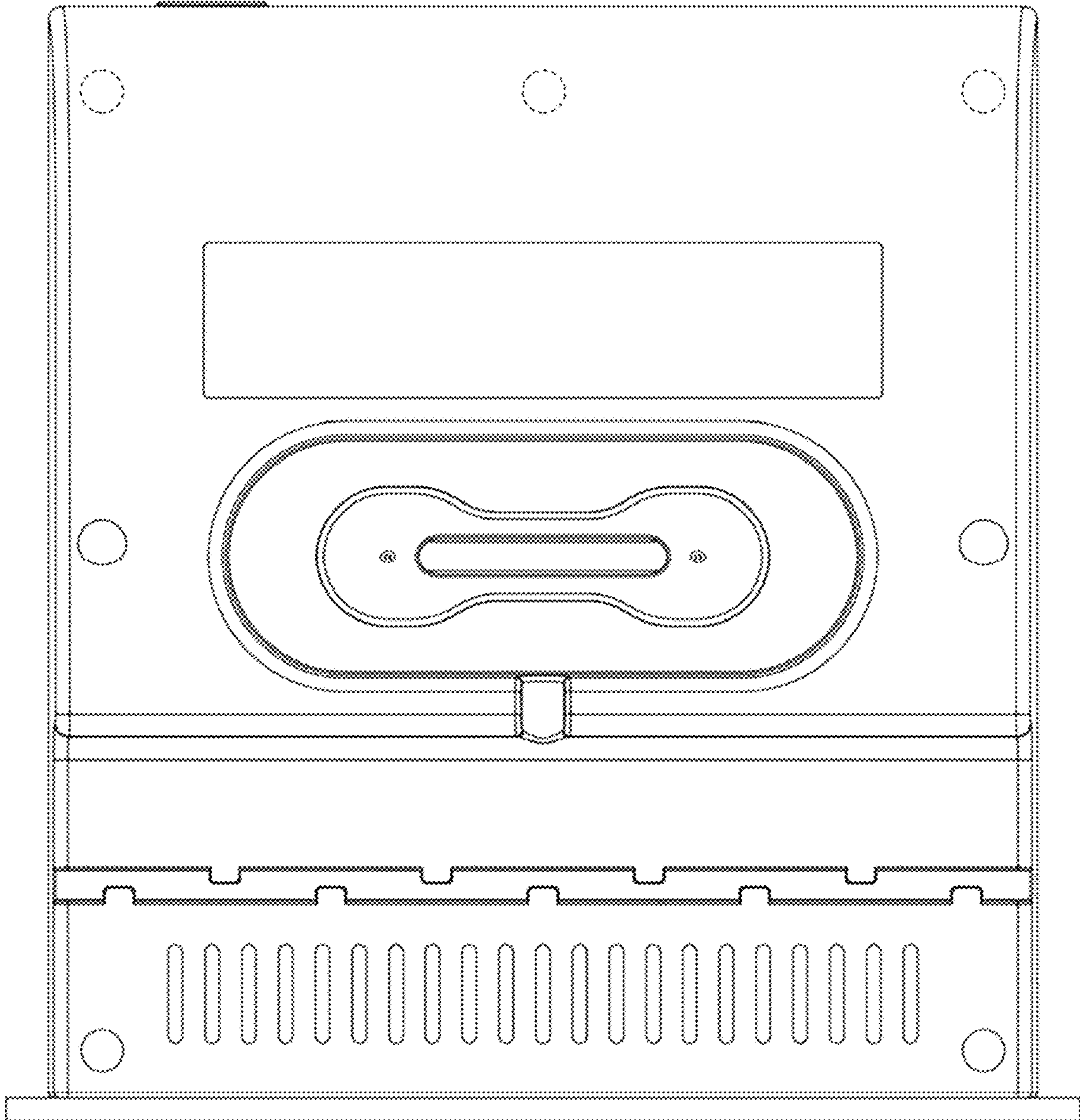
**1 Claim, 14 Drawing Sheets**



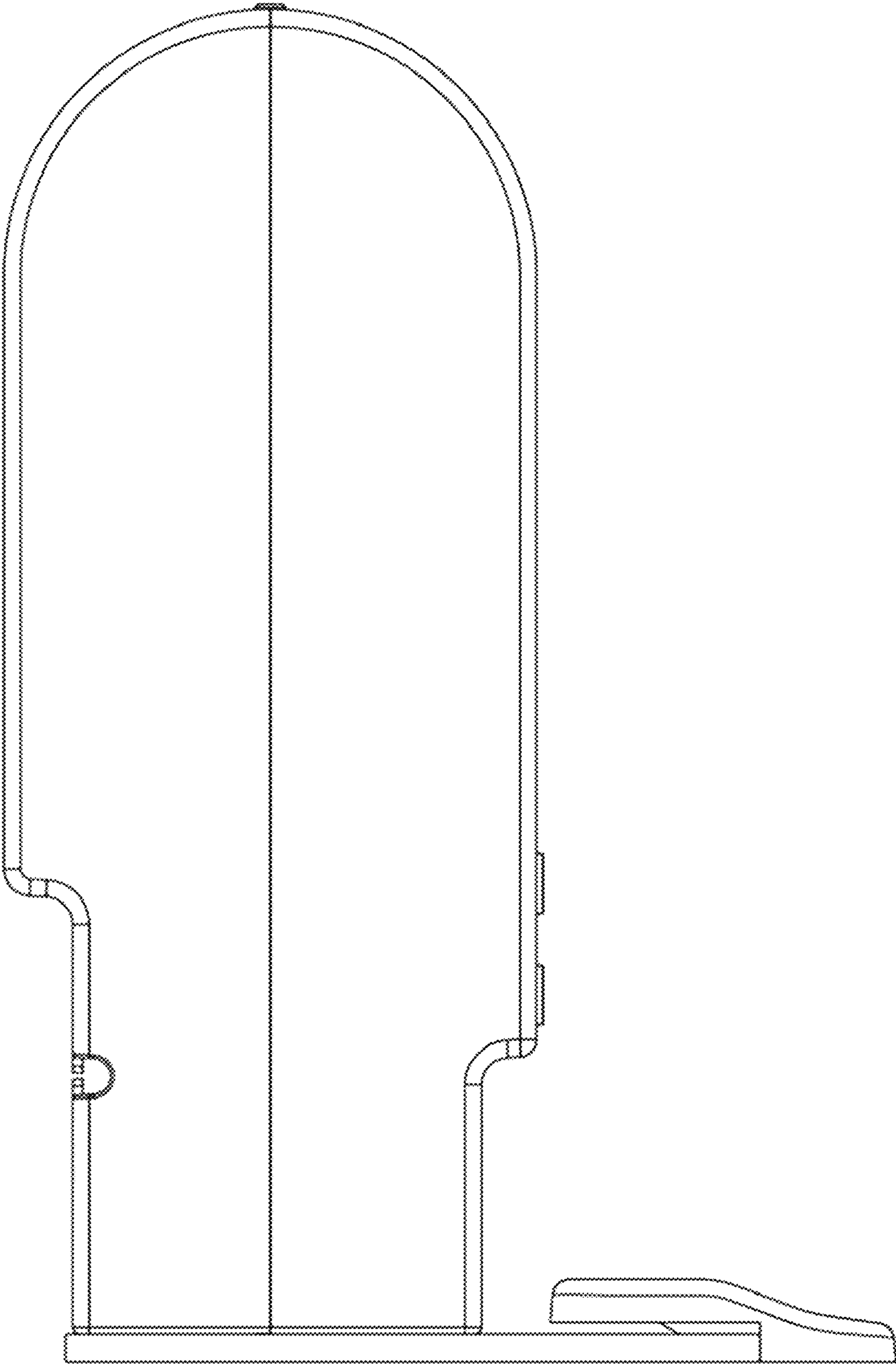
1.1



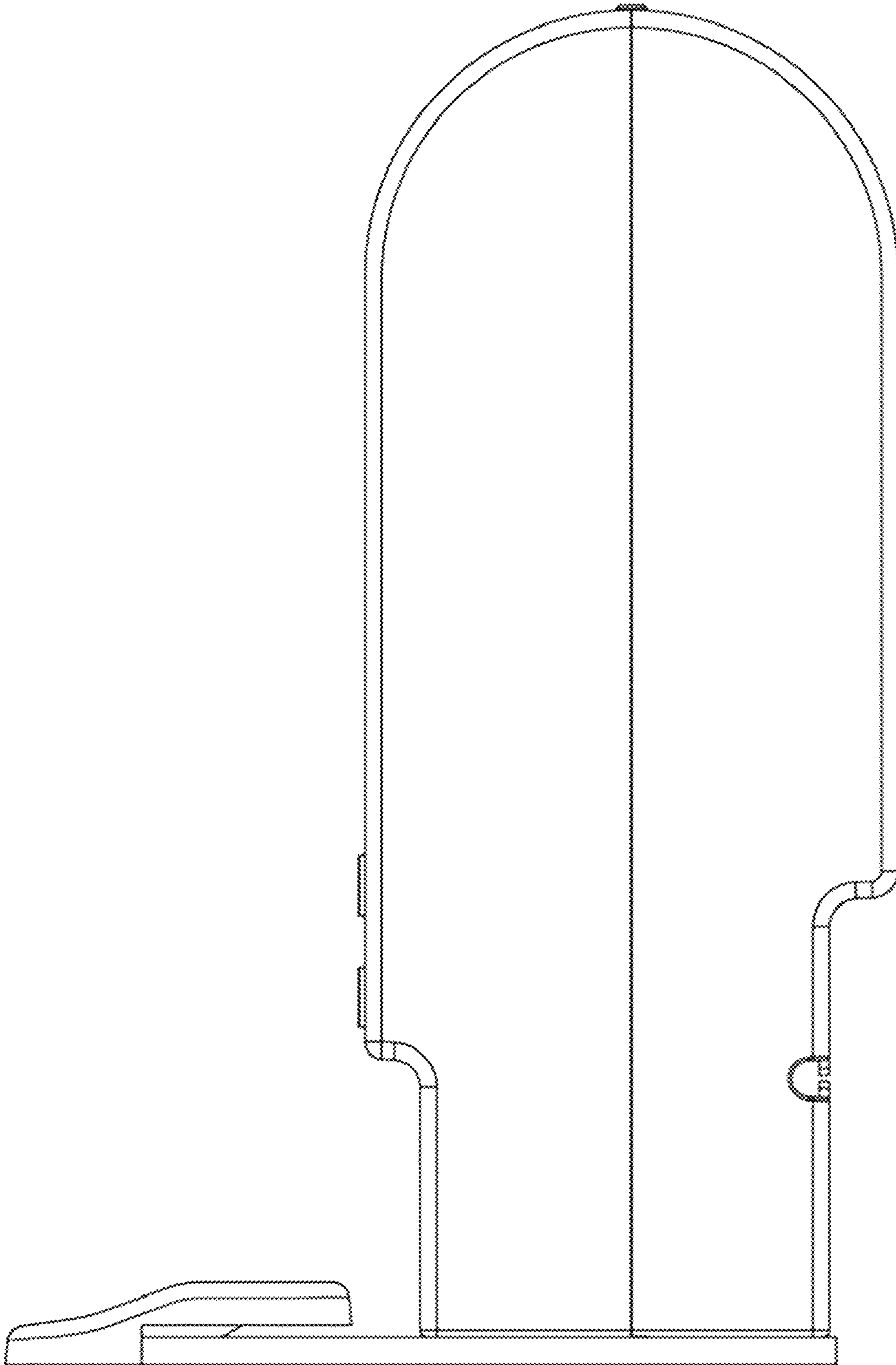
1.2



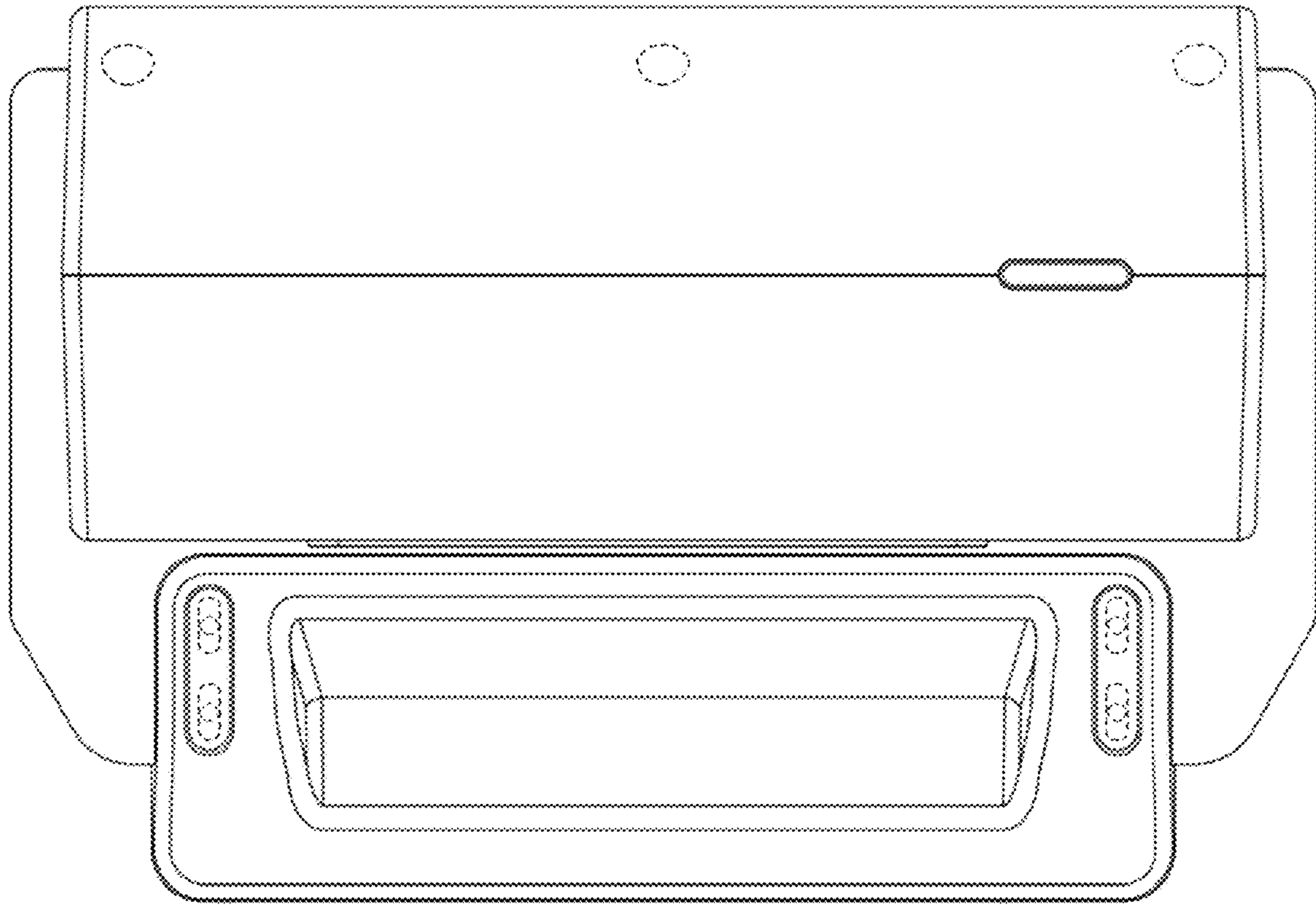
1.3



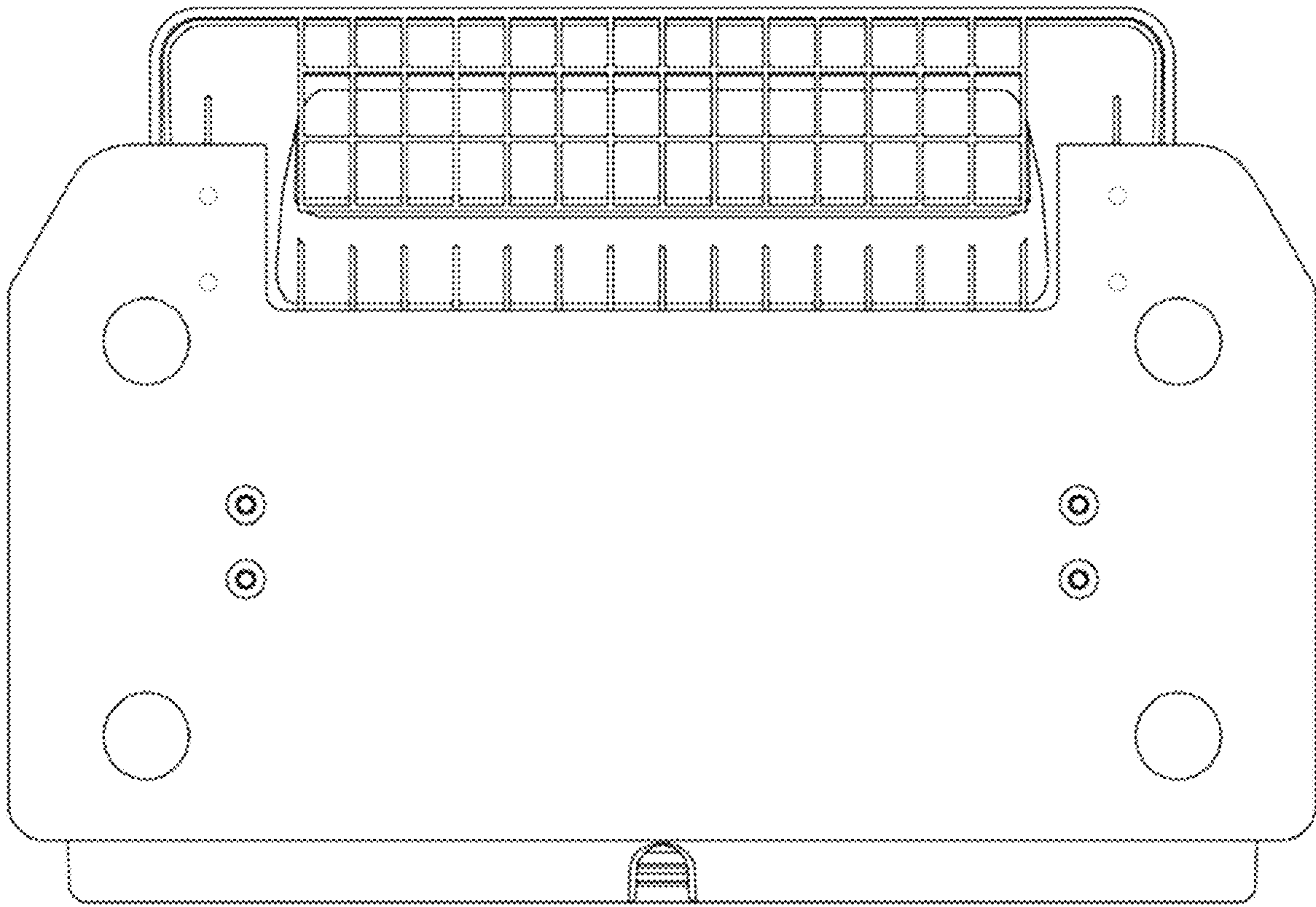
1.4



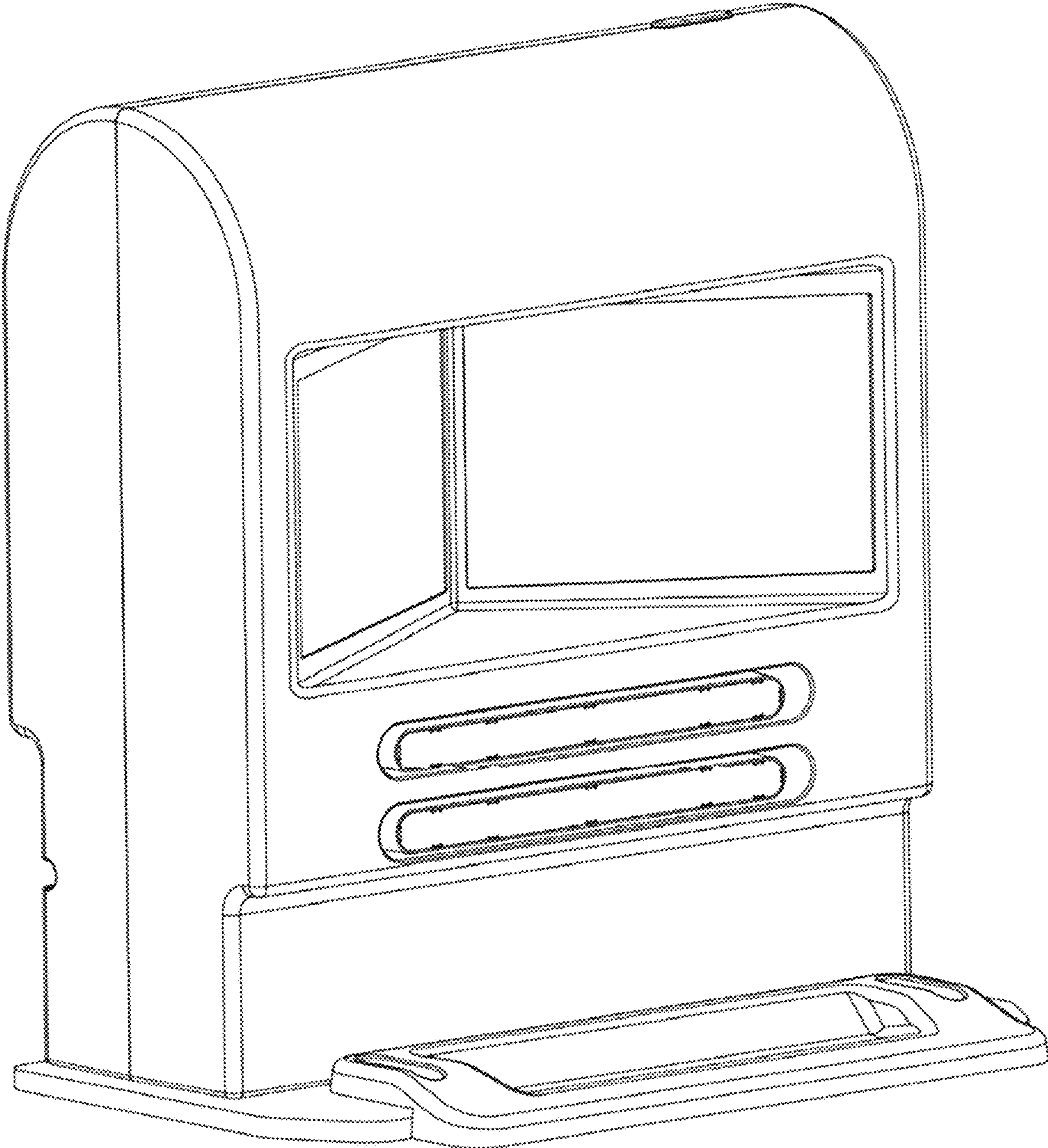
15



1.6

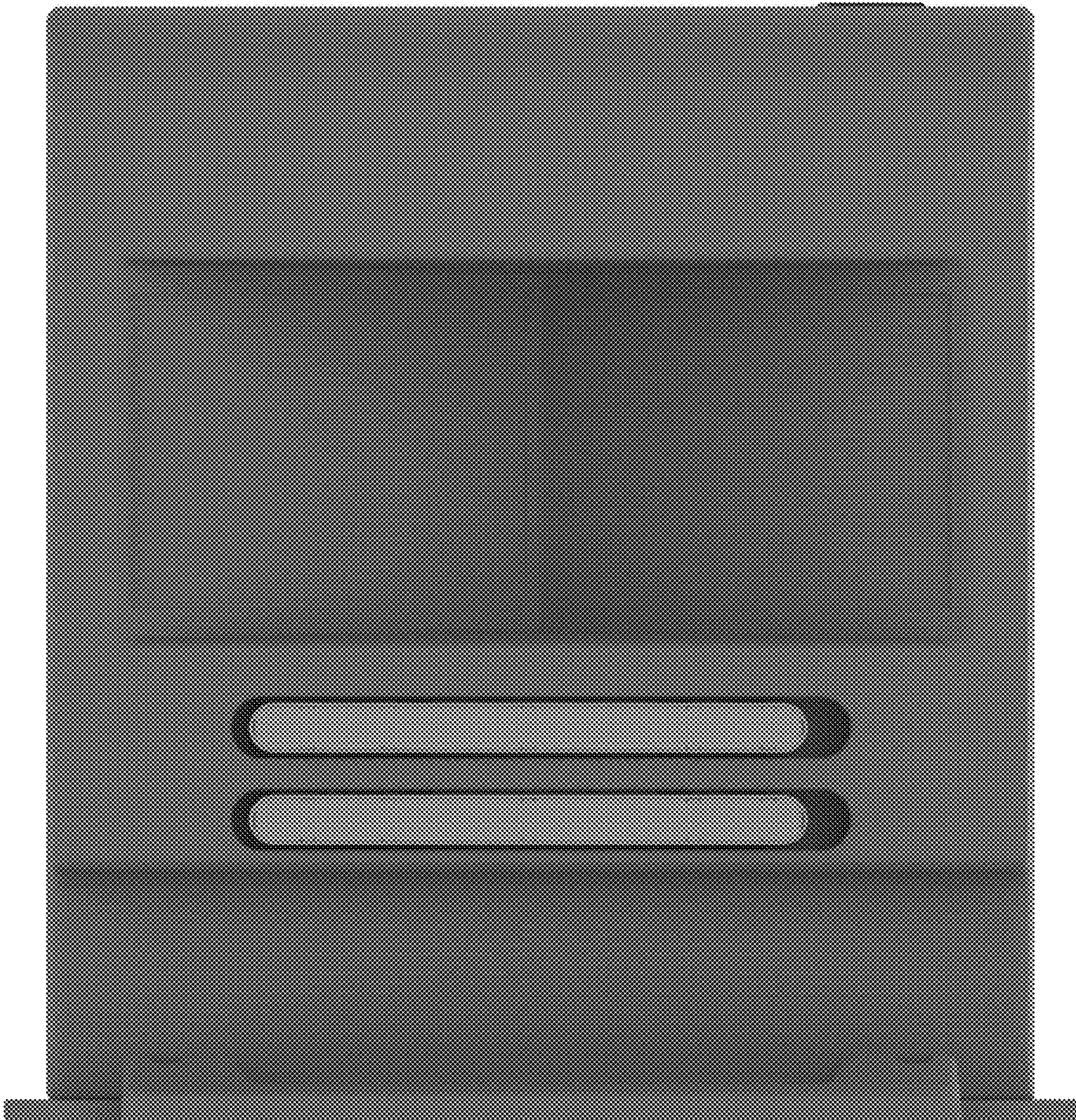


1.7

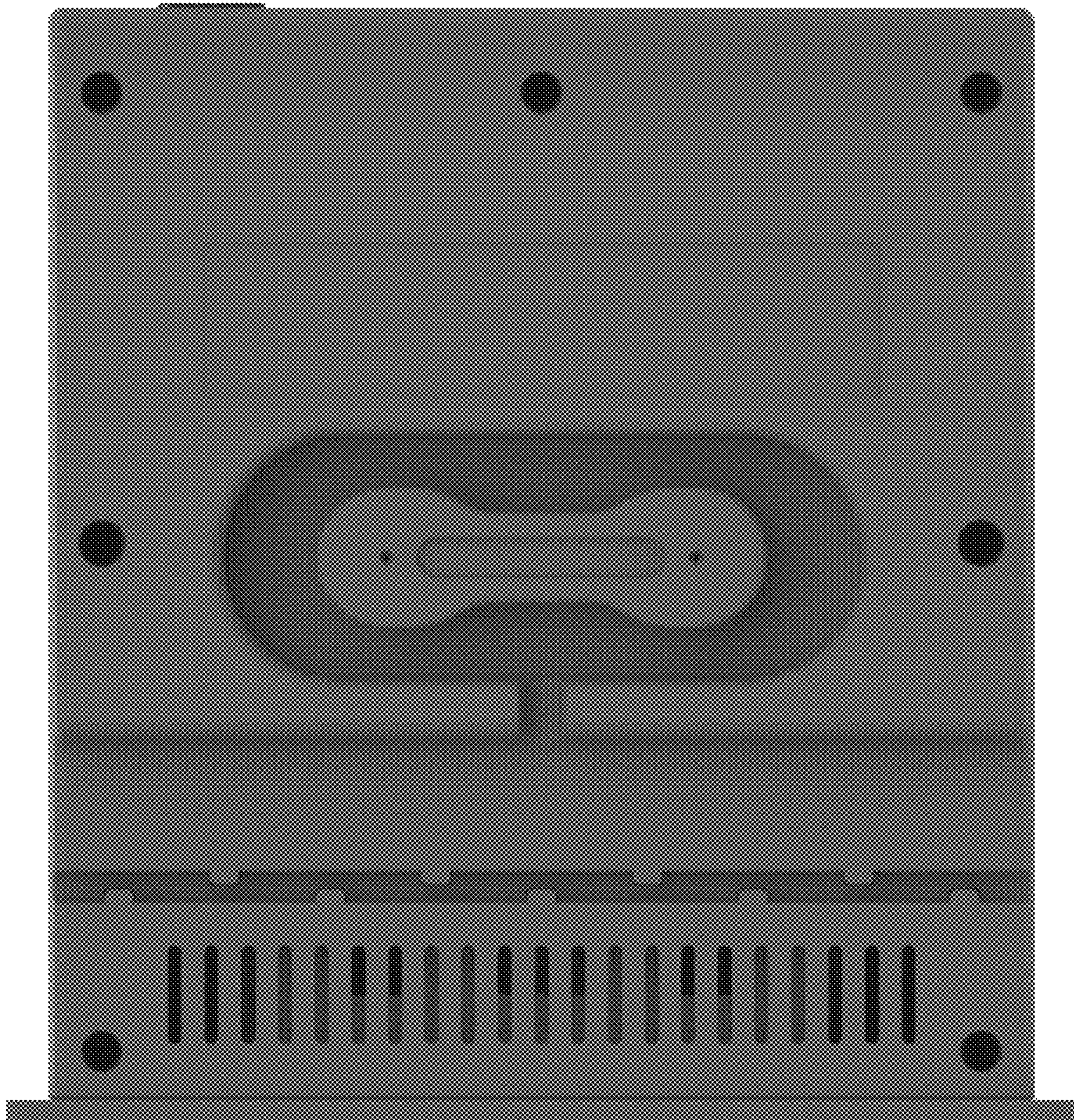




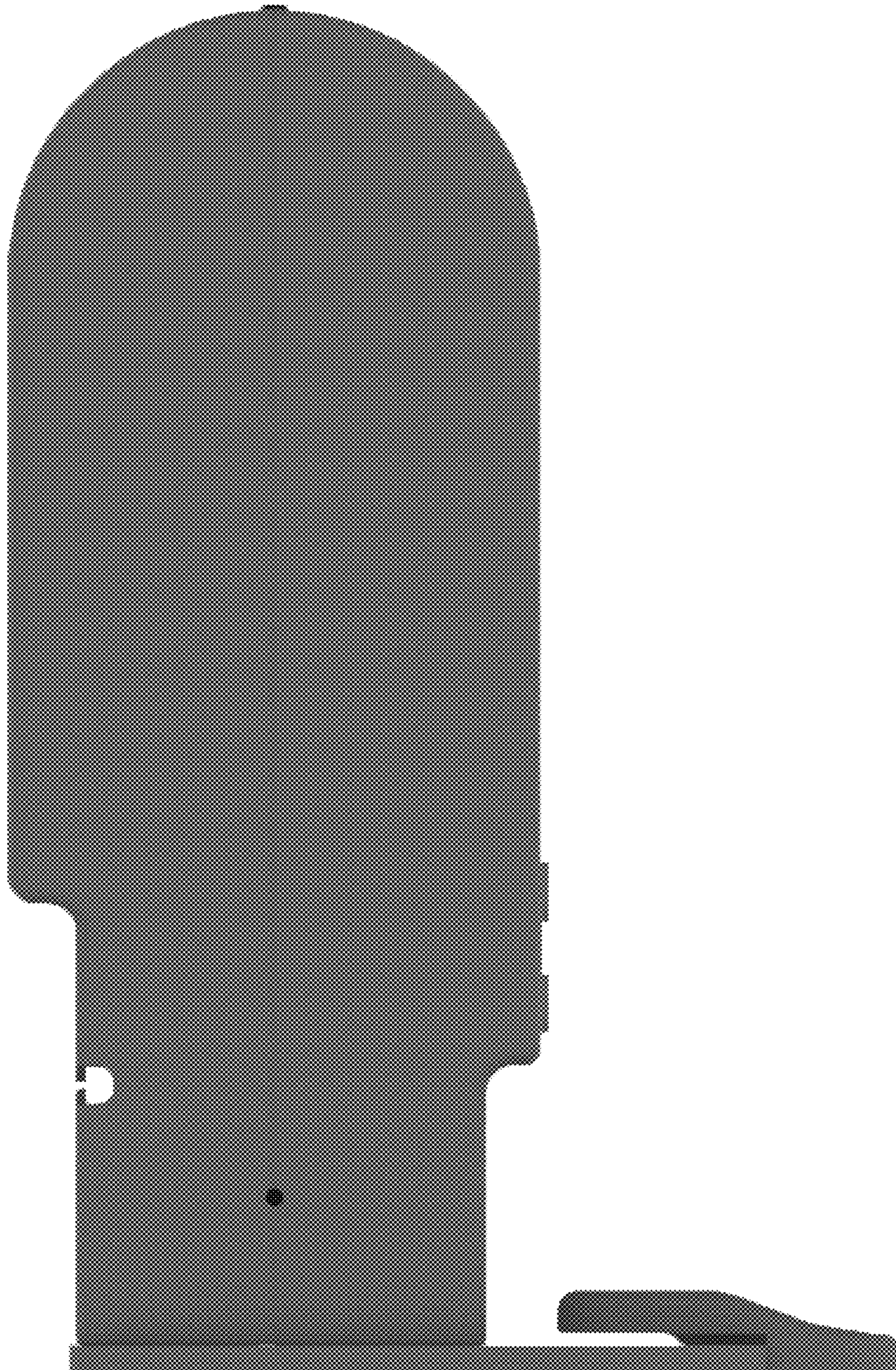
2.1



2.2



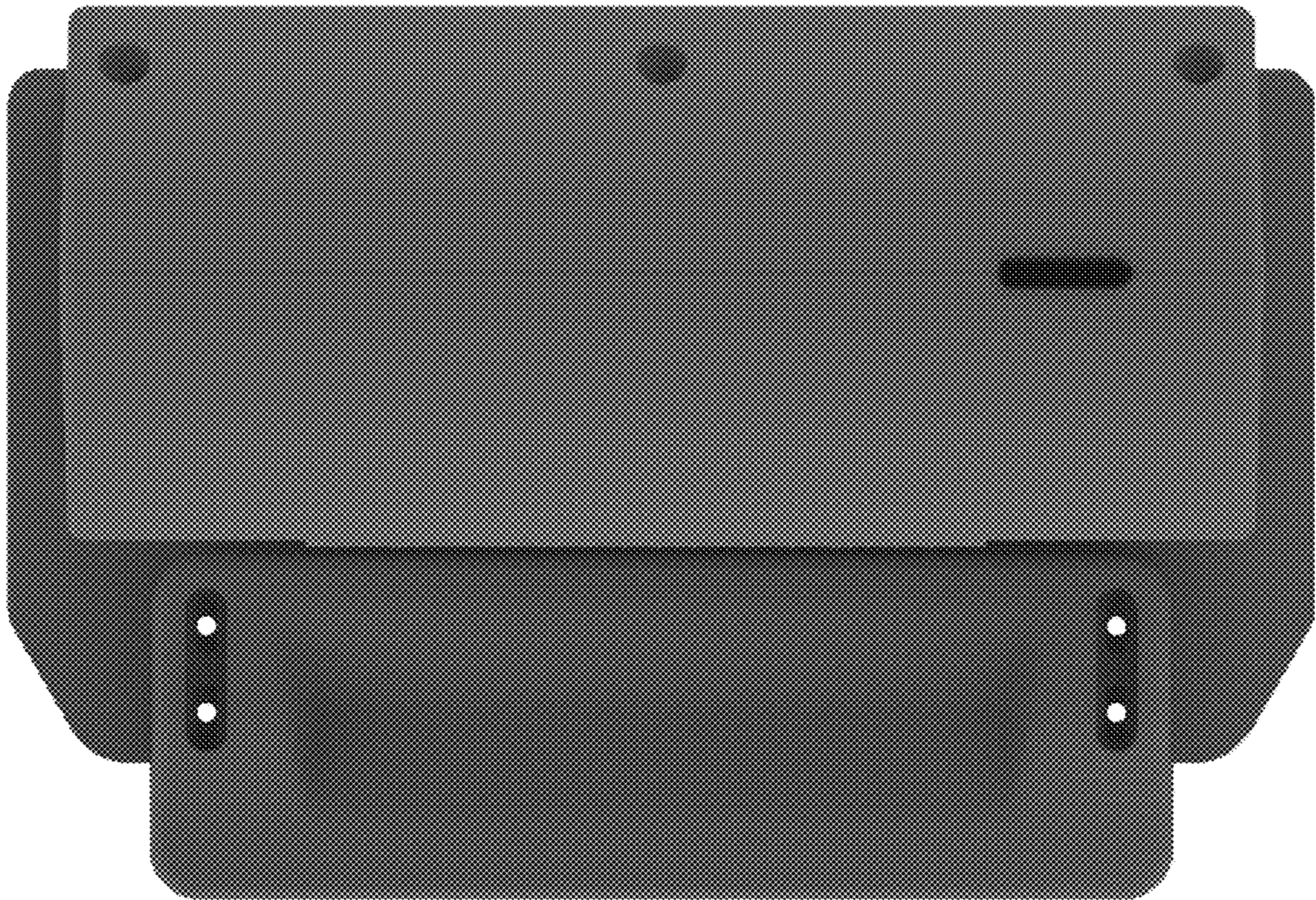
2.3



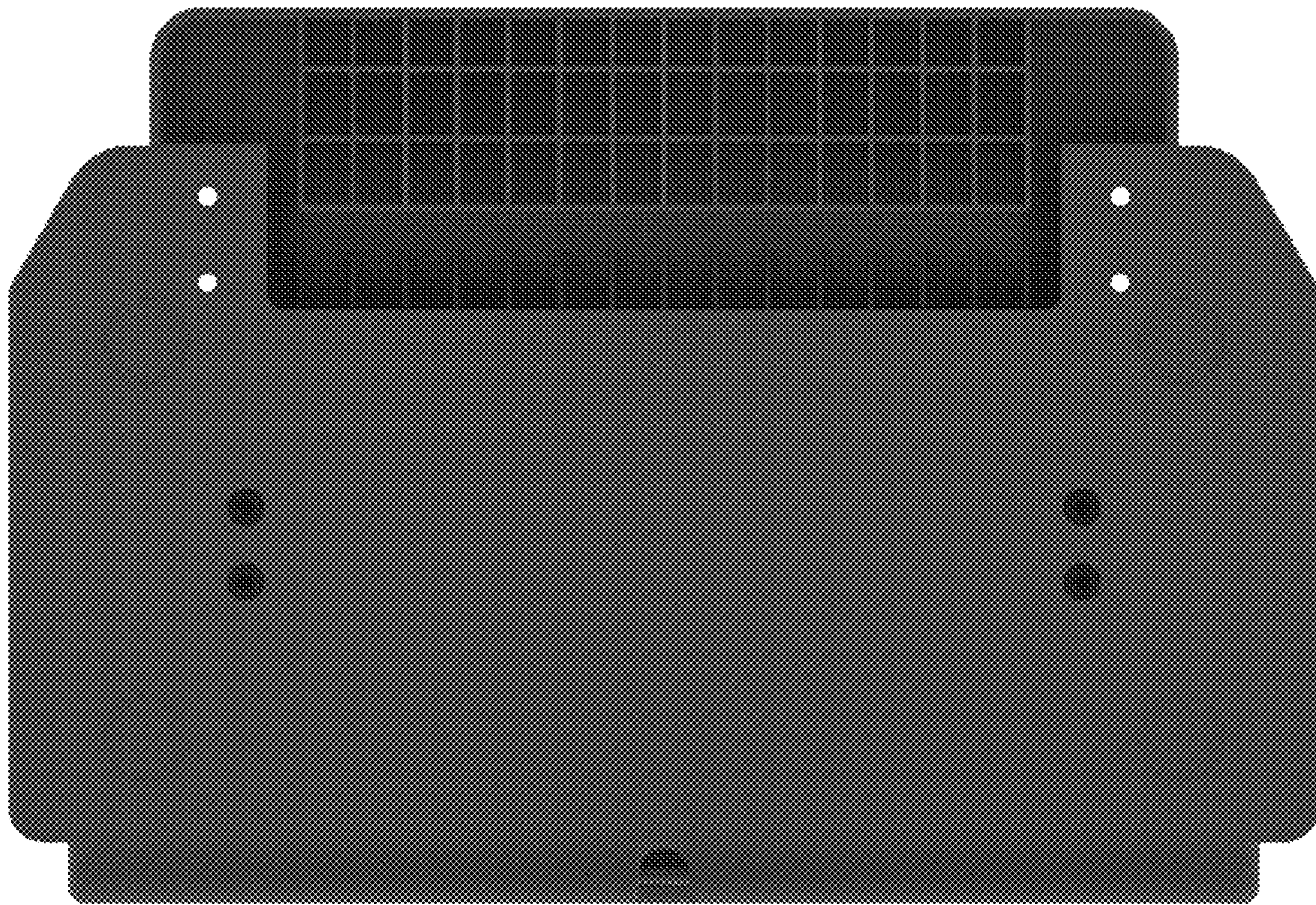
2.4



2.5



2.6



2.7

