



US00D979495S

(12) **United States Design Patent** (10) **Patent No.:** **US D979,495 S**  
**Sun** (45) **Date of Patent:** **\*\* Feb. 28, 2023**

(54) **WIRELESS CHARGER**

FOREIGN PATENT DOCUMENTS

(71) Applicant: **Shenzhen Xinzhaoyi Technology Co., Ltd.**, Shenzhen (CN)

EM 008917421-0001 \* 3/2022

(72) Inventor: **Zhaoqiang Sun**, Sichuan (CN)

OTHER PUBLICATIONS

(\*) Notice: Patent file contains an affidavit/declaration under 37 CFR 1.130(b).

“Moko Armor Wireless Charger”. Found online Jul. 26, 2022 at amazon.com. Reference dated Oct. 18, 2021. Retrieved from https://www.amazon.com/dp/B09JNVBVG5/ref=sspa\_dk\_detail\_2. (Year: 2021).\*

(\*\*) Term: **15 Years**

(Continued)

(21) Appl. No.: **29/831,946**

*Primary Examiner* — Kendra Leslie Hamilton  
*Assistant Examiner* — Amanda Christensen

(22) Filed: **Mar. 24, 2022**

(51) **LOC (14) Cl.** ..... **13-02**

(52) **U.S. Cl.**  
USPC ..... **D13/108**

(58) **Field of Classification Search**  
USPC ..... D13/103, 107, 108, 118, 119, 183;  
D14/217, 240, 251, 253, 432, 433, 434,  
D14/439, 447  
CPC ..... H02J 7/0049; H02J 50/05; H02J 7/0027;  
H04M 1/06  
See application file for complete search history.

(57) **CLAIM**

The ornamental design for a wireless charger, as shown and described.

**DESCRIPTION**

FIG. 1 is a front and top perspective view of a wireless charger, showing my new design;  
FIG. 2 is a rear and bottom perspective view thereof;  
FIG. 3 is a front elevation view thereof;  
FIG. 4 is a rear elevation view thereof;  
FIG. 5 is a left side elevation view thereof;  
FIG. 6 is a right side elevation view thereof;  
FIG. 7 is a top plan view thereof;  
FIG. 8 is a bottom plan view thereof;  
FIG. 9 is a top, front, right side perspective view of the wireless charger, shown in a first alternative position;  
FIG. 10 is a top, front, right side perspective view of the wireless charger, shown in a second alternative position;  
FIG. 11 is a top, front, right side perspective view of the wireless charger, shown in a third alternative position; and,  
FIG. 12 is a top, front, right side perspective view of the wireless charger, shown in a fourth alternative position.  
The broken lines in the figures illustrate portions of the wireless charger that form no part of the claimed design.

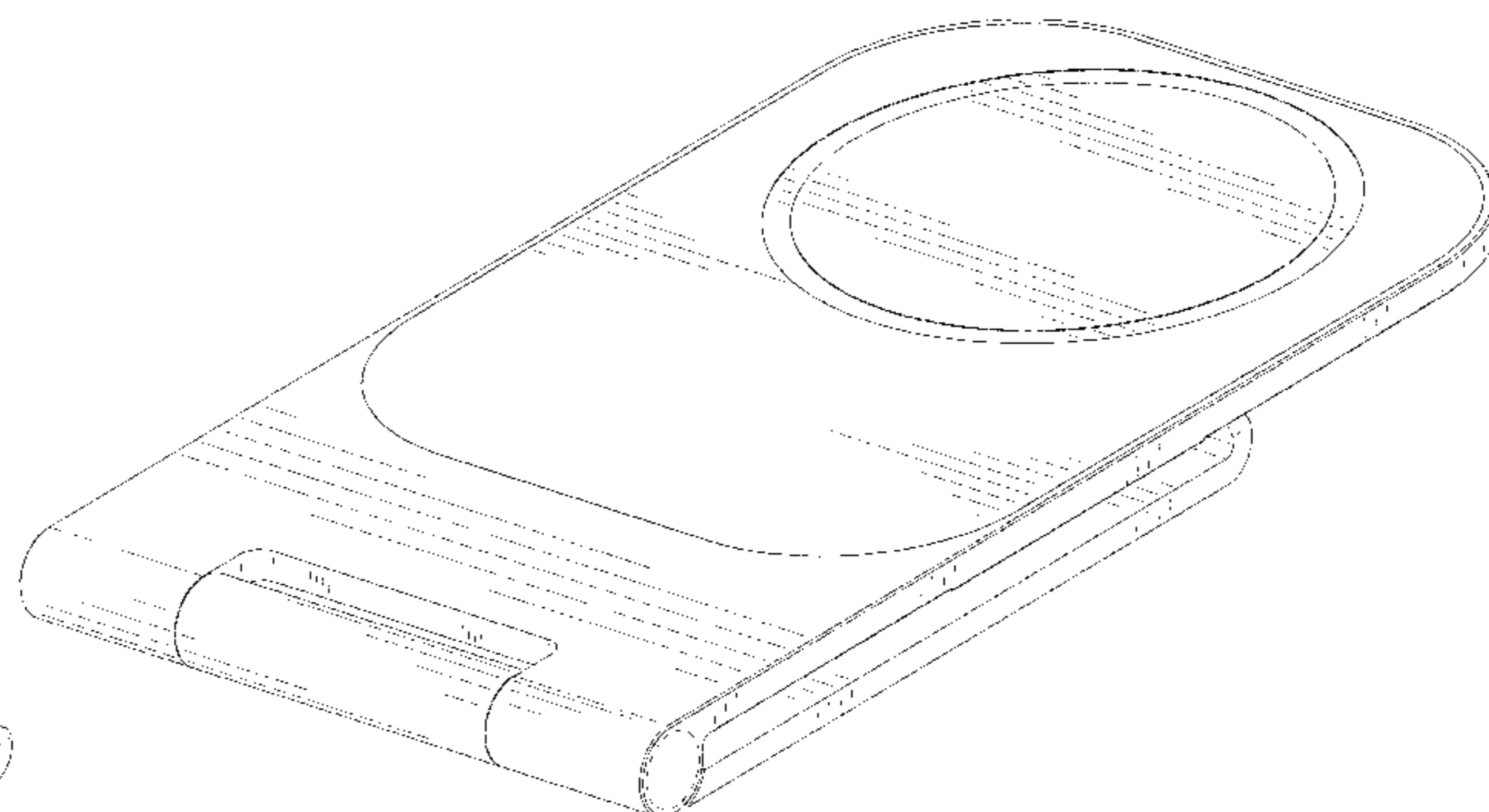
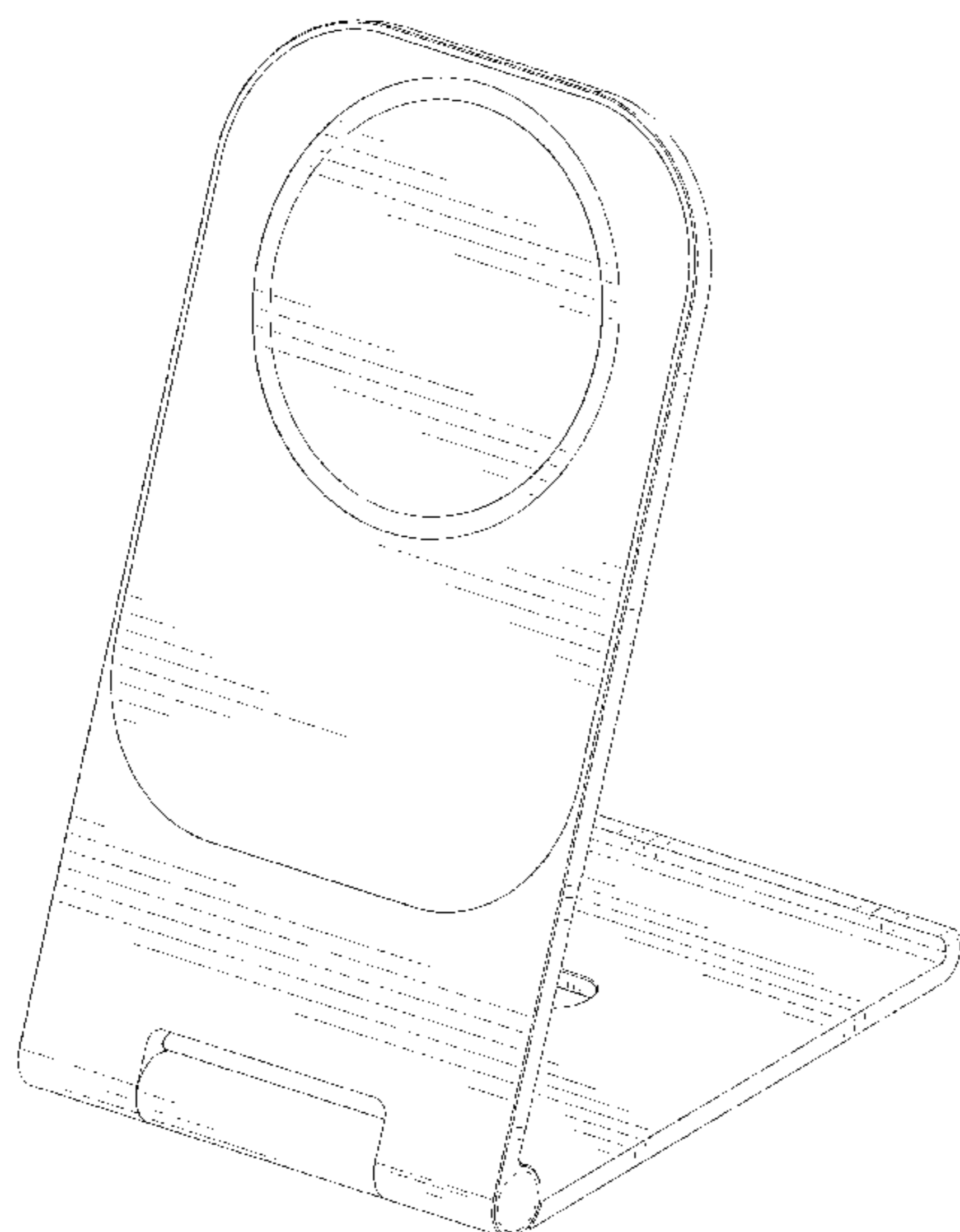
(56) **References Cited**

U.S. PATENT DOCUMENTS

D606,545 S *	12/2009	Salmon	.....	D13/108
D811,414 S *	2/2018	Lee	.....	D14/447
D875,677 S *	2/2020	Shi	.....	D13/108
D883,924 S *	5/2020	Chen	.....	D13/108
D896,816 S *	9/2020	Qiu	.....	D14/434
D923,565 S *	6/2021	Zeng	.....	D13/108
D930,582 S *	9/2021	Lee	.....	D13/108
D934,169 S	10/2021	Huang et al.		
D937,775 S *	12/2021	Maloney	.....	D13/108
D940,077 S *	1/2022	Jiang	.....	D13/108
D956,692 S *	7/2022	Turksu	.....	D13/108
2015/0188356 A1 *	7/2015	Chen	.....	H02J 50/005 320/108
2016/0195898 A1 *	7/2016	Lau	.....	H04M 1/04 361/679.41

(Continued)

**1 Claim, 12 Drawing Sheets**



(56)

**References Cited**

U.S. PATENT DOCUMENTS

2020/0112193 A1\* 4/2020 Wu ..... H02J 7/025

OTHER PUBLICATIONS

“Jake Davy Wireless Magnetic Phone Charger”. Found online Jan. 21, 2022 at amazon.co.uk. Reference dated Aug. 6, 2021. Retrieved from <https://www.amazon.co.uk/Wireless-Magnetic-Charger-Mag-Safe-Charging-BLACK/dp/B09C1BMWW2>. (Year: 2021).\*

“Changhom Charger Stand”. Found online Apr. 27, 2022 at amazon.com. Reference dated Nov. 21, 2020. Retrieved from <https://www.amazon.com/Charger-Stand-MagSafe-Accessories-Included-Silver/dp/B08NYP9YYK?th=1>. (Year: 2020).\*

\* cited by examiner

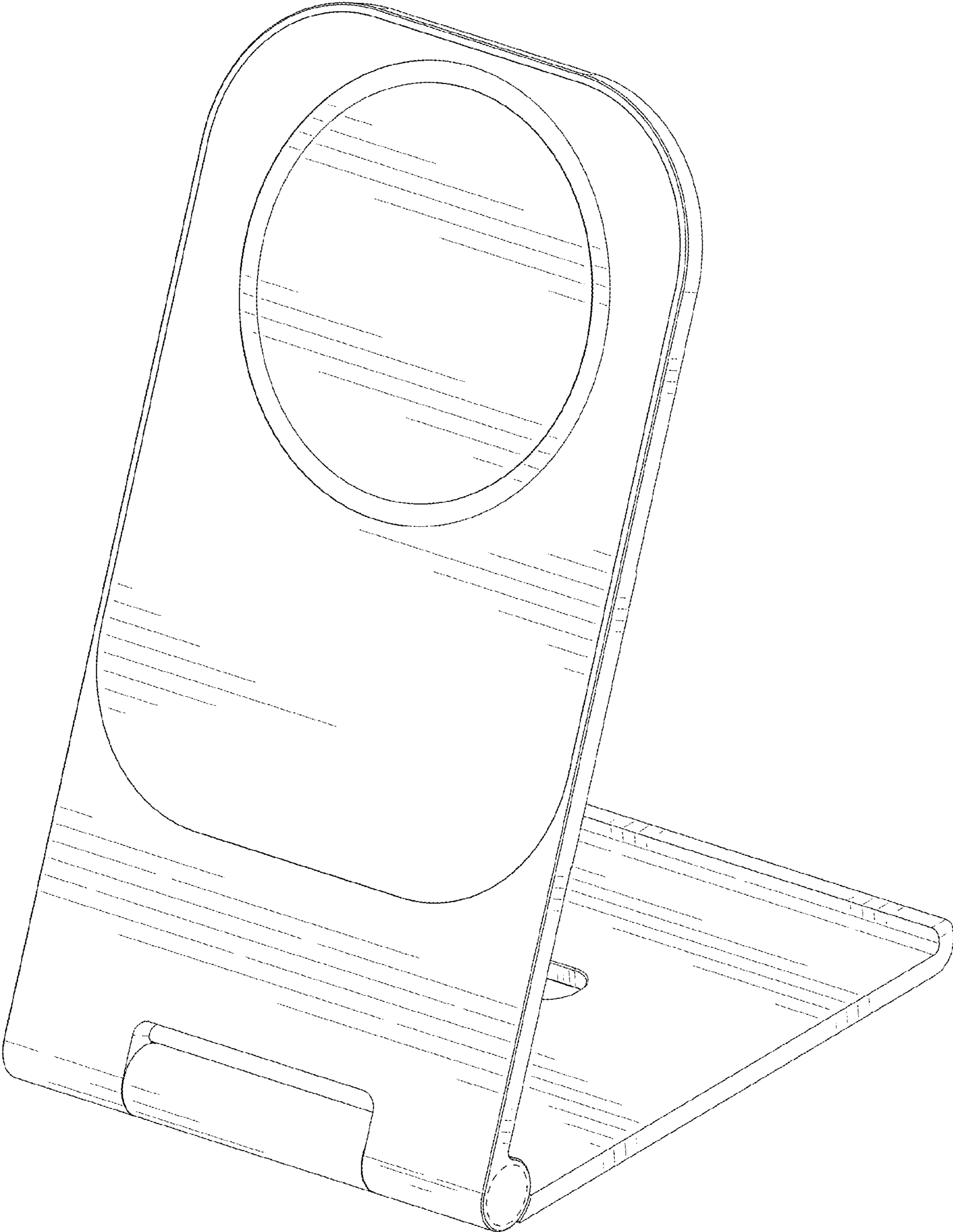


FIG. 1

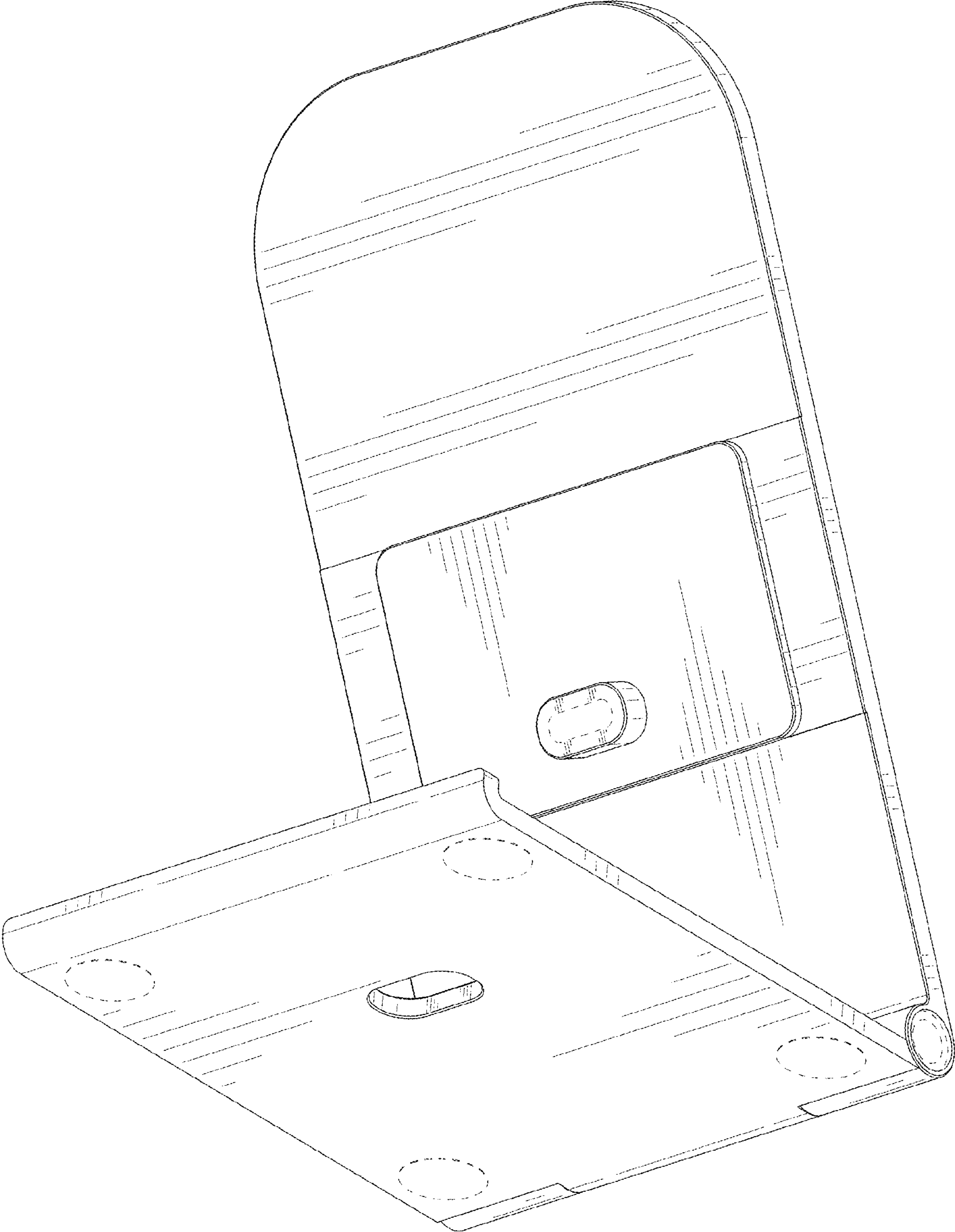


FIG. 2



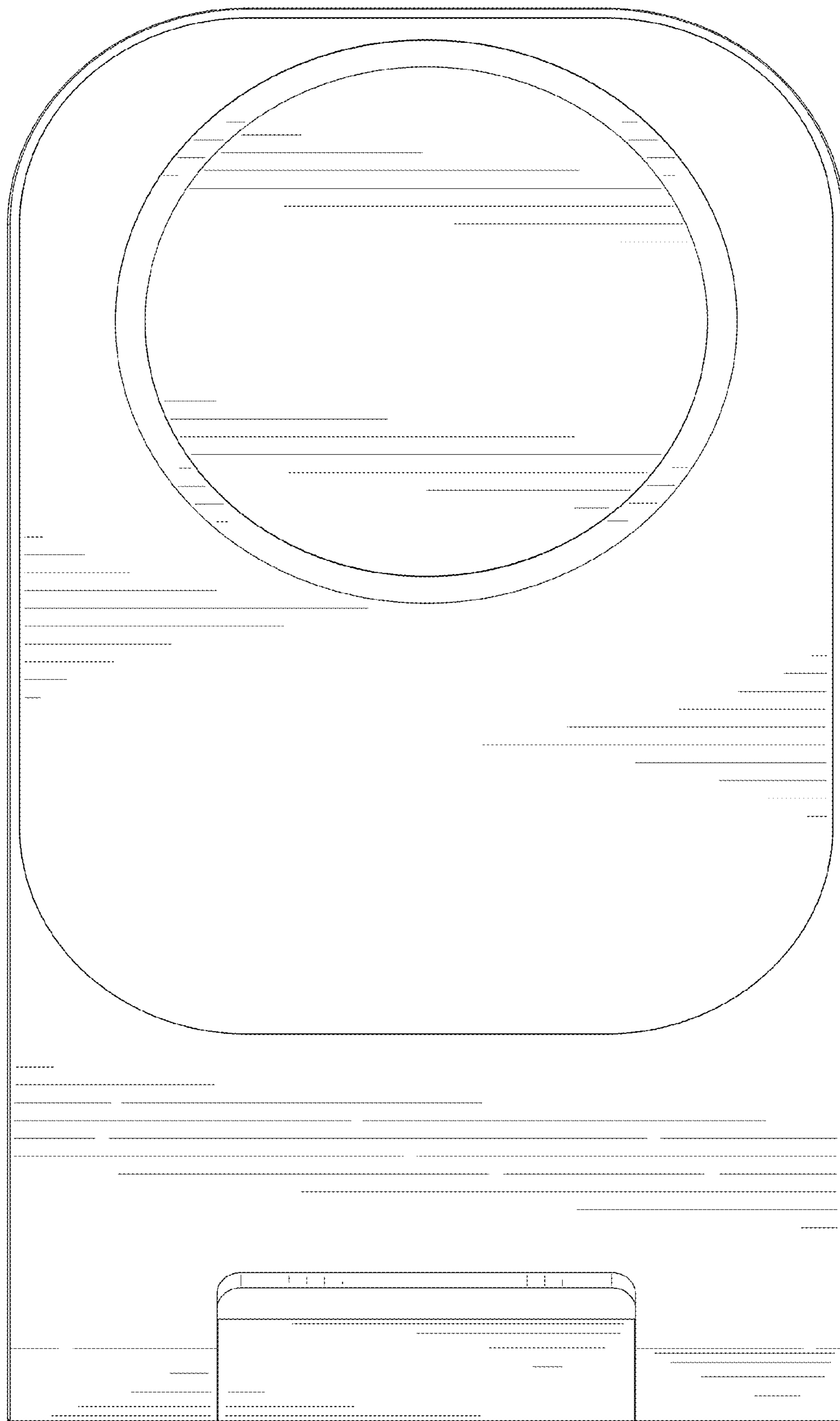


FIG. 3

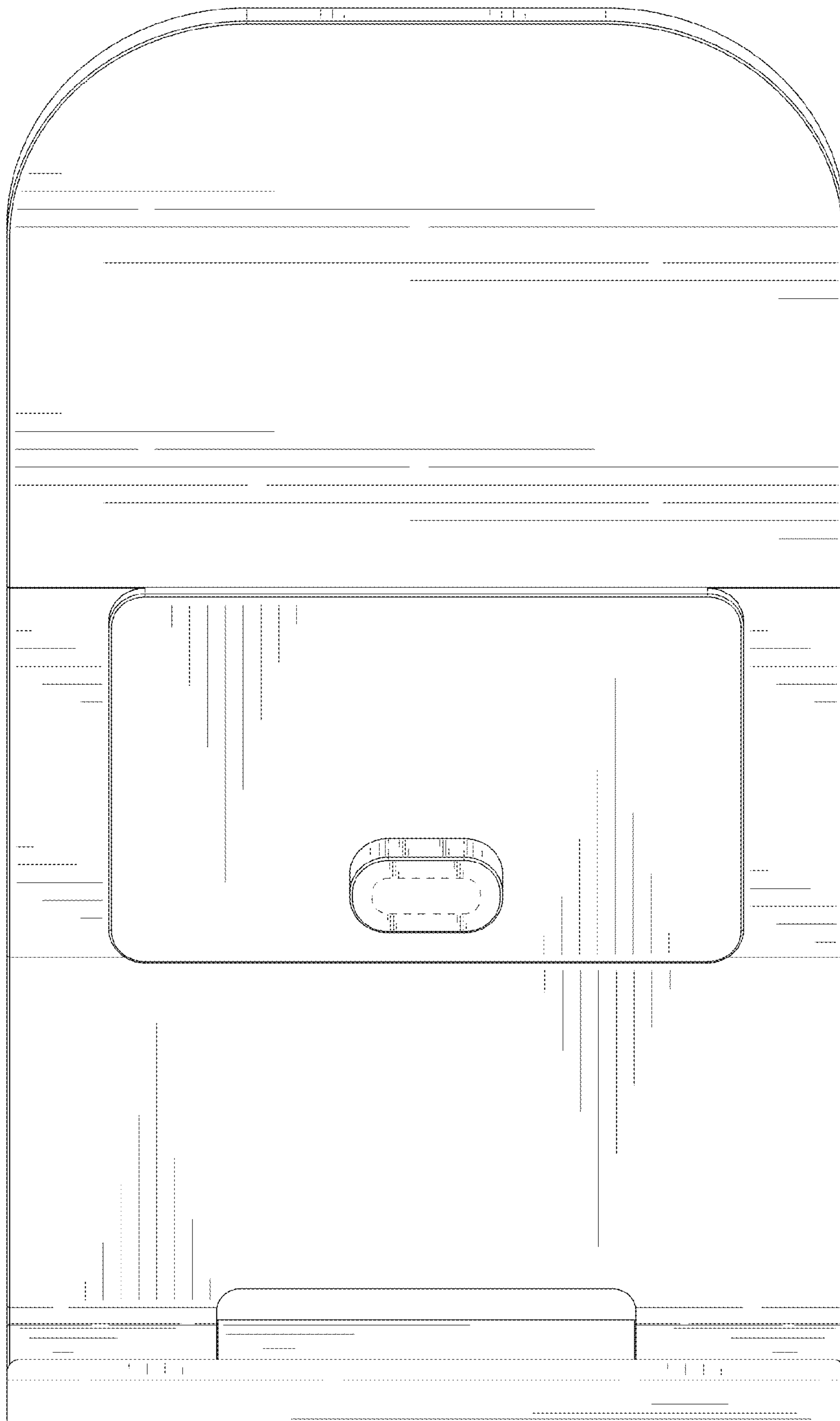


FIG. 4

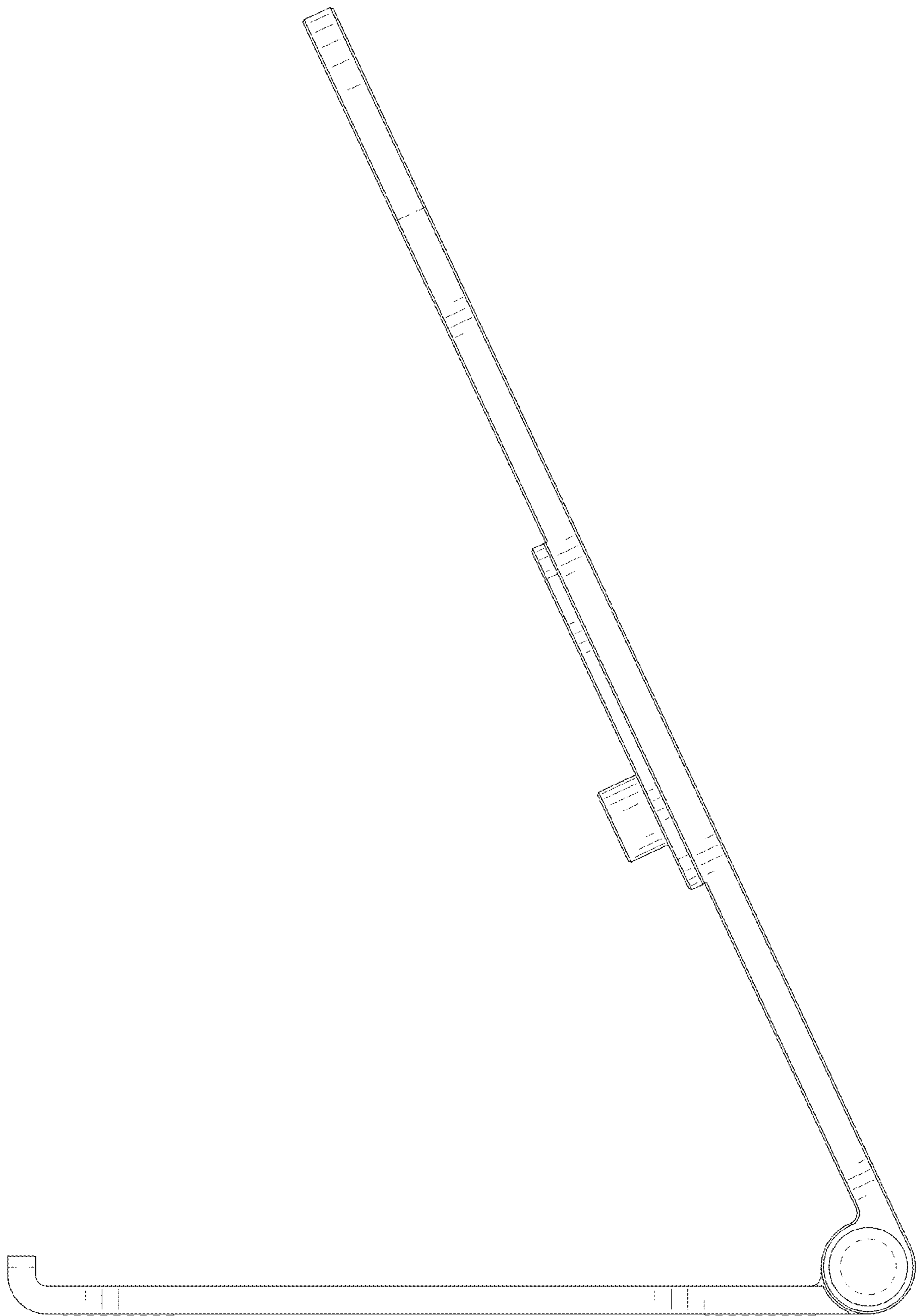


FIG. 5

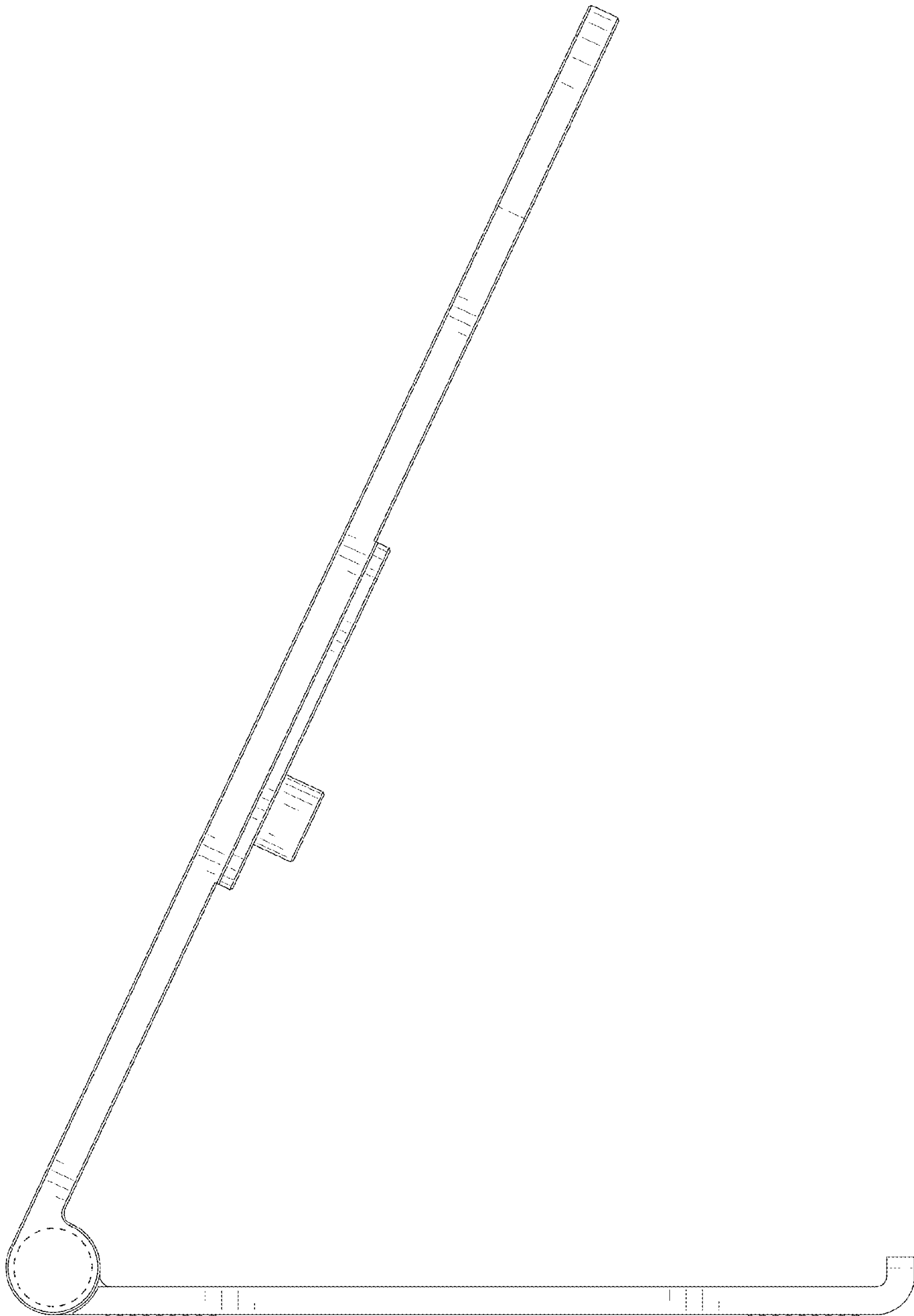


FIG. 6



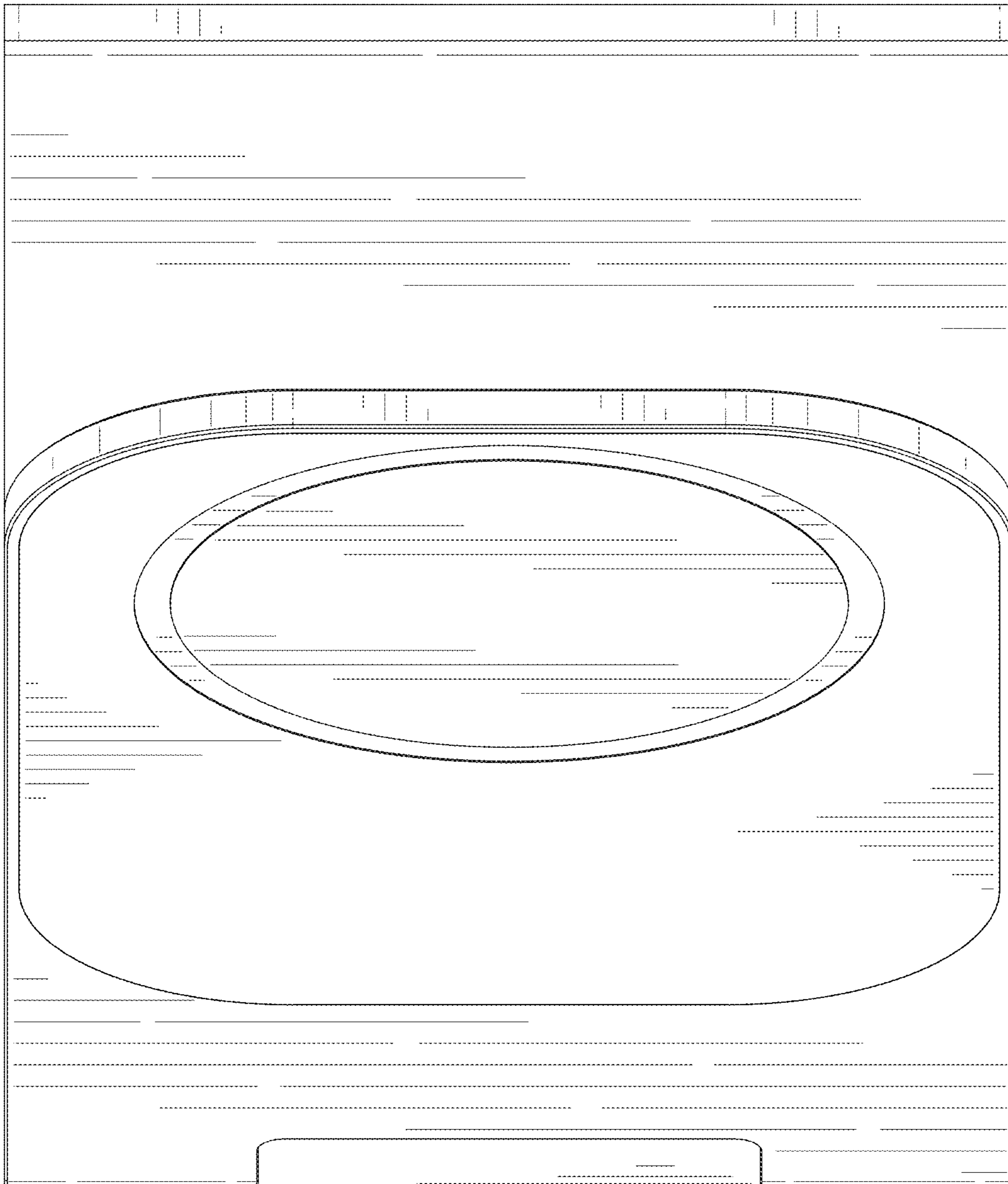


FIG. 7

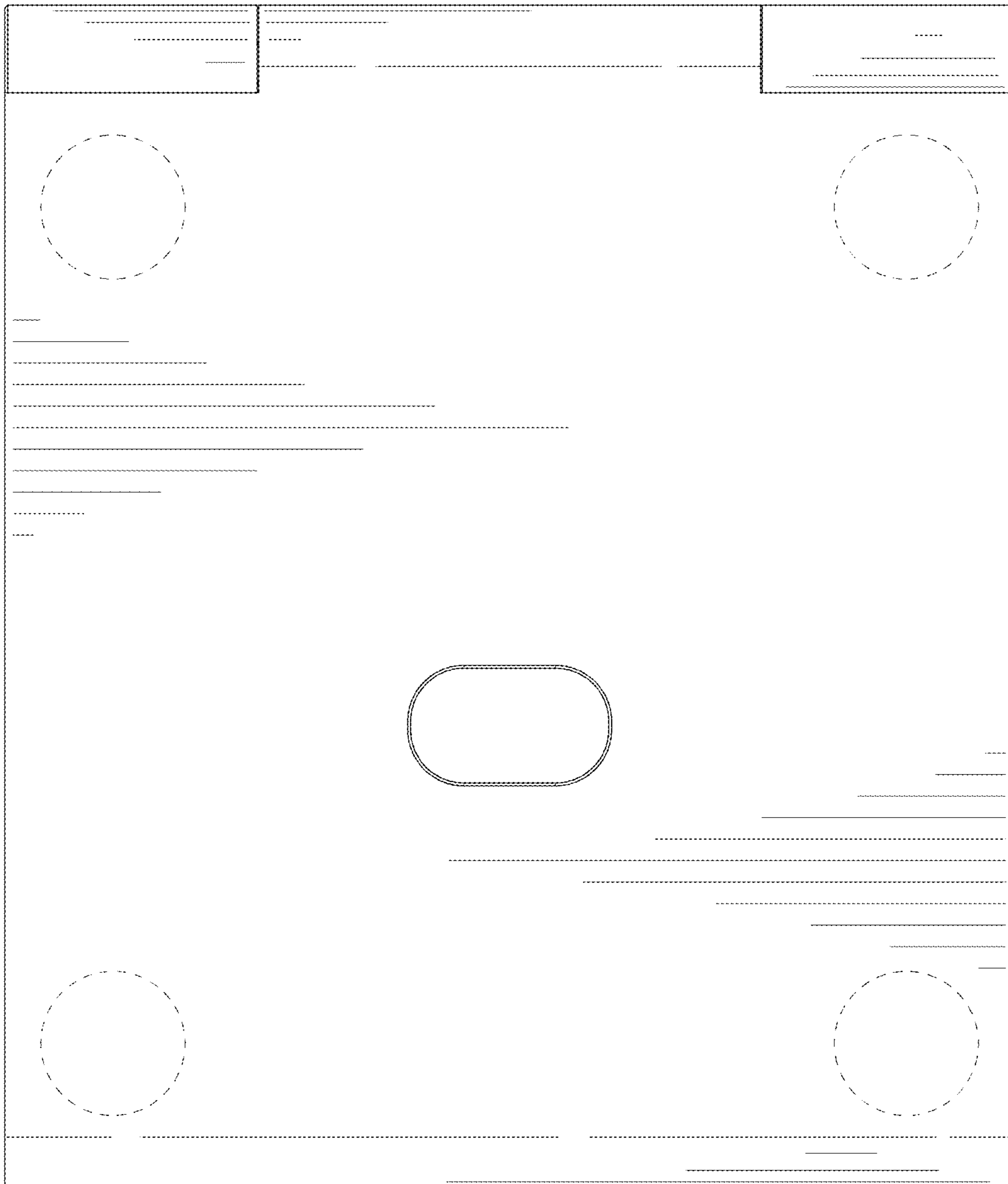


FIG. 8

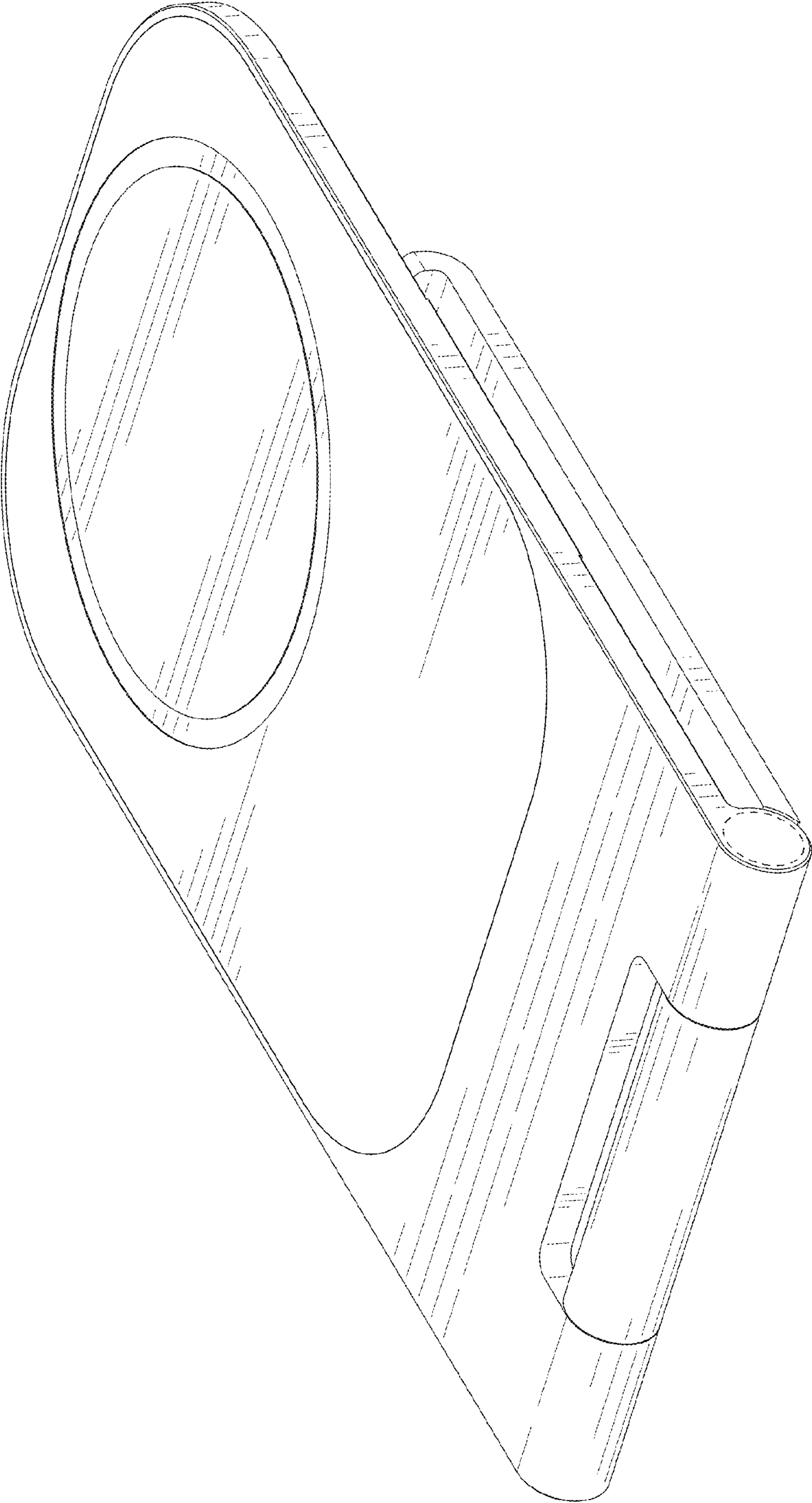


FIG. 9

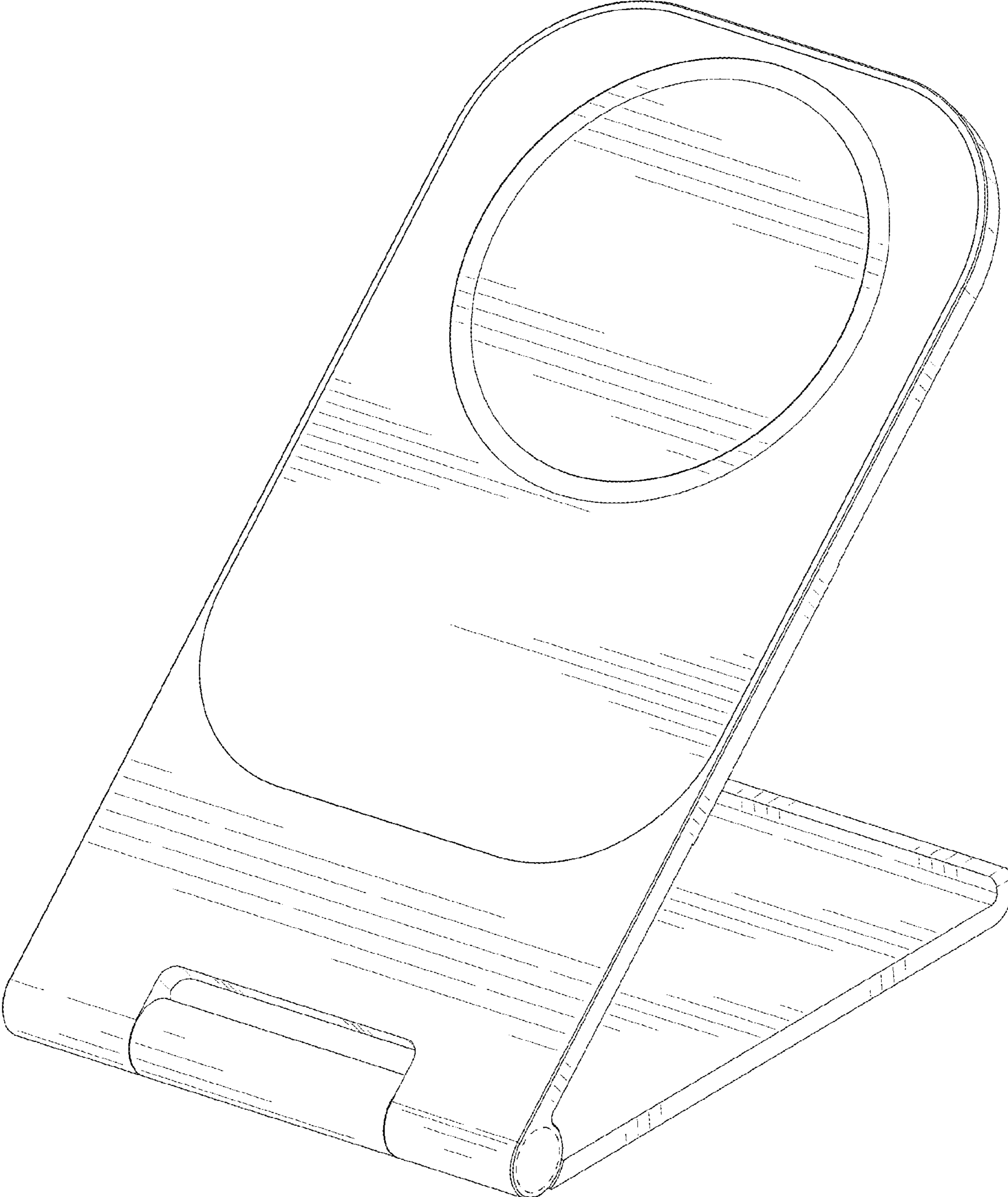


FIG. 10

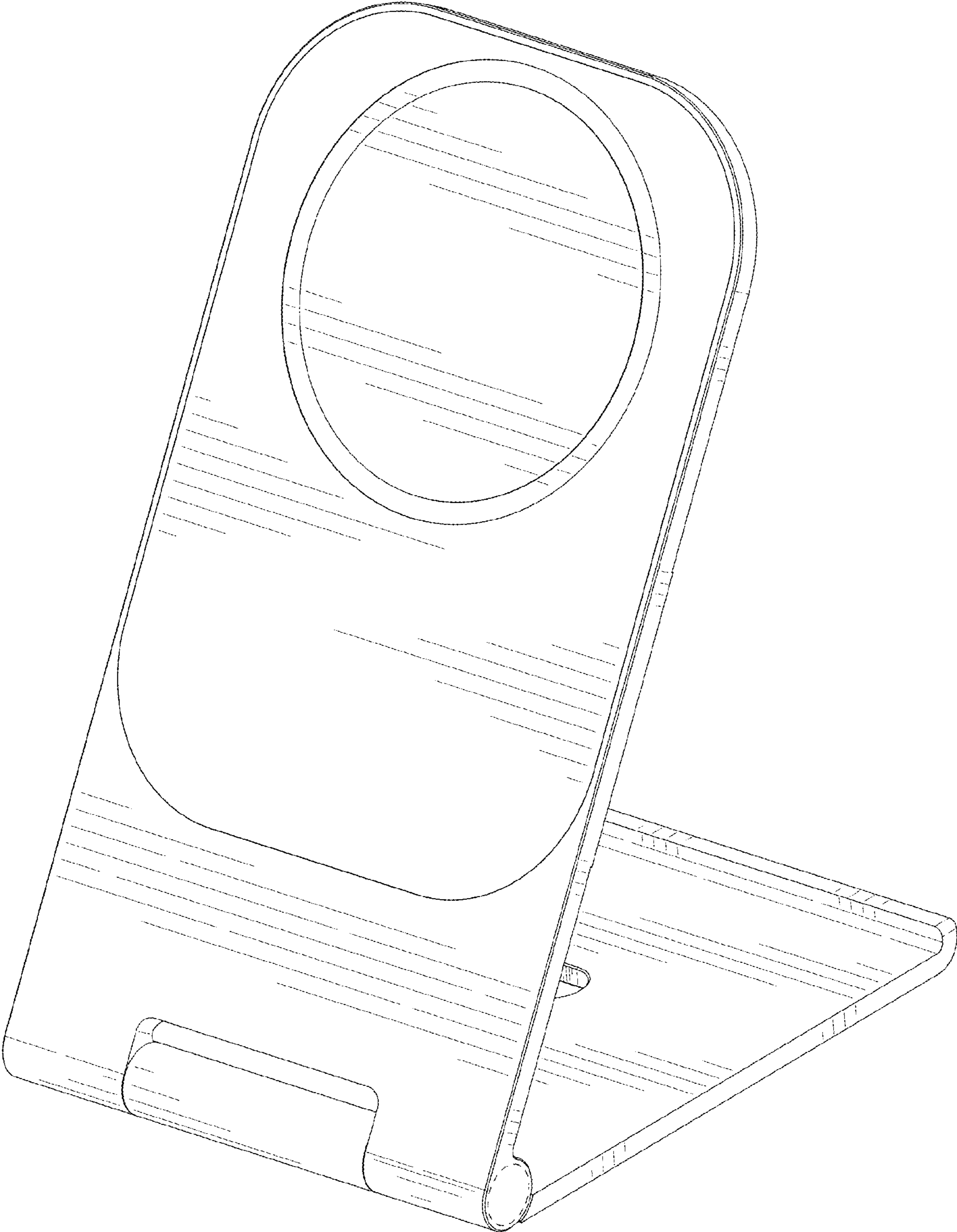


FIG. 11



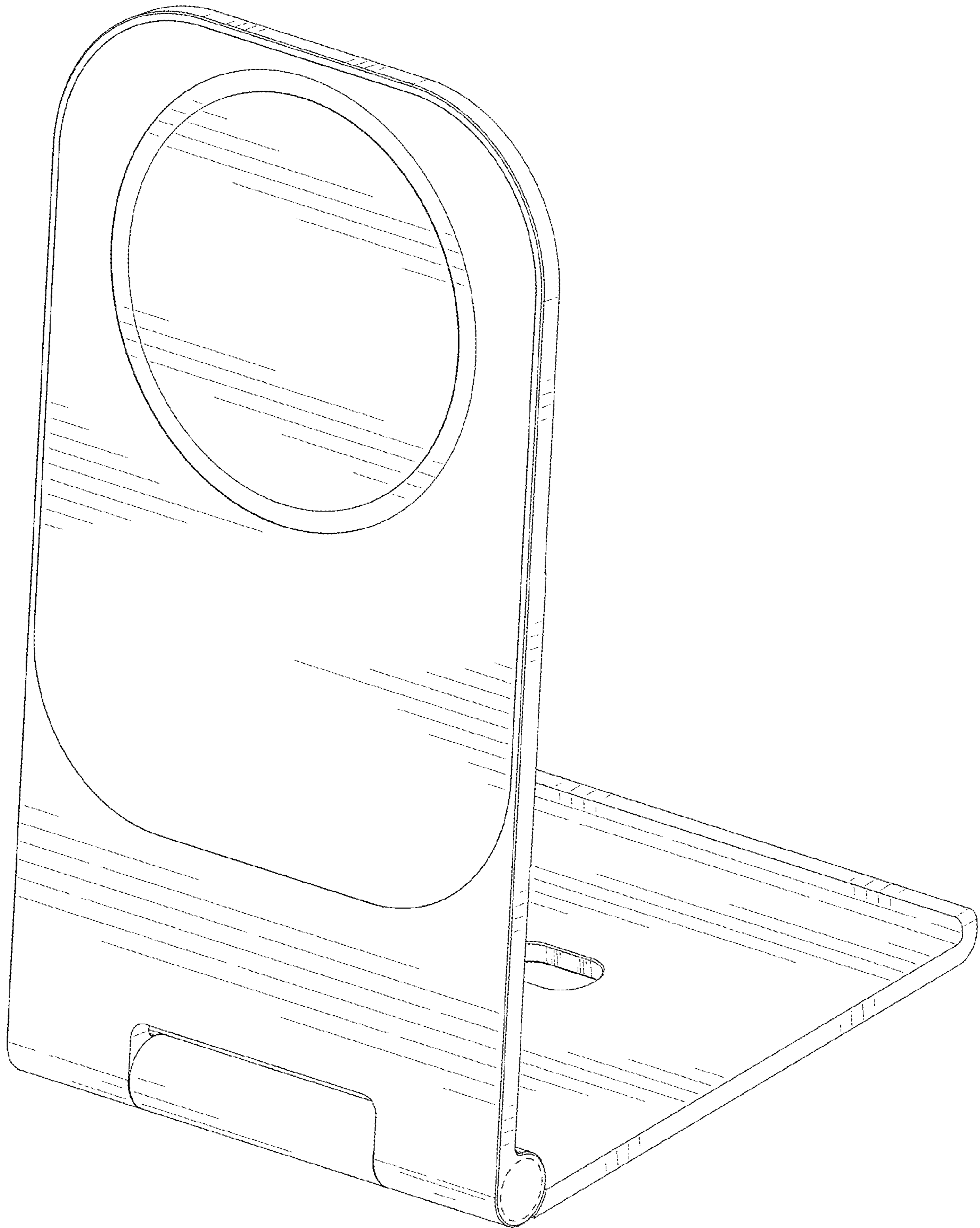


FIG. 12