



US00D979492S

(12) **United States Design Patent**  
**Hong et al.**

(10) **Patent No.:** **US D979,492 S**  
(45) **Date of Patent:** **\*\* Feb. 28, 2023**

(54) **CHARGING CASE FOR WIRELESS  
EARPHONES**

(71) Applicant: **Samsung Electronics Co., Ltd.**,  
Suwon-si (KR)

(72) Inventors: **Jaehyung Hong**, Suwon-si (KR);  
**Kwangha Choi**, Suwon-si (KR);  
**Sangok Sohn**, Suwon-si (KR)

(73) Assignee: **Samsung Electronics Co., Ltd.**,  
Suwon-si (KR)

(\*\*) Term: **15 Years**

(21) Appl. No.: **29/769,281**

(22) Filed: **Feb. 4, 2021**

(30) **Foreign Application Priority Data**

Nov. 13, 2020 (KR) ..... 30-2020-0055041

(51) **LOC (14) Cl.** ..... **13-02**

(52) **U.S. Cl.**  
USPC ..... **D13/108; D3/294**

(58) **Field of Classification Search**  
USPC ..... D13/103, 107, 108, 118, 119, 199;  
D3/201, 218, 273, 276, 294, 295, 299;  
D14/205, 223, 240, 432, 434, 439  
CPC . A45C 2011/001; B65D 43/16; H04R 1/1025  
See application file for complete search history.

(56) **References Cited**

**U.S. PATENT DOCUMENTS**

D881,810 S \* 4/2020 Zhang ..... D13/108  
D902,589 S \* 11/2020 Li ..... D3/294  
D904,024 S \* 12/2020 Koneru ..... D3/294  
D904,295 S \* 12/2020 Cai ..... D13/108  
D913,918 S \* 3/2021 Zeng ..... D13/108

D932,472 S \* 10/2021 Wang ..... D13/108  
D934,839 S \* 11/2021 Zhong ..... D14/223  
D946,513 S \* 3/2022 Lin ..... D13/108  
D948,211 S \* 4/2022 Wu ..... D3/294  
D952,610 S \* 5/2022 Deng ..... D3/274  
2017/0195760 A1\* 7/2017 Tang ..... A45C 11/00  
2020/0412143 A1\* 12/2020 Chang ..... H02J 7/0044  
2021/0377646 A1\* 12/2021 Luo ..... H04R 1/1058

**OTHER PUBLICATIONS**

“Samsung Galaxy Buds Pro”. Found online Jul. 12, 2022 at amazon.com. Reference dated Feb. 18, 2021. Retrieved from [https://www.amazon.com/Wireless-Cancelling-Charging-Included-International/dp/B08WWRYM92/ref=asc\\_df\\_B08WWRYM92/?th=1](https://www.amazon.com/Wireless-Cancelling-Charging-Included-International/dp/B08WWRYM92/ref=asc_df_B08WWRYM92/?th=1). (Year: 2021).\*

(Continued)

*Primary Examiner* — Kendra Leslie Hamilton

*Assistant Examiner* — Amanda Christensen

(74) *Attorney, Agent, or Firm* — NSIP Law

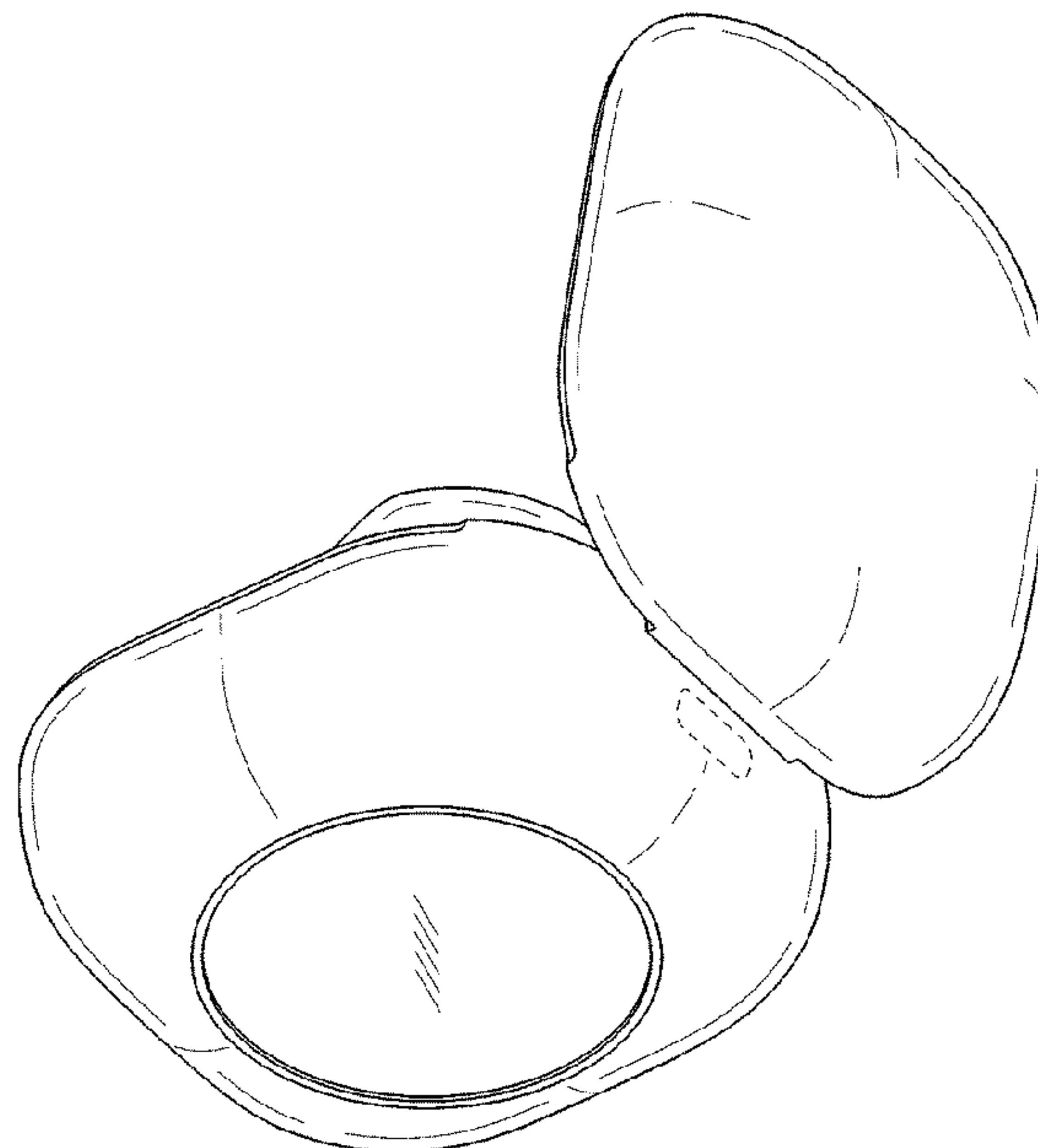
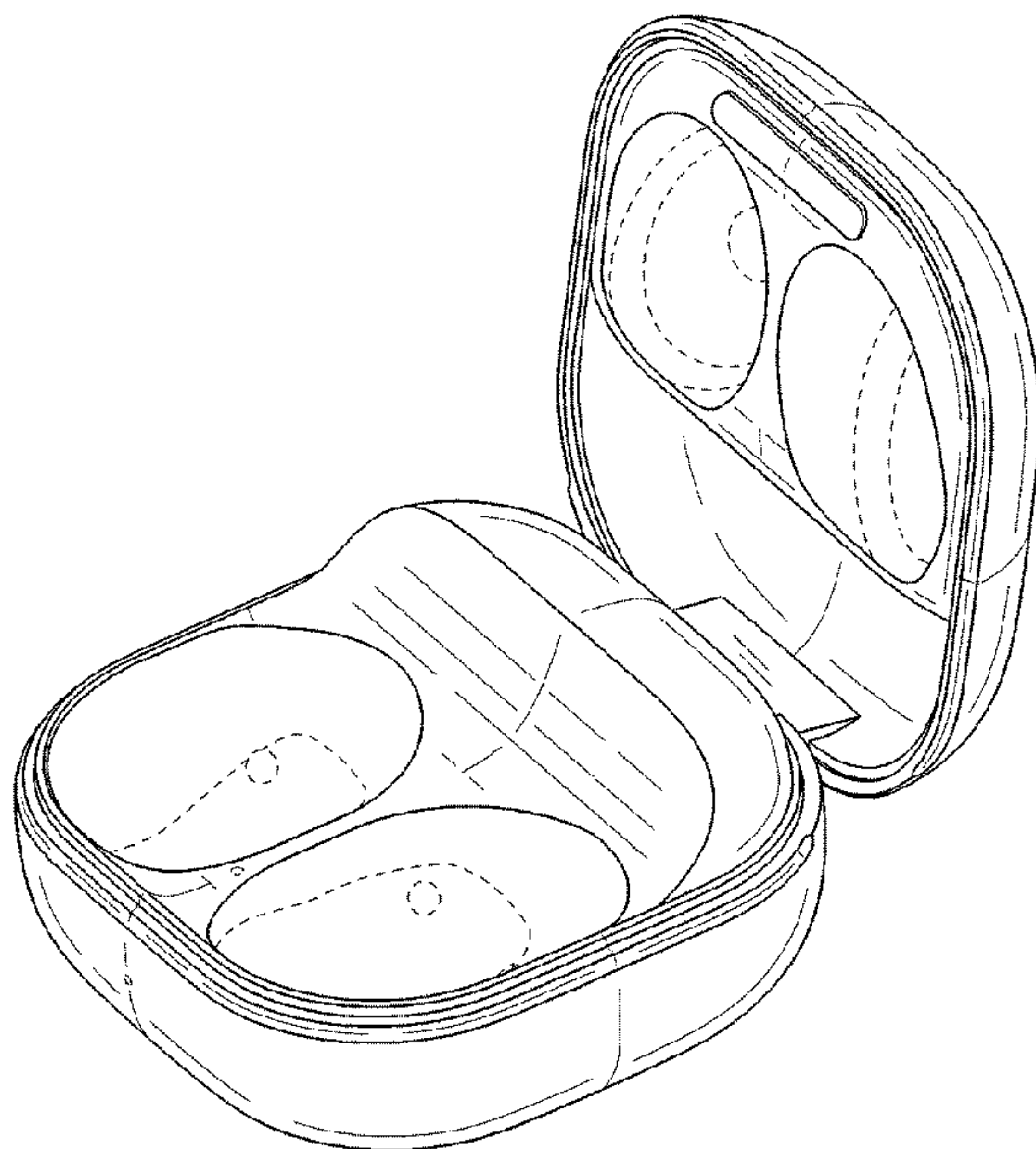
(57) **CLAIM**

We claim the ornamental design for a charging case for wireless earphones, as shown and described.

**DESCRIPTION**

FIG. 1 is a top perspective view of a charging case for wireless earphones showing our new design;  
FIG. 2 is a front view thereof;  
FIG. 3 is a rear view thereof;  
FIG. 4 is a left-side view thereof;  
FIG. 5 is a right-side view thereof;  
FIG. 6 is a top view thereof;  
FIG. 7 is a bottom view thereof; and,  
FIG. 8 is a bottom perspective view thereof.  
The broken lines in the figures depict portions of the charging case for wireless earphones which form no part of the claimed design.

**1 Claim, 5 Drawing Sheets**



(56)

**References Cited**

OTHER PUBLICATIONS

“Haylou T15 Charging Case”. Found online Jul. 14, 2021 at wovow.org. Reference dated Dec. 17, 2019. Retrieved from <https://www.wovow.org/haylou-t15-review-2019-earbuds/>. (Year: 2019).\*

“Puro Slim Pod Wireless Earphones with Charging Case”. Found online Jan. 24, 2022 at amazon.co.uk. Reference dated Apr. 8, 2020. Retrieved from <https://www.amazon.co.uk/Puro-Slim-Wireless-Earphones-Charging/dp/B08129VRD9>. (Year: 2020).\*

\* cited by examiner

FIG.1

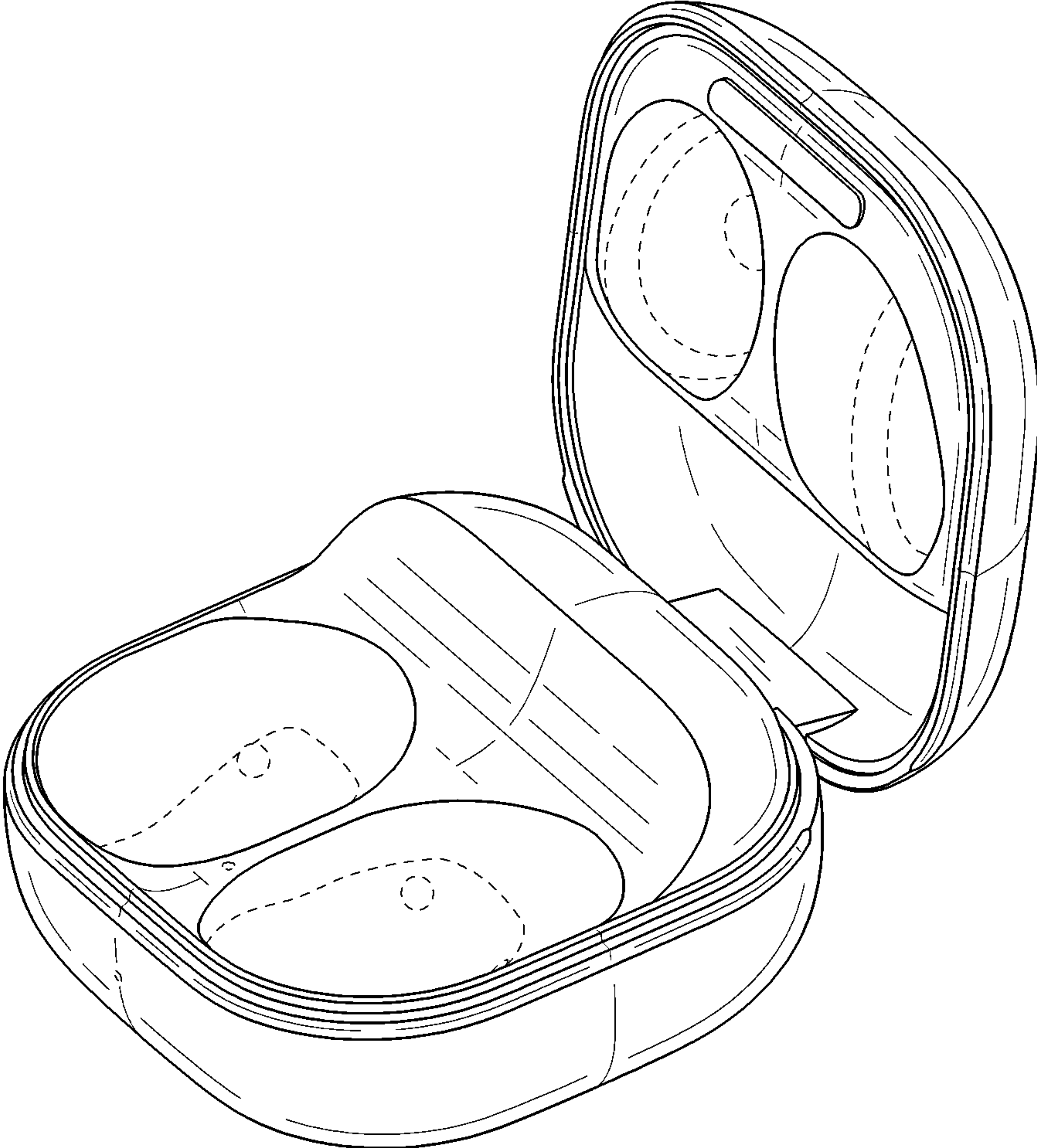


FIG.2

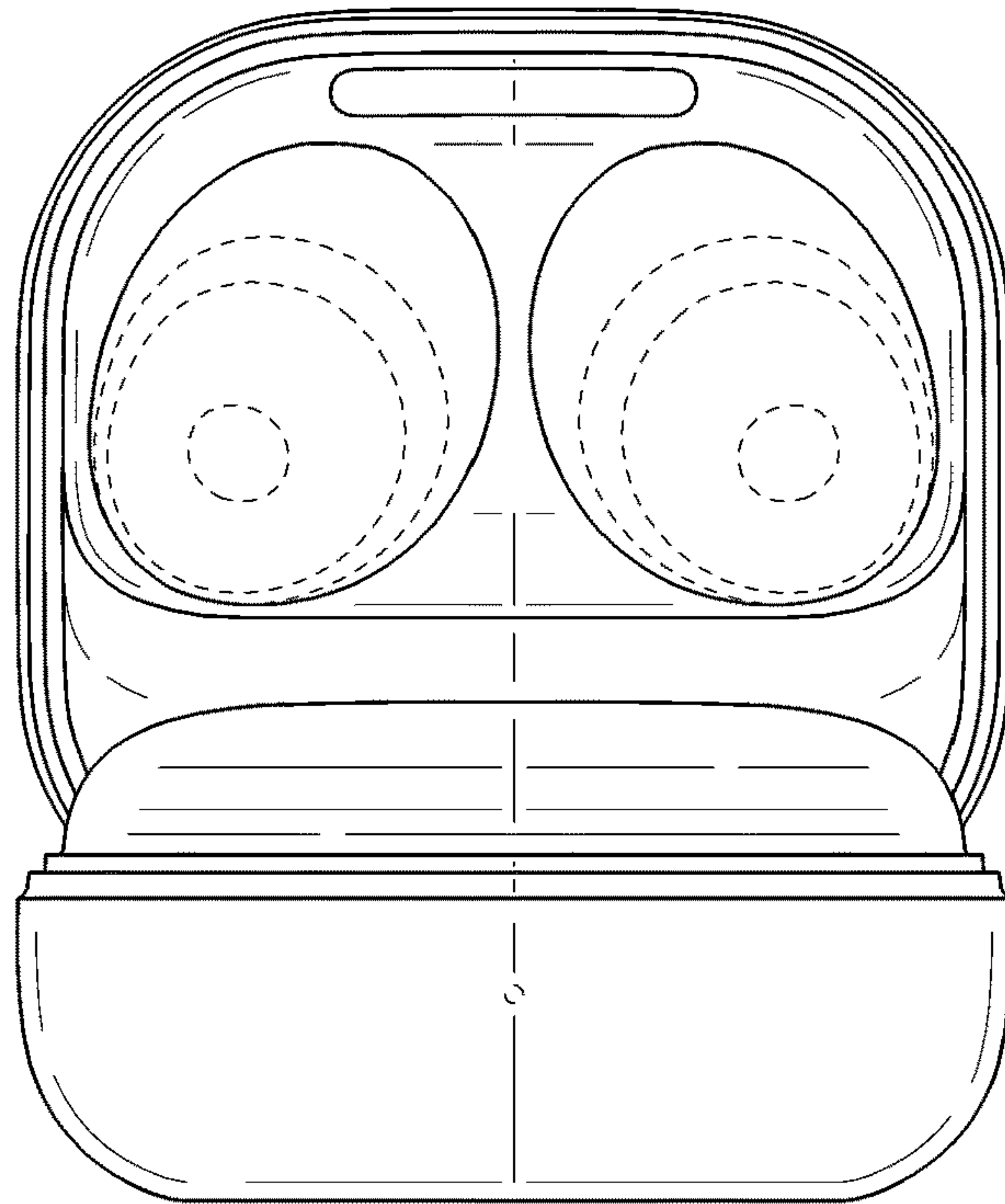


FIG.3

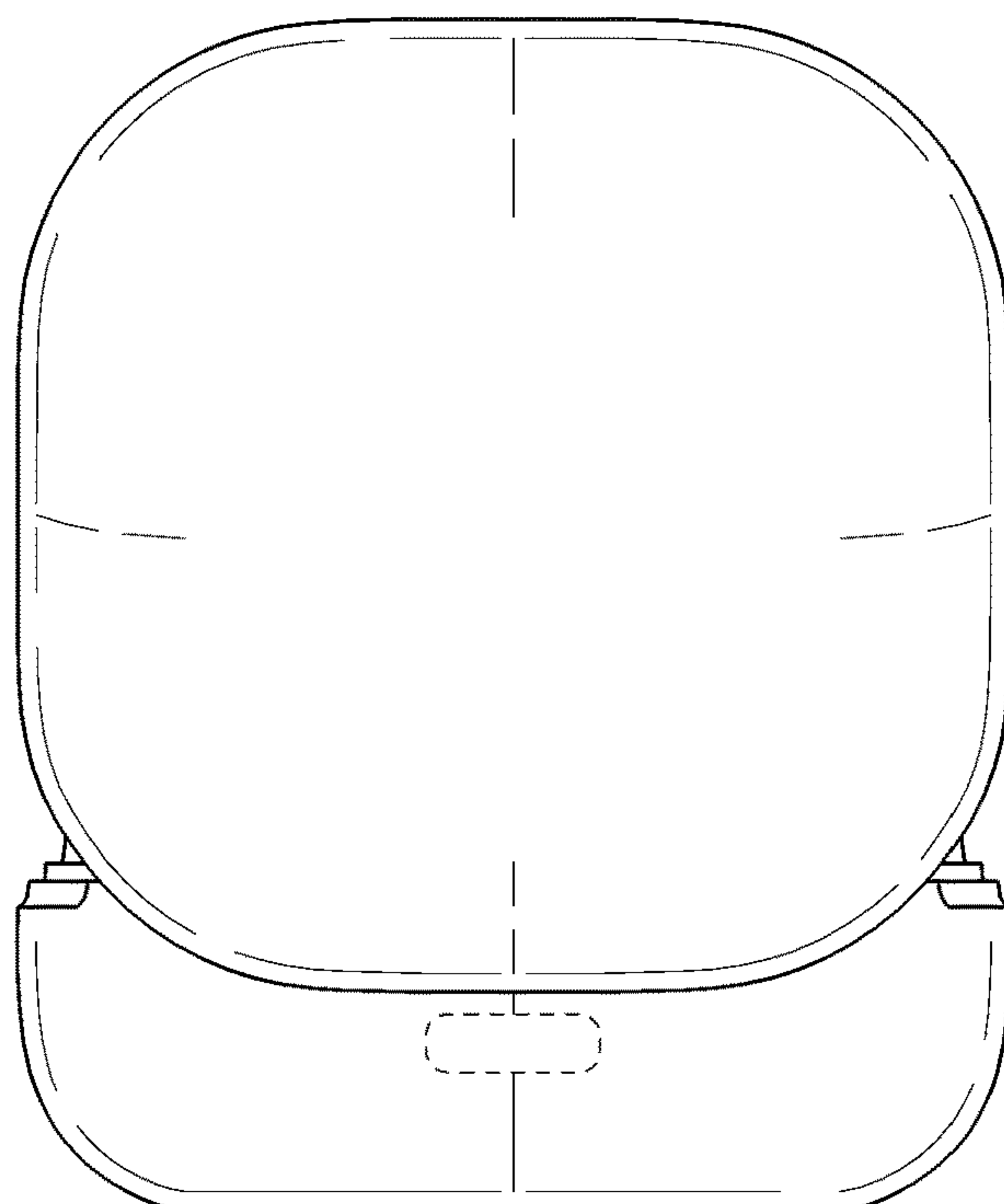


FIG.4

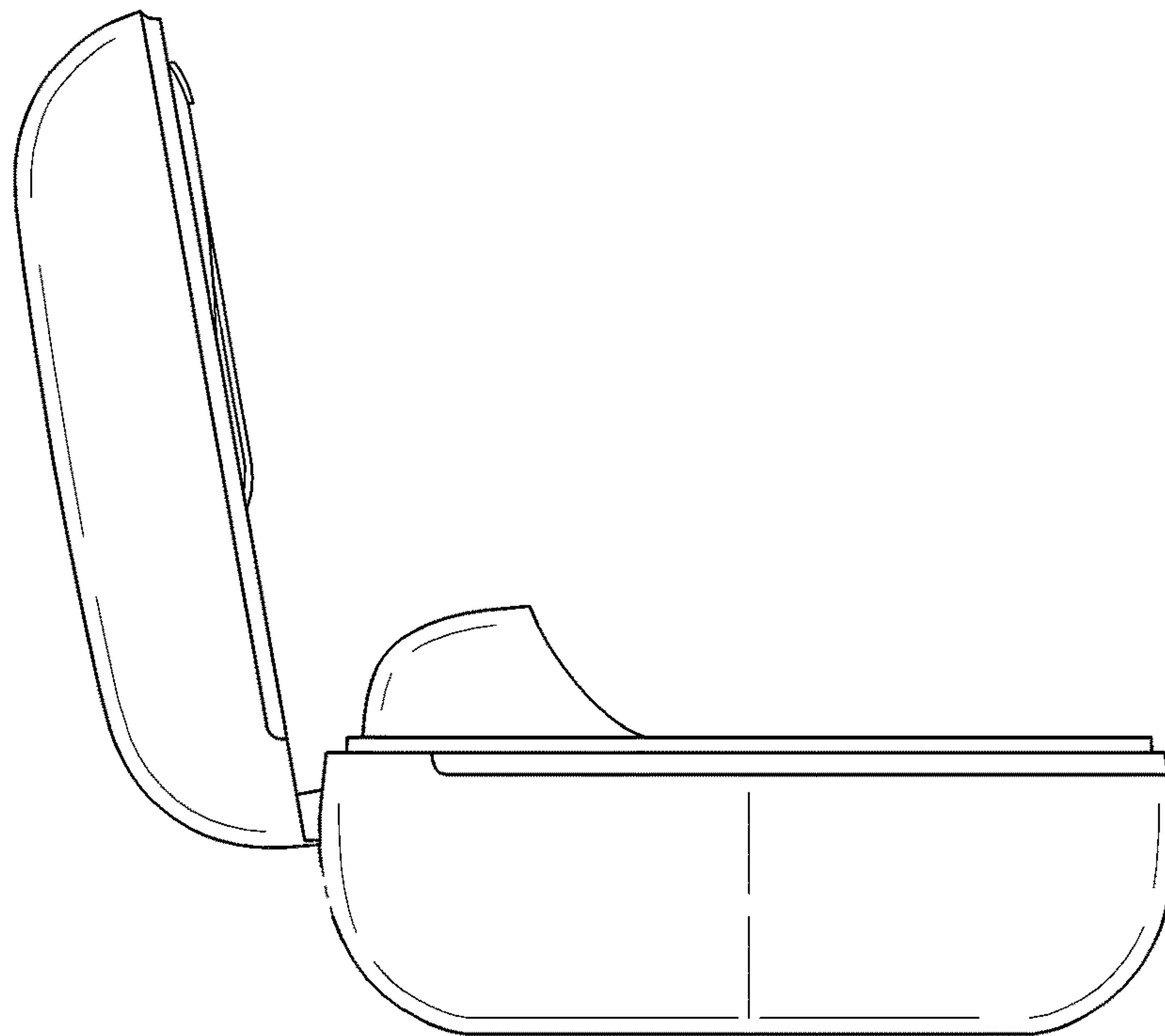


FIG.5

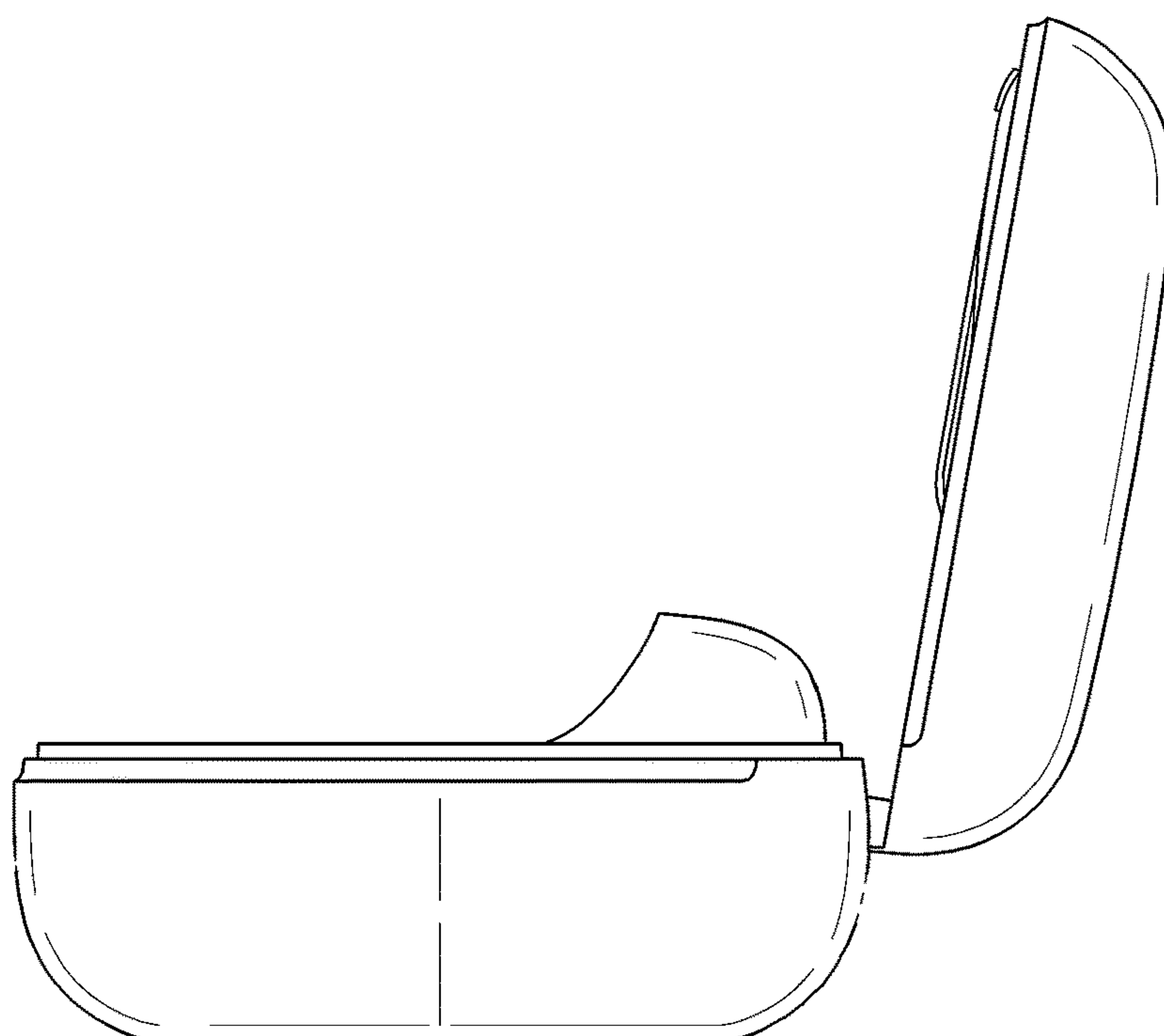




FIG.6

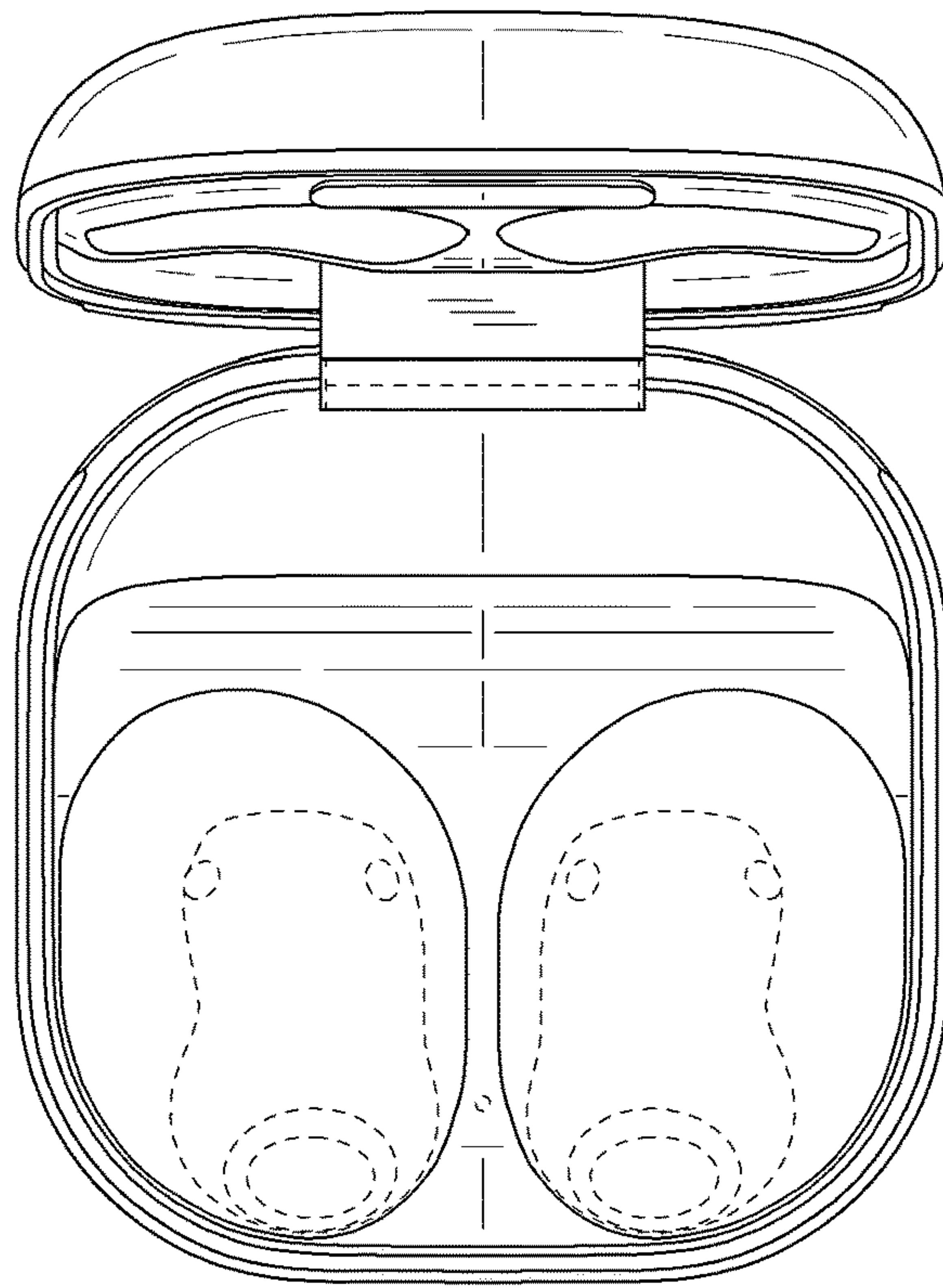


FIG.7

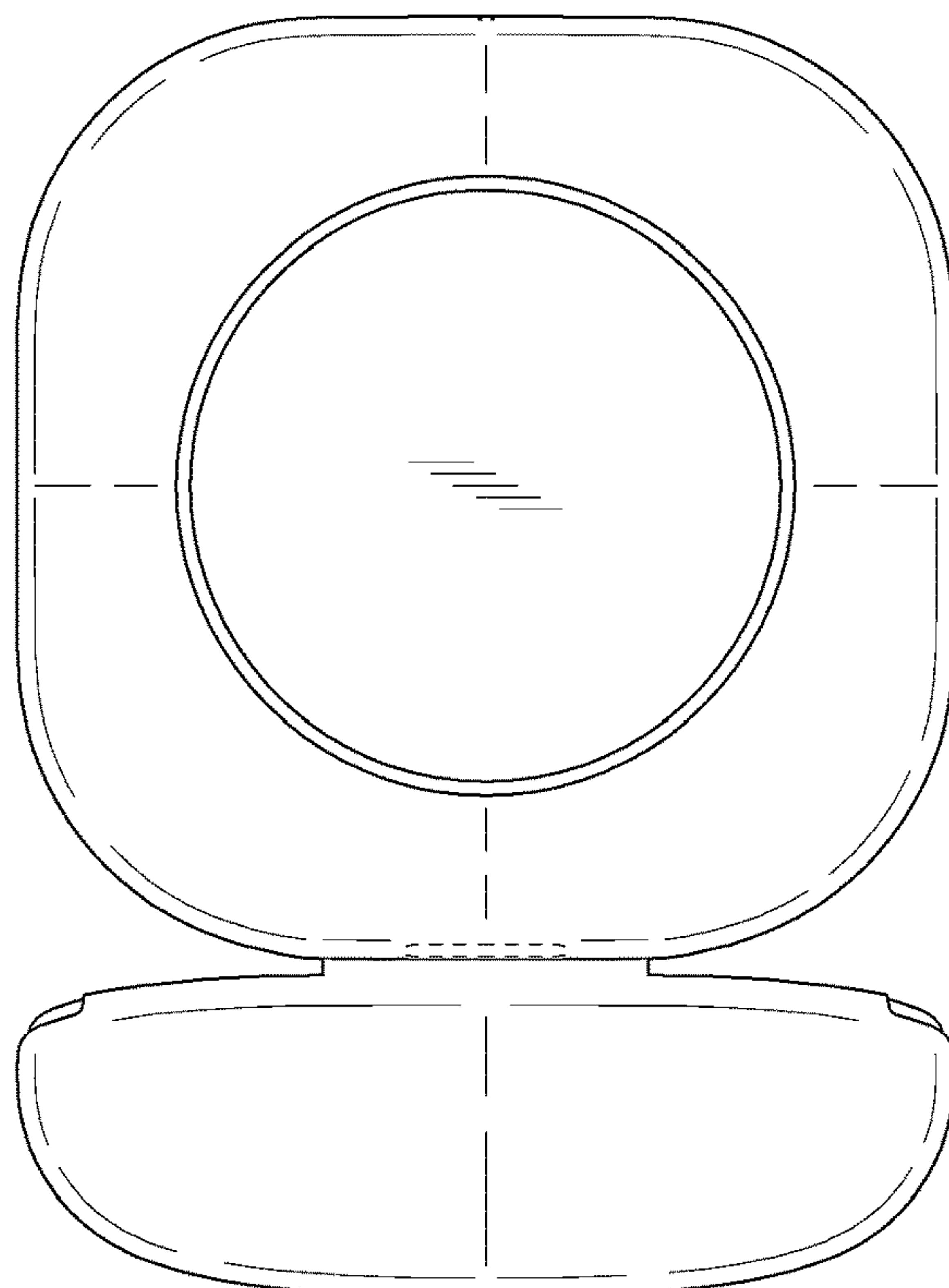


FIG.8

