

US00D979491S

(12) **United States Design Patent**
Wu et al.

(10) **Patent No.:** **US D979,491 S**
(45) **Date of Patent:** **** Feb. 28, 2023**

(54) **CHARGING CASE FOR EARPHONES**

(71) Applicant: **SHENZHEN AONI ELECTRONIC CO., LTD**, Guangdong (CN)

(72) Inventors: **Guohua Wu**, Guangdong (CN);
Fengcheng Liao, Guangdong (CN)

(73) Assignee: **SHENZHEN AONI ELECTRONIC CO., LTD**, Shenzhen (CN)

(**) Term: **15 Years**

(21) Appl. No.: **29/769,171**

(22) Filed: **Feb. 3, 2021**

(30) **Foreign Application Priority Data**

Dec. 8, 2020 (CN) 202030752651.2

(51) **LOC (14) Cl.** **13-02**

(52) **U.S. Cl.**
USPC **D13/108; D3/294**

(58) **Field of Classification Search**
USPC D13/103, 107, 108, 118, 119, 199;
D3/201, 218, 273, 276, 294, 295, 299;
D14/205, 223, 240, 432, 434, 439
CPC . A45C 2011/001; B65D 43/16; H04R 1/1025
See application file for complete search history.

(56) **References Cited**

U.S. PATENT DOCUMENTS

D553,077 S * 10/2007 Kim D13/108
D772,572 S * 11/2016 Palmberg D3/294
D853,116 S * 7/2019 Bergman D3/294
D892,045 S * 8/2020 Zhang D13/108
D894,123 S * 8/2020 Xiong D14/223
D931,861 S * 9/2021 Zhong D14/440
D932,427 S * 10/2021 Schoeck D3/294

D936,579 S * 11/2021 Wang D13/108
D958,534 S * 7/2022 MacDonald D3/295
2018/0123367 A1 * 5/2018 Higgins H01R 13/2414
2020/0412143 A1 * 12/2020 Chang H02J 7/0044
2021/0250708 A1 * 8/2021 Kheraj A61L 2/10
2022/0224167 A1 * 7/2022 Jang H02J 50/10

OTHER PUBLICATIONS

“Jaybird Vista True Wireless Earbuds”. Found online Sep. 29, 2022 at youtube.com. Reference dated Jul. 31, 2019. Retrieved from <https://www.youtube.com/watch?v=-wPgtKXKPPg>. (Year: 2019).*

(Continued)

Primary Examiner — Kendra Leslie Hamilton
Assistant Examiner — Amanda Christensen

(57) **CLAIM**

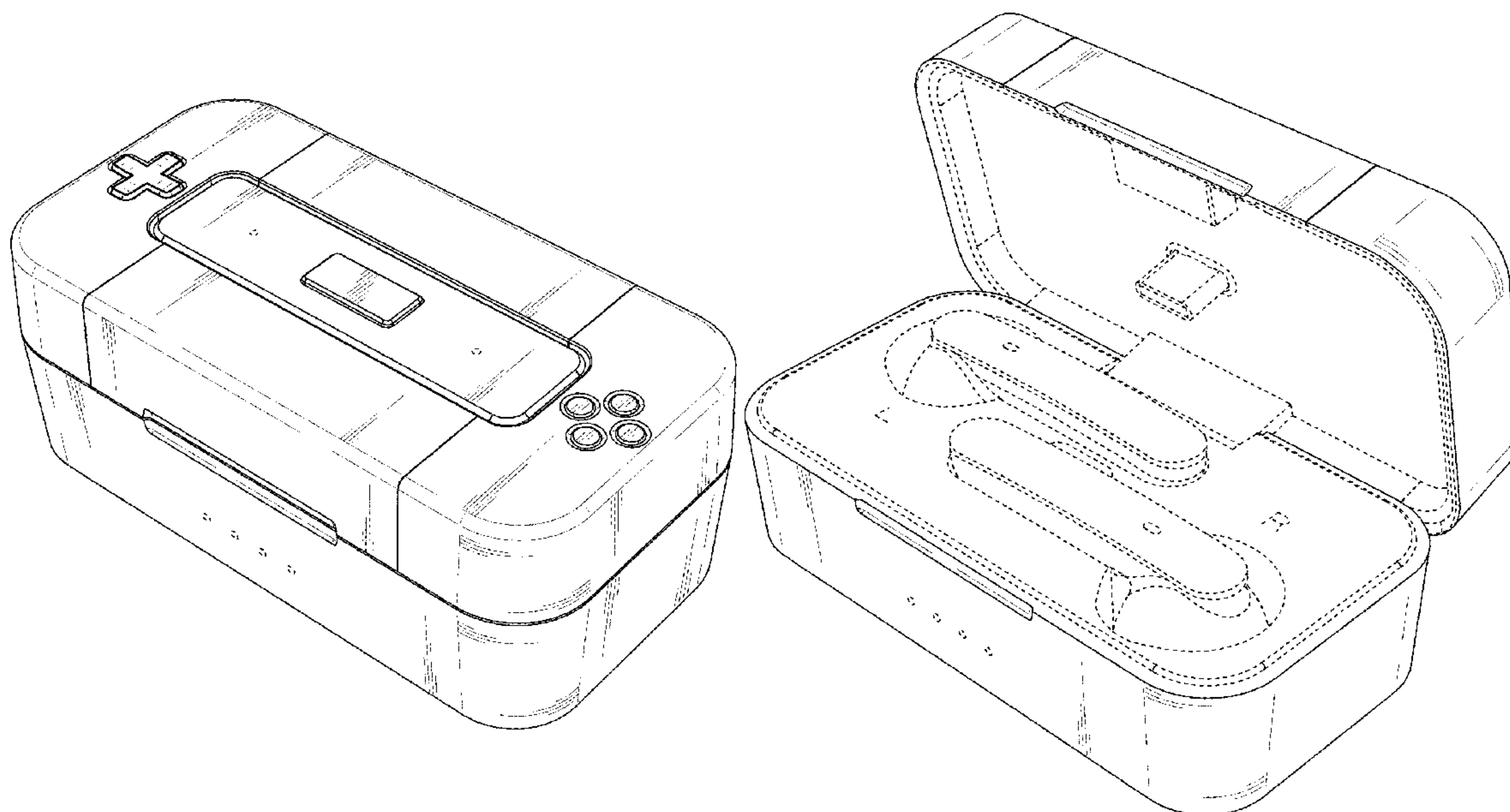
The ornamental design for a charging case for earphones, as shown and described.

DESCRIPTION

FIG. 1 is a top, front and right side perspective view of a charging case for earphones showing our new design; FIG. 2 is a bottom, rear and left side perspective view thereof; FIG. 3 is a front elevational view thereof; FIG. 4 is a rear elevational view thereof; FIG. 5 is a left side view thereof; FIG. 6 is a right side view thereof; FIG. 7 is a top plan view thereof; FIG. 8 is a bottom plan view thereof; and, FIG. 9 is a top, front and right side perspective view showing the charging case for earphones in an open state.

The broken lines in the drawings depict portions of the charging case for earphones that form no part of the claimed design. The broken lines showing earphones in FIG. 9 depict environmental subject matter only, and form no part of the claimed design.

1 Claim, 9 Drawing Sheets



(56)

References Cited

OTHER PUBLICATIONS

“Audio-Technica CKR7TW and SPORT7TW”. Found online Jul. 26, 2021 at [theverge.com](https://www.theverge.com). Reference dated Feb. 7, 2019. Retrieved from <https://www.theverge.com/2019/2/7/18213349/audio-technica-ckr7tw-sport7tw-earphones-review-price-specs>. (Year: 2019).*

“FIIL T1 True Wireless Earphones”. Found online Jul. 14, 2021 at hifigo.com. Reference dated Jul. 31, 2019. Retrieved from <https://hifigo.com/blogs/tws/deep-dive-teardown-of-true-wireless-earbuds-under-100-fiil-t1-hifigo>. (Year: 2019).*

* cited by examiner

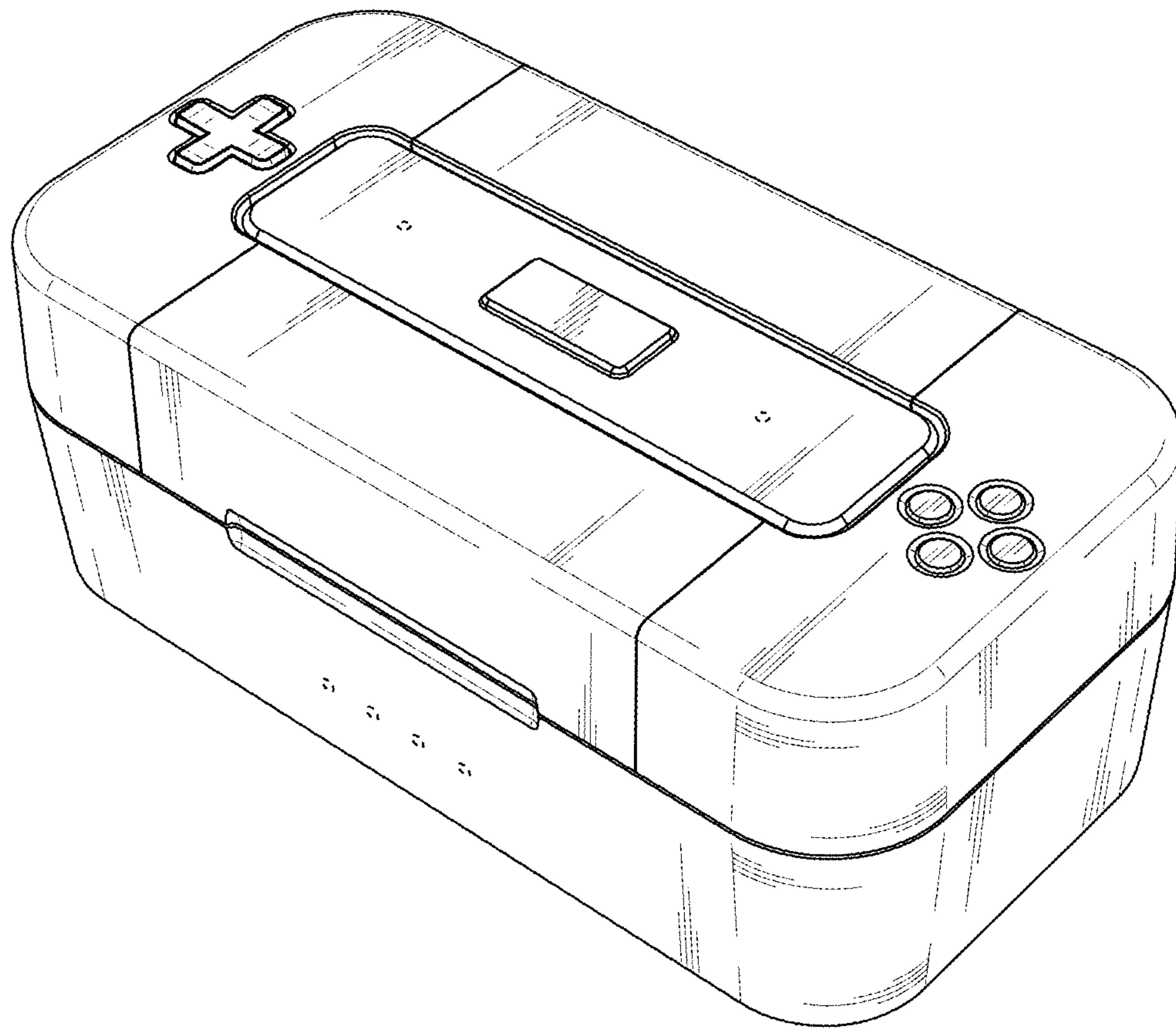


Fig. 1

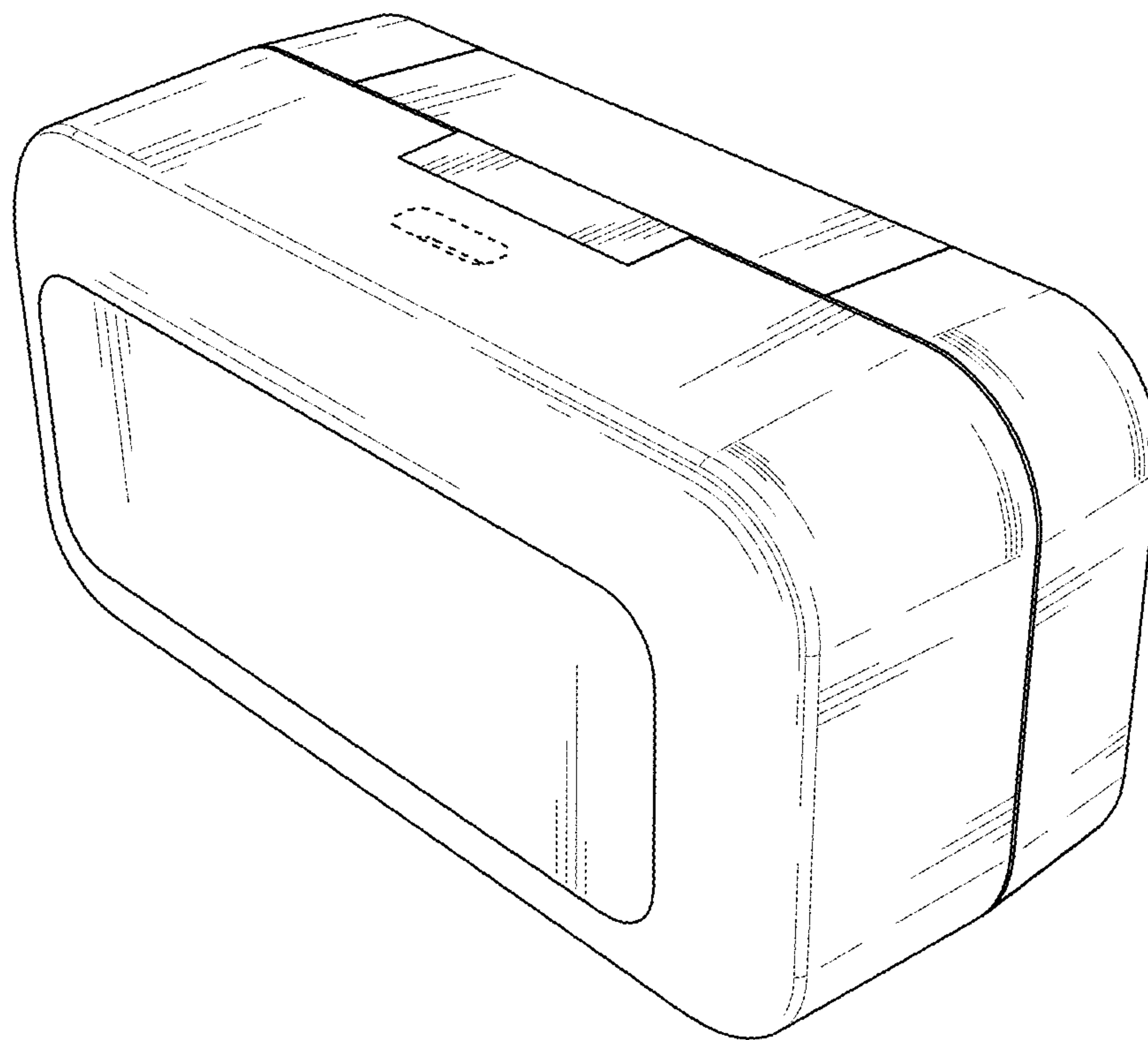


Fig. 2

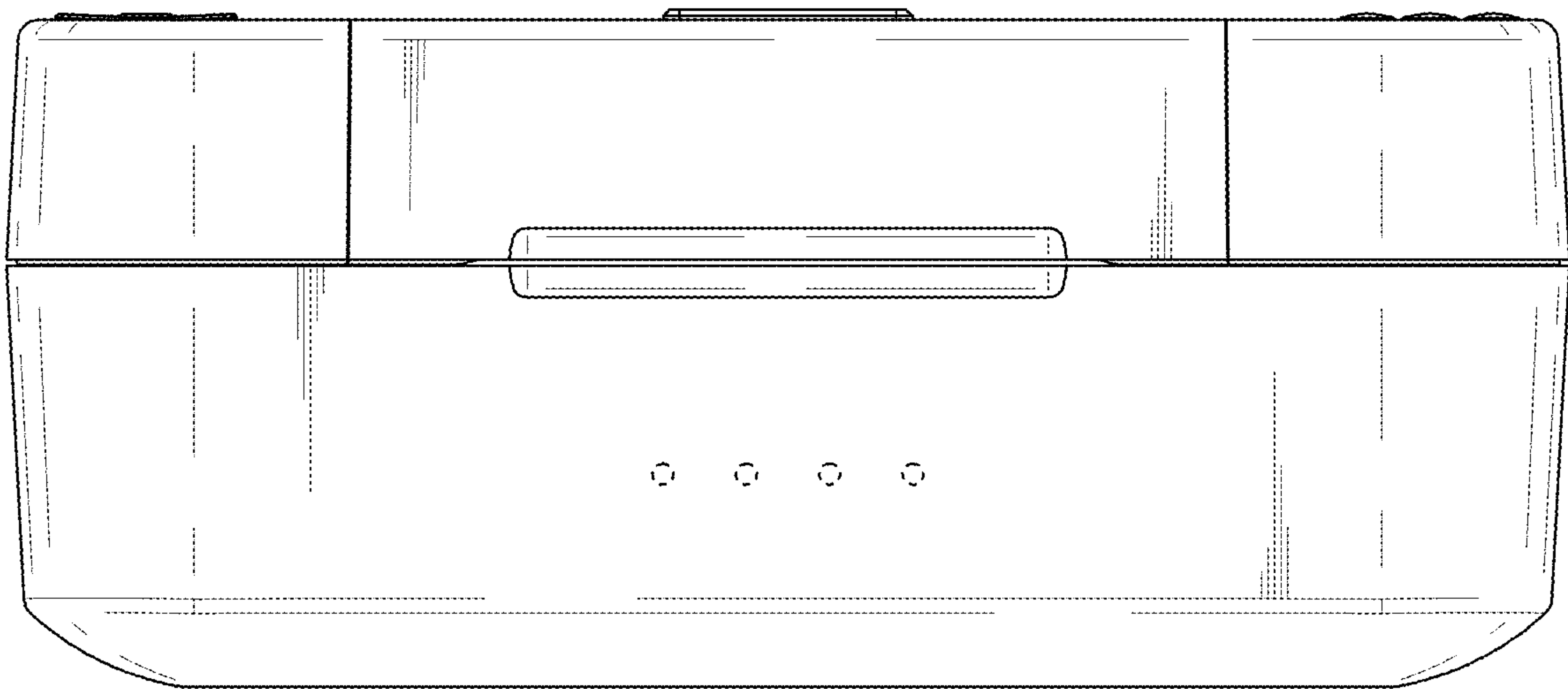


Fig. 3

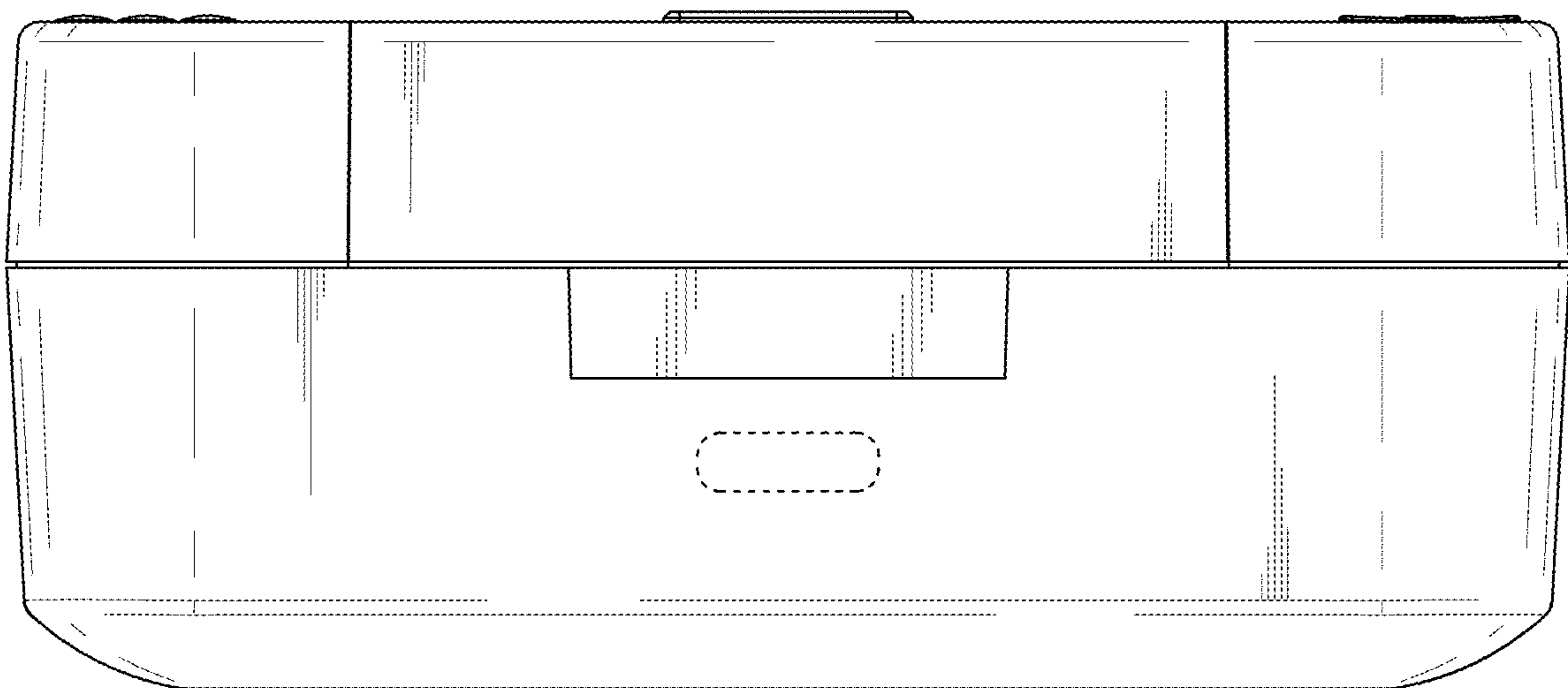


Fig. 4

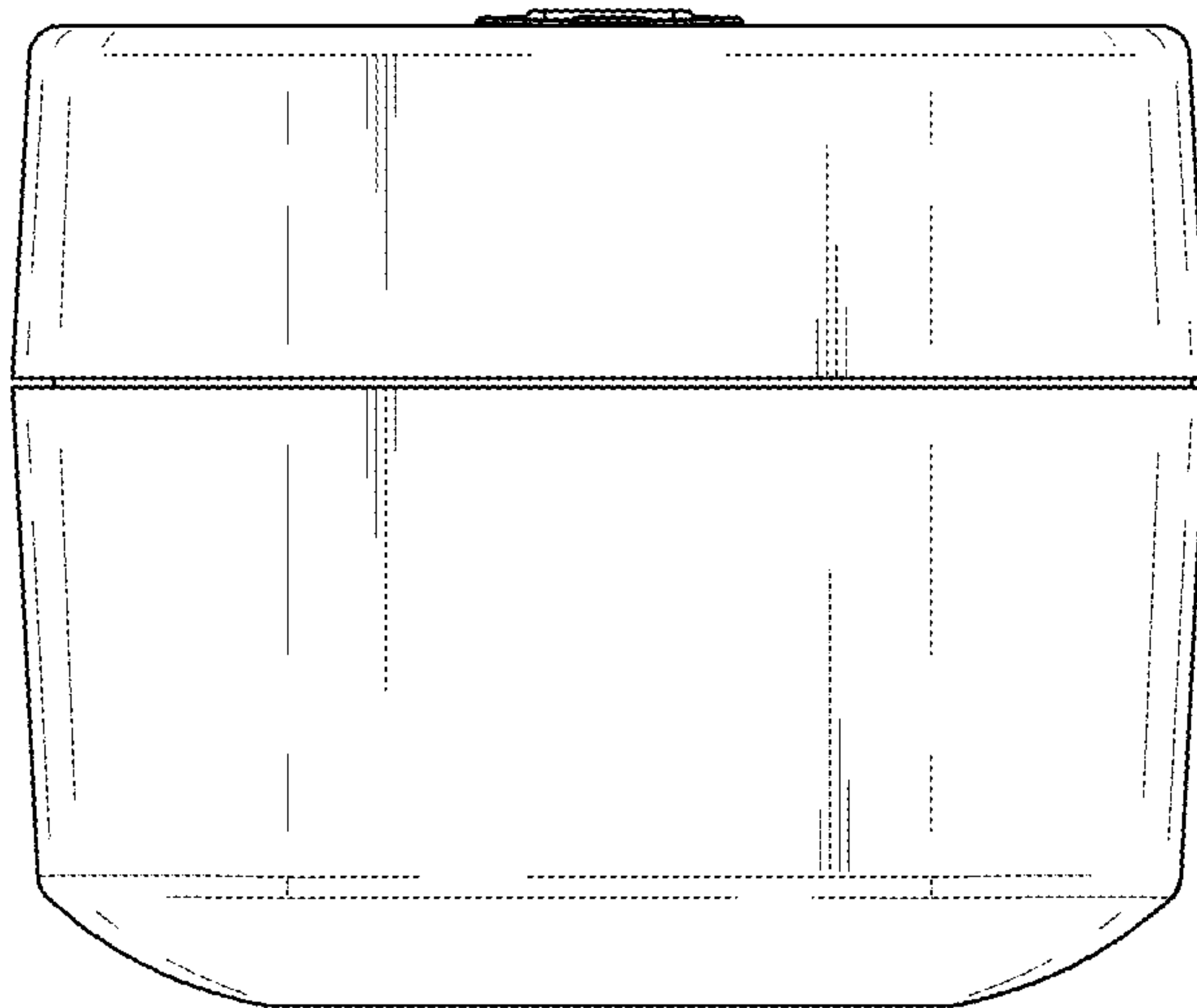


Fig. 5

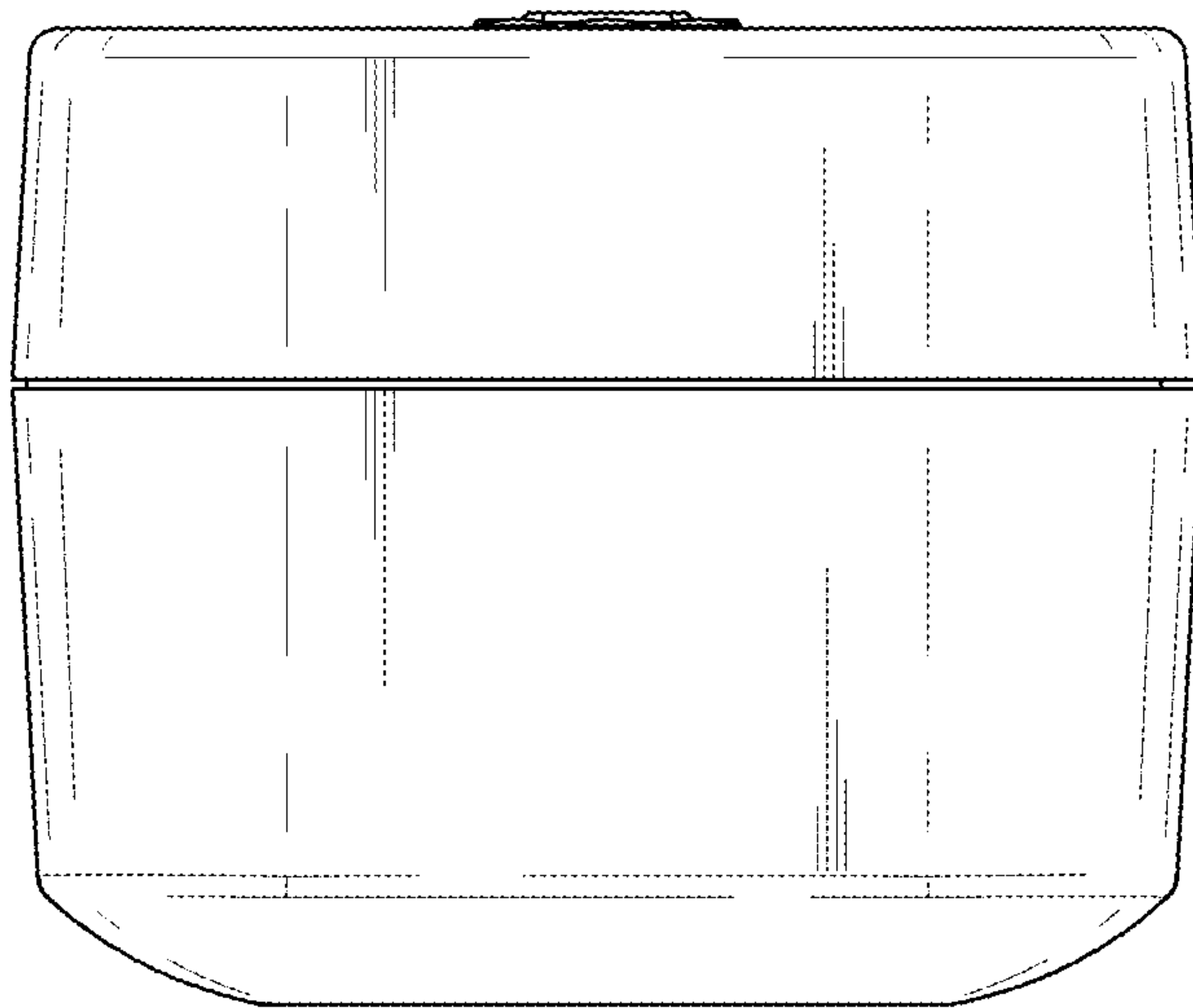


Fig. 6

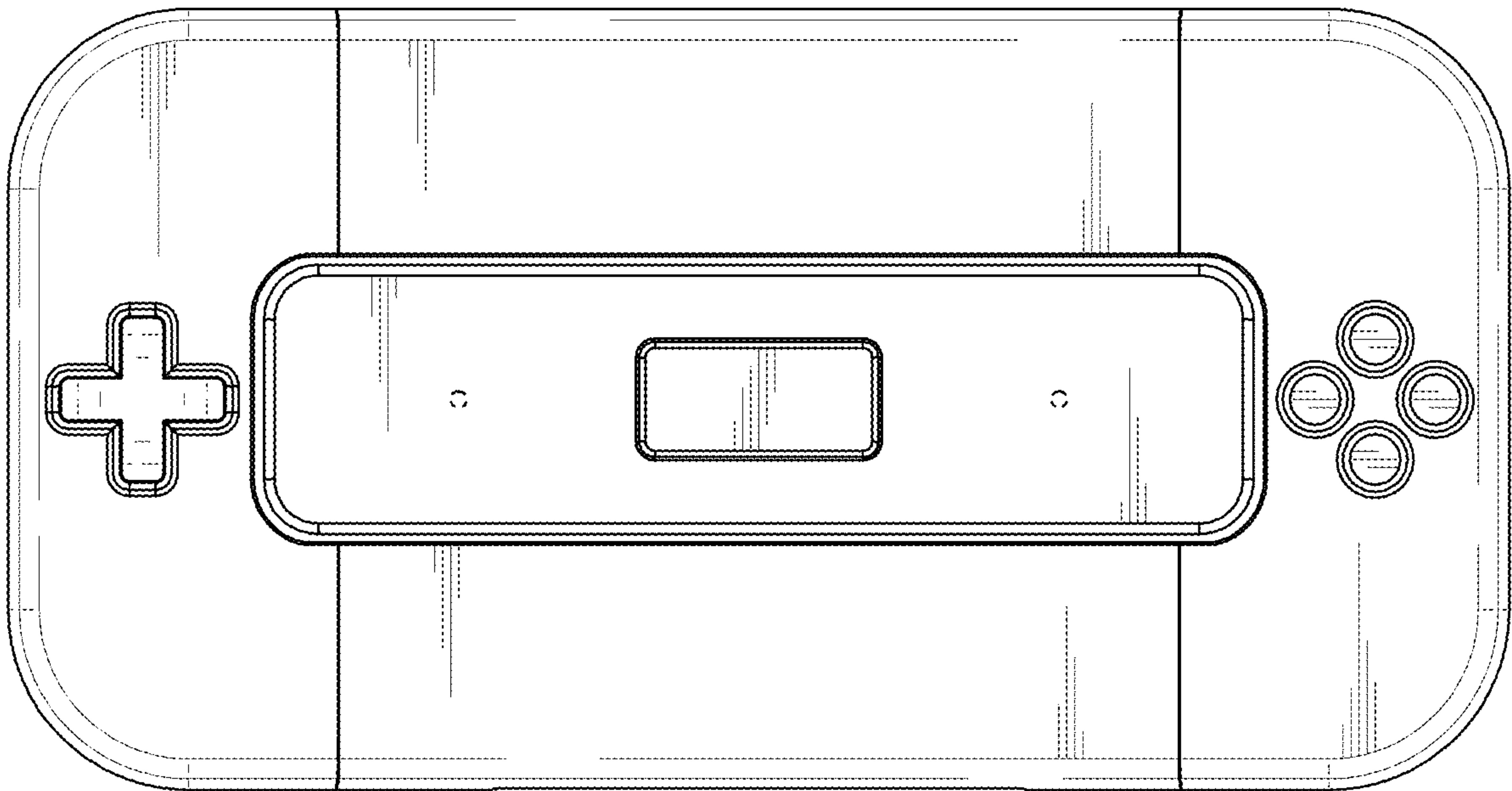


Fig. 7

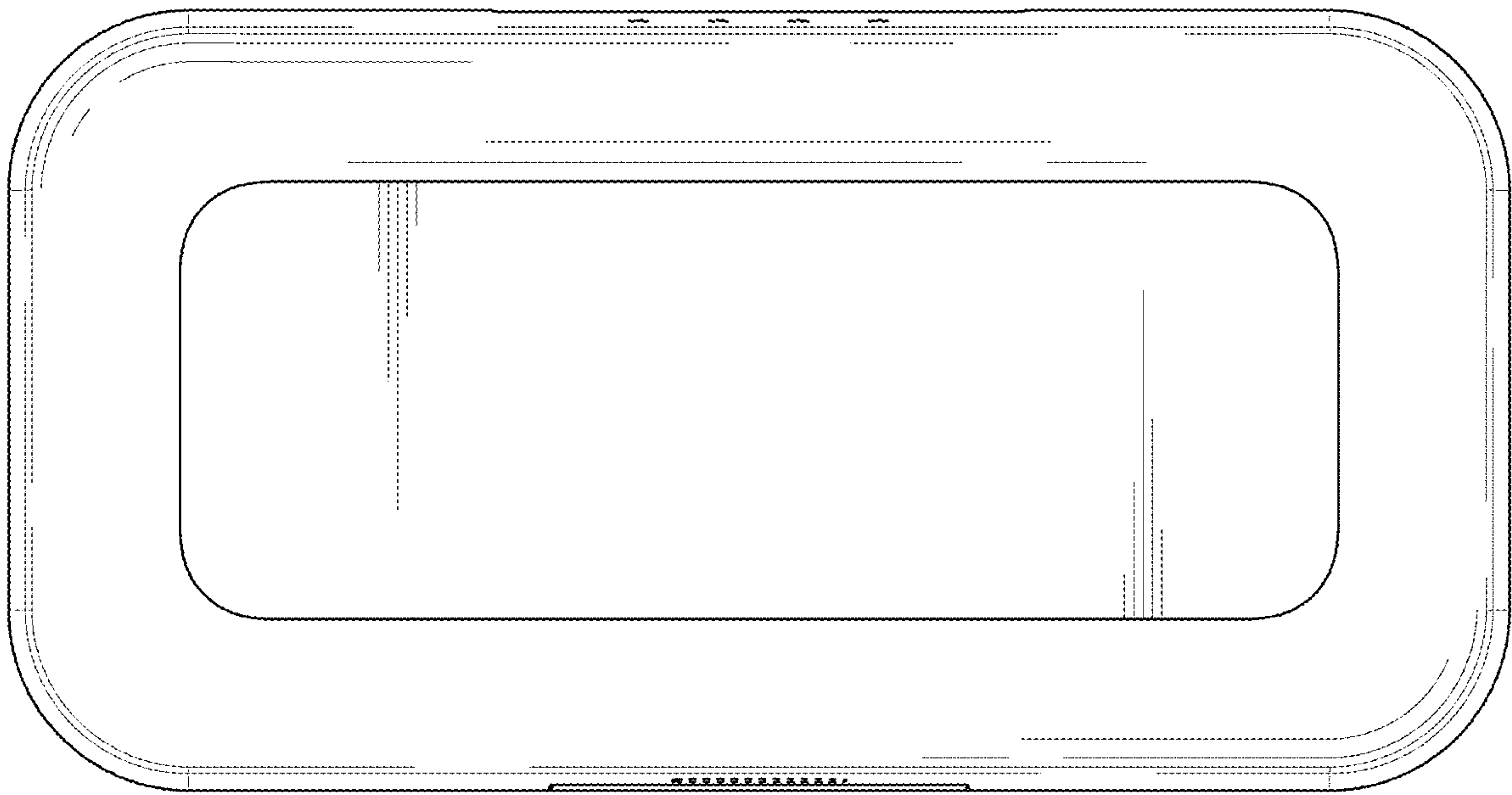


Fig. 8

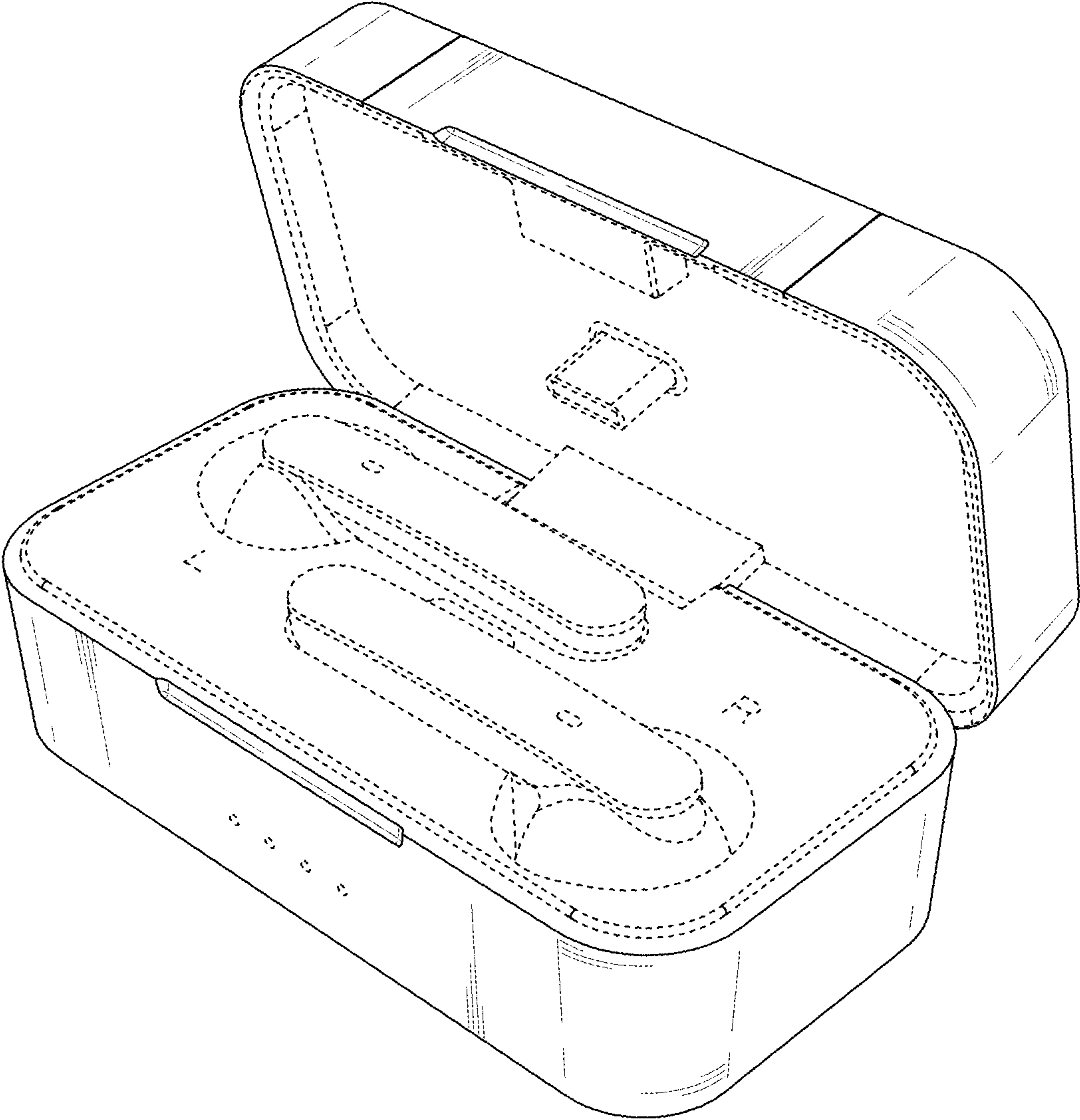


Fig. 9