



US00D979489S

(12) **United States Design Patent** (10) **Patent No.:** **US D979,489 S**  
**Bonilla et al.** (45) **Date of Patent:** **\*\* Feb. 28, 2023**

(54) **CHARGE CENTER**  
(71) Applicant: **Hubbell Incorporated**, Shelton, CT (US)  
(72) Inventors: **Nelson Bonilla**, Shelton, CT (US);  
**Jason Walker**, Bethany, CT (US);  
**Timothy Repp**, Barkhamsted, CT (US)  
(73) Assignee: **Hubbell Incorporated**, Shelton, CT (US)  
(\*\*) Term: **15 Years**  
(21) Appl. No.: **29/825,119**  
(22) Filed: **Jan. 28, 2022**

D530,667 S \* 10/2006 Viduya ..... D13/107  
D609,637 S \* 2/2010 Chu ..... D13/108  
D609,638 S \* 2/2010 Biheller ..... D13/108  
D647,907 S \* 11/2011 Perry ..... D14/434  
D654,019 S \* 2/2012 Ikegame ..... D13/108  
8,310,201 B1 11/2012 Wright  
D680,066 S 4/2013 Kinoshita  
(Continued)

**FOREIGN PATENT DOCUMENTS**

CN 103226184 A 7/2013  
CN 203205893 U 9/2013  
(Continued)

*Primary Examiner* — Rosemary K Tarcza  
(74) *Attorney, Agent, or Firm* — Michael Best & Friedrich LLP

**Related U.S. Application Data**

(62) Division of application No. 29/677,136, filed on Jan. 17, 2019, now Pat. No. Des. 942,930.  
(51) **LOC (14) Cl.** ..... **13-02**  
(52) **U.S. Cl.**  
USPC ..... **D13/107**  
(58) **Field of Classification Search**  
USPC ..... D13/107–110, 118–119, 184, 199;  
D14/251, 253, 432, 434  
CPC ..... H02J 7/025; H02J 7/005; H02J 7/0026;  
H02J 7/0042; H02J 7/0044; H02J 7/0045;  
H02J 7/0013; H02J 7/0003  
See application file for complete search history.

(57) **CLAIM**

We claim the ornamental design for a charge center, as shown and described.

**DESCRIPTION**

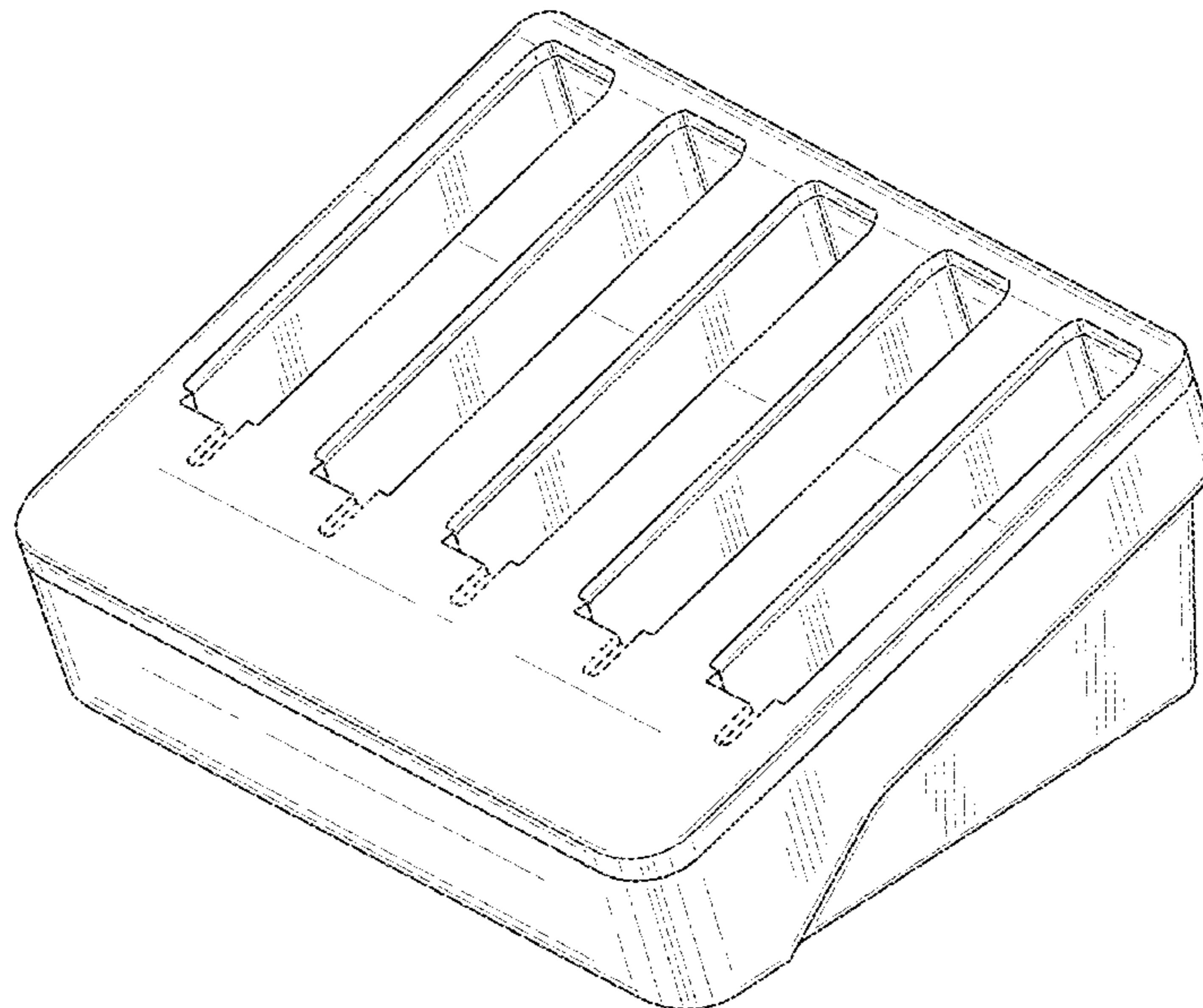
FIG. 1 is a top perspective view of a charge center according to an embodiment of the application.  
FIG. 2 is a front view of the charge center shown in FIG. 1.  
FIG. 3 is a rear view of the charge center shown in FIG. 1.  
FIG. 4 is a first side view of the charge center shown in FIG. 1.  
FIG. 5 is a second side view of the charge center shown in FIG. 1.  
FIG. 6 is a top view of the charge center shown in FIG. 1; and,  
FIG. 7 is a bottom view of the charge center shown in FIG. 1.  
The elements shown in broken lines are included for the purpose of illustrating environment and form no part of the claimed design.

(56) **References Cited**

**U.S. PATENT DOCUMENTS**

D278,704 S \* 5/1985 Claxton ..... D13/107  
D336,631 S \* 6/1993 Ivester ..... D13/108  
D375,936 S \* 11/1996 Palatov ..... D13/108  
6,326,767 B1 12/2001 Small et al.  
D456,085 S 4/2002 O'Brian  
D526,995 S \* 8/2006 Claxton ..... D13/108

**1 Claim, 7 Drawing Sheets**



(56)

References Cited

U.S. PATENT DOCUMENTS

D710,797 S \* 8/2014 Awiszus ..... D13/107  
 D722,957 S \* 2/2015 Kotaniemi ..... D13/108  
 D736,703 S 8/2015 Kotaniemi  
 D743,884 S \* 11/2015 Kotaniemi ..... D13/108  
 D755,122 S 5/2016 Gecawicz  
 D761,729 S 7/2016 Leong  
 D801,920 S 11/2017 Yoon  
 D805,030 S 12/2017 Massar  
 D823,792 S \* 7/2018 Komoni ..... D13/107  
 D860,132 S 9/2019 Fu  
 D866,460 S \* 11/2019 Komoni ..... D13/108  
 D879,713 S \* 3/2020 Piper ..... D13/108  
 D887,354 S \* 6/2020 Urasini ..... D13/108  
 D894,906 S \* 9/2020 Li ..... D14/434  
 D896,227 S \* 9/2020 Sjögren ..... D16/237  
 D902,212 S \* 11/2020 Sjögren ..... D16/242  
 D908,616 S \* 1/2021 Bonilla ..... D13/108  
 D909,295 S \* 2/2021 Bonilla ..... D13/108  
 D942,930 S \* 2/2022 Bonilla ..... D13/107  
 2005/0110639 A1 5/2005 Puzio et al.  
 2010/0259213 A1 10/2010 Maharaj  
 2011/0121790 A1 5/2011 Brandon, II  
 2011/0145086 A1 6/2011 Valdes et al.  
 2011/0234153 A1 9/2011 Abramson  
 2012/0249051 A1 10/2012 Son et al.  
 2013/0026981 A1 1/2013 Van Der Lee

2013/0274920 A1 10/2013 Abramson et al.  
 2013/0279206 A1 10/2013 Yang  
 2013/0328522 A1 12/2013 Brockman et al.  
 2014/0053620 A1 2/2014 Taylor et al.  
 2015/0123598 A1 5/2015 Tew et al.  
 2015/0326061 A1 11/2015 Davison et al.  
 2015/0357084 A1 12/2015 Willget et al.  
 2015/0372520 A1 12/2015 Fiebrich et al.  
 2016/0088482 A1 3/2016 Zeiler et al.  
 2016/0099590 A1 4/2016 Velderman et al.  
 2016/0156207 A1 6/2016 Frankenberger  
 2017/0070067 A1 3/2017 Suzuki et al.  
 2018/0375349 A1 12/2018 Bonilla et al.

FOREIGN PATENT DOCUMENTS

CN 103853672 A 6/2014  
 CN 106056777 A 10/2016  
 CN 106182009 A 12/2016  
 CN 106204938 A 12/2016  
 CN 205827534 A 12/2016  
 CN 205862456 A 1/2017  
 CN 205915343 A 2/2017  
 CN 107301733 A 10/2017  
 CN 107393177 A 11/2017  
 CN 107437836 A 12/2017  
 EP 926798 A1 6/1999

\* cited by examiner

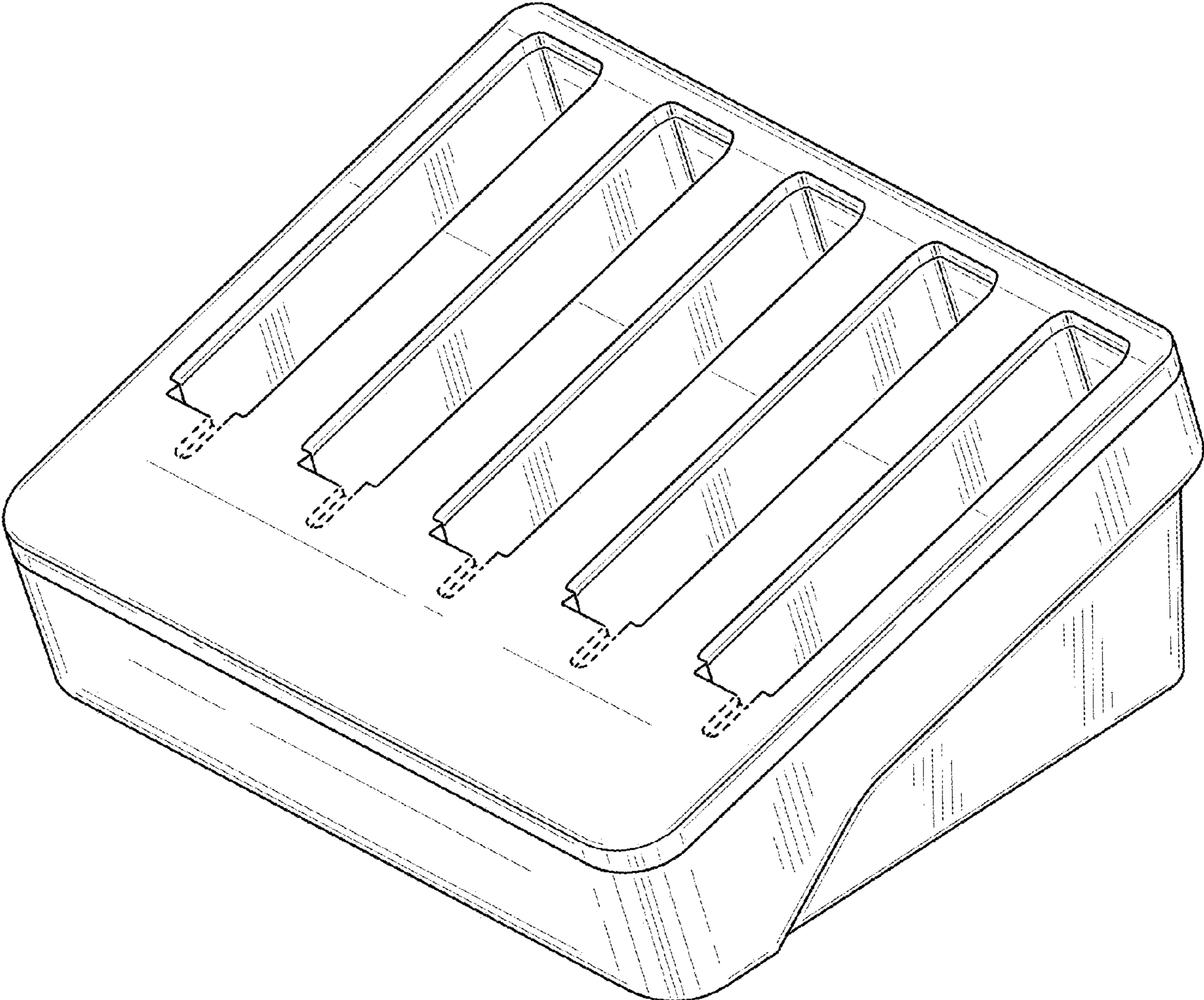


FIG. 1



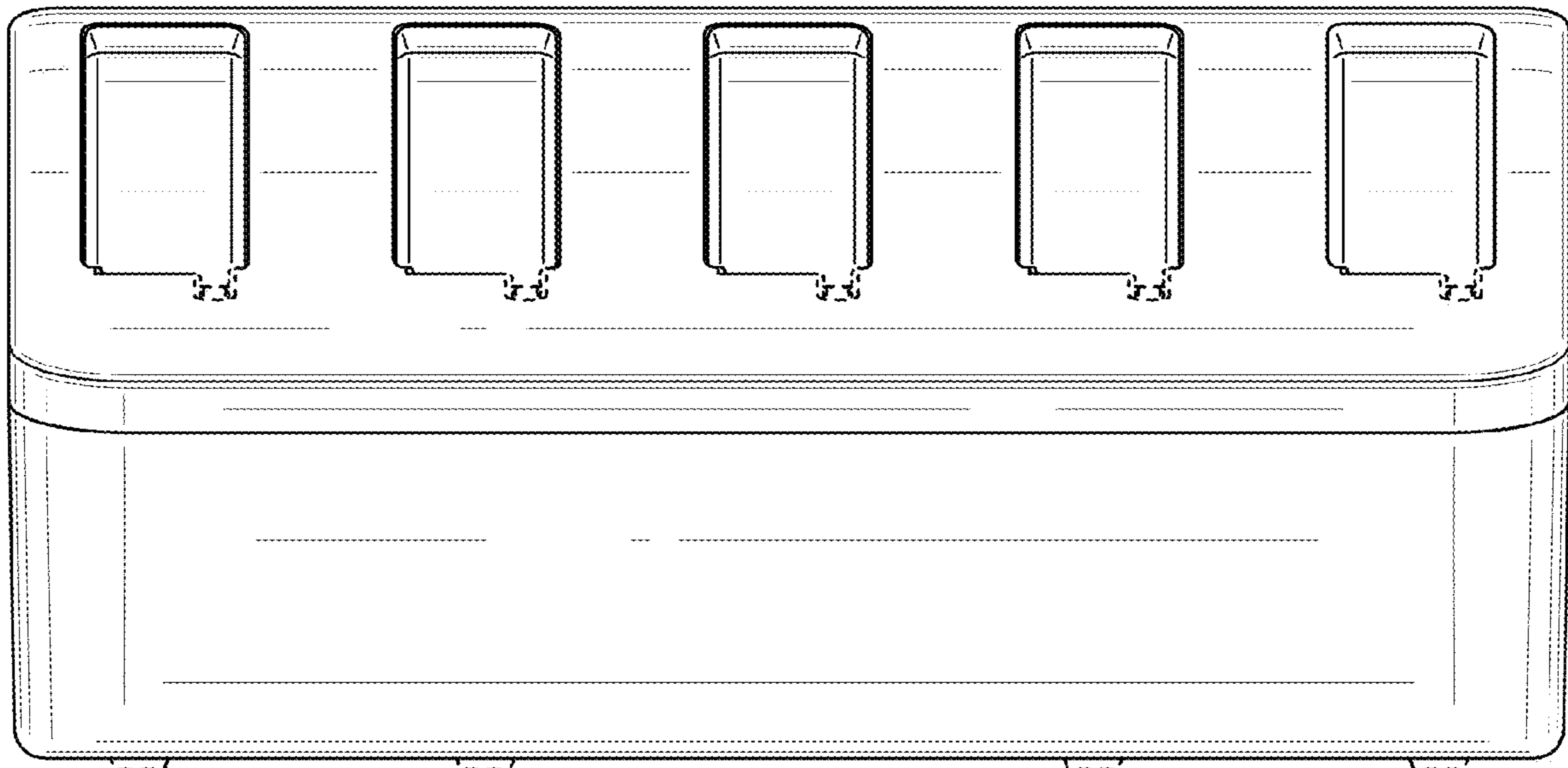


FIG. 2

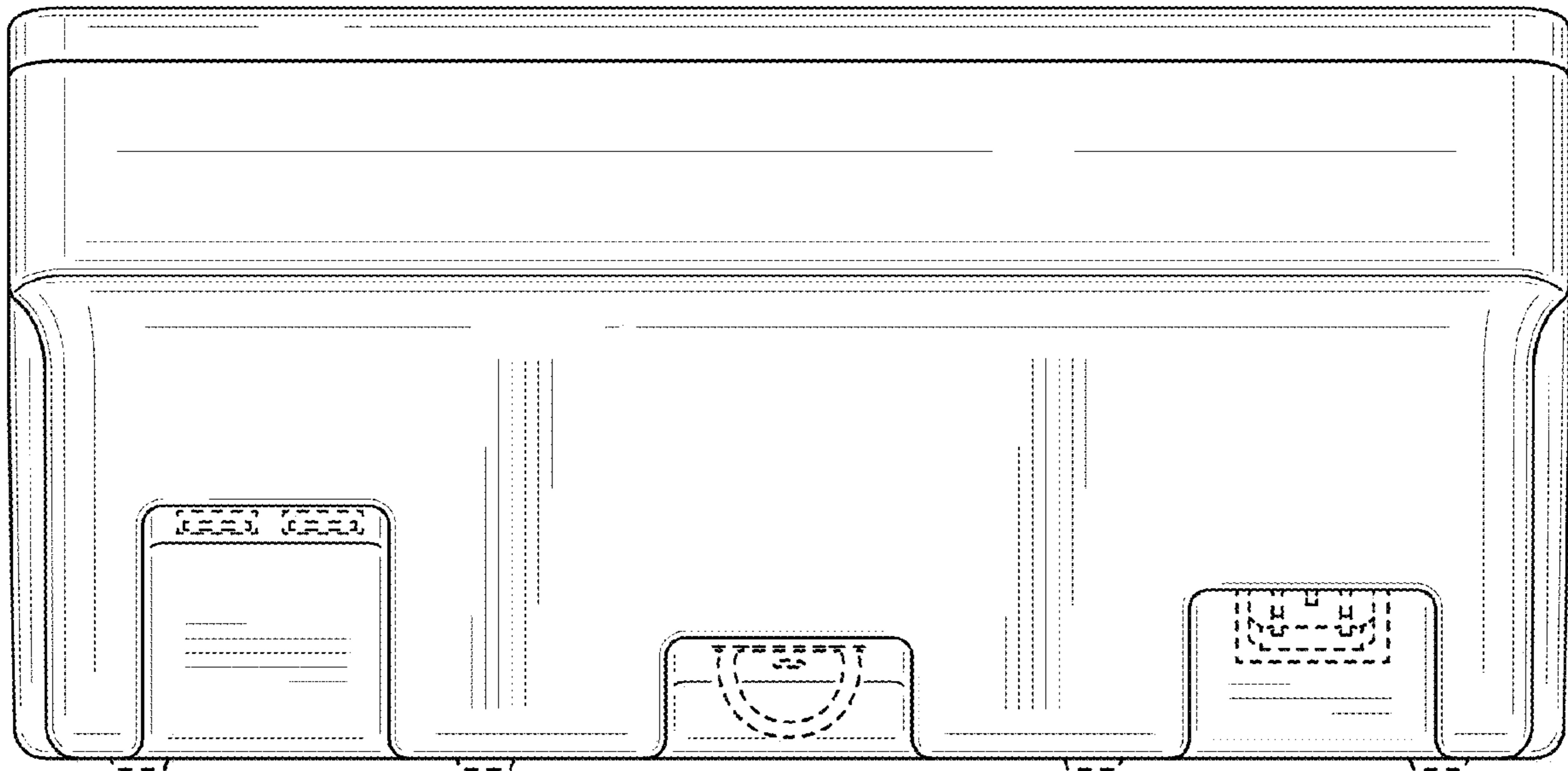


FIG. 3

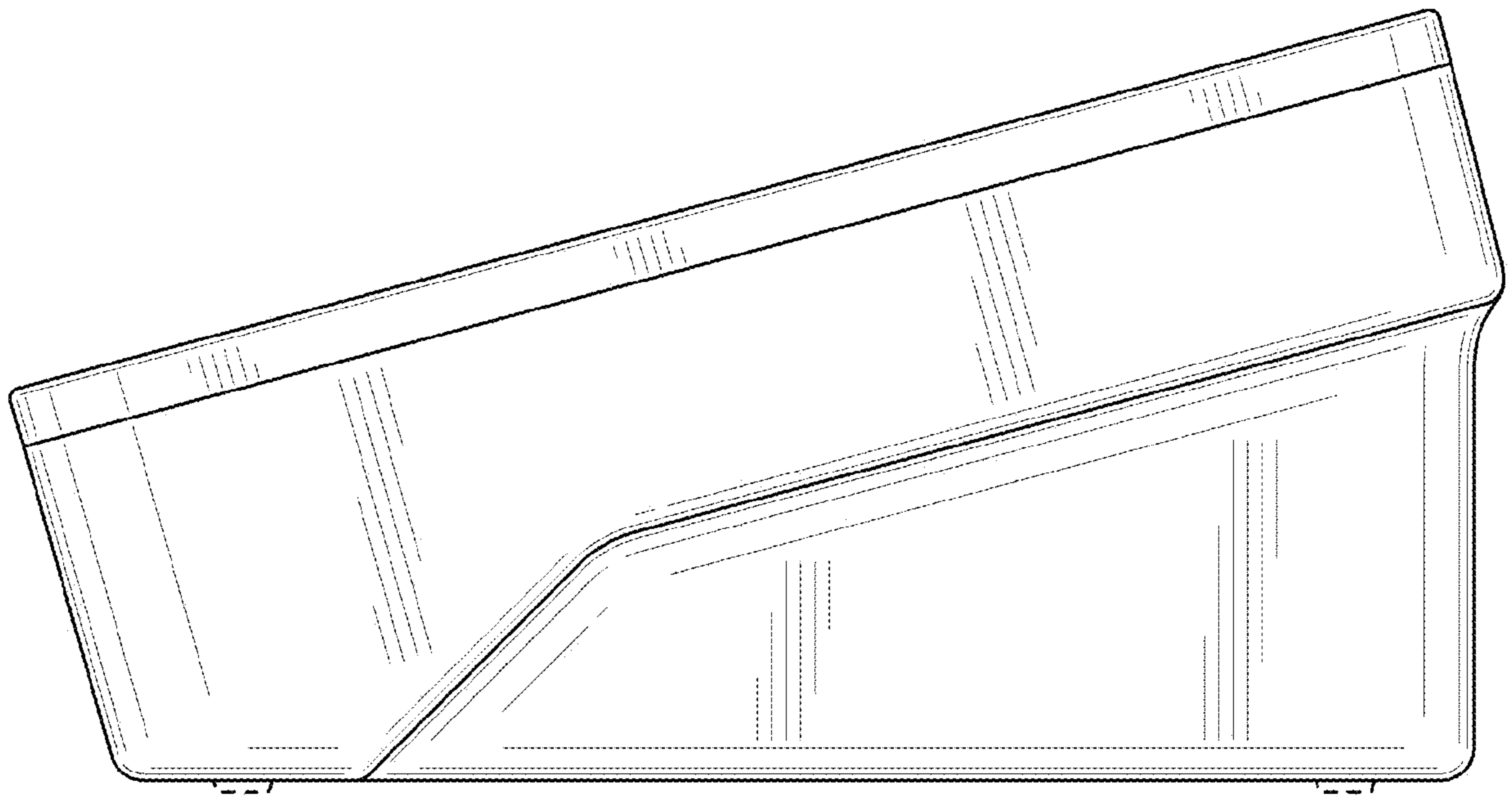


FIG. 4

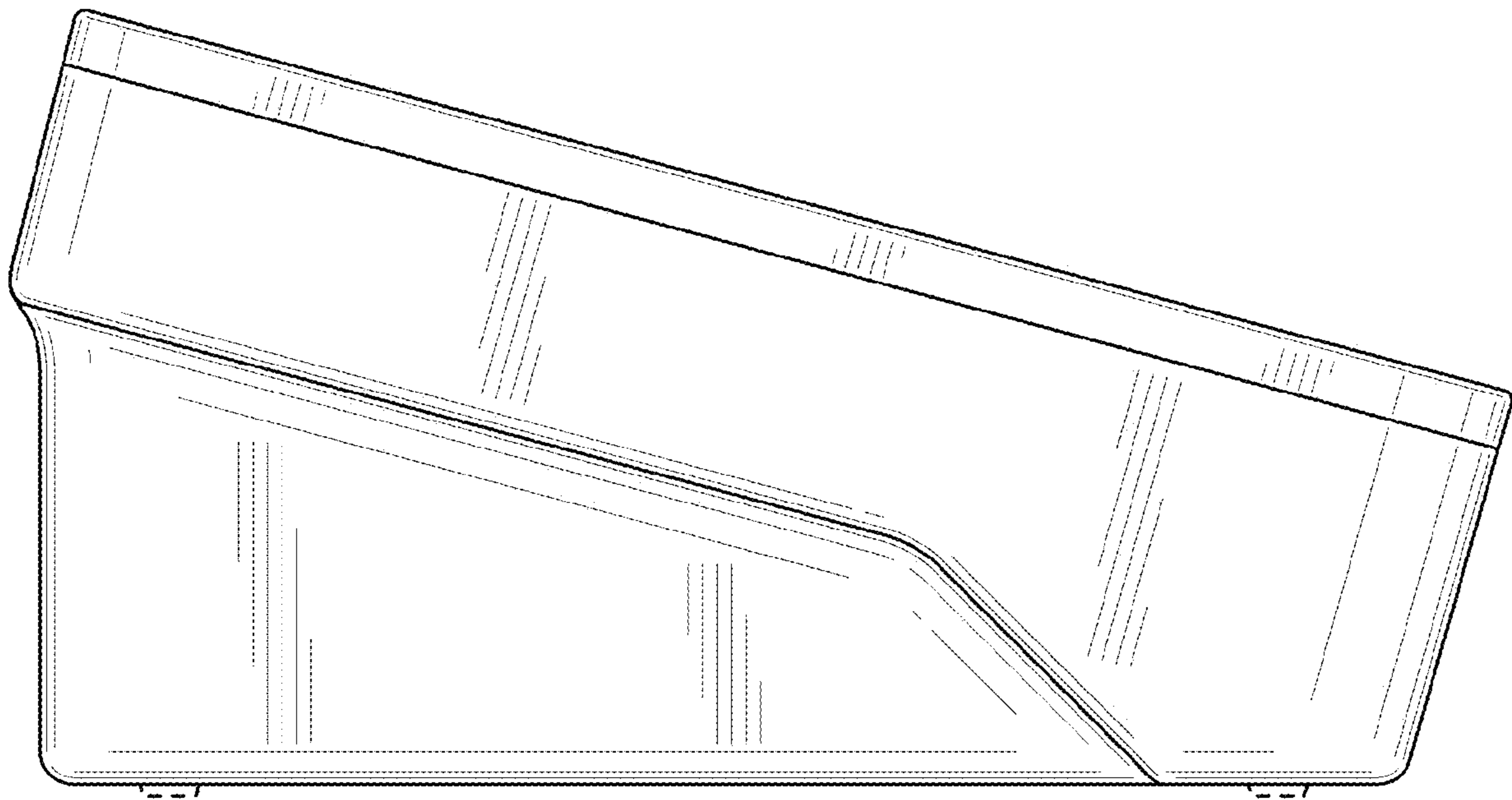


FIG. 5

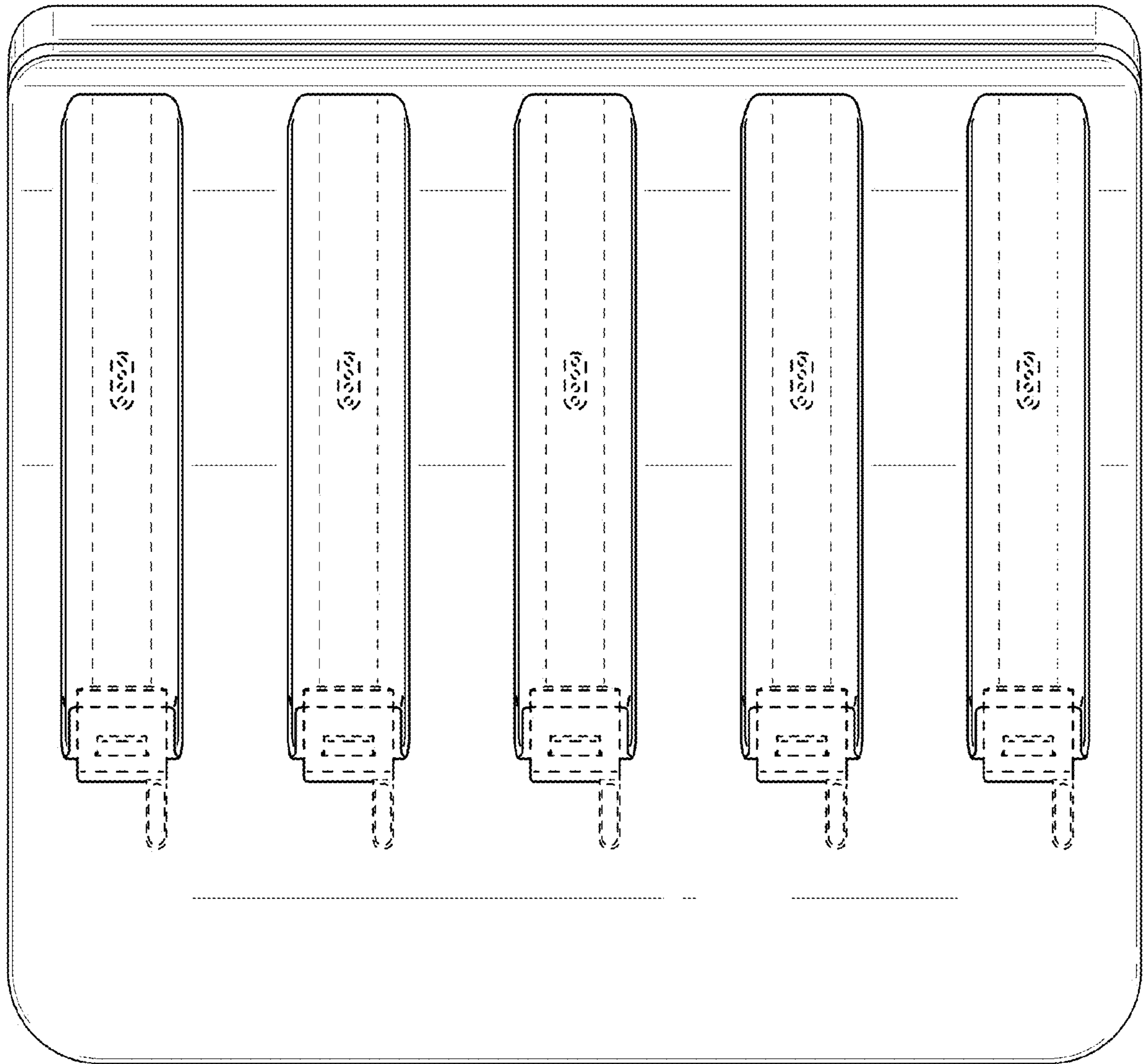


FIG. 6



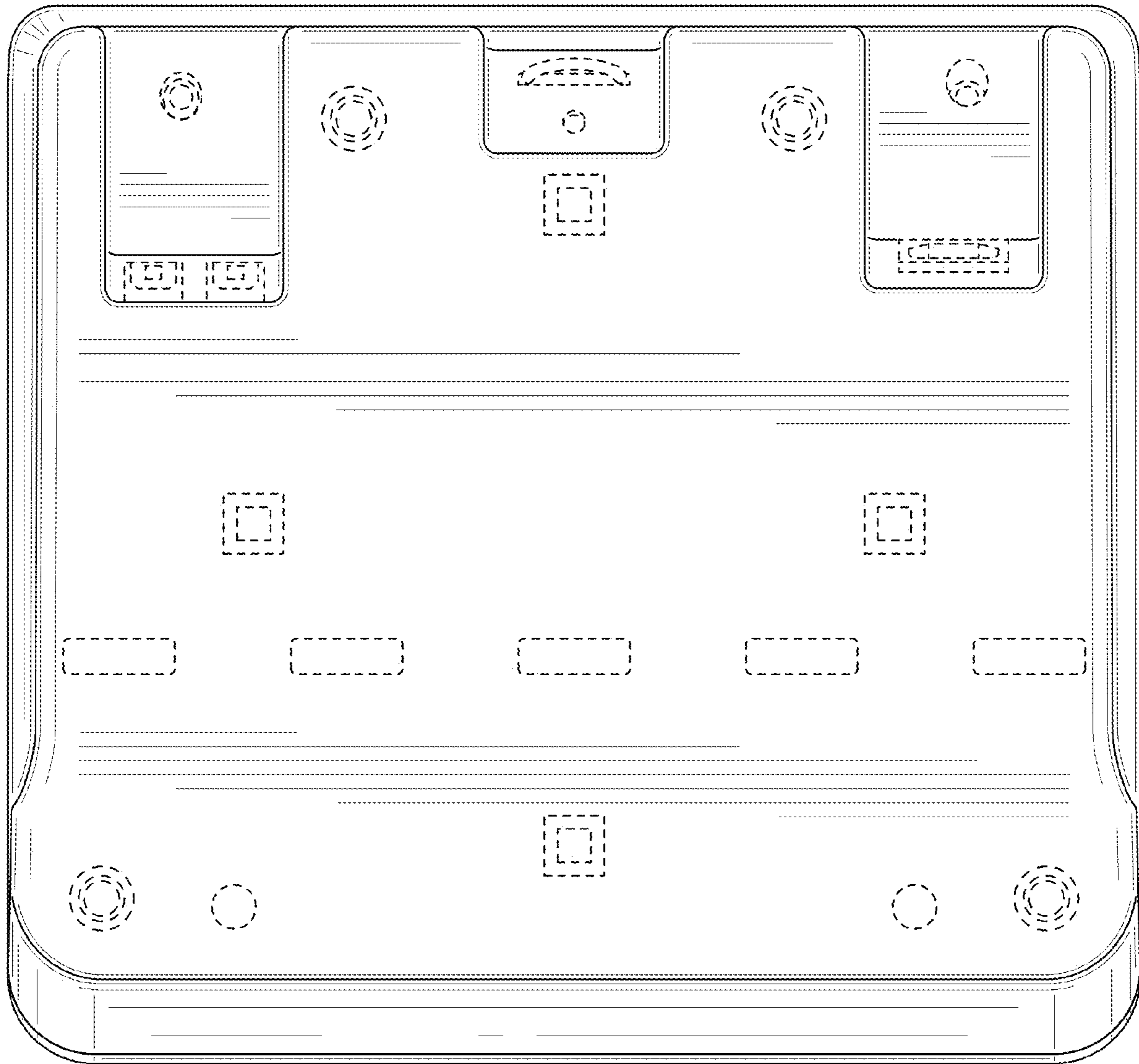


FIG. 7