



US00D979488S

(12) **United States Design Patent** (10) **Patent No.:** **US D979,488 S**
Liu (45) **Date of Patent:** **** Feb. 28, 2023**

(54) **BATTERY**
(71) Applicant: **Zhanyi Liu**, Guangdong (CN)
(72) Inventor: **Zhanyi Liu**, Guangdong (CN)
(**) Term: **15 Years**
(21) Appl. No.: **29/762,991**
(22) Filed: **Dec. 21, 2020**
(51) **LOC (14) Cl.** **13-02**
(52) **U.S. Cl.**
USPC **D13/103**
(58) **Field of Classification Search**
USPC D13/102–110, 118–119, 184, 199;
D14/356, 432
CPC Y02E 60/10; H01M 10/44; H01M 10/46;
H01M 10/465; H01M 10/482; H01M
10/4257; H01M 10/12; H01M 10/623;
H01M 10/6235; H01M 2200/30; H01M
2250/30; H01M 2250/40; H01M 2250/20;
H01M 2220/30; H01M 50/10; H01M
50/136; H01M 50/56; H01M 50/1385;
H01M 4/0433; H01M 6/505; H02J 7/00;
H02J 7/0003; H02J 7/0013; H04B
1/3888; A45C 2011/002; H04M 1/0283
See application file for complete search history.

(56) **References Cited**
U.S. PATENT DOCUMENTS
D550,152 S * 9/2007 Okuda D13/103
D580,351 S * 11/2008 Elsmark D13/103
D711,818 S * 8/2014 Maki D13/103
D712,348 S * 9/2014 Zhang D13/103

D714,721 S * 10/2014 Zhang D13/119
D780,688 S * 3/2017 Elder D13/103
D797,661 S * 9/2017 Elder D13/103
D801,919 S * 11/2017 Elder D13/103
10,103,365 B2 * 10/2018 Zhang H01M 50/213
D861,594 S * 10/2019 Lai D12/167
10,439,415 B2 * 10/2019 Zhu H02J 7/02
D890,692 S * 7/2020 Elder D13/103
D894,120 S * 8/2020 Timm D13/103
D931,199 S * 9/2021 Gallagher D13/103
D951,862 S * 5/2022 Xia D13/103
D957,320 S * 7/2022 Liu D13/103
2014/0370354 A1 * 12/2014 Yang H01M 10/623
429/120
2015/0188333 A1 * 7/2015 Zhang H02J 7/0045
173/217
2016/0345714 A1 * 12/2016 Yamaoka B25F 5/02

* cited by examiner

Primary Examiner — Nathaniel D. Buckner

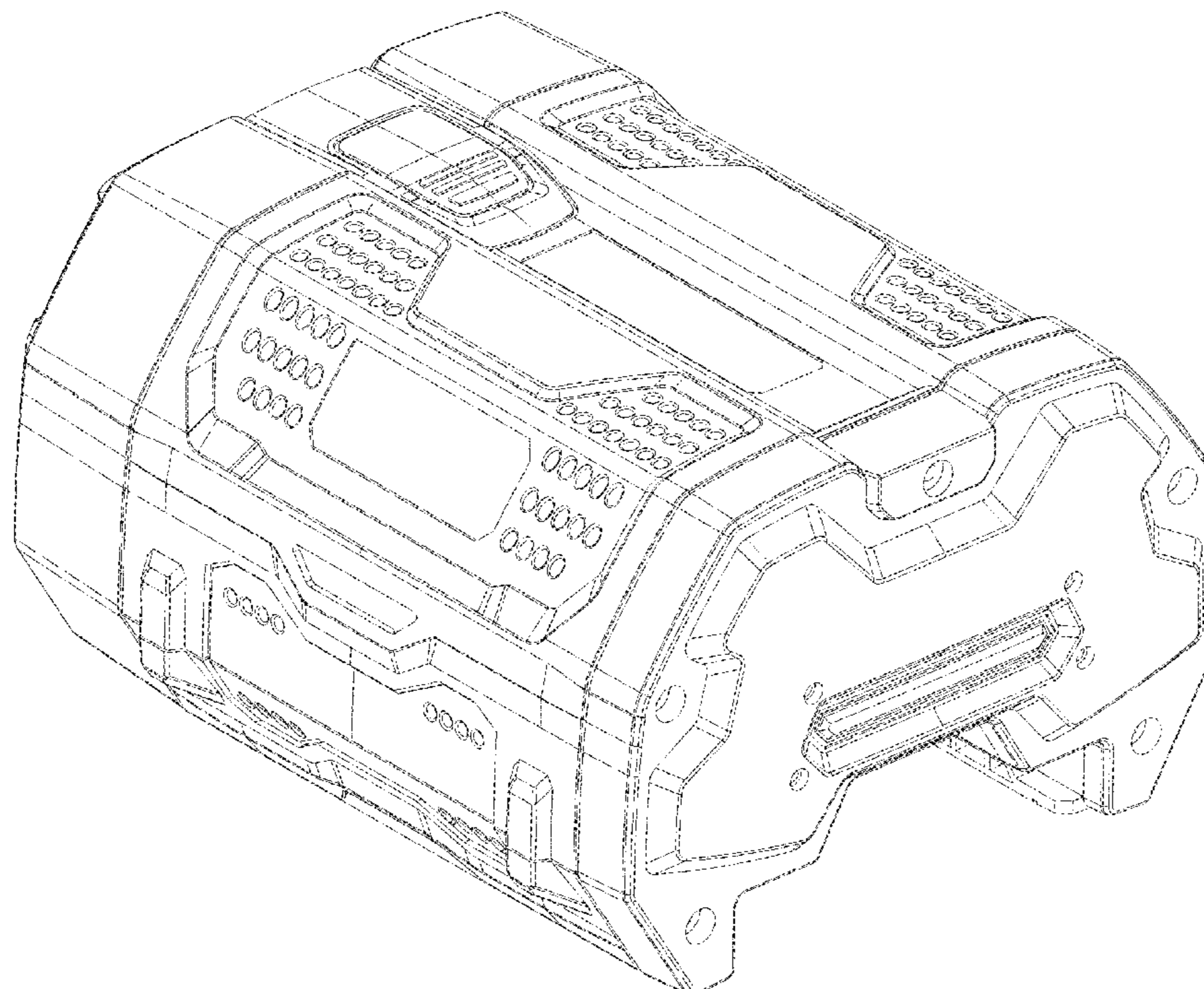
(57) **CLAIM**

The ornamental design for a battery, as shown and described.

DESCRIPTION

FIG. 1 is a front elevational view of a battery showing my new design;
FIG. 2 is a rear elevational view thereof;
FIG. 3 is a left side view thereof;
FIG. 4 is a right side view thereof;
FIG. 5 is a top plan view thereof;
FIG. 6 is a bottom plan view thereof;
FIG. 7 is a perspective view thereof; and,
FIG. 8 is another perspective view thereof.
The broken lines in the figures depict portions of the battery which form no part of the claimed design.

1 Claim, 8 Drawing Sheets



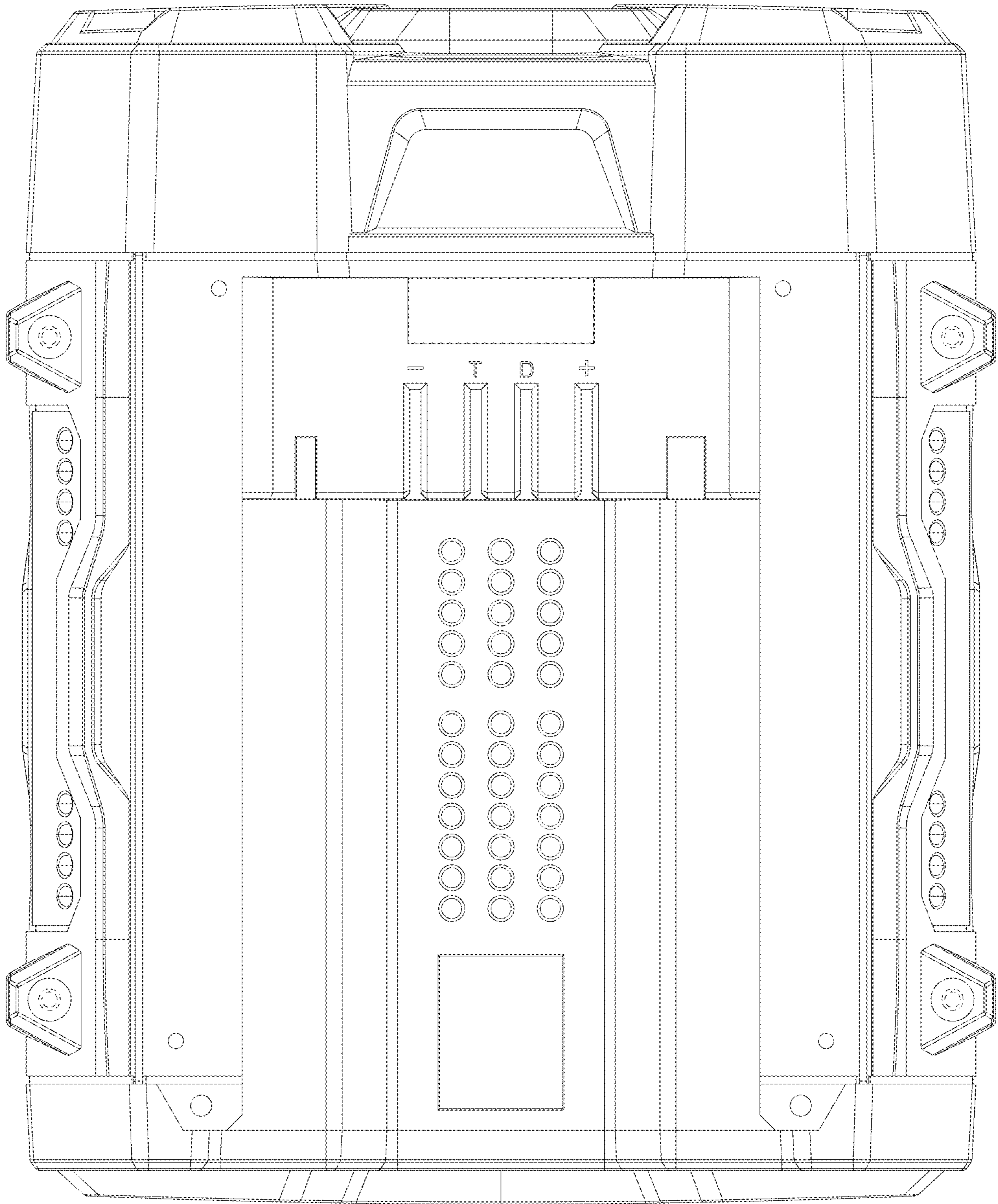


FIG.1

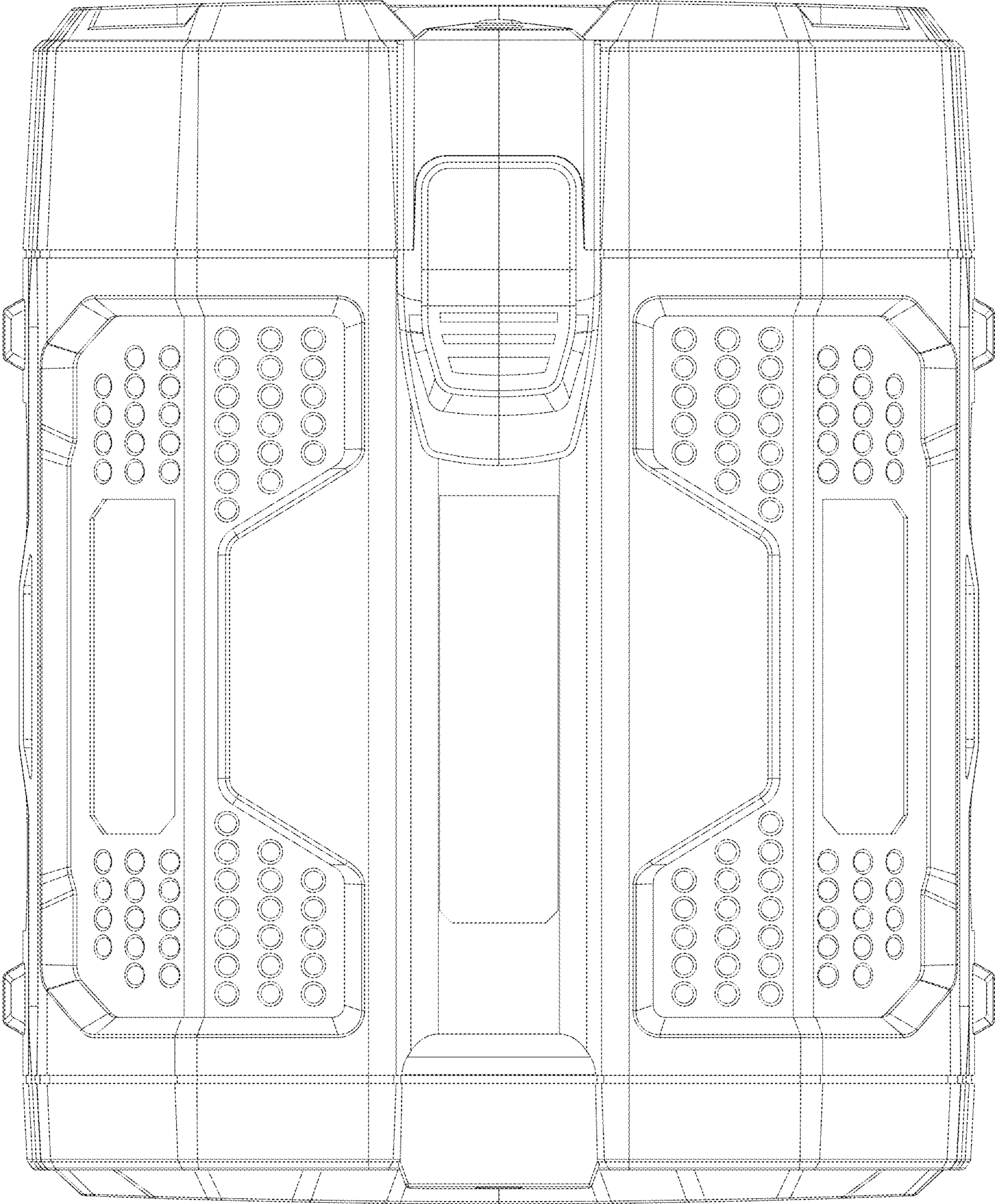


FIG.2

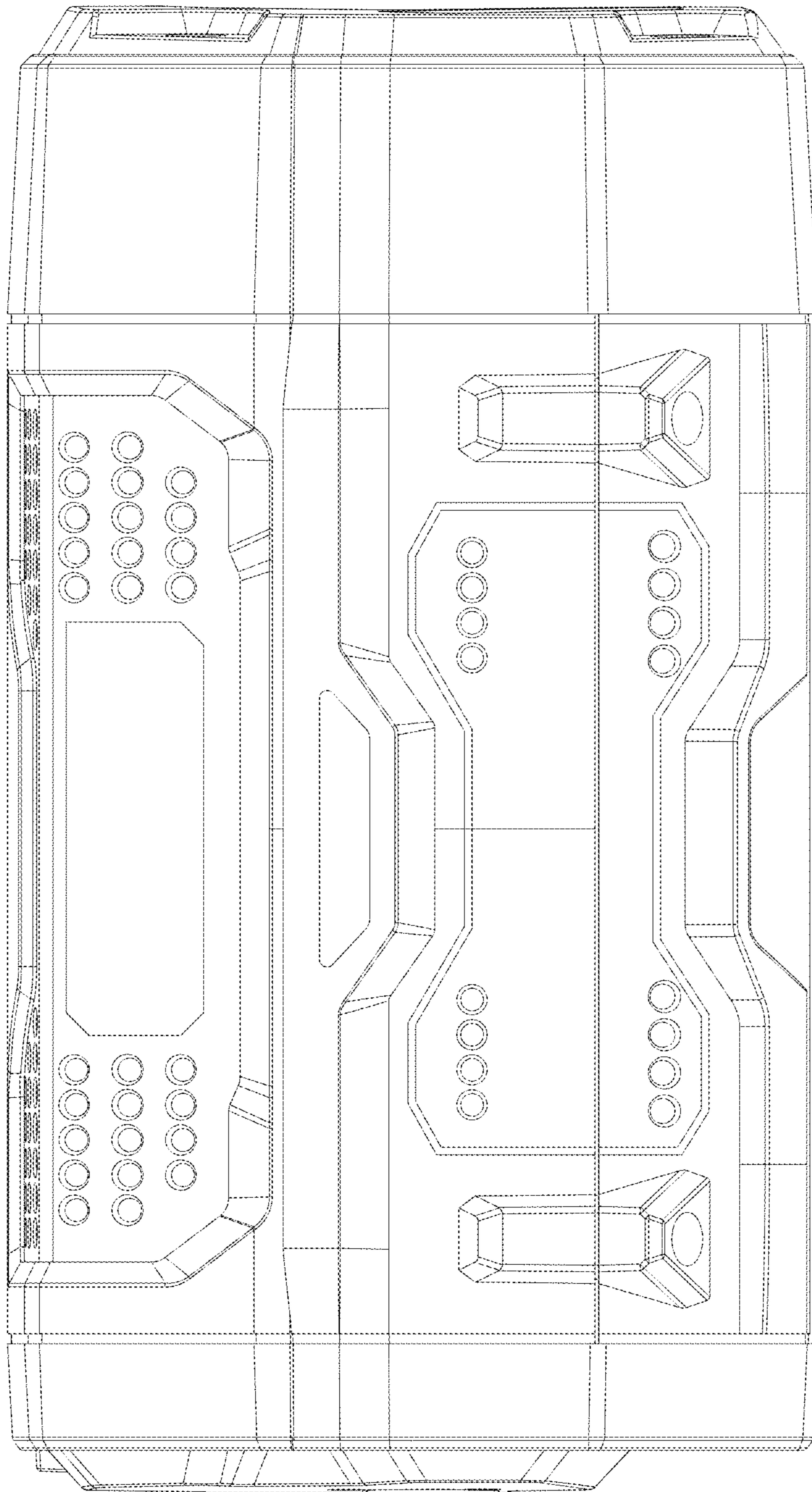


FIG.3

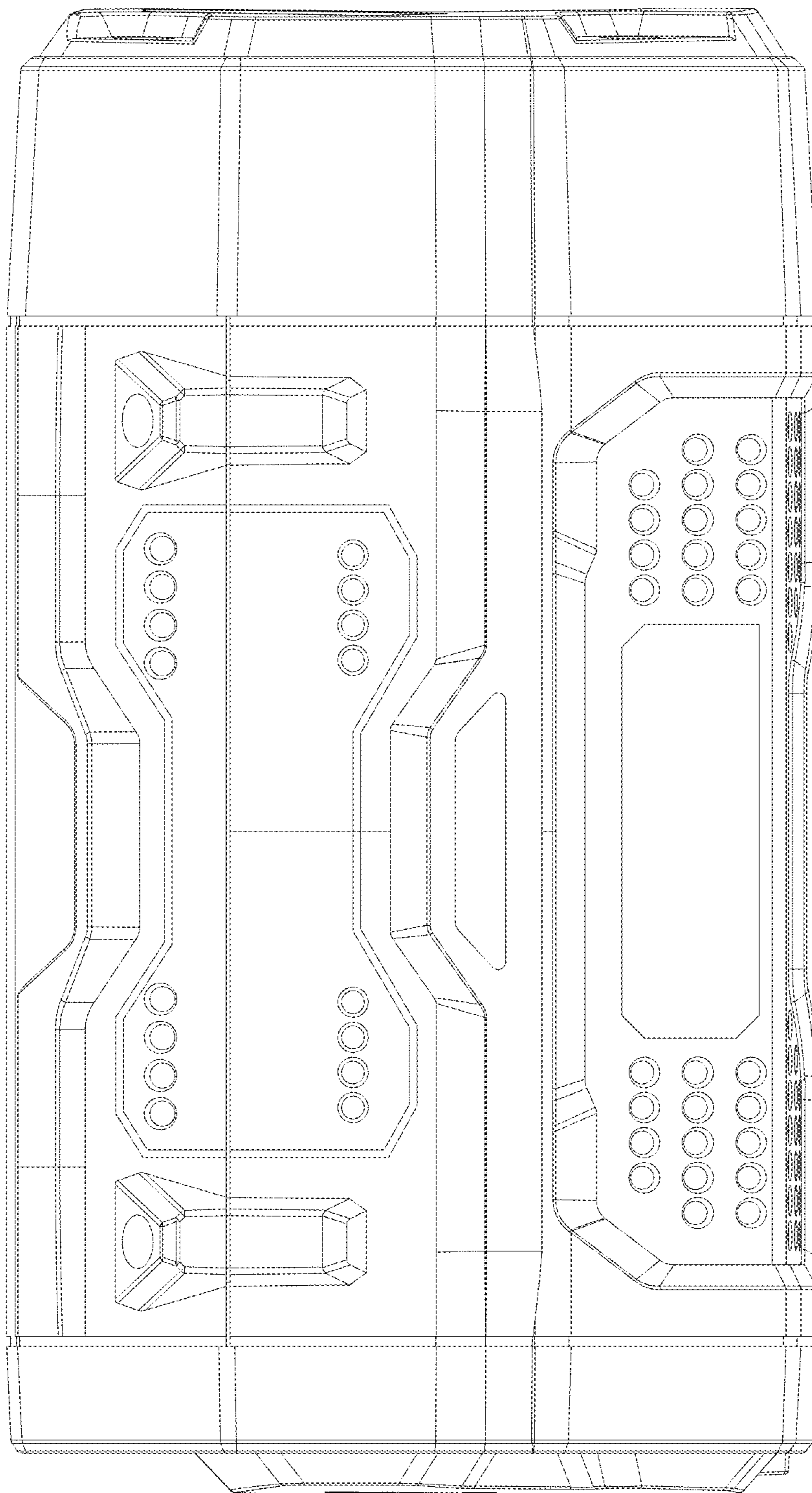


FIG.4

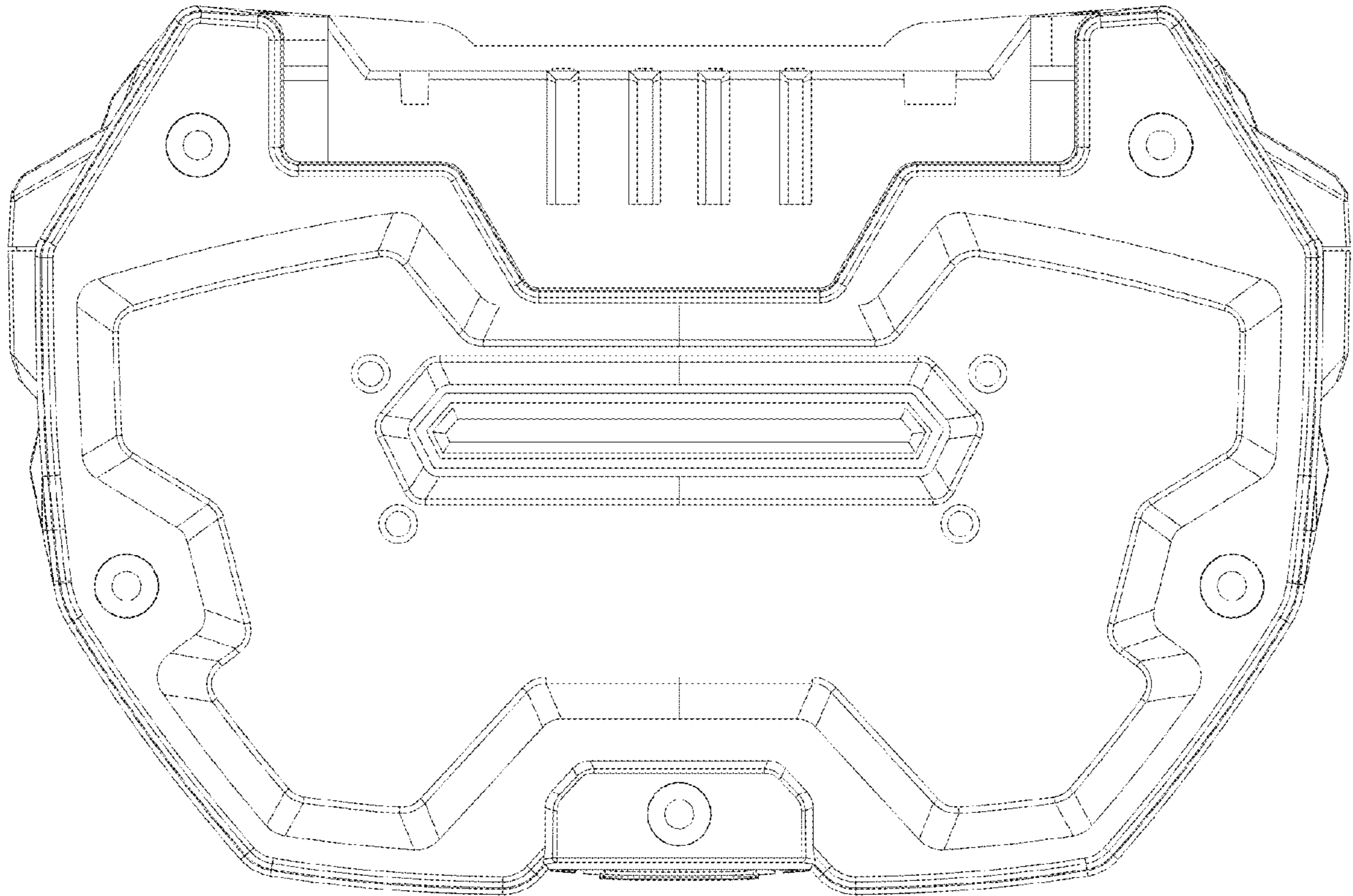


FIG.5

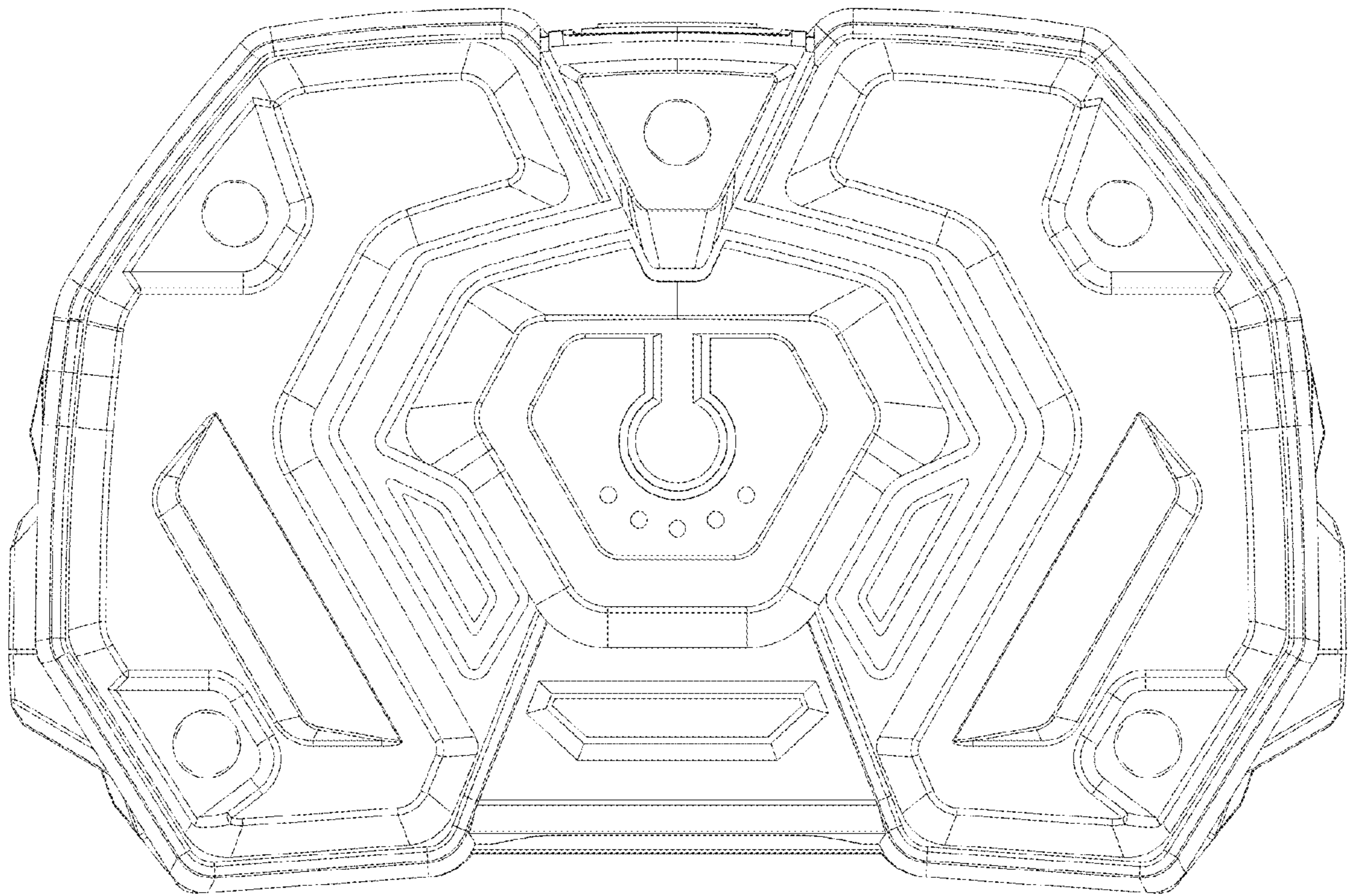


FIG.6

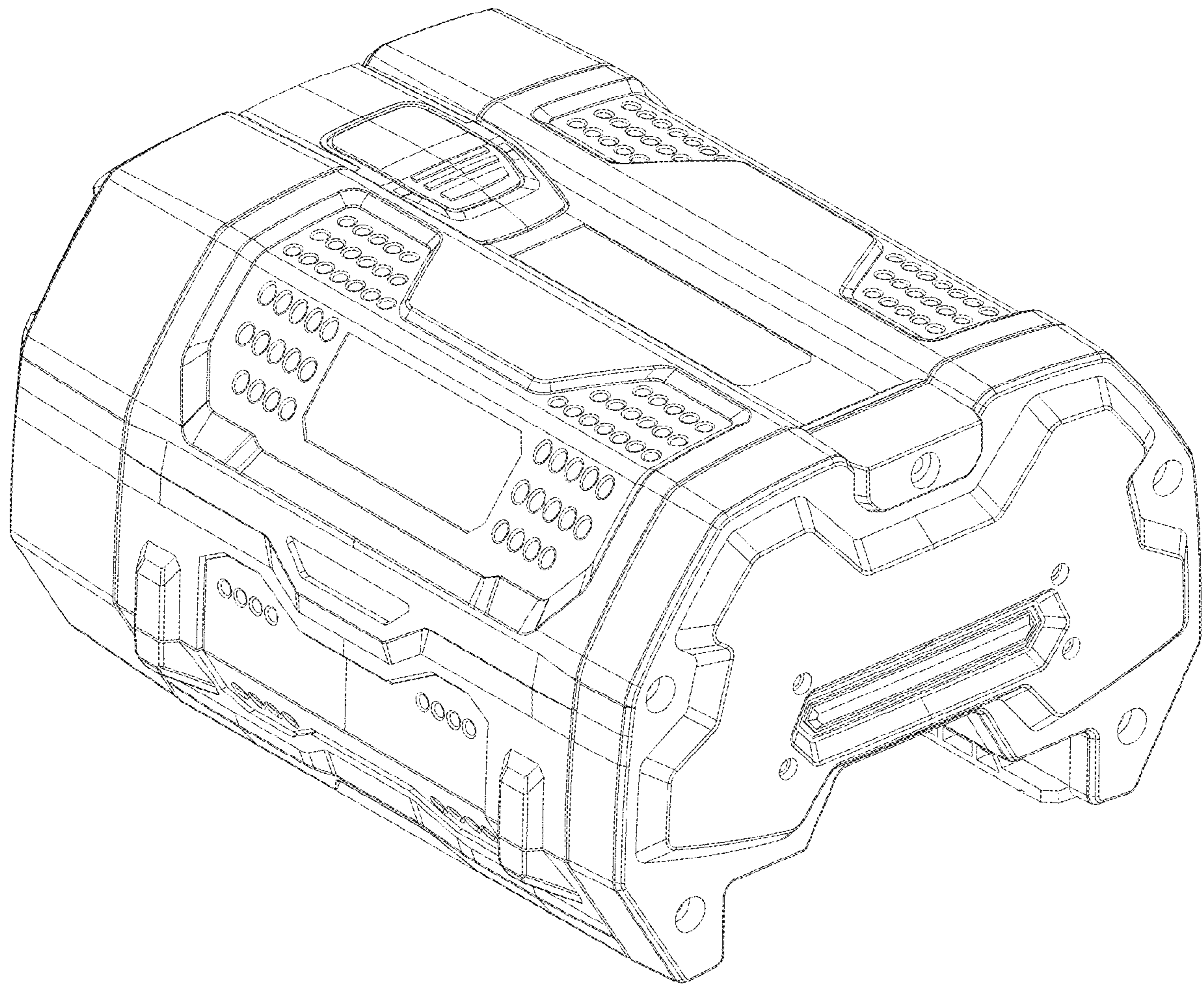


FIG.7

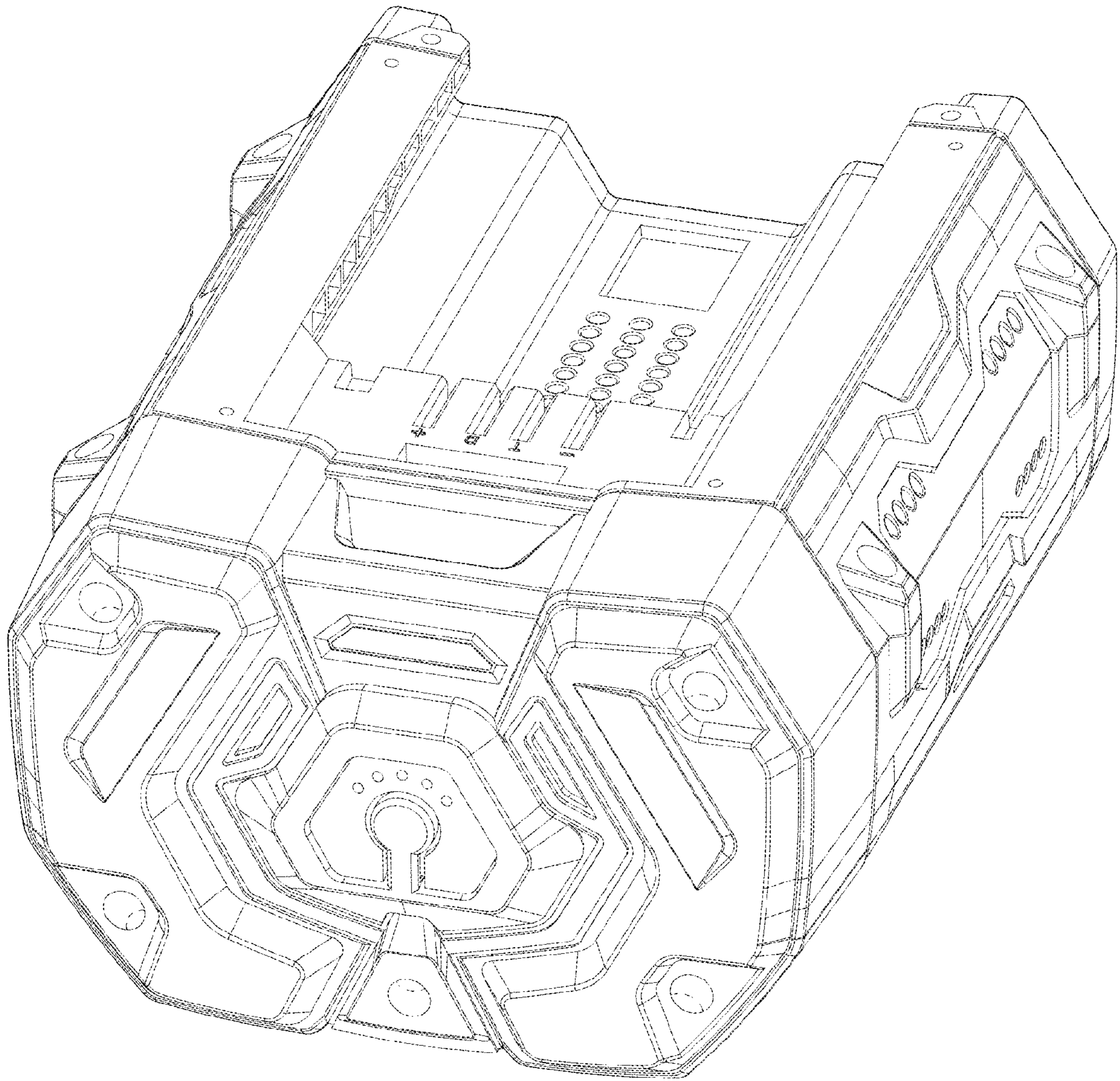


FIG.8