



US00D979487S

(12) **United States Design Patent**  
**Binder et al.**

(10) **Patent No.:** **US D979,487 S**

(45) **Date of Patent:** **\*\* Feb. 28, 2023**

(54) **TIRE**

(71) Applicant: **COOPER TIRE & RUBBER COMPANY**, Findlay, OH (US)

(72) Inventors: **Alexander K. Binder**, Findlay, OH (US); **Pingtian Li**, Findlay, OH (US)

(73) Assignee: **The Goodyear Tire & Rubber Company**, Akron, OH (US)

(\*\*) Term: **15 Years**

(21) Appl. No.: **29/766,323**

(22) Filed: **Jan. 14, 2021**

(51) **LOC (14) Cl.** ..... **12-15**

(52) **U.S. Cl.**  
USPC ..... **D12/600**

(58) **Field of Classification Search**  
USPC ..... D12/568-605, 900  
CPC ..... Y10T 152/10027; B60C 1/0016; B60C 11/0306; B60C 11/0302; B60C 3/06; B60C 9/17  
See application file for complete search history.

(56) **References Cited**

**U.S. PATENT DOCUMENTS**

D330,179 S	10/1992	Graas	
D441,327 S	5/2001	Graas	
D497,592 S	10/2004	Lassan et al.	
D558,135 S	12/2007	Miyasaka	
D579,023 S	10/2008	Komatsu et al.	
D592,128 S	5/2009	Lee	
D612,801 S	3/2010	Scheifele	
D624,489 S *	9/2010	Fujita	D12/600
D641,689 S *	7/2011	Lamb	D12/600
D648,266 S	11/2011	Lundgren et al.	
D657,733 S	4/2012	Regallis	
D661,247 S	6/2012	Sareen	

(Continued)

Primary Examiner — John A Voytek

(74) *Attorney, Agent, or Firm* — June E. Rickey

(57) **CLAIM**

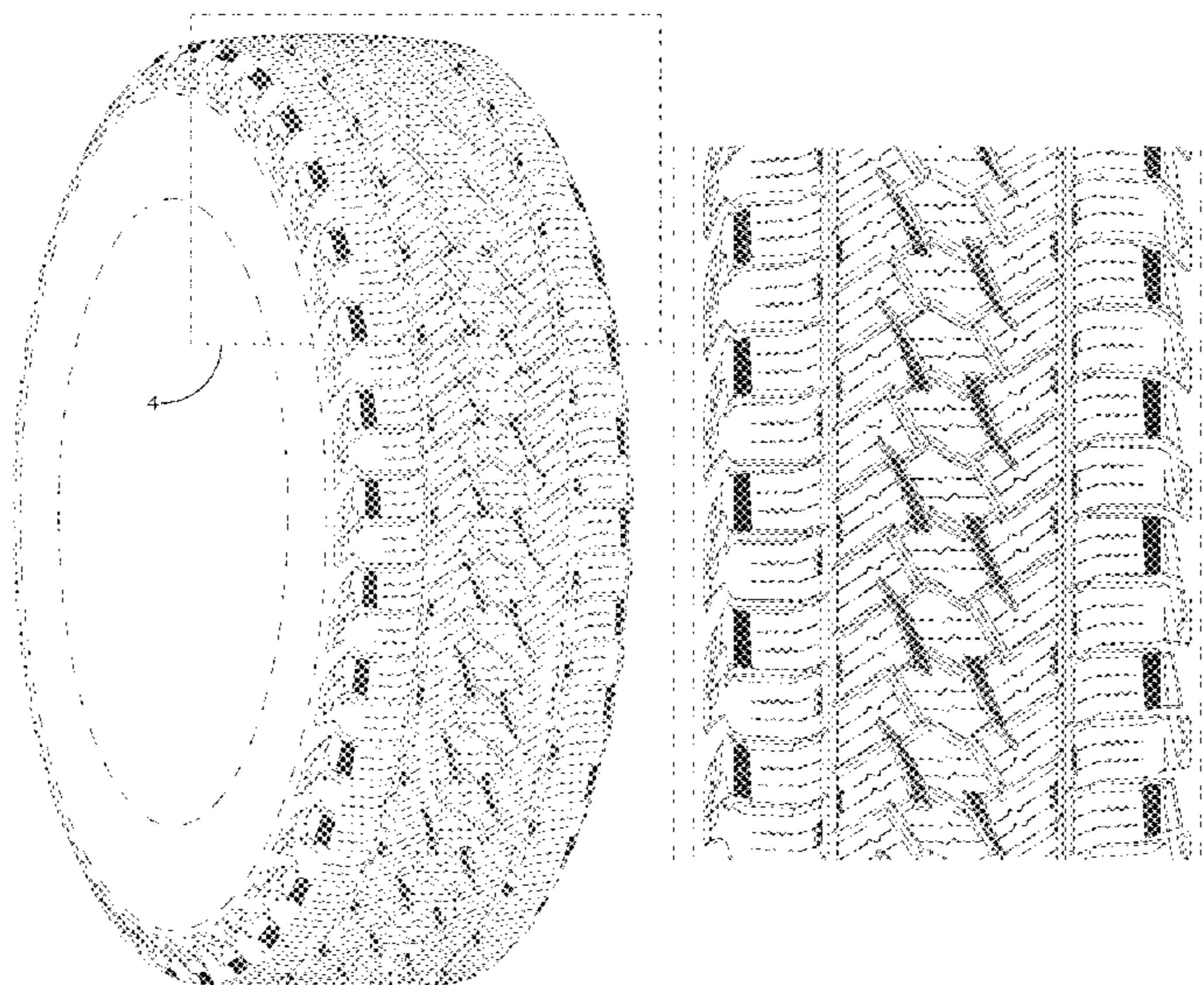
The ornamental design for a tire, as shown and described.

**DESCRIPTION**

FIG. 1 is a perspective view of a tire taken from the front and a first side thereof;  
 FIG. 2 is a front view thereof;  
 FIG. 3 is a first side view thereof;  
 FIG. 4 is an enlarged, partial perspective view taken from the front and the first side thereof along Line 4 of FIG. 1;  
 FIG. 5 is a further enlarged, partial perspective view taken from the front and the first side thereof along Line 5 of FIG. 4;  
 FIG. 6 is an enlarged, partial front view thereof taken along Line 6-6 of FIG. 2;  
 FIG. 7 is an enlarged, partial first side view thereof taken along Line 7 of FIG. 3;  
 FIG. 8 is a perspective view of the tire taken from the front and a second side thereof;  
 FIG. 9 is a second side view thereof;  
 FIG. 10 is an enlarged, partial perspective view taken from the front and the second side thereof along Line 10 of FIG. 8; and,  
 FIG. 11 is an enlarged, partial second side view thereof taken along Line 11 of FIG. 9.

The broken lines and the sidewall region between the broken lines that define the inner bead and the sidewall depict subject matter that forms no part of the claimed tire design and are included for the purpose of illustrating the full tire. Likewise, the tire interior forms no part of the claim. The tread pattern is understood to repeat throughout the circumference of the tire, and the top and bottom views are the same as the front view based on the repeating nature of the tread design pattern.  
 The dashed broken lines indicating an enlargement portion of the design form no part of the claimed design.

**1 Claim, 11 Drawing Sheets**



(56)

**References Cited**

## U.S. PATENT DOCUMENTS

D694,174 S	11/2013	Kuniak	
D728,461 S	5/2015	Lamb	
D729,155 S *	5/2015	Jacobs .....	D12/600
D732,467 S *	6/2015	Schimmoeller .....	D12/600
D734,712 S	7/2015	Kuwano et al.	
D737,197 S	8/2015	Wang et al.	
D744,412 S	12/2015	Schimmoeller	
D761,193 S	7/2016	Schimmoeller et al.	
D773,980 S	12/2016	Takahashi	
D779,419 S	2/2017	Lo	
D795,796 S	8/2017	Johnson	
D797,037 S	9/2017	Lo	
D808,895 S	1/2018	Kreitzman et al.	
D832,188 S	10/2018	Kochanek	
D851,577 S	6/2019	Geng et al.	
D851,580 S	6/2019	Sakamoto et al.	
10,301,081 B2	6/2019	Jacobs et al.	
D862,574 S	10/2019	Kristen et al.	
D864,849 S *	10/2019	Liu .....	D12/600
D866,451 S	11/2019	Kuwano	
D871,314 S	12/2019	Geng et al.	
D879,020 S	3/2020	Sato et al.	
D879,021 S	3/2020	Bonifas	
D879,025 S *	3/2020	Kochanek .....	D12/600
D894,821 S *	9/2020	Petr .....	D12/594
D930,567 S *	9/2021	Wu .....	D12/600

\* cited by examiner



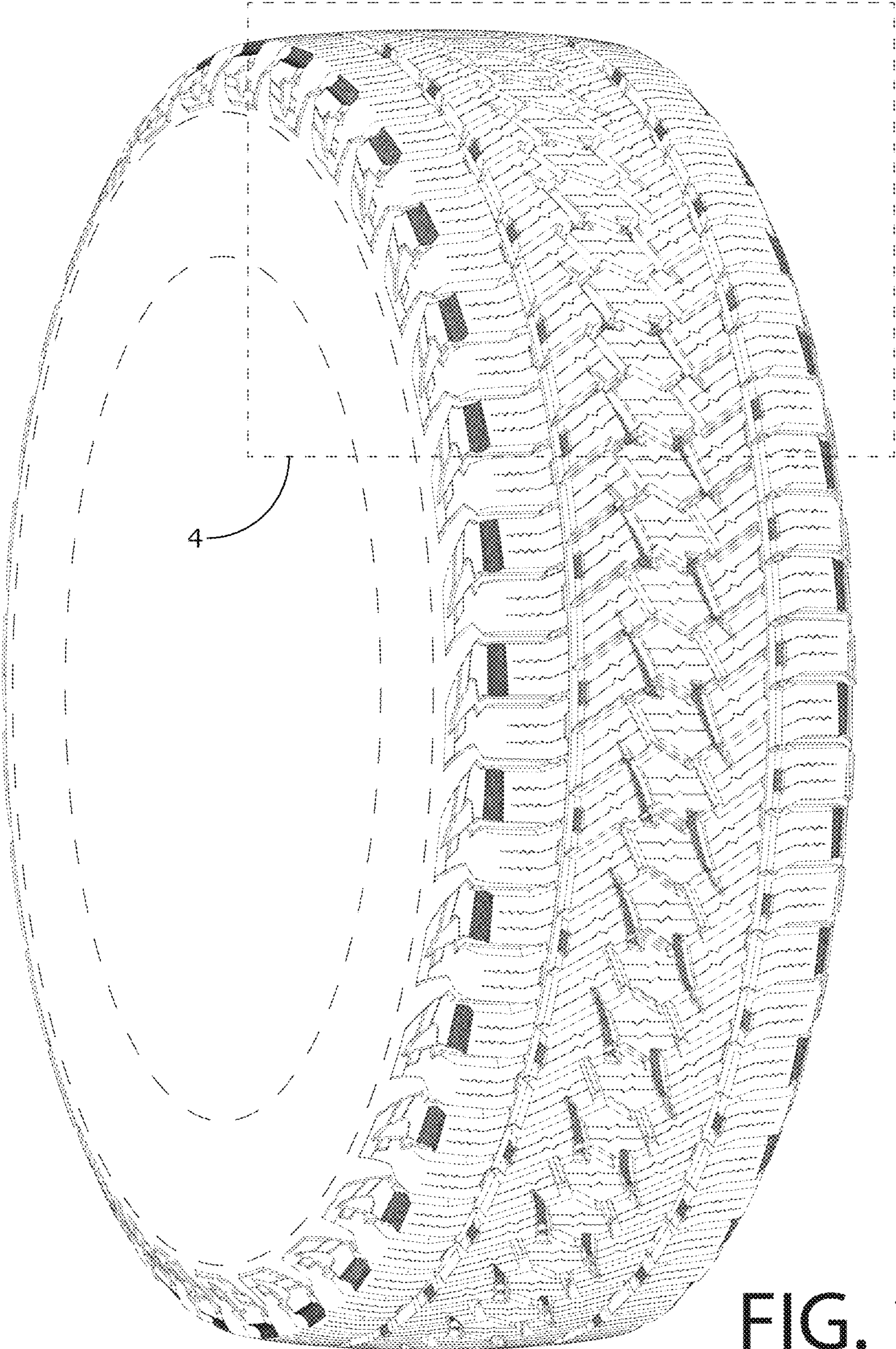


FIG. 1



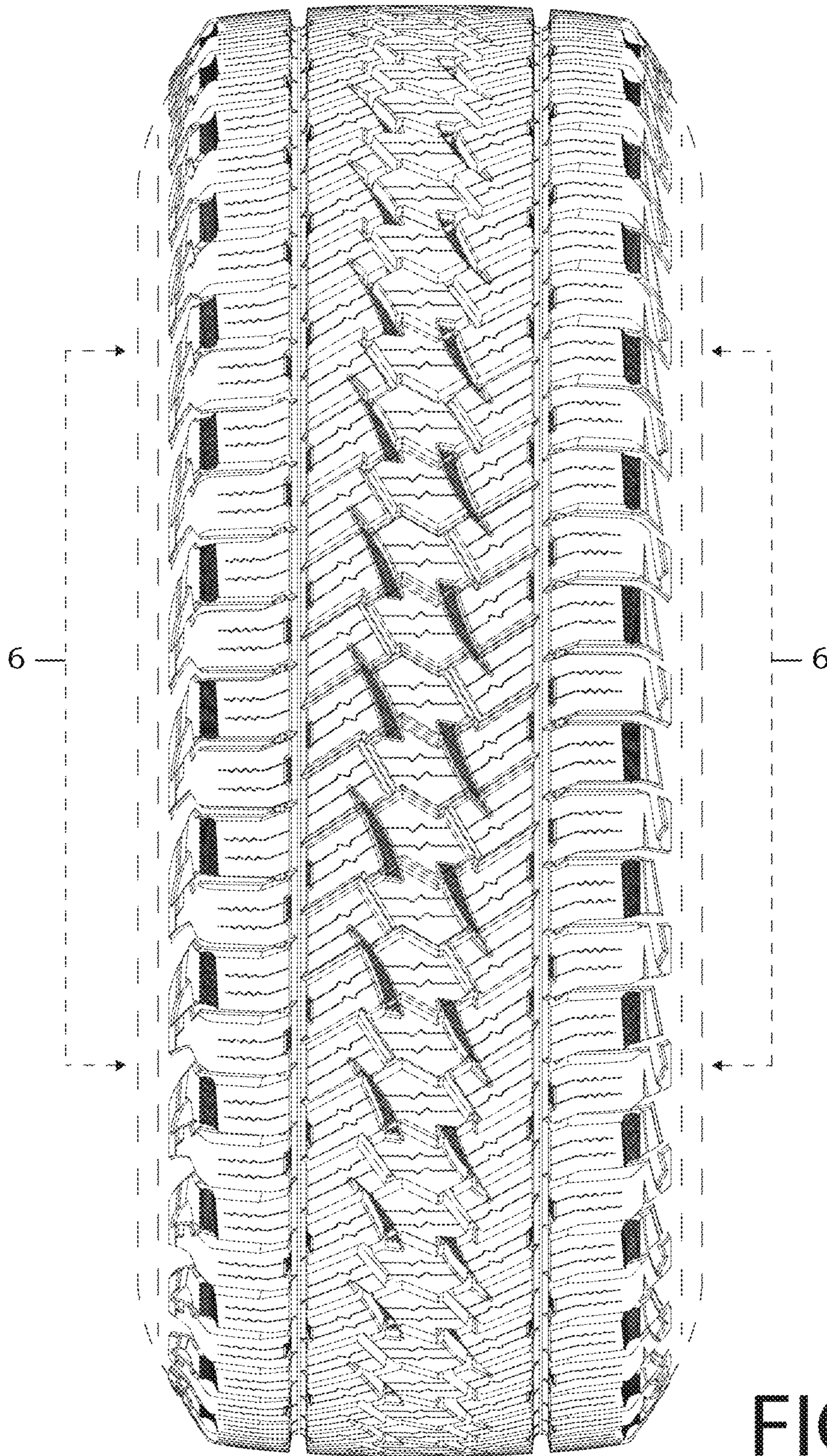


FIG. 2



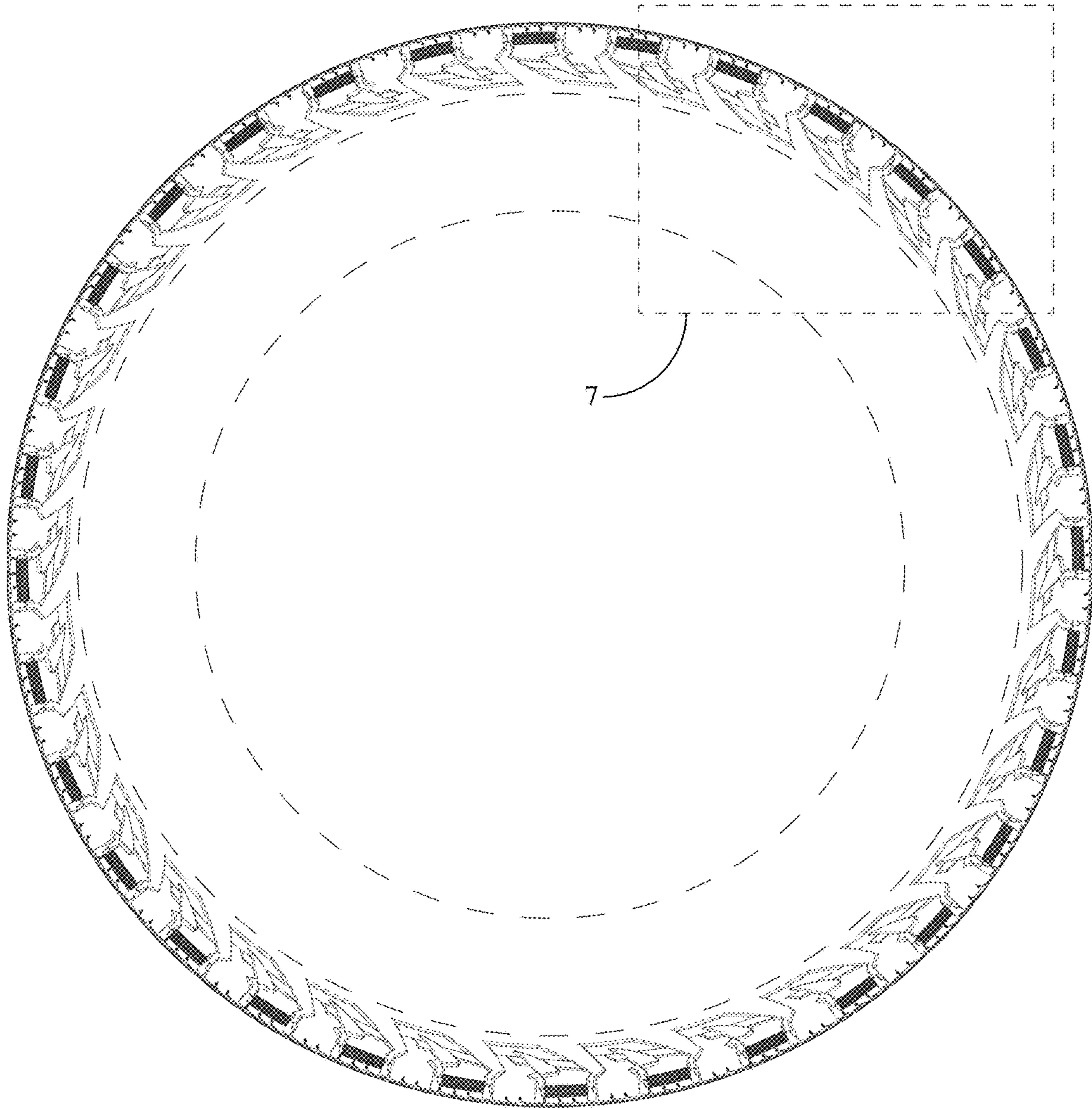


FIG. 3

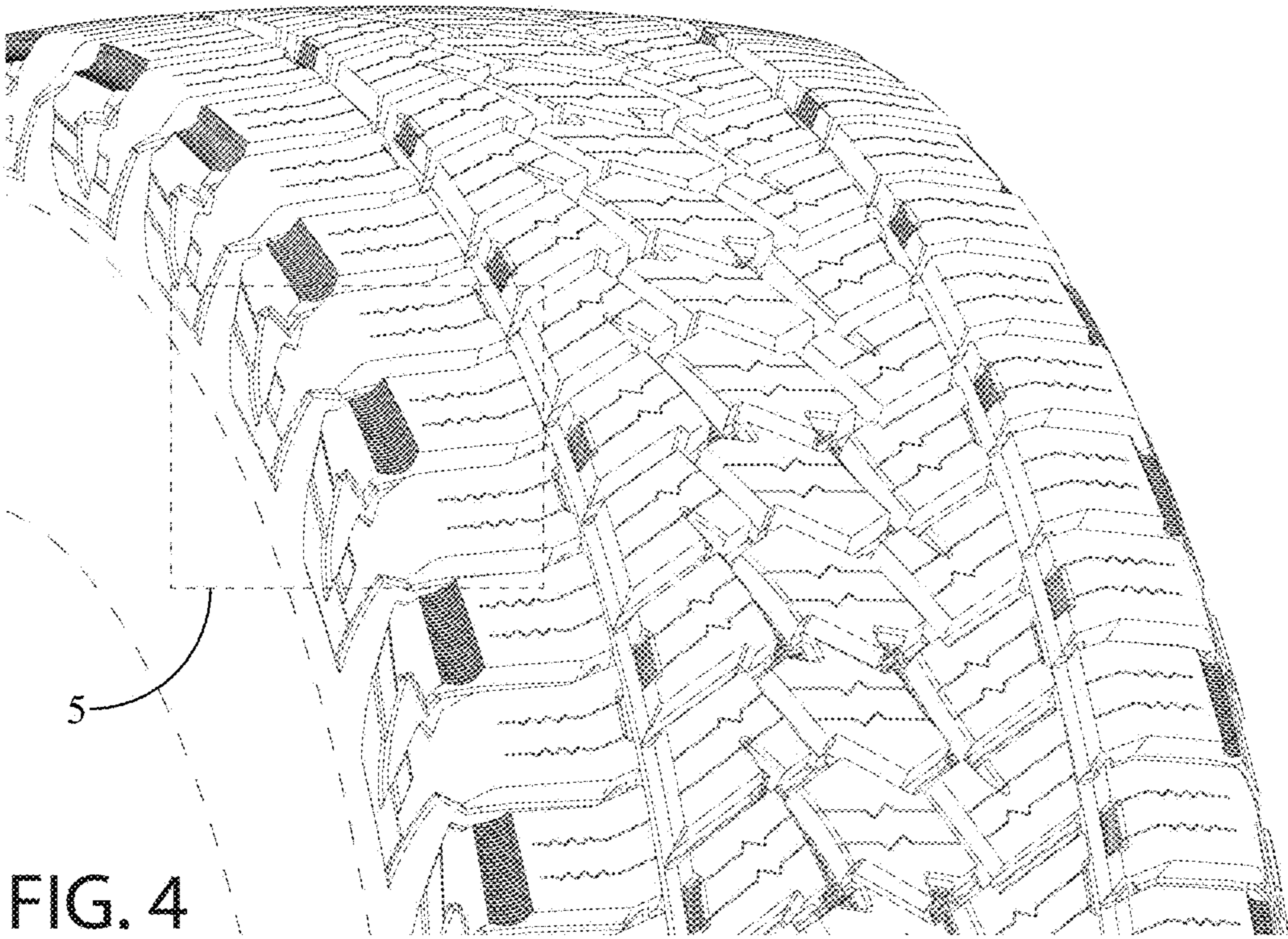


FIG. 4



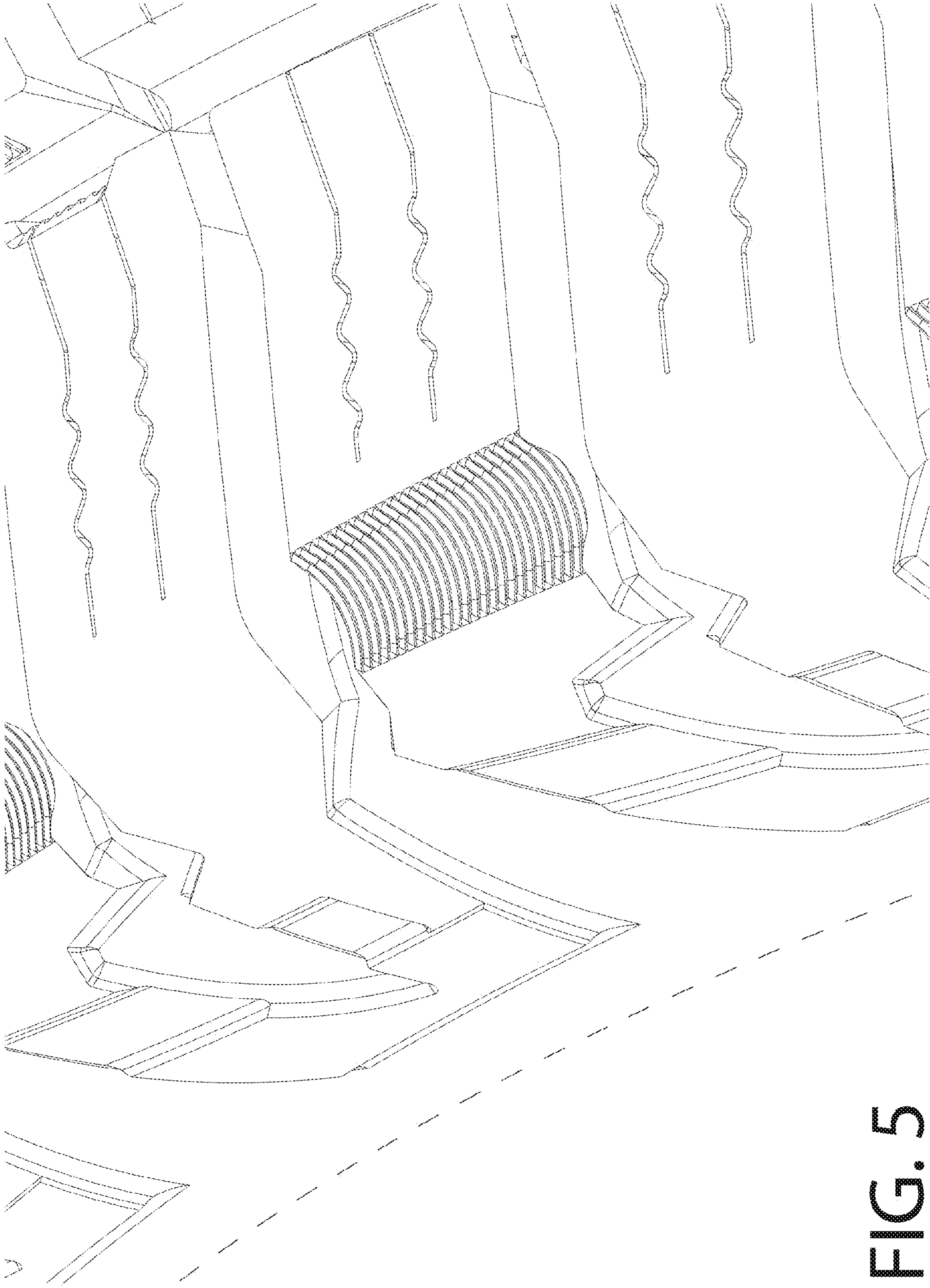


FIG. 5

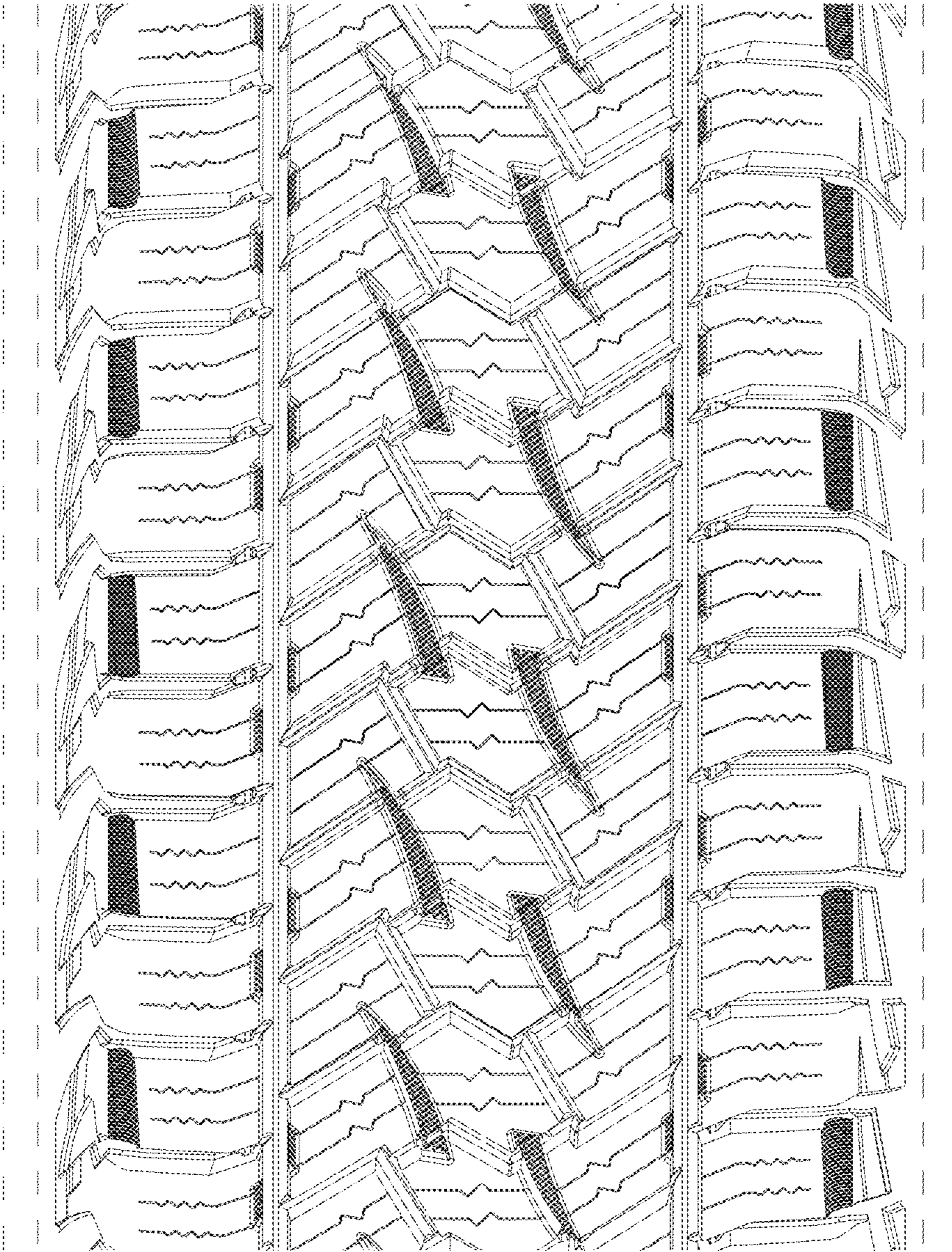


FIG. 6



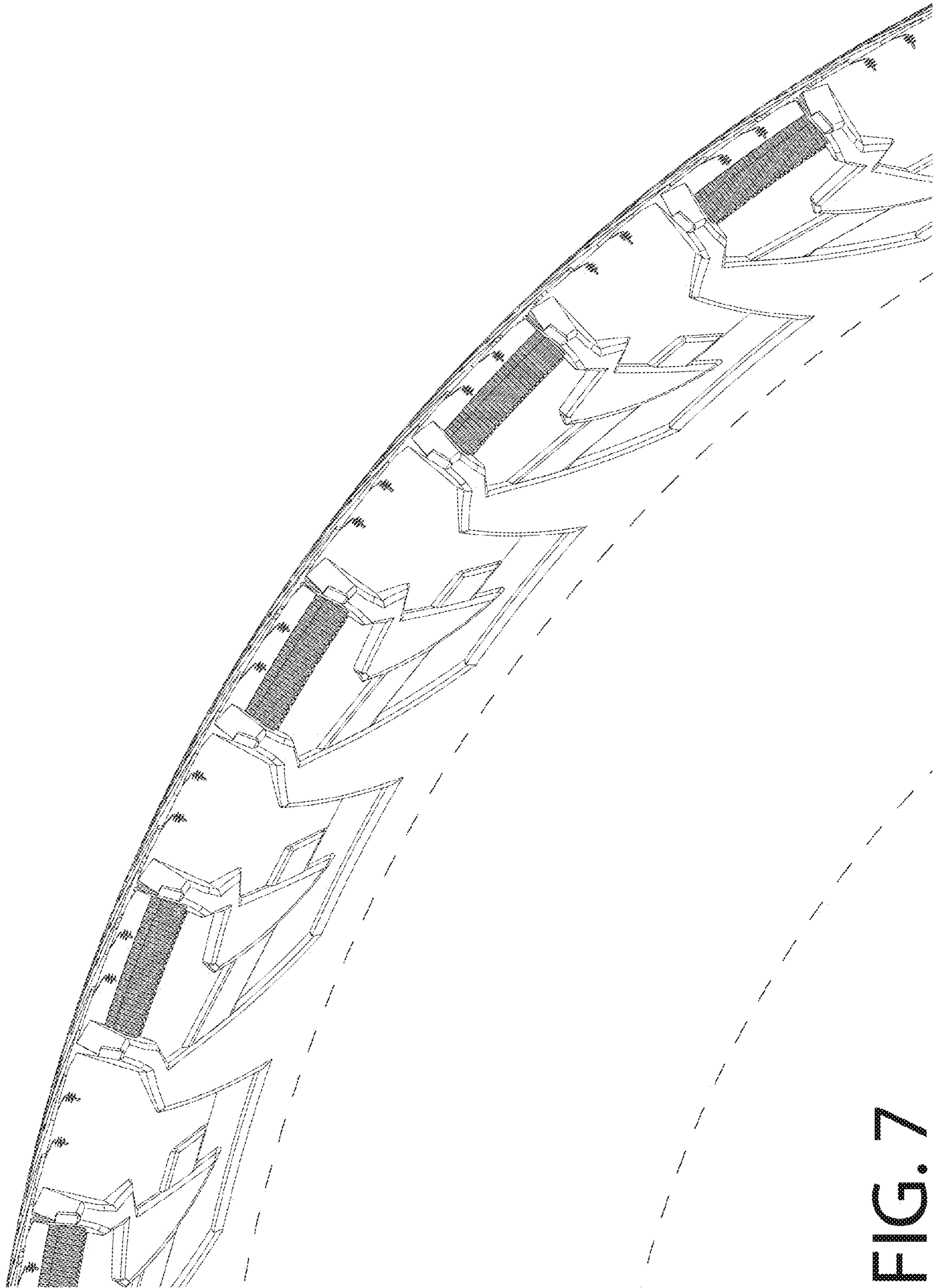


FIG. 7



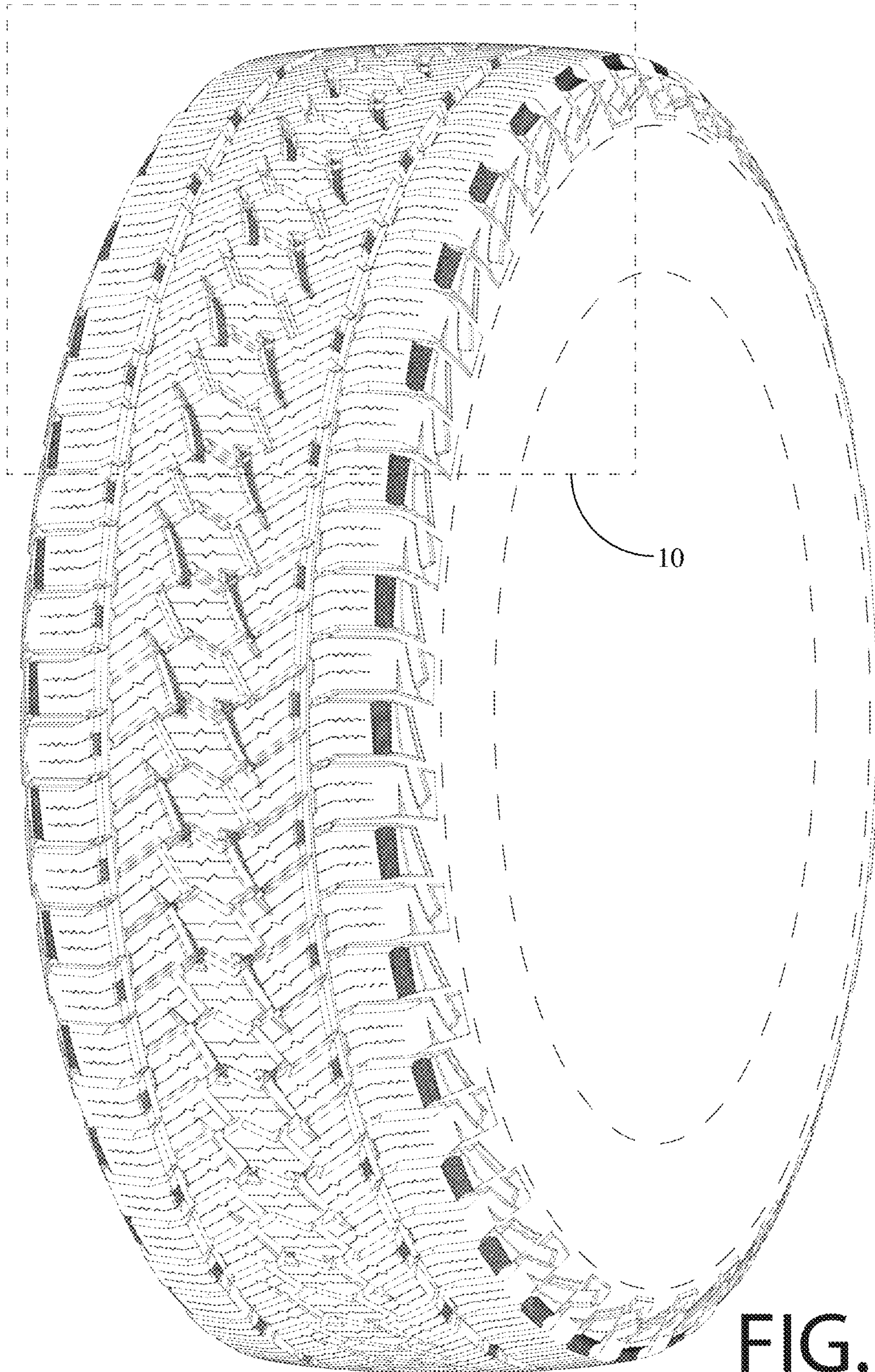


FIG. 8



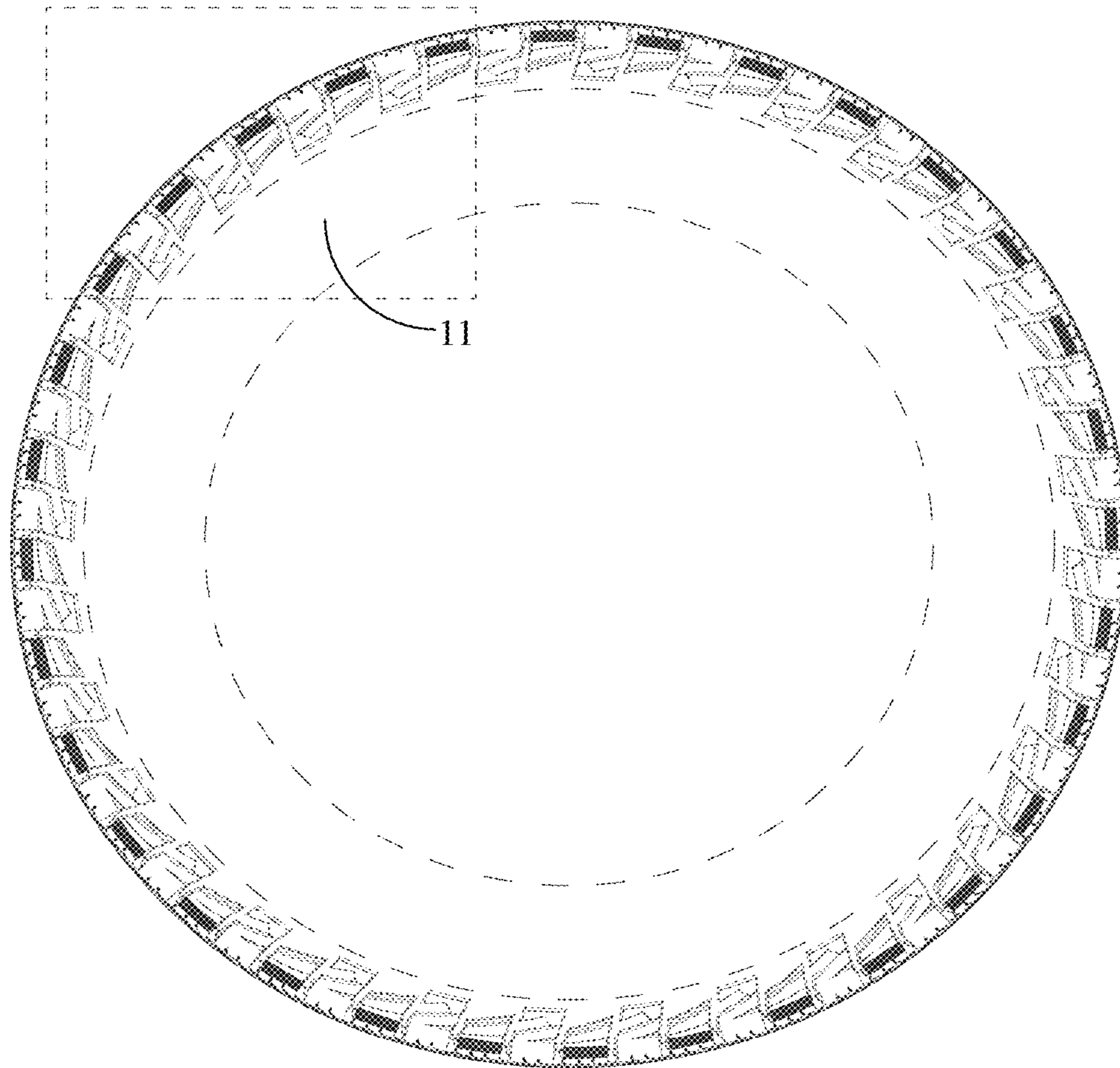


FIG. 9

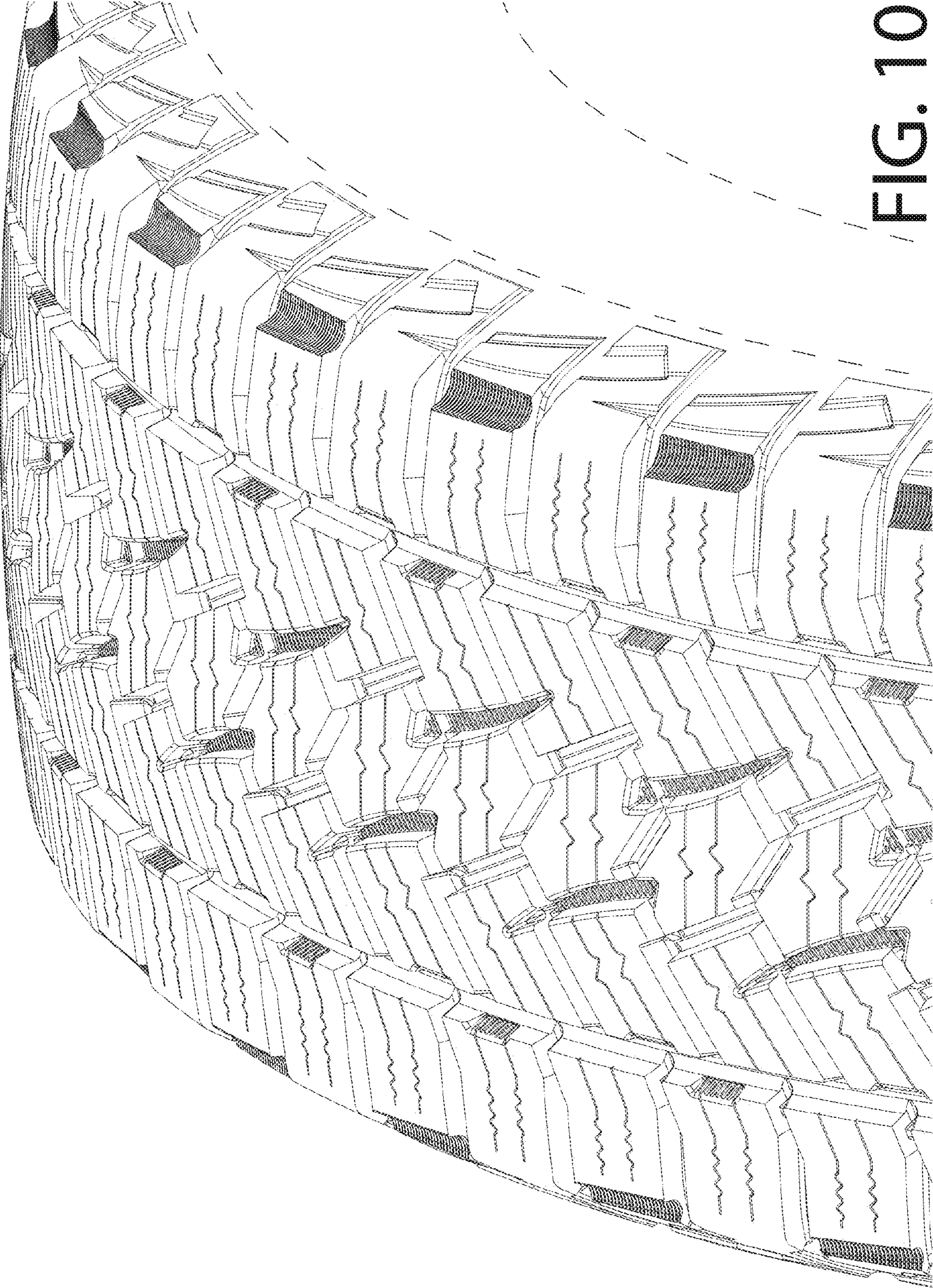


FIG. 10



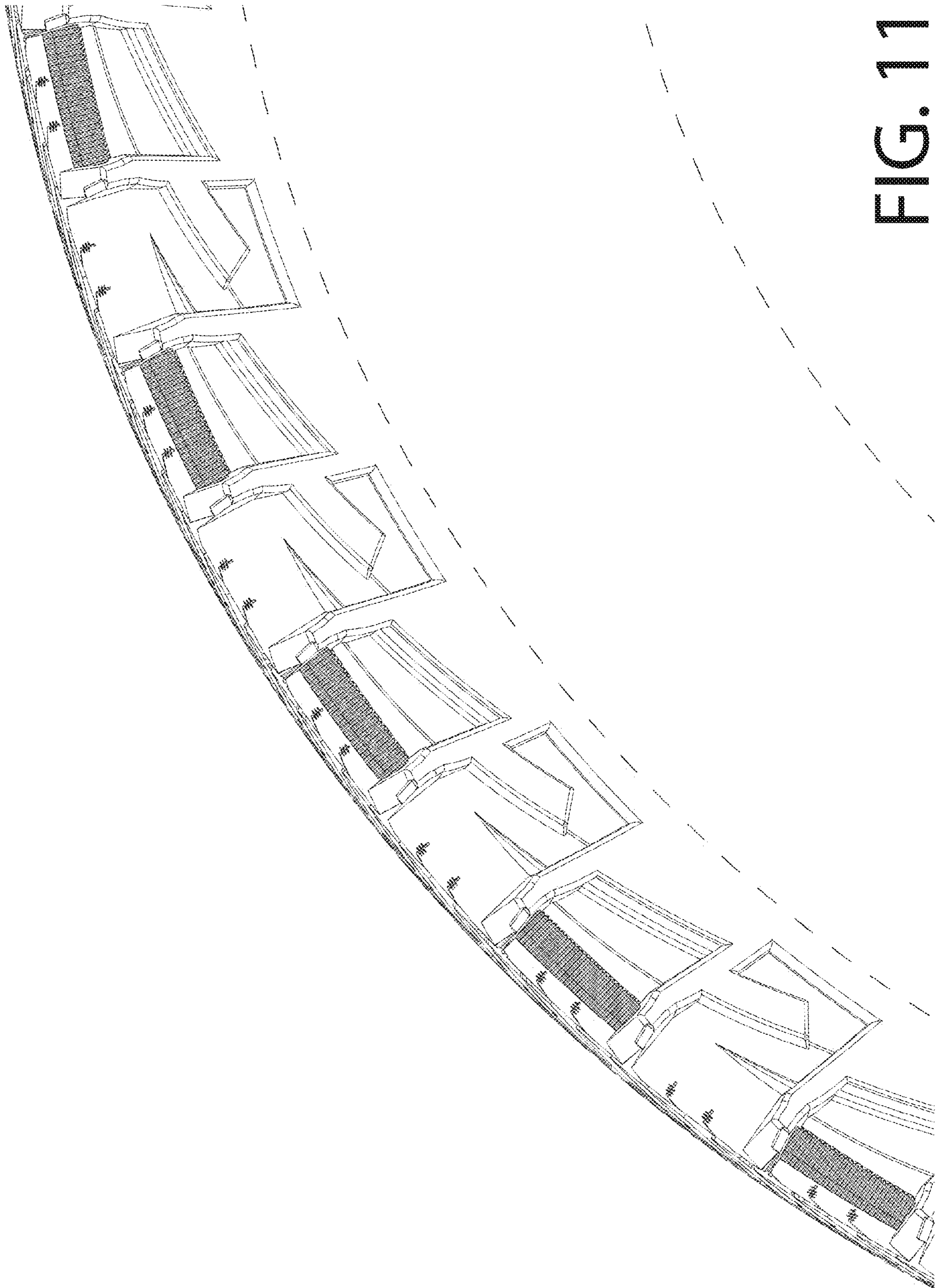


FIG. 11