



US00D979486S

(12) **United States Design Patent**
Tikka et al.

(10) **Patent No.:** **US D979,486 S**

(45) **Date of Patent:** **** Feb. 28, 2023**

(54) **TYRE**

(71) Applicant: **Nokian Tyres plc**, Nokia (FI)

(72) Inventors: **Jorma Tikka**, Tampere (FI); **Slava Bukarev**, Tampere (FI); **Outi Husso**, Sastamala (FI)

(73) Assignee: **NOKIAN TYRES PLC**, Nokia (FI)

(**) Term: **15 Years**

(21) Appl. No.: **29/762,941**

(22) Filed: **Dec. 18, 2020**

(30) **Foreign Application Priority Data**

Jun. 23, 2020 (EM) 008018790-0001

(51) **LOC (14) Cl.** **12-15**

(52) **U.S. Cl.**
USPC **D12/584**

(58) **Field of Classification Search**
USPC D12/568-605, 900
CPC Y10T 152/10027; B60C 1/0016; B60C 11/0306; B60C 11/0302; B60C 3/06; B60C 9/17
See application file for complete search history.

(56) **References Cited**

U.S. PATENT DOCUMENTS

D510,064 S * 9/2005 Hildebrand D12/584
D641,685 S * 7/2011 Youn D12/584

D734,245 S * 7/2015 Parr D12/584
D741,252 S * 10/2015 Wakishima D12/584
D750,014 S * 2/2016 Yang D12/584
D764,391 S * 8/2016 Shen D12/584
D780,099 S * 2/2017 Parr D12/584
D794,548 S * 8/2017 Hayashi D12/584
D813,794 S * 3/2018 Tanaka D12/584
D871,316 S * 12/2019 Yasunaga D12/583
D886,034 S * 6/2020 Pribula D12/584
D894,106 S * 8/2020 Takahashi D12/584

* cited by examiner

Primary Examiner — John A Voytek

(74) *Attorney, Agent, or Firm* — Nixon & Vanderhye PC

(57) **CLAIM**

The ornamental design for a tyre, as shown and described.

DESCRIPTION

FIG. 1 is a perspective view of a tyre in accordance with our new design;
FIG. 2 is a right side view thereof;
FIG. 3 is a left side view thereof; and,
FIG. 4 is a front elevation view thereof.
The part of the drawings shown with a reduced tonal value, along with the broken-line perimeter, illustrates portions the tyre that form no part of the claimed design.

1 Claim, 4 Drawing Sheets





FIG. 1

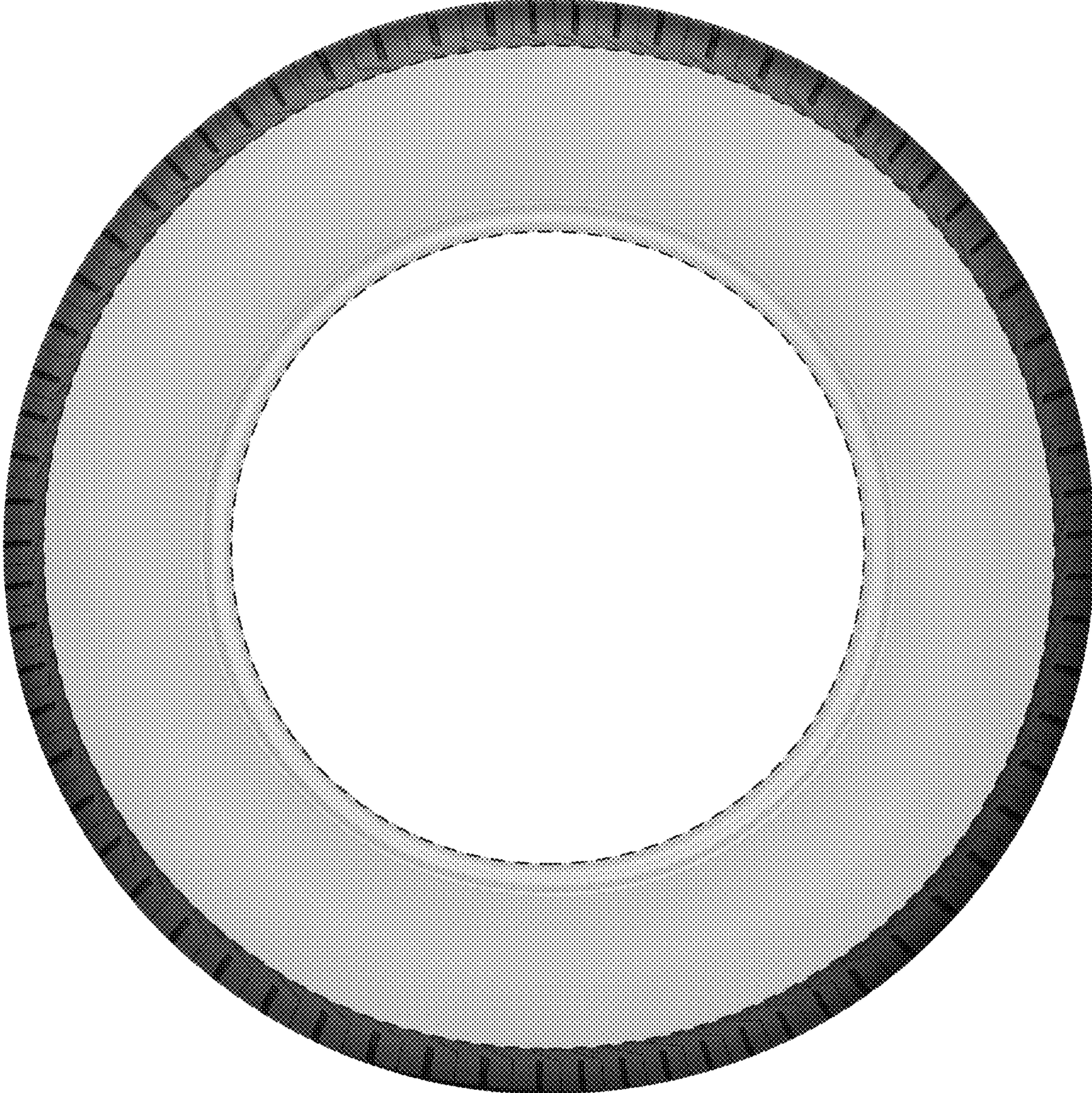


FIG. 2

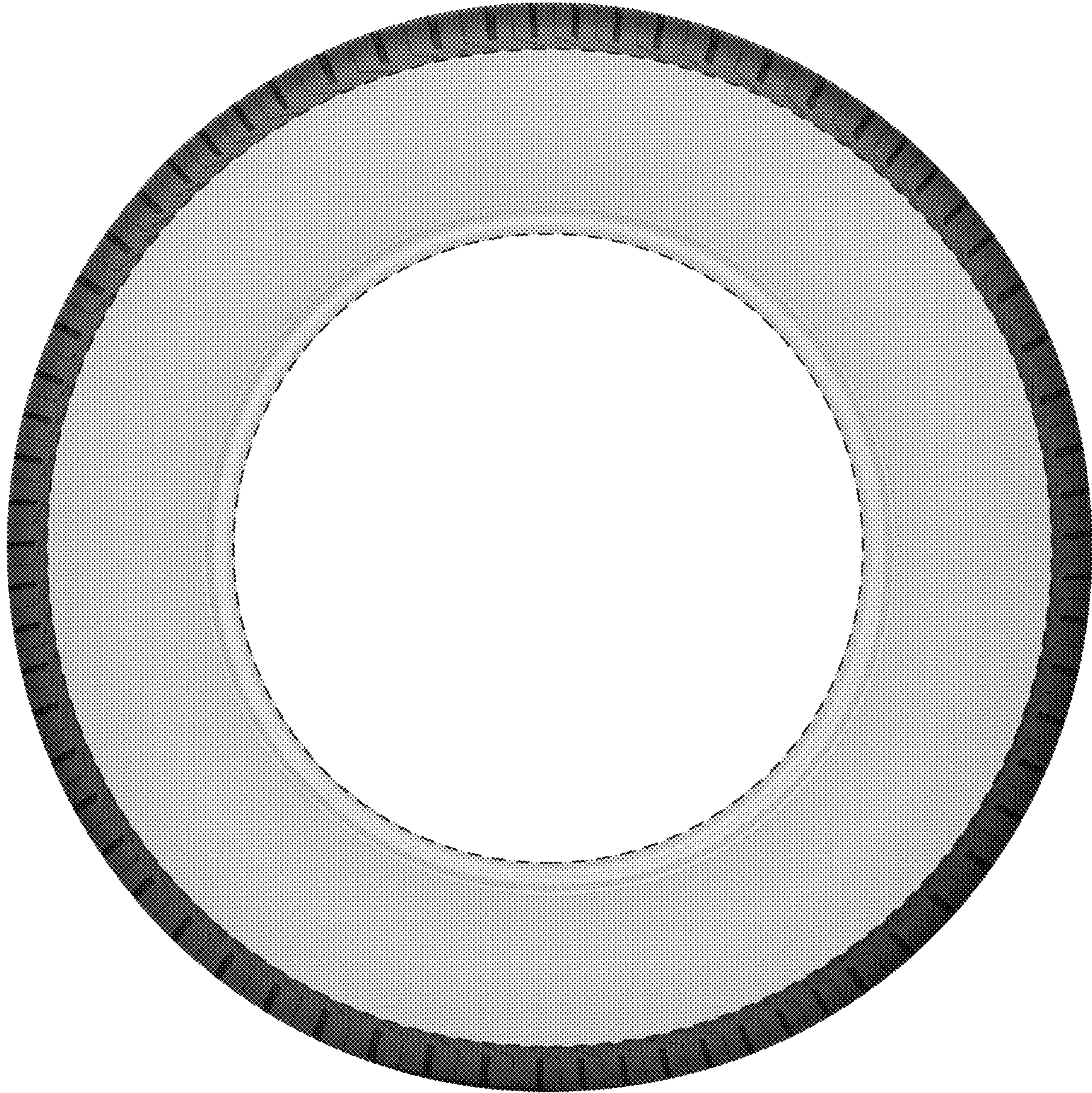


FIG. 3



FIG. 4