



US00D979485S

(12) **United States Design Patent**  
**Liu**

(10) **Patent No.:** **US D979,485 S**

(45) **Date of Patent:** **\*\* Feb. 28, 2023**

(54) **VEHICLE STORAGE BOX**

(71) Applicant: **Sanyuan Liu**, Shenzhen (CN)

(72) Inventor: **Sanyuan Liu**, Shenzhen (CN)

(\*\*) Term: **15 Years**

(21) Appl. No.: **29/797,276**

(22) Filed: **Jun. 30, 2021**

(51) **LOC (14) Cl.** ..... **12-16**

(52) **U.S. Cl.**  
USPC ..... **D12/425**

(58) **Field of Classification Search**  
USPC ..... D12/400, 406, 415-420, 424-426  
CPC ..... B63B 17/00; B63B 7/085; B63B 25/00  
See application file for complete search history.

(56) **References Cited**

U.S. PATENT DOCUMENTS

D916,647 S *	4/2021	Chen	.....	D12/425
D922,935 S *	6/2021	Guo	.....	D12/425
D932,420 S *	10/2021	Bruni	.....	D12/425
D943,496 S *	2/2022	Brumby	.....	D12/425
D946,493 S *	3/2022	Huang	.....	D12/425
D953,967 S *	6/2022	Liu	.....	D12/425
D955,323 S *	6/2022	Reid	.....	D12/425
D959,356 S *	8/2022	Chen	.....	D12/425

D963,549 S *	9/2022	Li	.....	D12/425
D963,550 S *	9/2022	Pan	.....	D12/425
D964,258 S *	9/2022	Tian	.....	D12/425
D964,259 S *	9/2022	Tian	.....	D12/425
D964,913 S *	9/2022	Yang	.....	D12/425
D964,914 S *	9/2022	Wei	.....	D12/425
D965,507 S *	10/2022	Li	.....	D12/425

\* cited by examiner

*Primary Examiner* — Susan E Krakower

*Assistant Examiner* — Jerry Shiu-an-Hua Hsu

(57) **CLAIM**

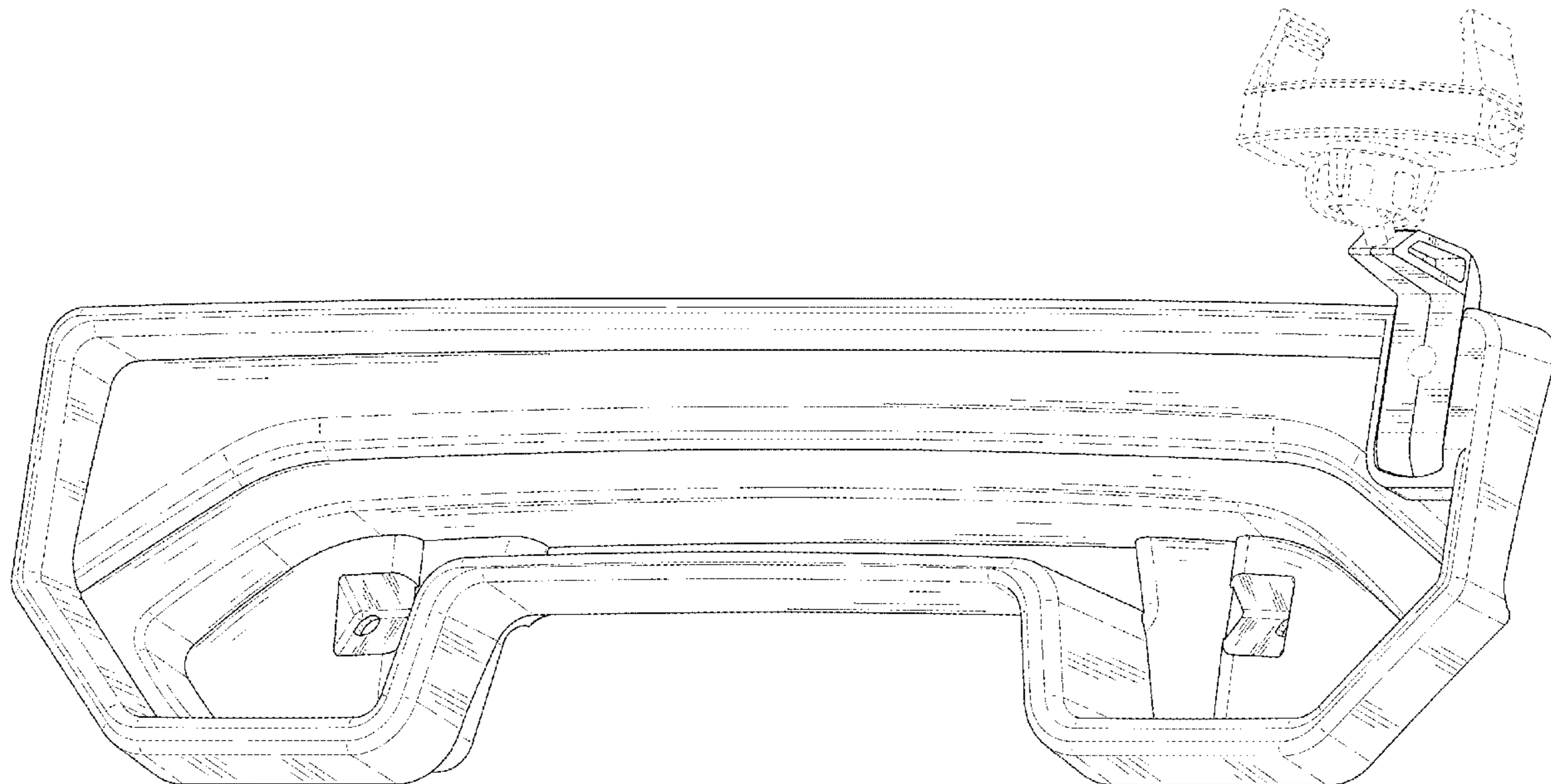
The ornamental design for a vehicle storage box, as shown and described.

**DESCRIPTION**

FIG. 1 is a front, right perspective view of a vehicle storage box showing my new design;  
FIG. 2 is a rear, left perspective view thereof;  
FIG. 3 is a front elevational view thereof;  
FIG. 4 is a rear elevational view thereof;  
FIG. 5 is a left side elevational view thereof;  
FIG. 6 is a right side elevational view thereof;  
FIG. 7 is a top plan view thereof; and,  
FIG. 8 is a bottom plan view thereof.

The broken lines in the drawings depict portions of the vehicle storage box that form no part of the claimed design.

**1 Claim, 8 Drawing Sheets**



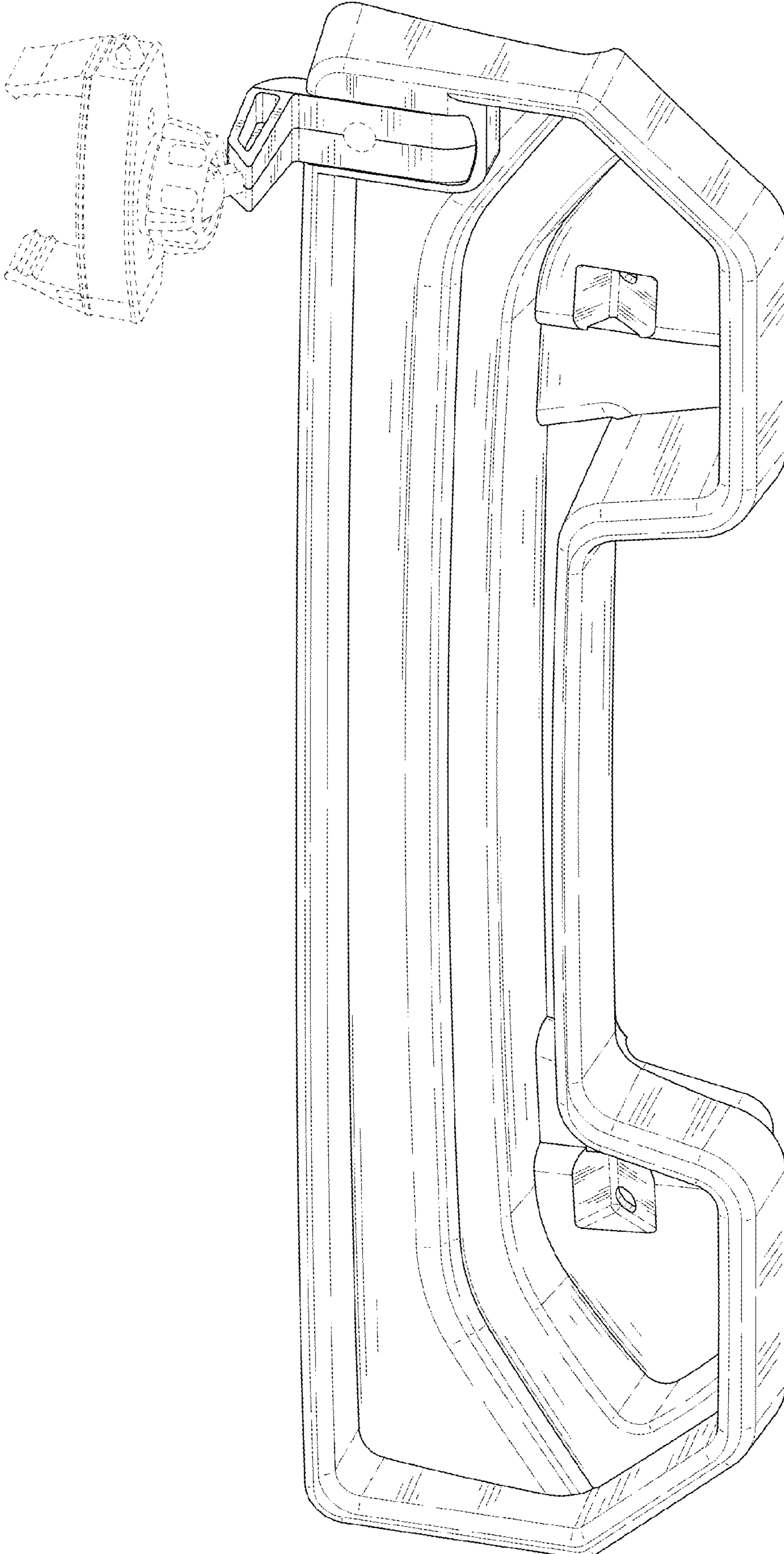


FIG. 1

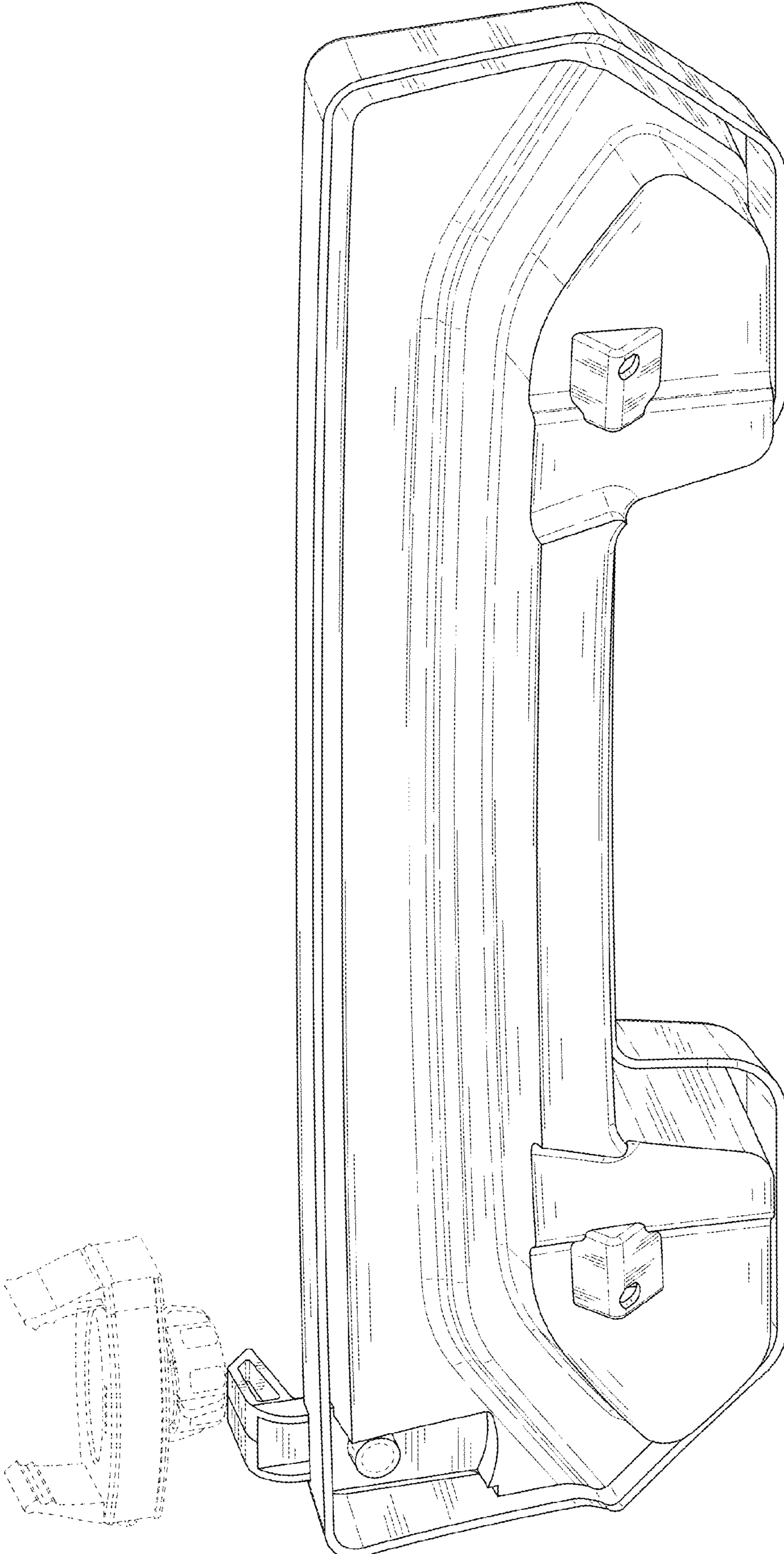


FIG. 2

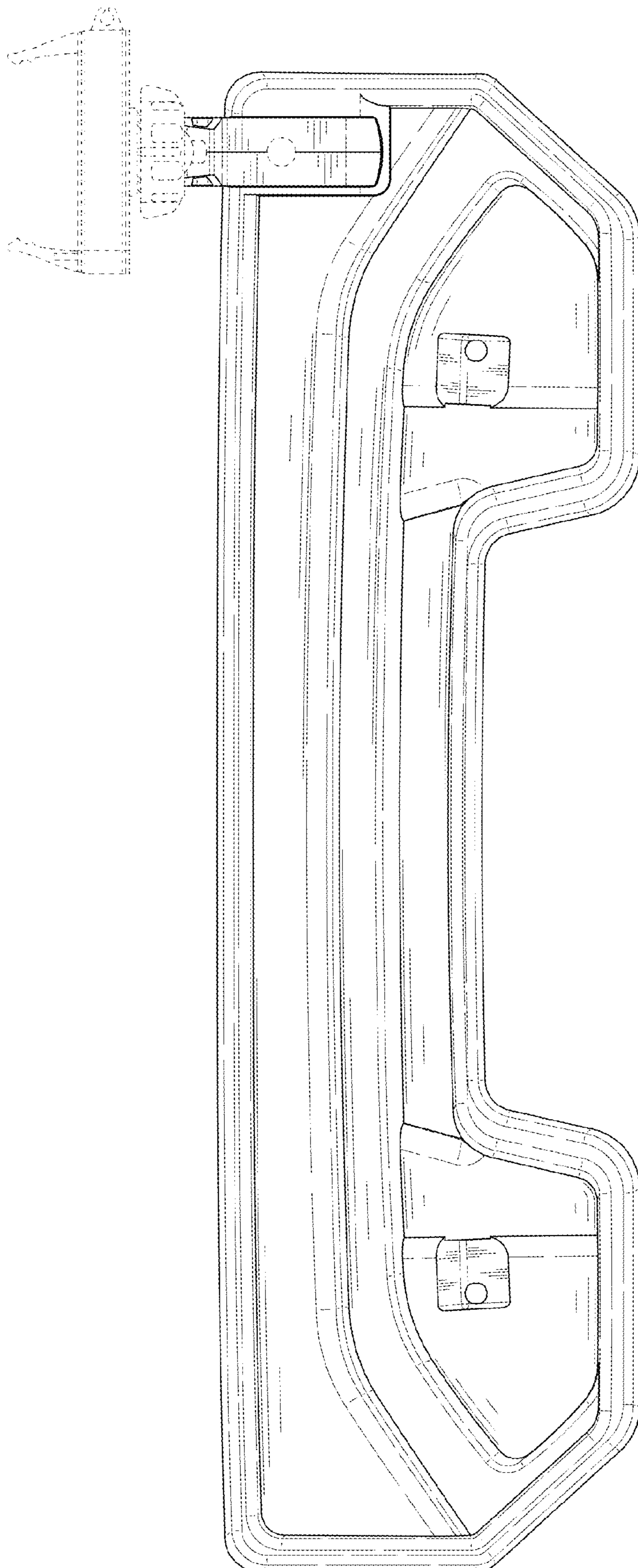


FIG. 3

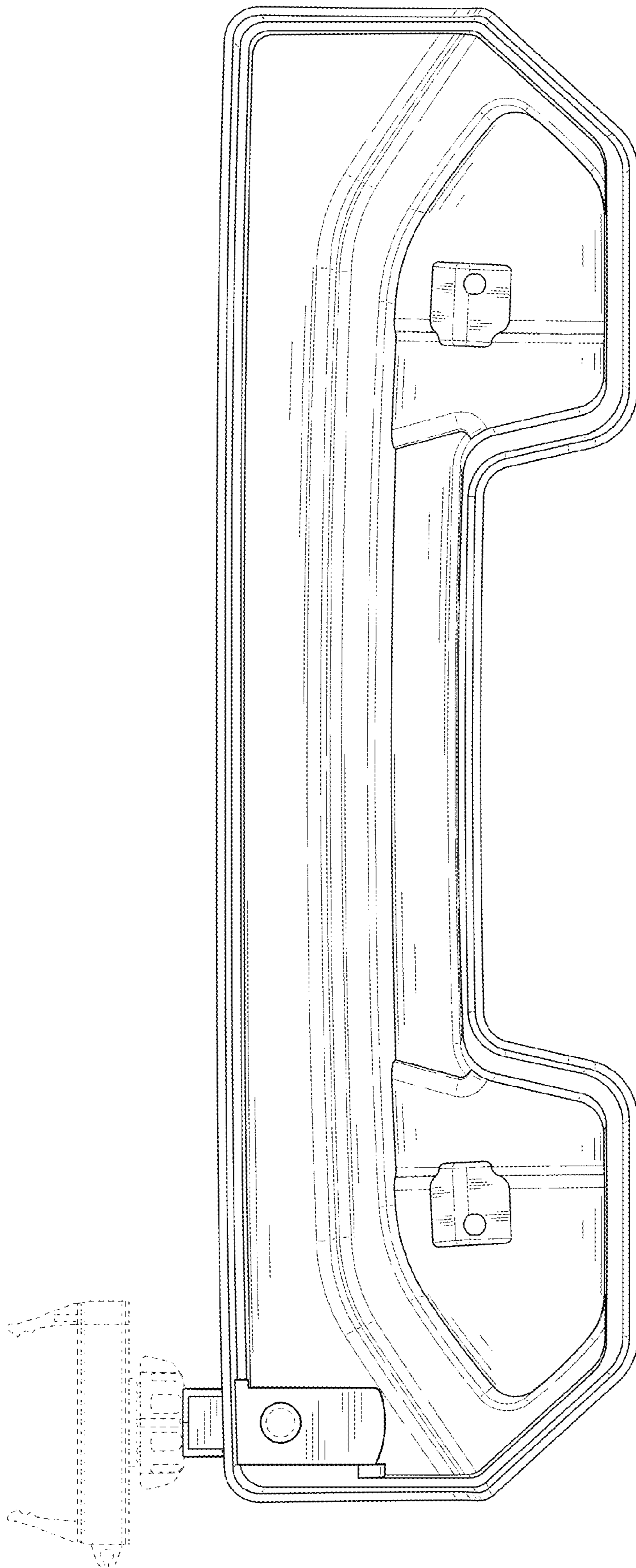


FIG. 4

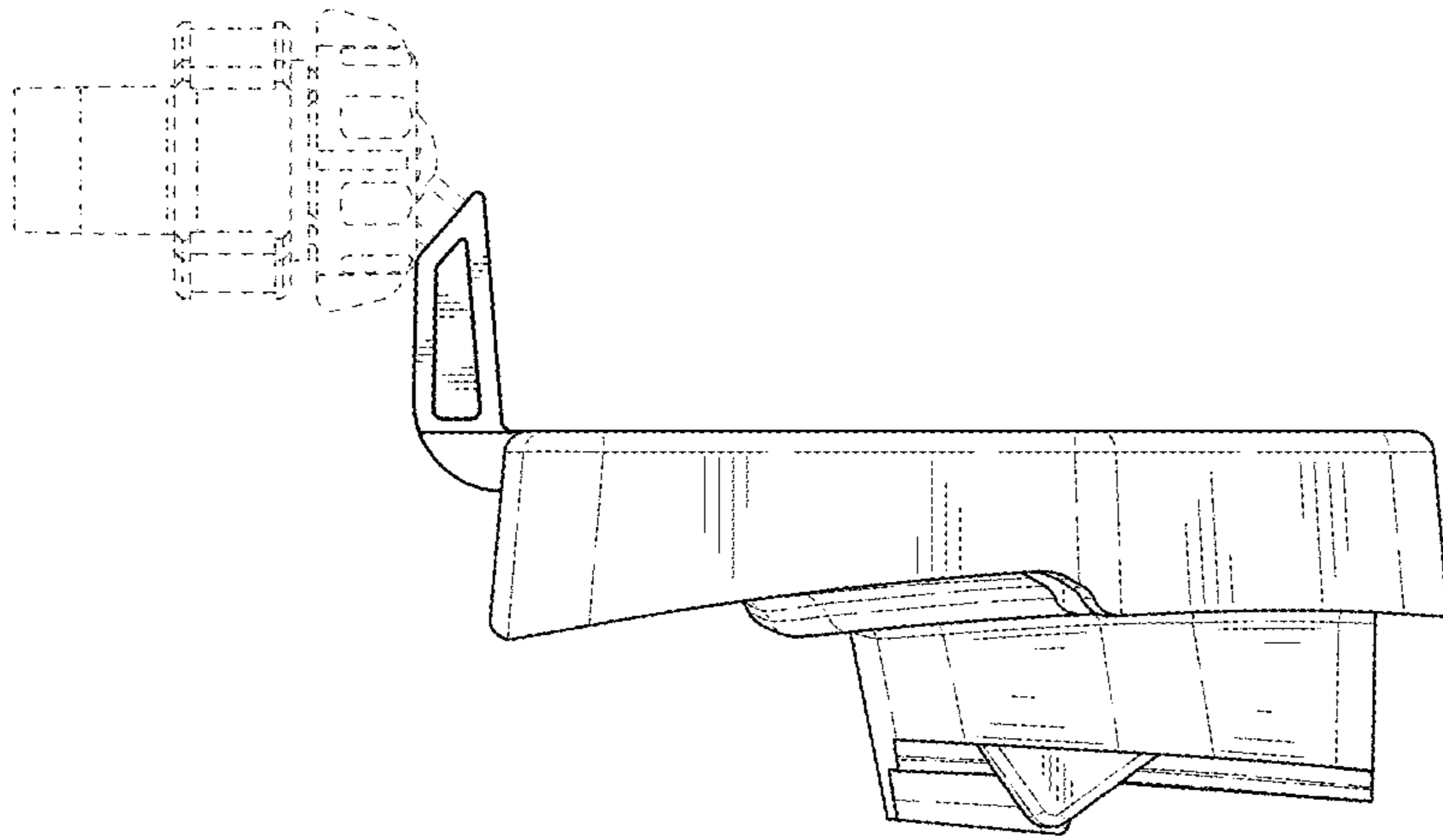


FIG. 5

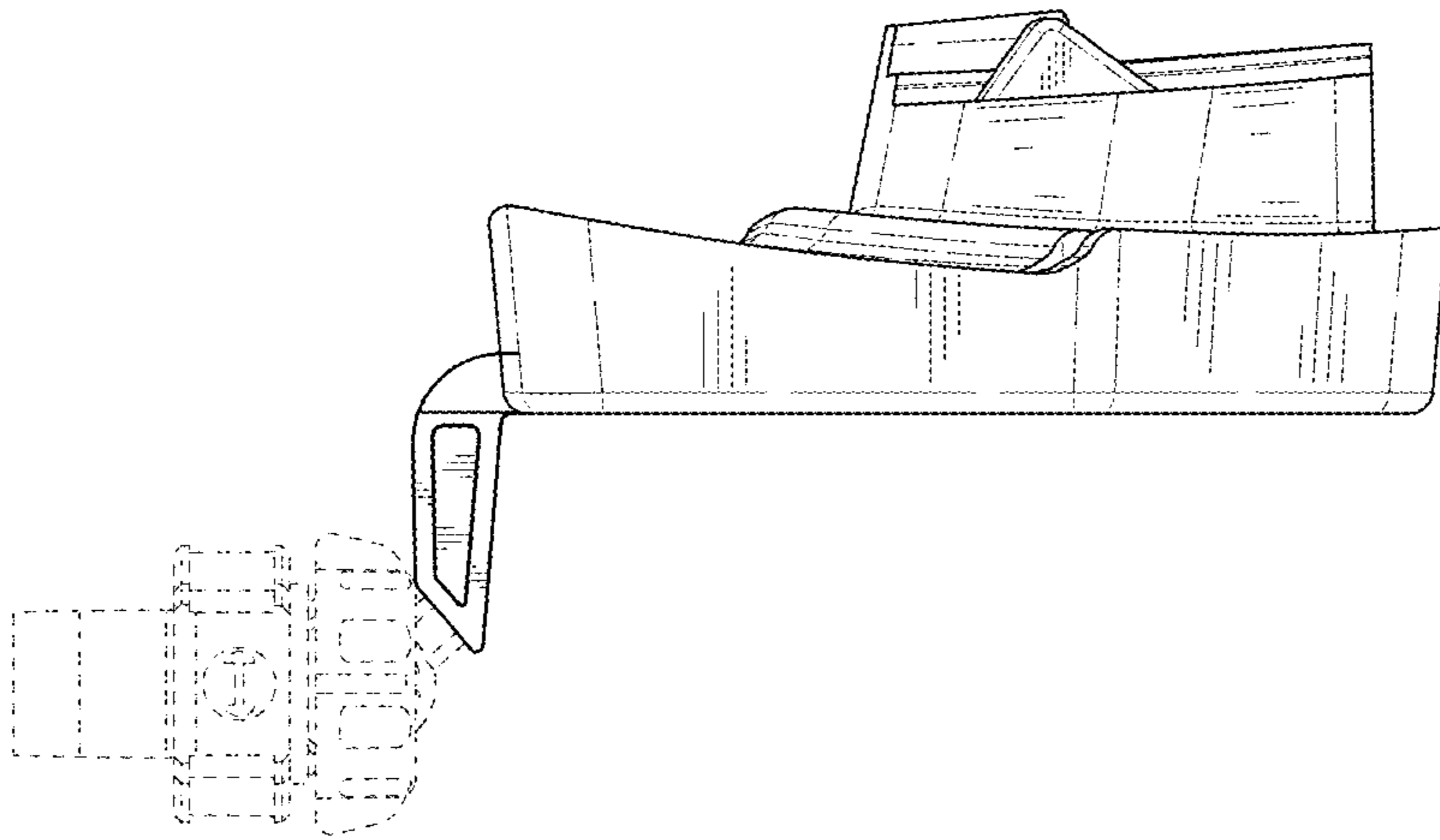


FIG. 6

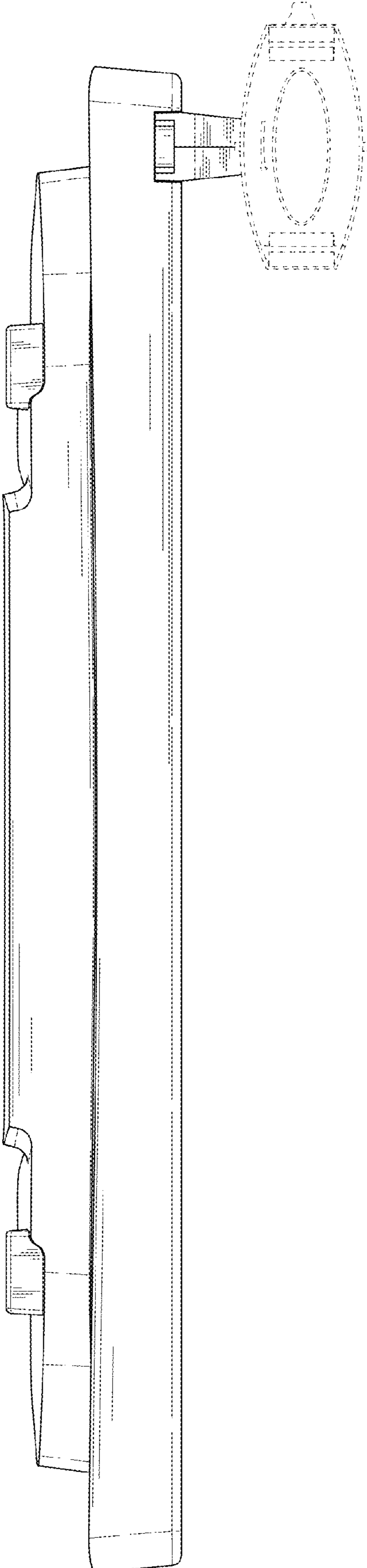


FIG. 7





FIG. 8