



US00D979484S

(12) **United States Design Patent** (10) **Patent No.:** **US D979,484 S**
Burgett (45) **Date of Patent:** **** Feb. 28, 2023**

- (54) **REMOVABLE TOP FOR A VEHICLE**
- (71) Applicant: **Big Sky Land Company, LLC**, Hamel, IL (US)
- (72) Inventor: **Seth Burgett**, Hamel, IL (US)
- (73) Assignee: **BIG SKY LAND COMPANY, LLC**, Hamel, IL (US)
- (**) Term: **15 Years**
- (21) Appl. No.: **29/754,833**
- (22) Filed: **Oct. 14, 2020**
- (51) **LOC (14) Cl.** **12-16**
- (52) **U.S. Cl.**
USPC **D12/401**
- (58) **Field of Classification Search**
USPC D12/401–405, 181; D6/610, 611, 596, D6/601–603, 615, 617, 621; D7/332, D7/334–337
CPC ... B60J 7/19; B60J 7/0435; B60J 7/024; B60J 11/04; B60J 1/2091; E04H 15/08
See application file for complete search history.

2010/0327618 A1* 12/2010 Soldatelli B60J 7/1621
296/100.1
2020/0130485 A1* 4/2020 Ireland B60J 7/062
2020/0398644 A1* 12/2020 Voss B60H 3/0641
2021/0114445 A1* 4/2021 Deckard B60P 7/02

* cited by examiner

Primary Examiner — Katrina A Betton
(74) *Attorney, Agent, or Firm* — Norton Rose Fulbright US LLP

(57) **CLAIM**

The ornamental design for removable top for a vehicle, as shown and described.

DESCRIPTION

FIG. 1 is a front perspective view of a removable top for a vehicle showing my new design.
FIG. 2 is a right side view of my design, which is a mirror image of a left side view of my design.
FIG. 3 is a top view of my design; and,
FIG. 4 is a rear view of my design.

While not currently claimed, the features shown in dashed lines are in my possession, and I reserve the right to claim one or more of those features in this and/or in one or more future applications. Such features include but are not limited to:

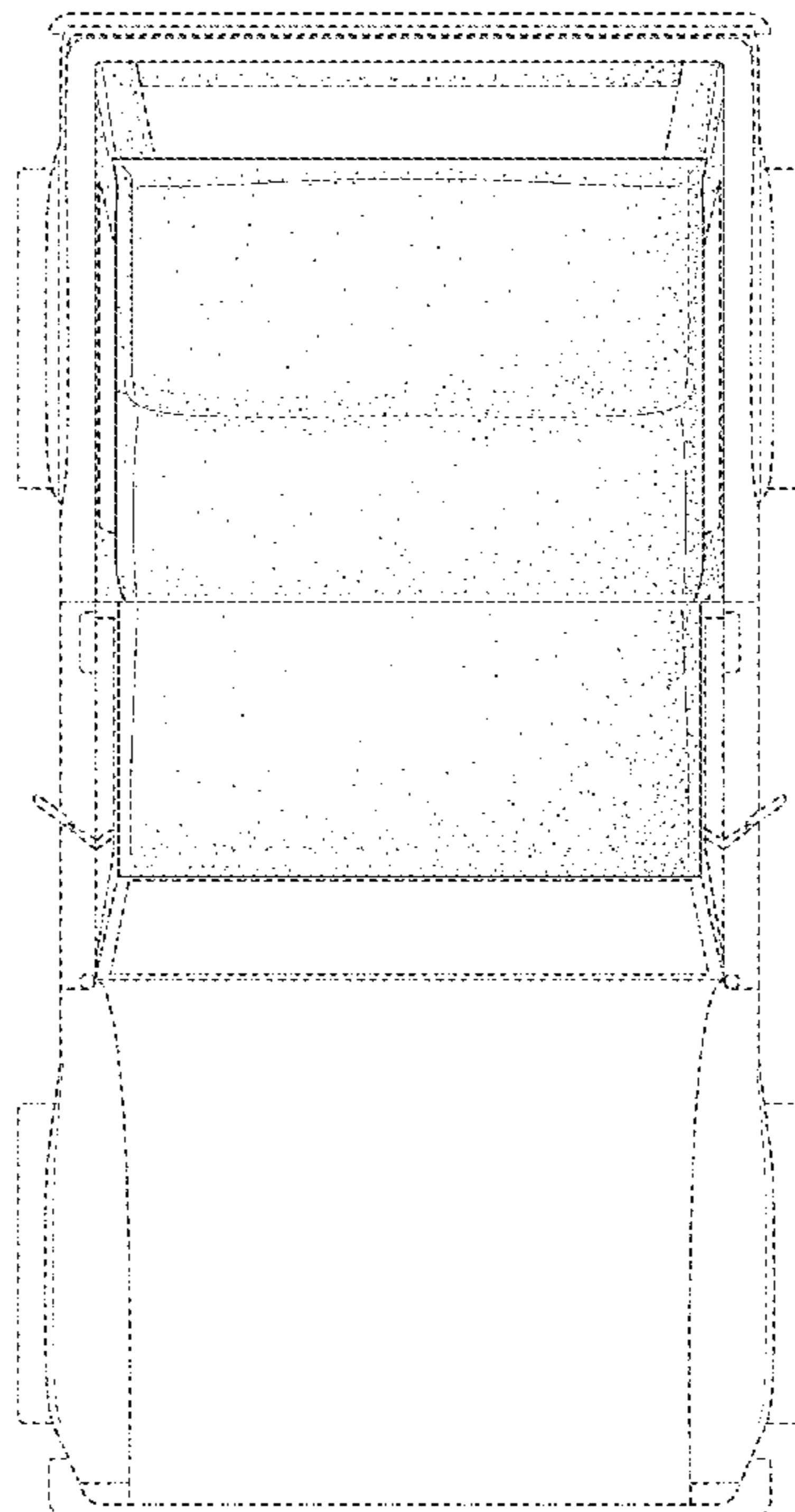
1. any of the windows of FIG. 1's removable top, shown as trapezoidal shapes on the right, left, and rear sections.
- In the drawings, the broken lines depict portions of a vehicle that form no part of the claimed design. Any surfaces or portions of my removable top for a vehicle not shown in the figures or otherwise described in the specification form no part of the claimed design.

1 Claim, 4 Drawing Sheets

(56) **References Cited**

U.S. PATENT DOCUMENTS

D610,067 S *	2/2010	Frankham	D12/404
D902,832 S *	11/2020	Anderson	D12/401
D924,120 S *	7/2021	Voss	D12/401
D924,779 S *	7/2021	Emerson	D12/401
D926,105 S *	7/2021	Queener	D12/401
D926,666 S *	8/2021	Martin	D12/401
D928,693 S *	8/2021	Lettl	D12/401
D930,551 S *	9/2021	Suckling	D12/401



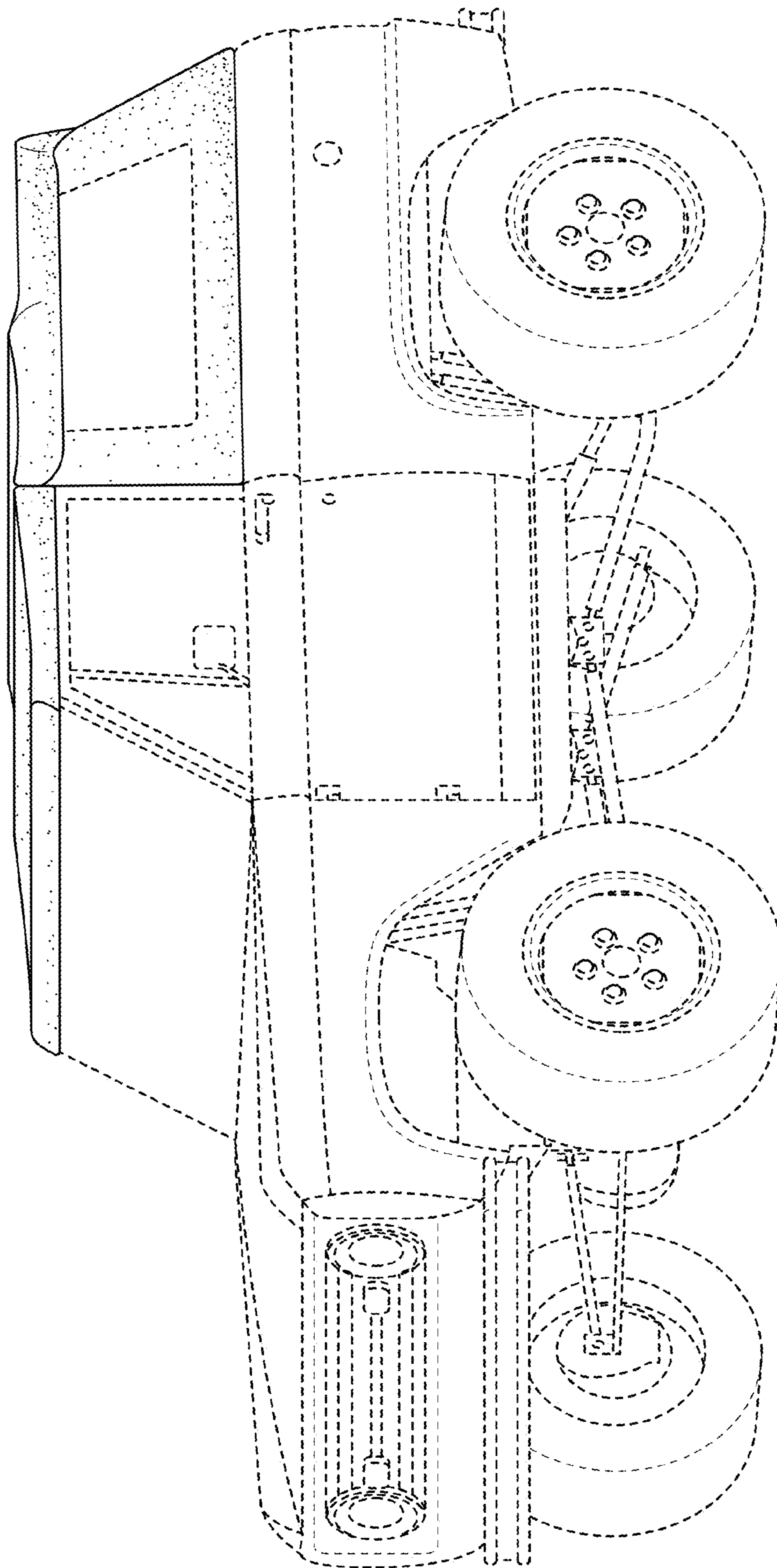


FIG. 1

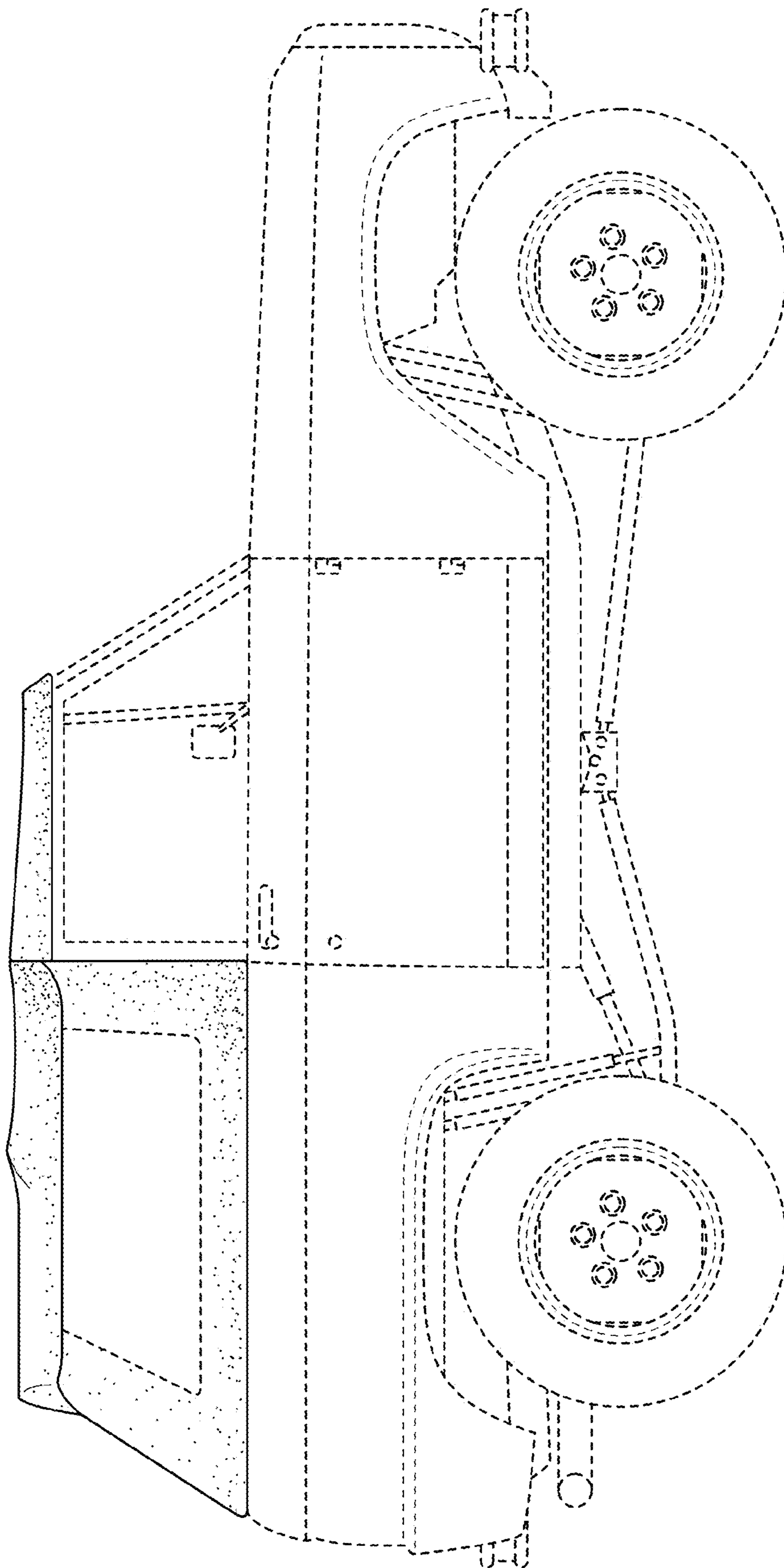


FIG. 2

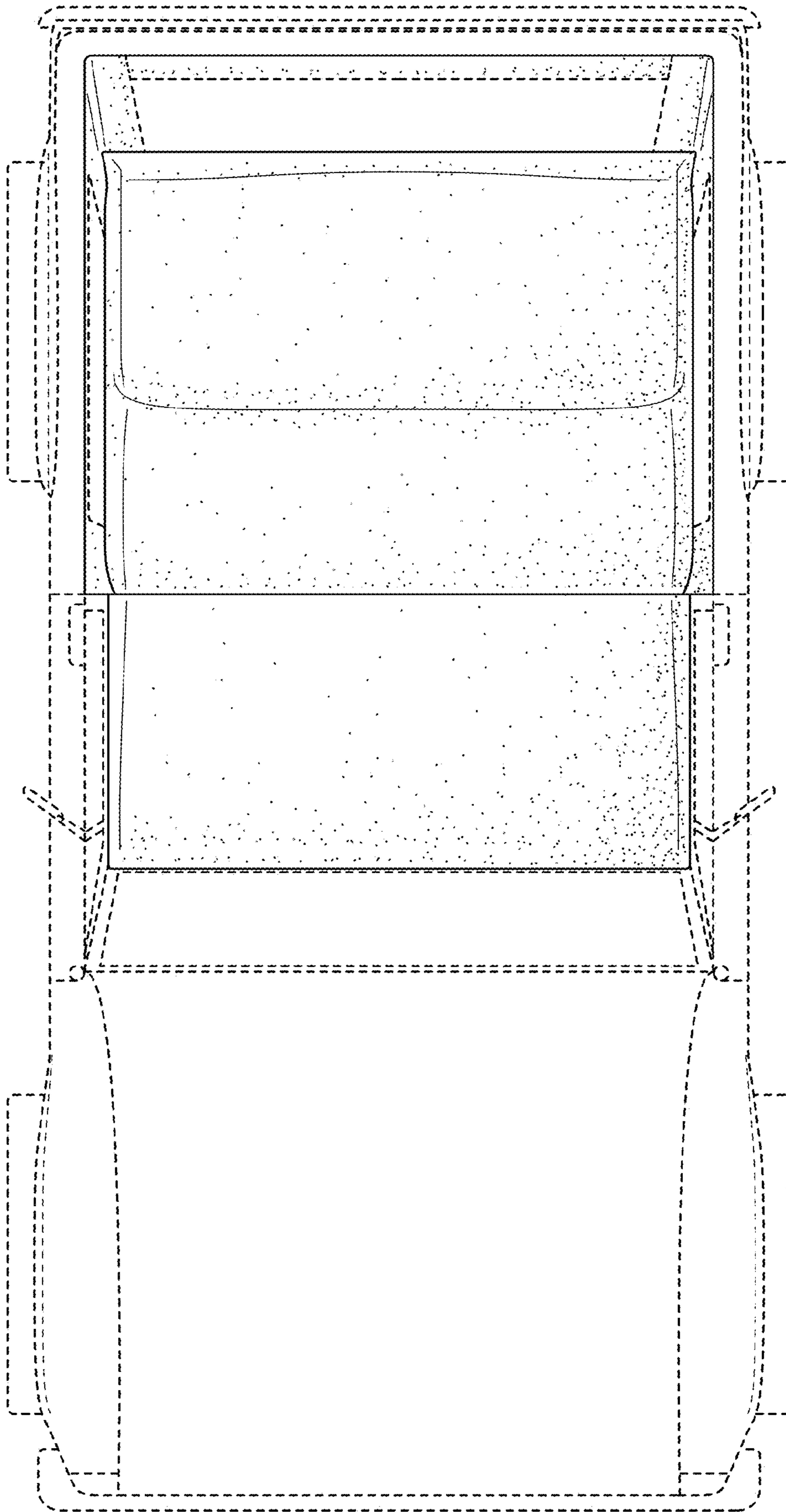


FIG. 3

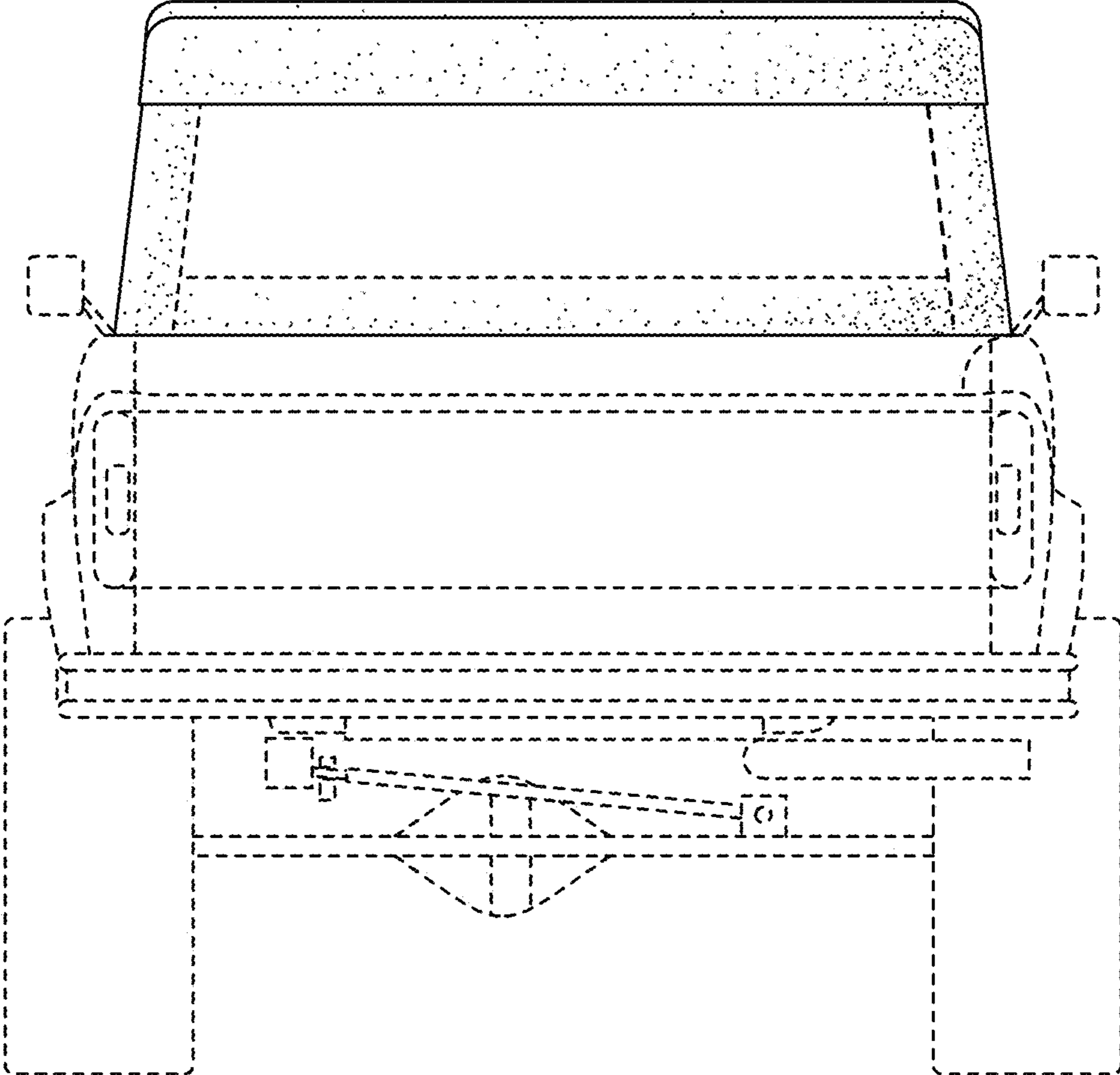


FIG. 4