



US00D979483S

(12) **United States Design Patent** (10) **Patent No.:** **US D979,483 S**
Voss (45) **Date of Patent:** **** Feb. 28, 2023**

(54) **CANOPY**
(71) Applicant: **Rock Solid Industries International (Pty) Ltd, Pietermaritzburgh (ZA)**
(72) Inventor: **Michael Voss, Pietermaritzburg (ZA)**
(73) Assignee: **ROCK SOLID INDUSTRIES INTERNATIONAL (PTY) LTD, Pietermaritzburgh (ZA)**

4,063,762 A 12/1977 Williams
D271,757 S 12/1983 Miller
D290,945 S 7/1987 Geisler
D293,094 S 12/1987 Brown
D298,818 S 12/1988 Silliker
D299,223 S 1/1989 Galvin
D310,806 S 9/1990 Hertzberg
5,072,984 A 12/1991 Jackson

(Continued)

(**) Term: **15 Years**
(21) Appl. No.: **29/681,185**
(22) Filed: **Feb. 22, 2019**

(30) **Foreign Application Priority Data**

Jan. 2, 2019 (ZA) A2019/00007
Feb. 20, 2019 (ZA) A2019/00259

(51) **LOC (14) Cl.** **12-16**
(52) **U.S. Cl.**
USPC **D12/401**

(58) **Field of Classification Search**
USPC D12/401-405, 181; D6/610, 611, 596,
D6/601-603, 615, 617, 621; D7/332,
D7/334-337
CPC ... B60J 7/19; B60J 7/0435; B60J 7/024; B60J
11/04; B60J 1/2091; E04H 15/08
See application file for complete search history.

(56) **References Cited**

U.S. PATENT DOCUMENTS

2,032,630 A 3/1936 Northup
2,925,303 A 7/1957 Lane
D206,530 S 12/1966 Zell
D211,017 S 5/1968 Willison
D212,744 S 11/1968 Keurst
D232,822 S 9/1974 Knoss et al.

OTHER PUBLICATIONS

SmartCanopy—You Tube [online] [retrieved Jun. 26, 2019]. Retrieved from the Internet: <<https://www.youtube.com/user/RockSolidIndustries/videos>>, (undated) 3 pages.

(Continued)

Primary Examiner — Katrina A Betton

(74) *Attorney, Agent, or Firm* — K&L Gates LLP; Nolan R. Hubbard

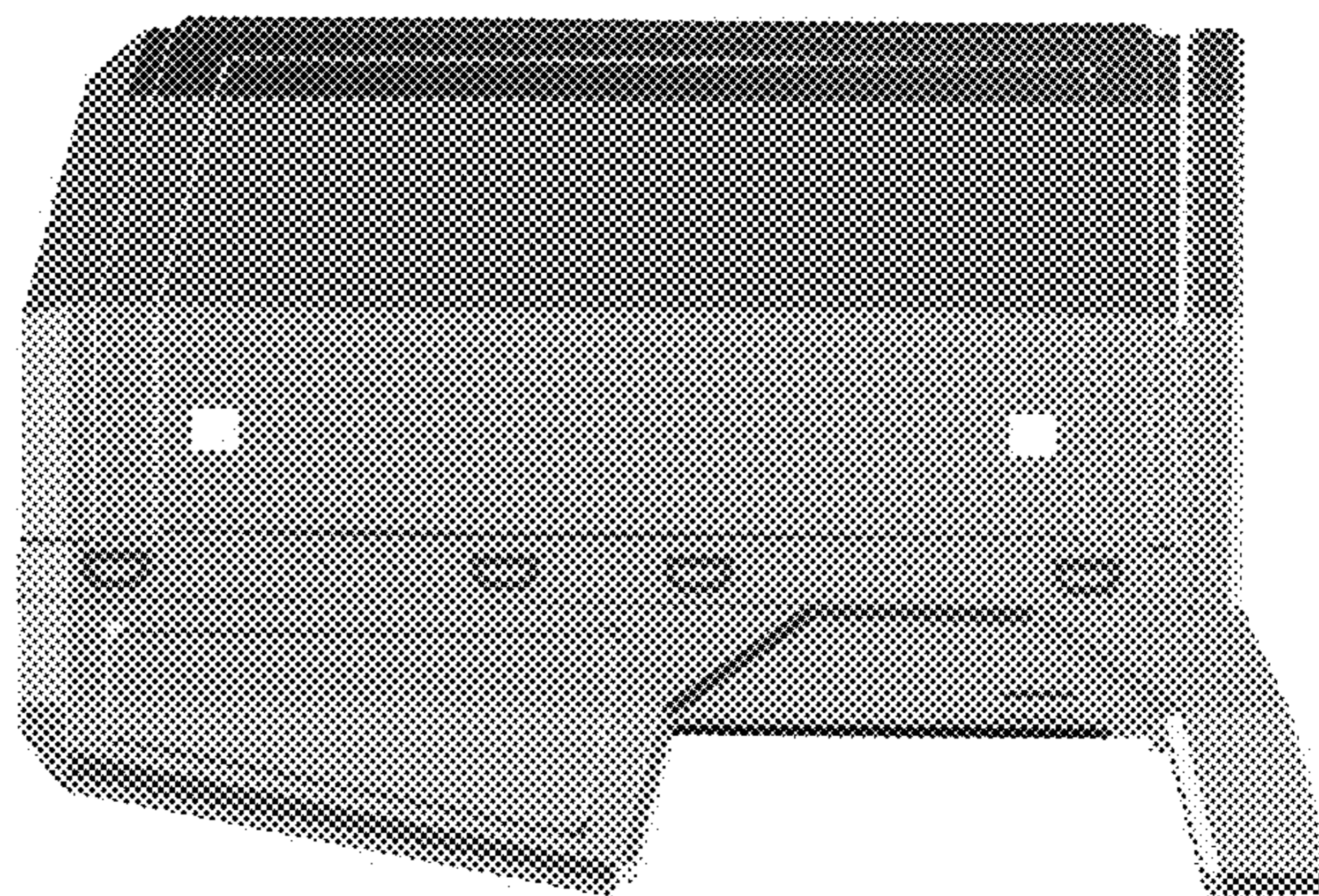
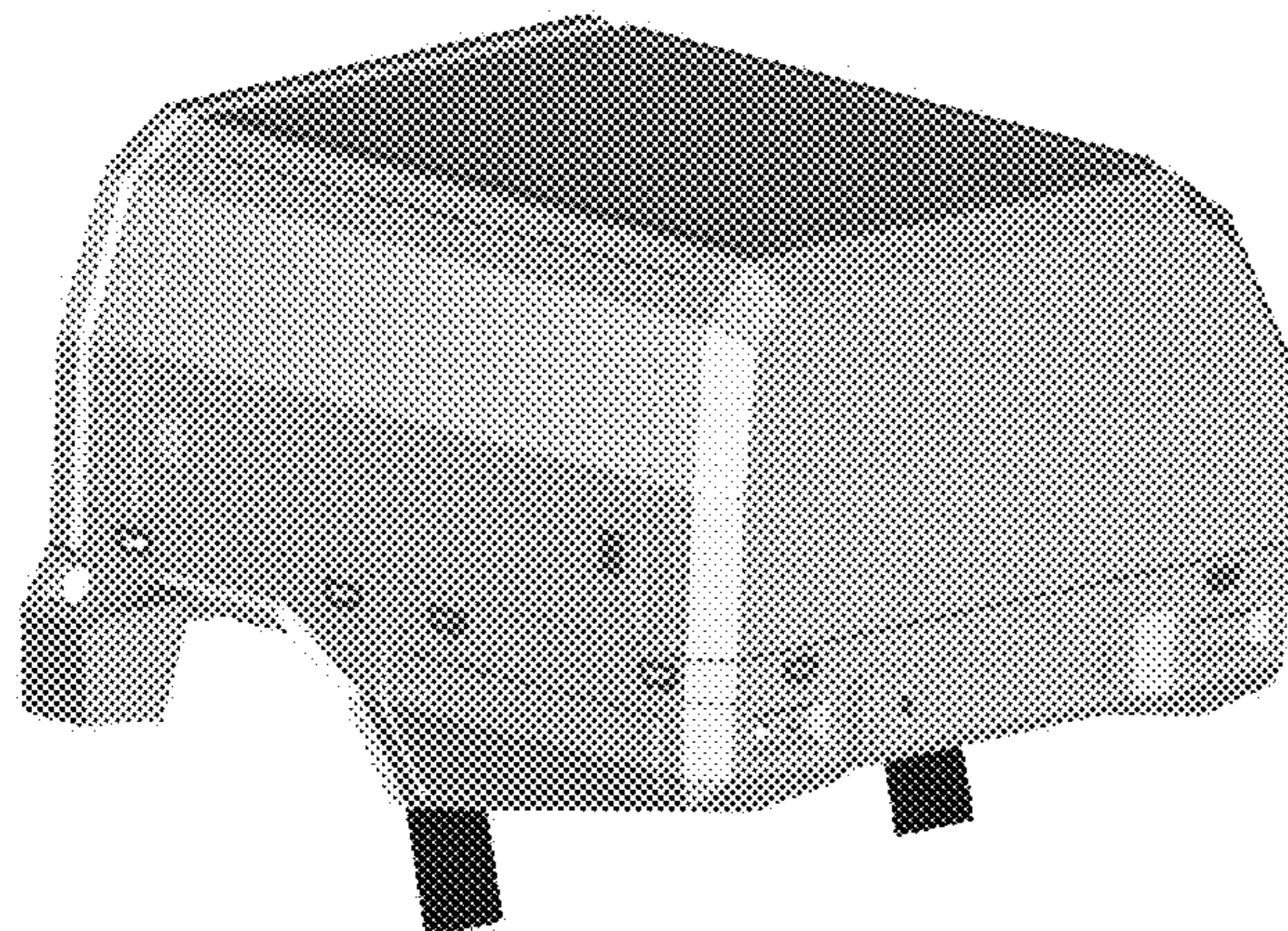
(57) **CLAIM**

The ornamental design for a canopy, as shown and described.

DESCRIPTION

The patent or application file contains at least one drawing executed in color. Copies of this patent or patent application publication with color drawing(s) will be provided by the Office upon request and payment of the necessary fee. FIG. 1 is a perspective rear left side view of a canopy showing my new design, shown in a closed configuration; FIG. 2 is a perspective front left side view thereof; FIG. 3 is a front elevation view thereof; FIG. 4 is a rear elevation view thereof; FIG. 5 is a top plan view thereof; FIG. 6 is a left side elevation view thereof; and, FIG. 7 is a right side elevation view thereof.

1 Claim, 4 Drawing Sheets
(4 of 4 Drawing Sheet(s) Filed in Color)



(56)

References Cited

U.S. PATENT DOCUMENTS

D324,015 S 2/1992 Quiniones
 D324,196 S 2/1992 Muth
 D325,551 S 4/1992 Quiniones
 D326,441 S 5/1992 Rogers
 D328,049 S 7/1992 Sturtevant
 D328,062 S 7/1992 Burgess
 D329,837 S 9/1992 Rogers
 D330,182 S 10/1992 Jones
 D332,934 S 2/1993 Brown
 5,183,310 A 2/1993 Shaughnessy
 D335,116 S 4/1993 Reed
 5,314,225 A 5/1994 Gordon
 D379,173 S 5/1997 Quiniones
 D383,432 S 9/1997 Starr
 D387,029 S 12/1997 Heinemann
 D388,049 S 12/1997 Reardon
 D403,652 S 1/1999 Starr
 D431,225 S 9/2000 Perlman
 D438,168 S 2/2001 Schroeder
 D444,445 S 7/2001 Schroeder
 D464,606 S 10/2002 Soldatelli
 D610,067 S * 2/2010 Frankham D12/404
 D619,078 S 7/2010 Frankham
 D623,583 S 9/2010 Girardi
 9,150,087 B2 10/2015 Aho
 D812,545 S 3/2018 Donohoe
 D836,532 S 12/2018 King
 10,252,603 B2 4/2019 Rohr
 D857,609 S 8/2019 Rohr
 D864,086 S 10/2019 Breece
 D867,969 S 11/2019 Johnson
 D881,110 S 4/2020 Herndon
 D902,832 S * 11/2020 Anderson D12/401
 D924,120 S * 7/2021 Voss D12/401
 D924,779 S * 7/2021 Emerson D12/401
 D926,105 S * 7/2021 Queener D12/401
 D926,666 S * 8/2021 Martin D12/401
 D928,693 S * 8/2021 Lettl D12/401
 D928,694 S 8/2021 Steinberg
 D930,551 S * 9/2021 Suckling D12/401
 D932,417 S 10/2021 Voss

2003/0038505 A1 2/2003 Sisson
 2003/0071483 A1 4/2003 Sutton et al.
 2005/0067830 A1 3/2005 Mijdam et al.
 2008/0067830 A1 3/2008 Frankham
 2010/0114445 A1 5/2010 Groult
 2010/0327618 A1 * 12/2010 Soldatelli B60J 7/1621
 296/100.1
 2020/0130485 A1 * 4/2020 Ireland B60J 7/062
 2020/0398644 A1 * 12/2020 Voss B60H 3/0641
 2021/0114445 A1 * 4/2021 Deckard B60P 7/02
 2021/0129643 A1 5/2021 Voss

OTHER PUBLICATIONS

RSI SmartCanopy®—Leisure Canopy—YouTube [online] [retrieved Jun. 26, 2019]. Retrieved from the Internet: <https://www.youtube.com/watch?v=Rrt_o41CQI>. (dated Mar. 7, 2017) 1 page.
 Leisure RSI SmartCanopy (Short Clip)—YouTube [online] [retrieved Jun. 26, 2019]. Retrieved from the Internet: <<https://www.youtube.com/watch?v=b2jhlw032E>>. (dated Jun. 14, 2017) 1 page.
 RSi SmartCanopy® Stainless Steel Canopies & Accessories, 2018 Edition [online] [retrieved Jun. 26, 2019]. Retrieved from the Internet: <[https://smartcanopy.co.za/PDF/RSI-SMARTCANOPY-Brochure-April-2018-\(WEB\).pdf](https://smartcanopy.co.za/PDF/RSI-SMARTCANOPY-Brochure-April-2018-(WEB).pdf)>. (Apr. 2018) 8 pages.
 RSi SmartCanopy® Less Standard, More Smart [online] [retrieved Jun. 26, 2019]. Retrieved from the Internet: <[https://smartcanopy.co.za/PDF/RSI-SMARTCANOPY-Sales-Brochure-2017-\(WEB\).pdf](https://smartcanopy.co.za/PDF/RSI-SMARTCANOPY-Sales-Brochure-2017-(WEB).pdf)>, (2017) 4 pages.
 SmartCap EVO, www.rsismartcap.com [online], Published on or before Sep. 23, 2020, [retrieved on Sep. 23, 2020]. Retrieved from the Internet: URL: <https://www.rsismartcap.com/products/smartcap-evo> (Year: 2020).
 EVO Sport_RSI SmartCap, www.rsismartcanopy.com [online]. Published on or before Oct. 4, 2020, [retrieved on Oct. 4, 2020]. Retrieved from the Internet: URL: <https://www.rsismartcanopy.com/evo-leisure> (Year: 2020).
 RLD Design, www.riddesignusa.com [online]. Published on or before Oct. 4, 2020, [retrieved on Oct. 4, 2020]. Retrieved from the Internet: URL: <https://www.riddesignusa.com/p/toyota/tacoma/tacoma-truck-cap-canopy/> (Year: 2020).

* cited by examiner

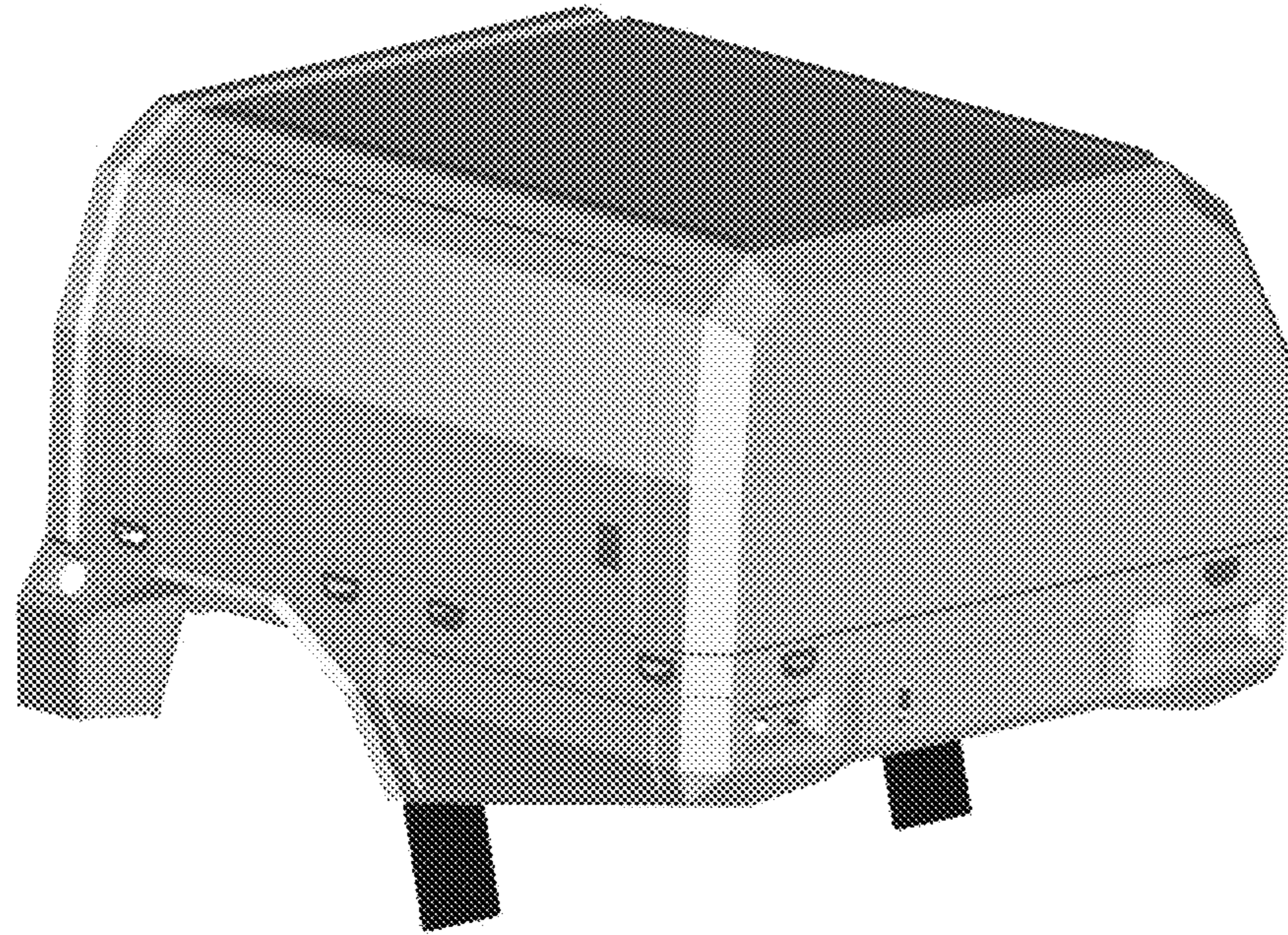


Figure 1

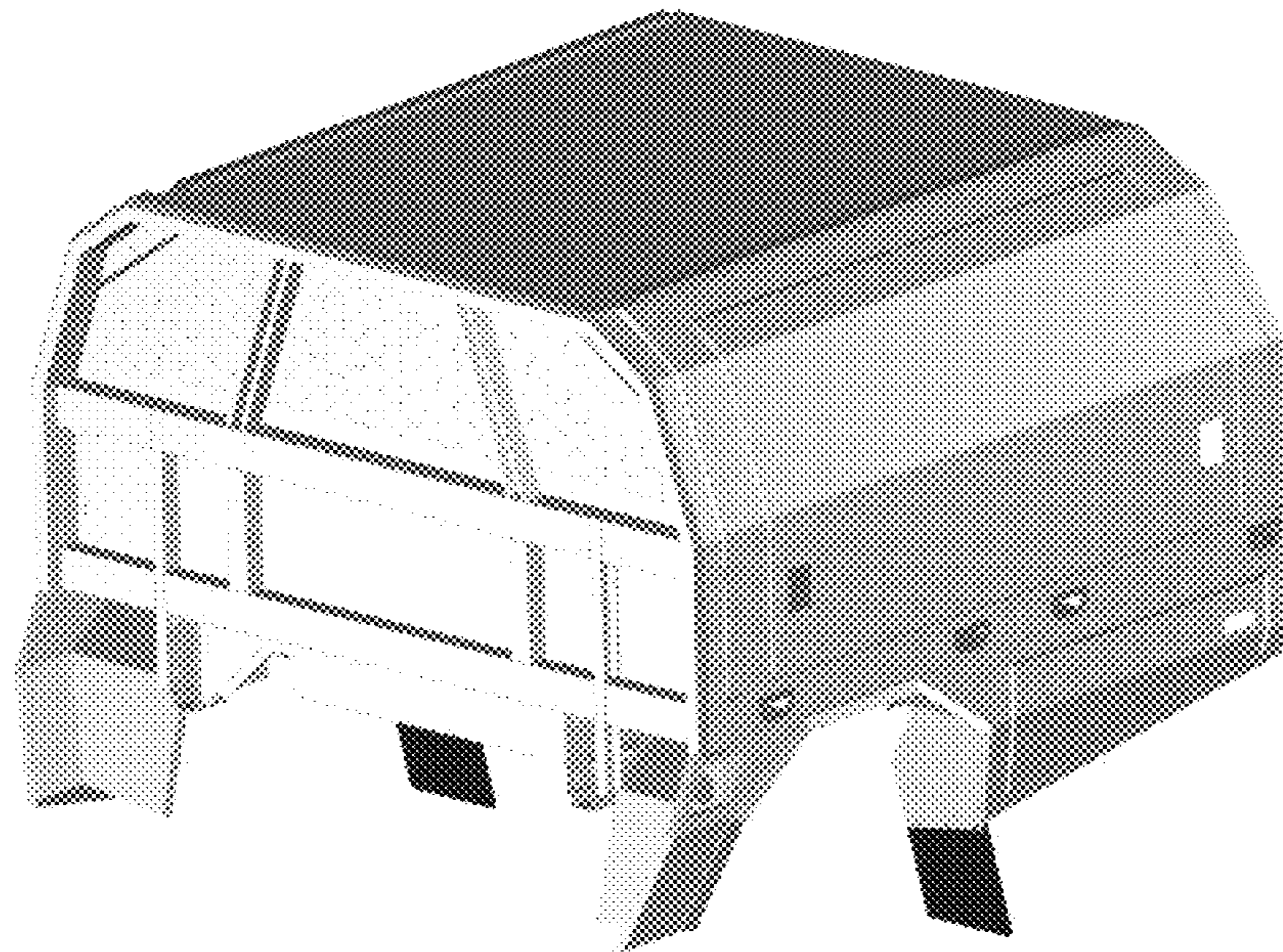


Figure 2

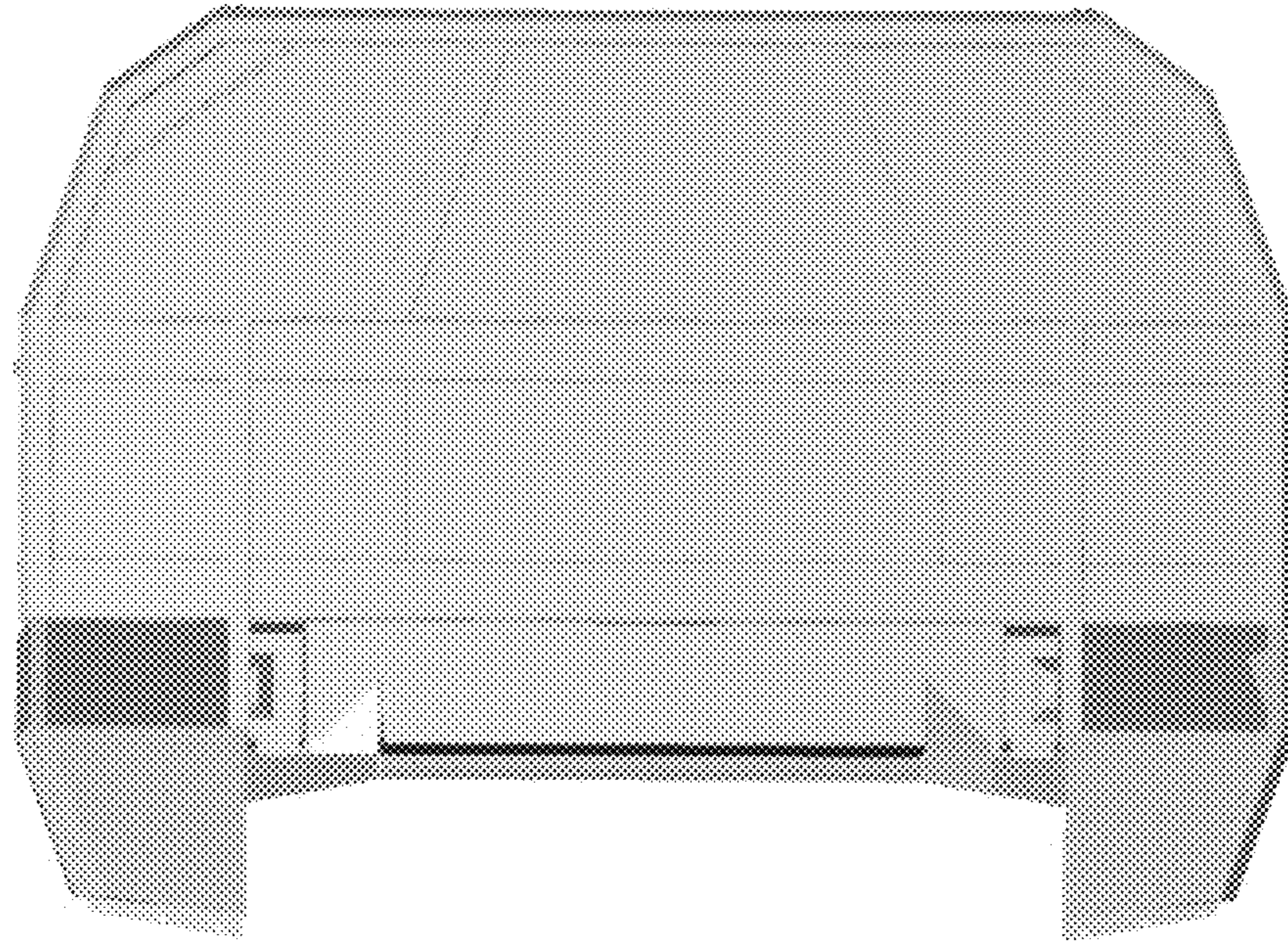


Figure 3

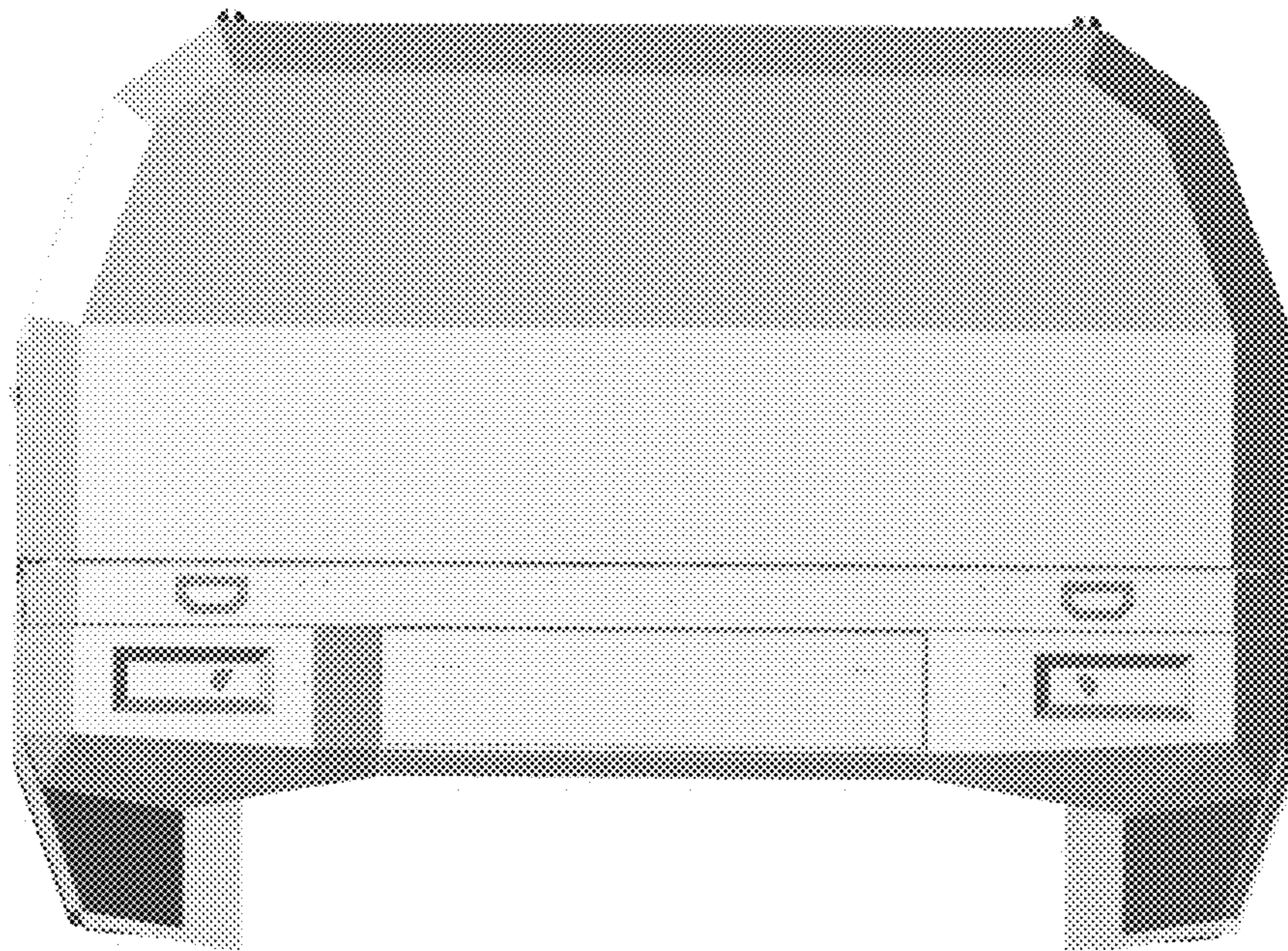


Figure 4

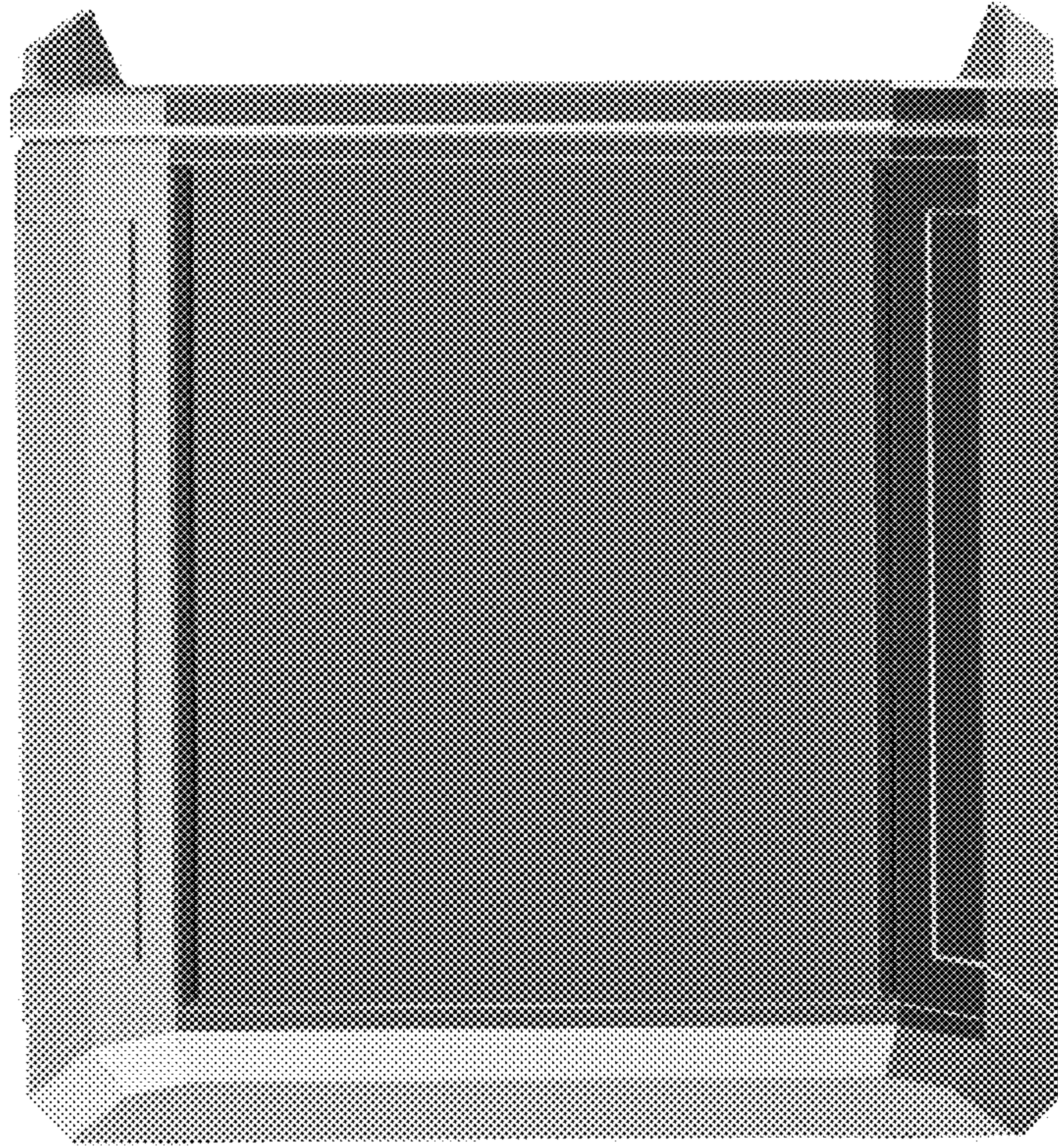


Figure 5

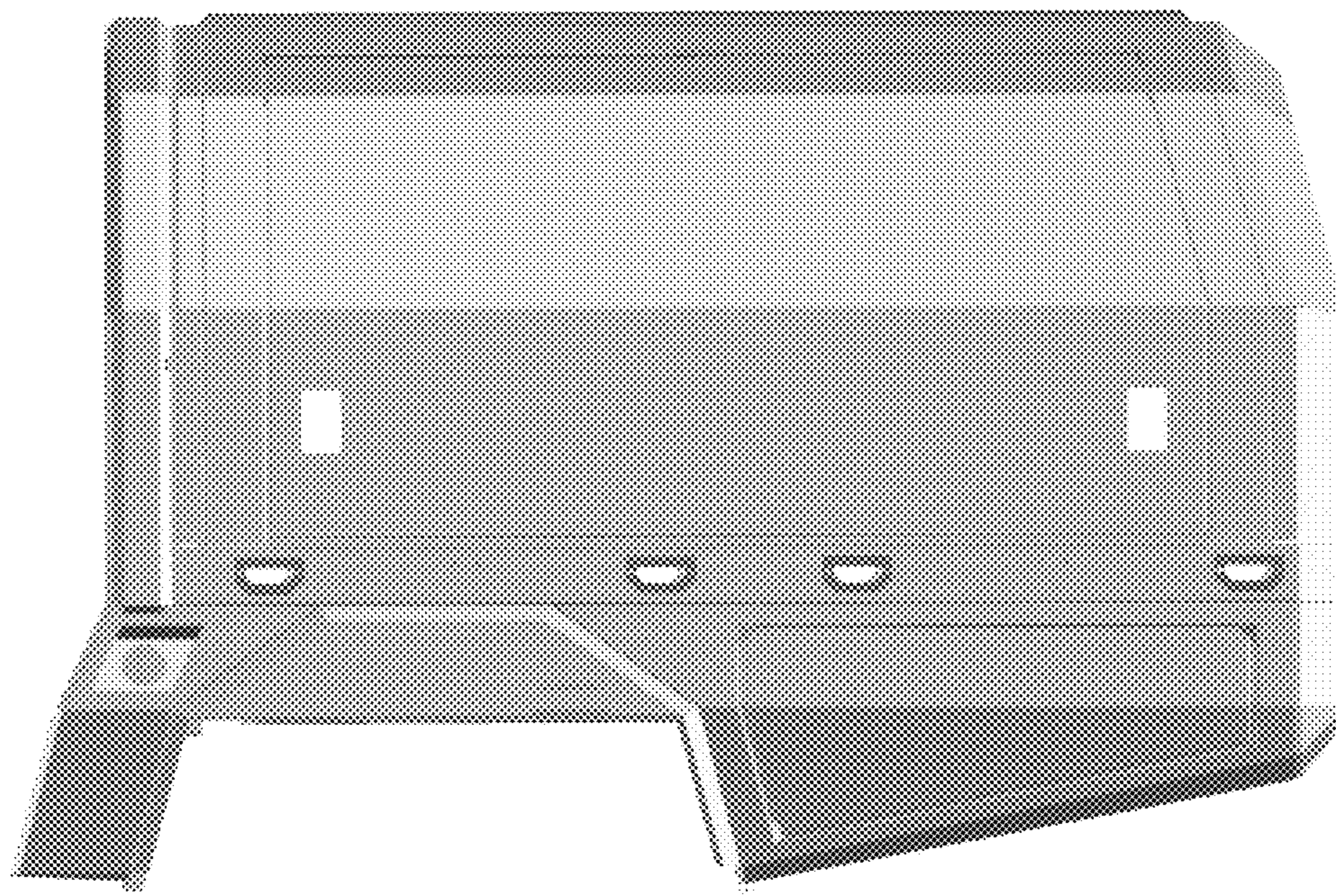


Figure 6

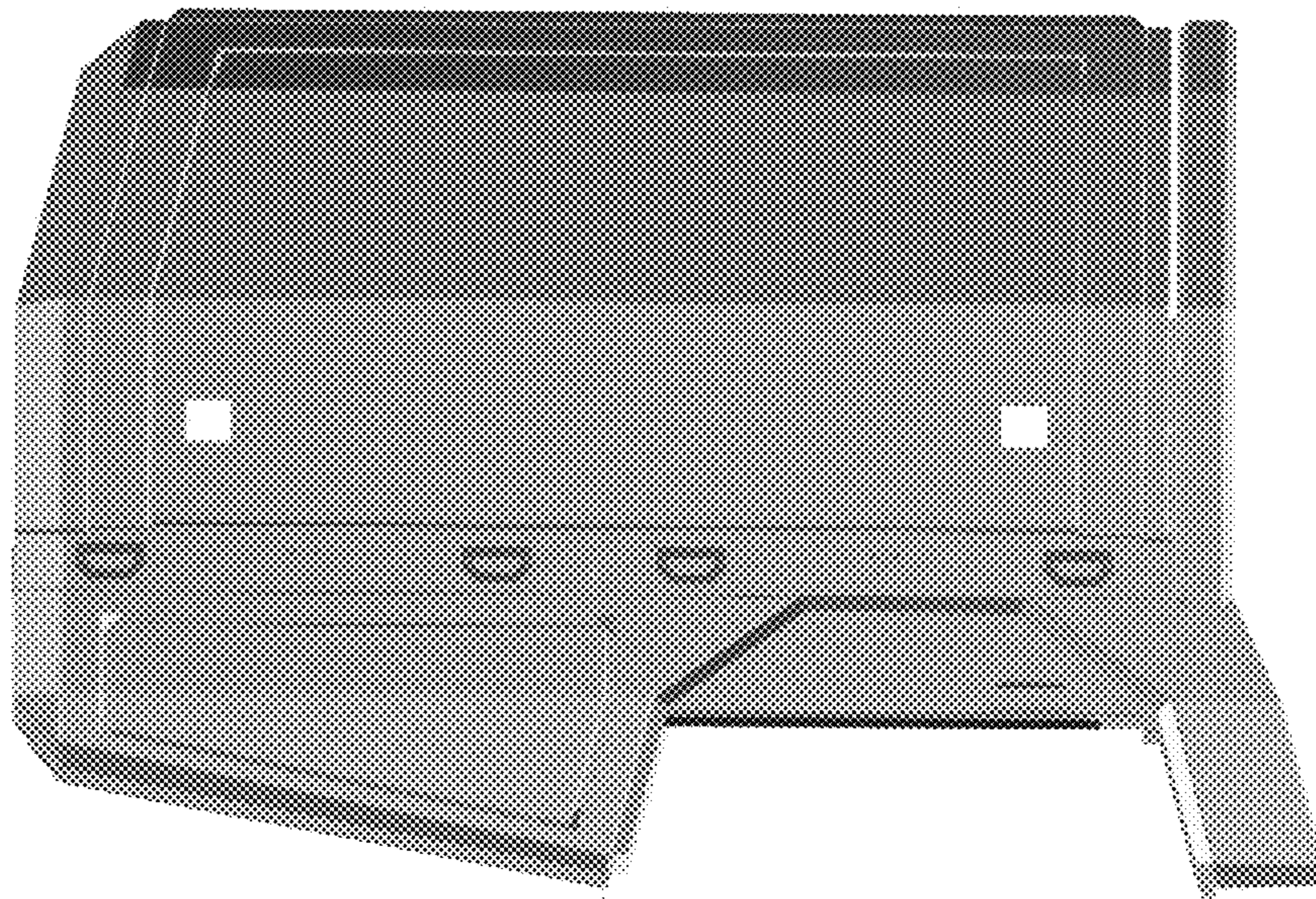


Figure 7

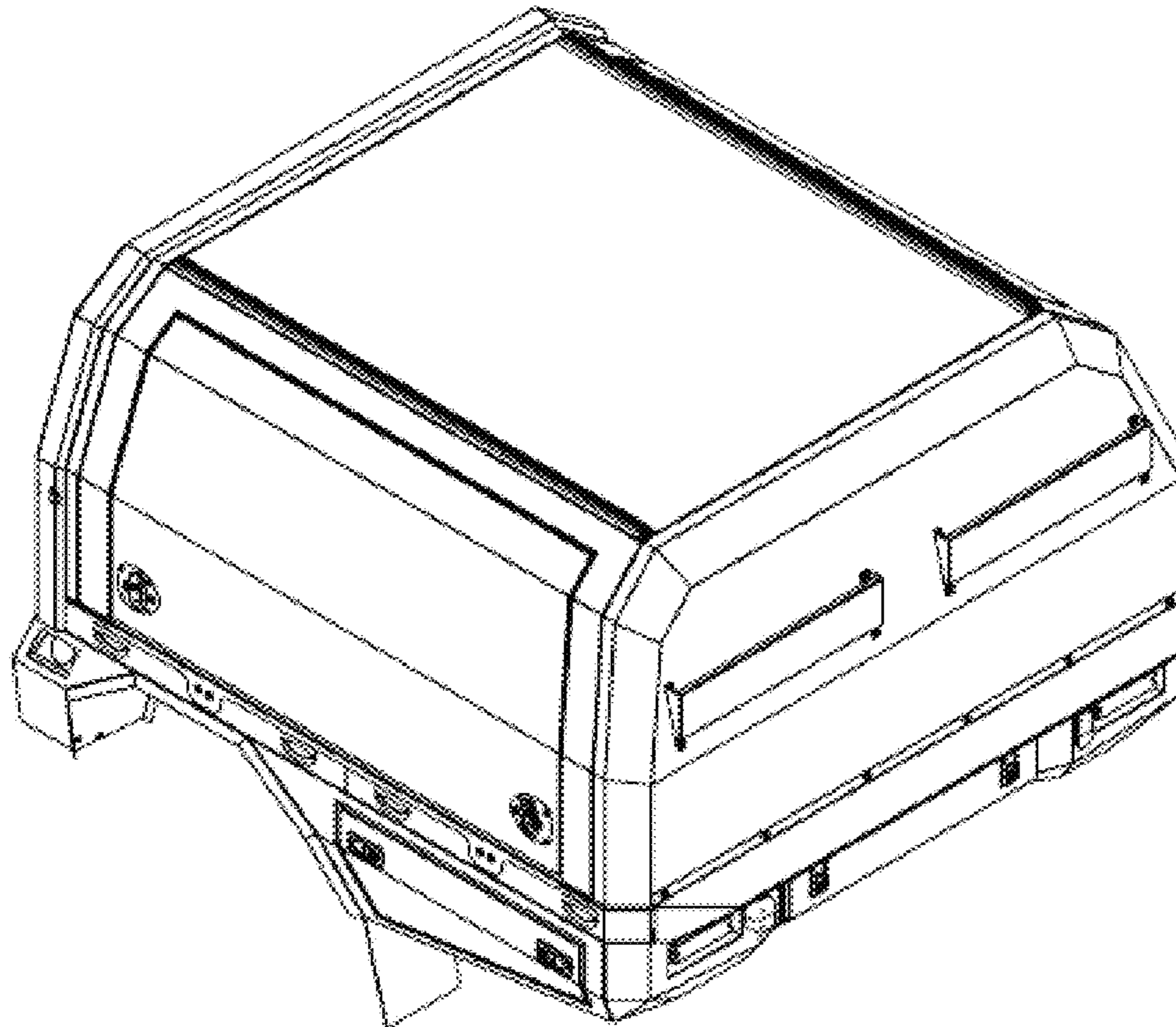


Figure 8