



US00D979481S

(12) **United States Design Patent**
Padgett

(10) **Patent No.:** **US D979,481 S**

(45) **Date of Patent:** **** Feb. 28, 2023**

(54) **SEA CHEST ASSEMBLY**

(71) Applicant: **Michael Padgett**, Miami, FL (US)

(72) Inventor: **Michael Padgett**, Miami, FL (US)

(**) Term: **15 Years**

(21) Appl. No.: **29/724,283**

(22) Filed: **Feb. 13, 2020**

(51) **LOC (14) Cl.** **12-06**

(52) **U.S. Cl.**
USPC **D12/317**

(58) **Field of Classification Search**
USPC D12/317
CPC ... B63B 2013/005; B63B 13/02; B63B 13/00;
B63H 21/383; F01P 2050/02
See application file for complete search history.

(56) **References Cited**

U.S. PATENT DOCUMENTS

1,884,282 A *	10/1932	Schmidt	B63B 13/00 114/198
D252,685 S	8/1979	Johnston		
5,538,406 A	7/1996	Siegal et al.		
D404,400 S	1/1999	Wang		
6,038,993 A	3/2000	Vento		
6,276,908 B1	8/2001	Batchelder et al.		
6,699,087 B1	3/2004	Tafoya et al.		

(Continued)

OTHER PUBLICATIONS

Hooker Electric, 39' Contender w/Hooker Electric Pumps, Jan. 14, 2019 <https://www.youtube.com/watch?v=Nvf8R8D-Nilo>.

(Continued)

Primary Examiner — Cynthia M. Chin

(74) *Attorney, Agent, or Firm* — Malloy & Malloy, PL

(57) **CLAIM**

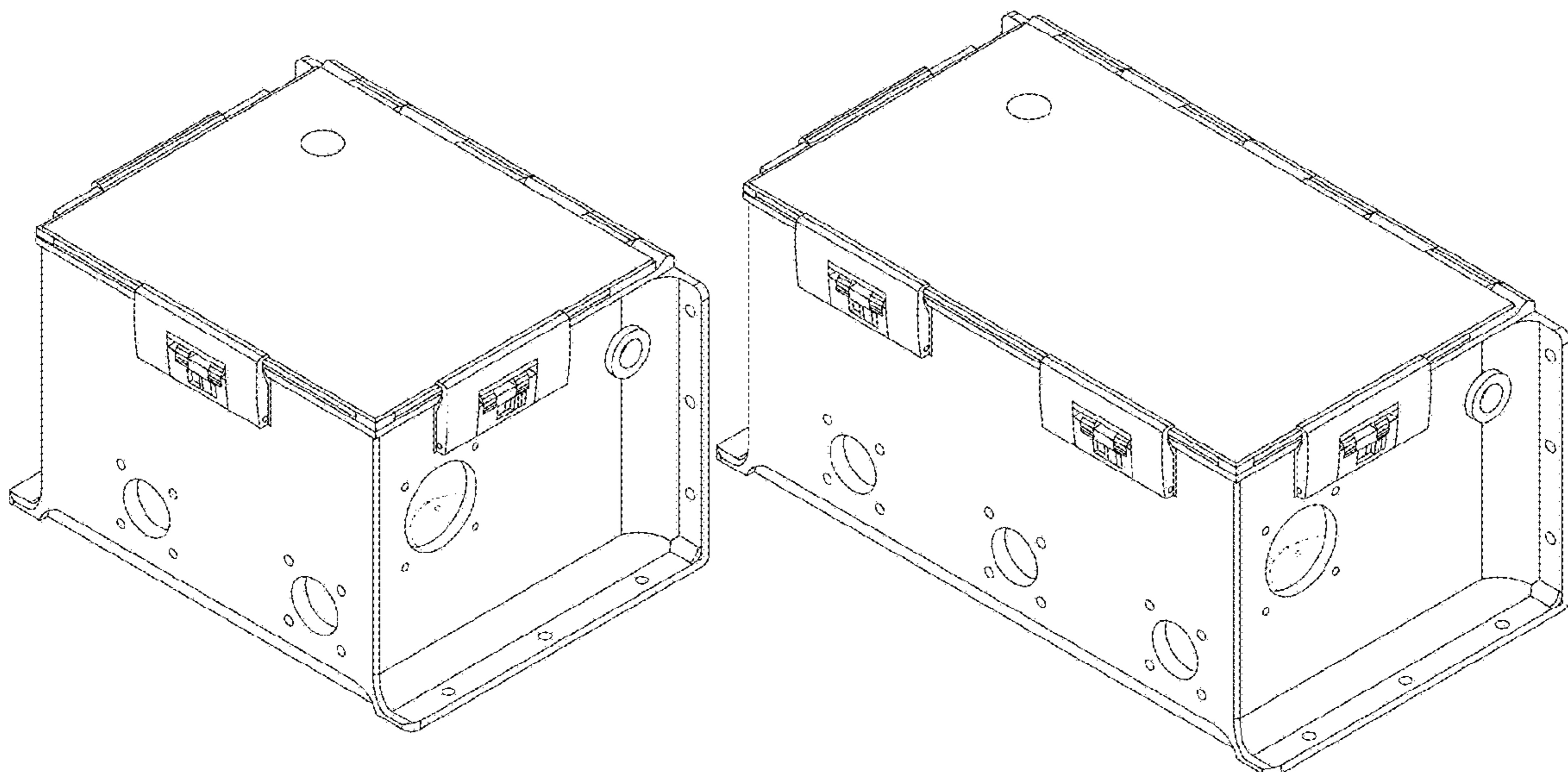
The ornamental design for a sea chest assembly, as shown and described.

DESCRIPTION

FIG. 1 is a Front Perspective view illustrating a first embodiment of my design for a sea chest assembly;
 FIG. 2 is a Front Elevation view thereof;
 FIG. 3 is a Right Side view thereof;
 FIG. 4 is a Rear Elevation view thereof;
 FIG. 5 is a Left Side view thereof;
 FIG. 6 is a Top Plan view thereof;
 FIG. 7 is a Bottom Plan view thereof;
 FIG. 8 is a Front Perspective view of a second embodiment thereof;
 FIG. 9 is a Front Elevation view of the embodiment of FIG. 8;
 FIG. 10 is a Right Side view of the embodiment of FIG. 8;
 FIG. 11 is a Rear Elevation view of the embodiment of FIG. 8;
 FIG. 12 is a Left Side view of the embodiment of FIG. 8;
 FIG. 13 is a Top Plan view of the embodiment of FIG. 8;
 FIG. 14 is a Bottom Plan view of the embodiment of FIG. 8;
 FIG. 15 is a Front Perspective view of a third embodiment thereof;
 FIG. 16 is a Front Elevation view of the embodiment of FIG. 15;
 FIG. 17 is a Right Side view of the embodiment of FIG. 15;
 FIG. 18 is a Rear Elevation view of the embodiment of FIG. 15;
 FIG. 19 is a Left Side view of the embodiment of FIG. 15;
 FIG. 20 is a Top Plan view of the embodiment of FIG. 15;
 and,
 FIG. 21 is a Bottom Plan view of the embodiment of FIG. 15.

The broken lines in the drawings are for illustrative purposes only and form no part of the claimed design.

1 Claim, 21 Drawing Sheets



(56)

References Cited

U.S. PATENT DOCUMENTS

8,215,254 B2 * 7/2012 Pavlow B63B 13/02
114/125
10,316,732 B2 * 6/2019 Salters F28D 1/0206
D919,546 S * 5/2021 Sandstrom D12/317
D949,926 S 4/2022 Padgett
11,369,101 B1 6/2022 Padgett
2006/0070581 A1 4/2006 Kohlmoos
2016/0108903 A1 4/2016 Cai et al.
2018/0010609 A1 1/2018 Jensen et al.
2018/0045208 A1 2/2018 Bedin et al.
2018/0111069 A1 * 4/2018 Saito C02F 1/004

OTHER PUBLICATIONS

Dave Lear, Keep Your Bait Healthy with a Sea Chest—Online
Article—SaltwaterSportsman.com, Jun. 1, 2015.

* cited by examiner

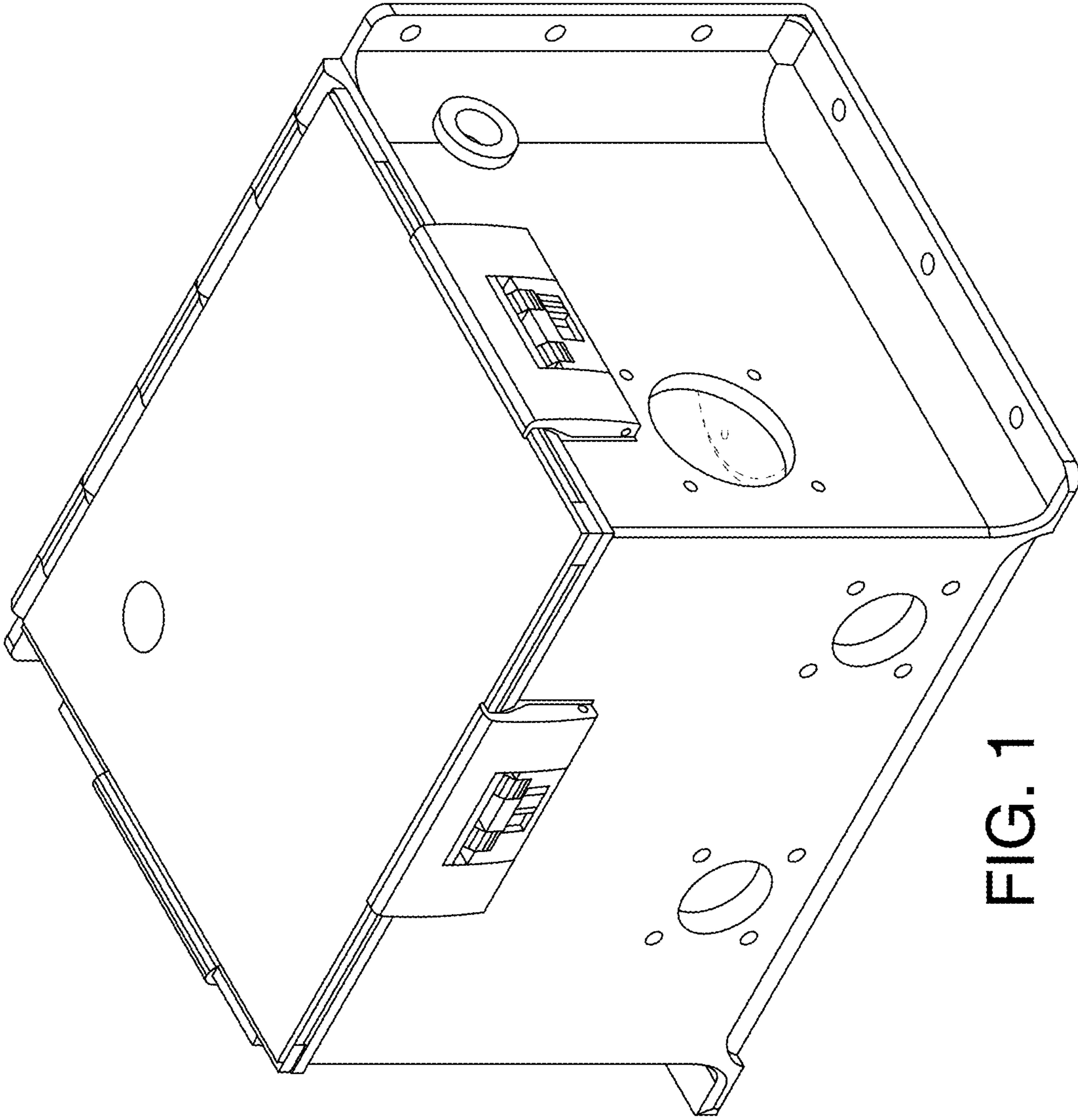


FIG. 1

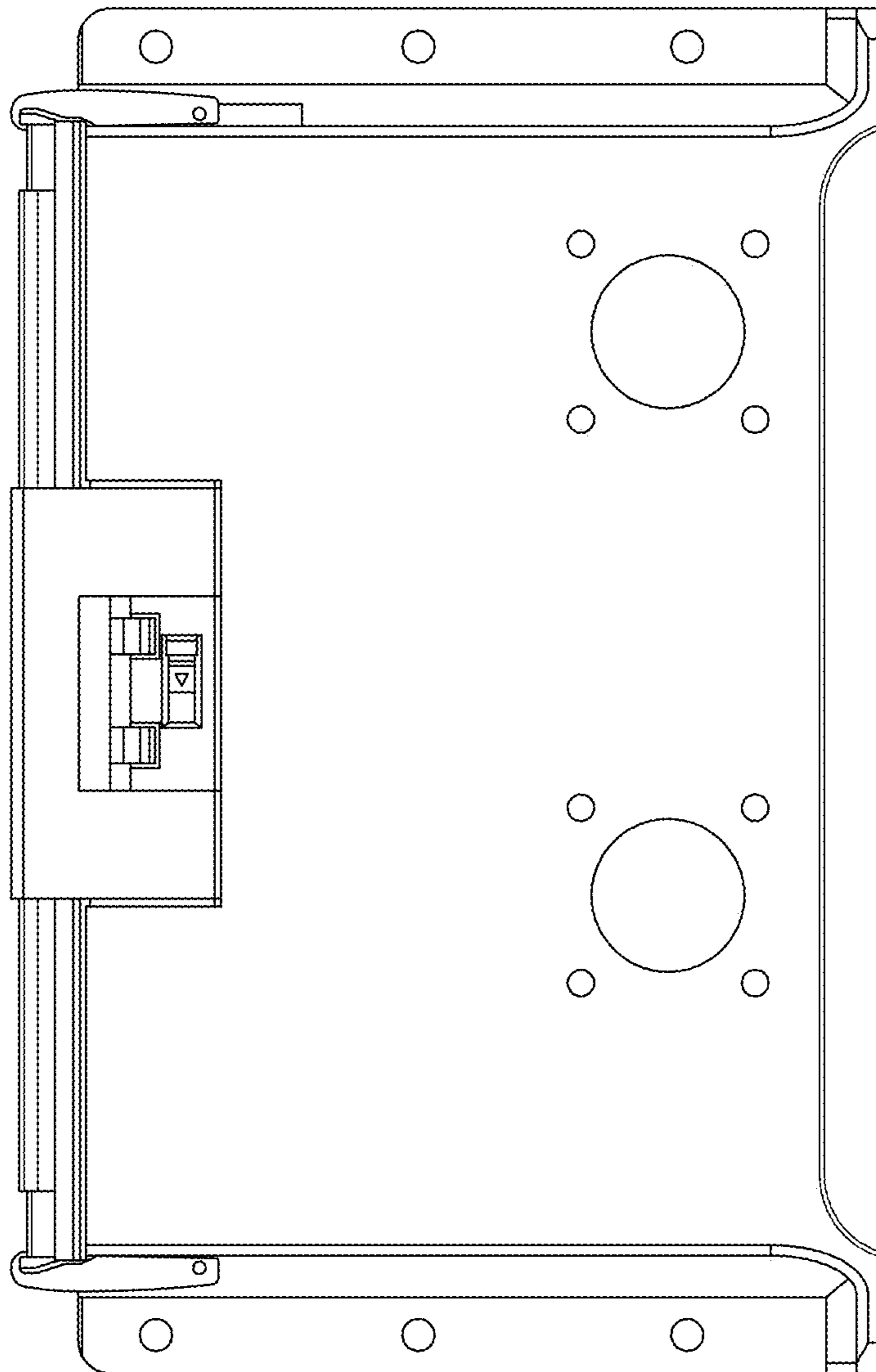


FIG. 2

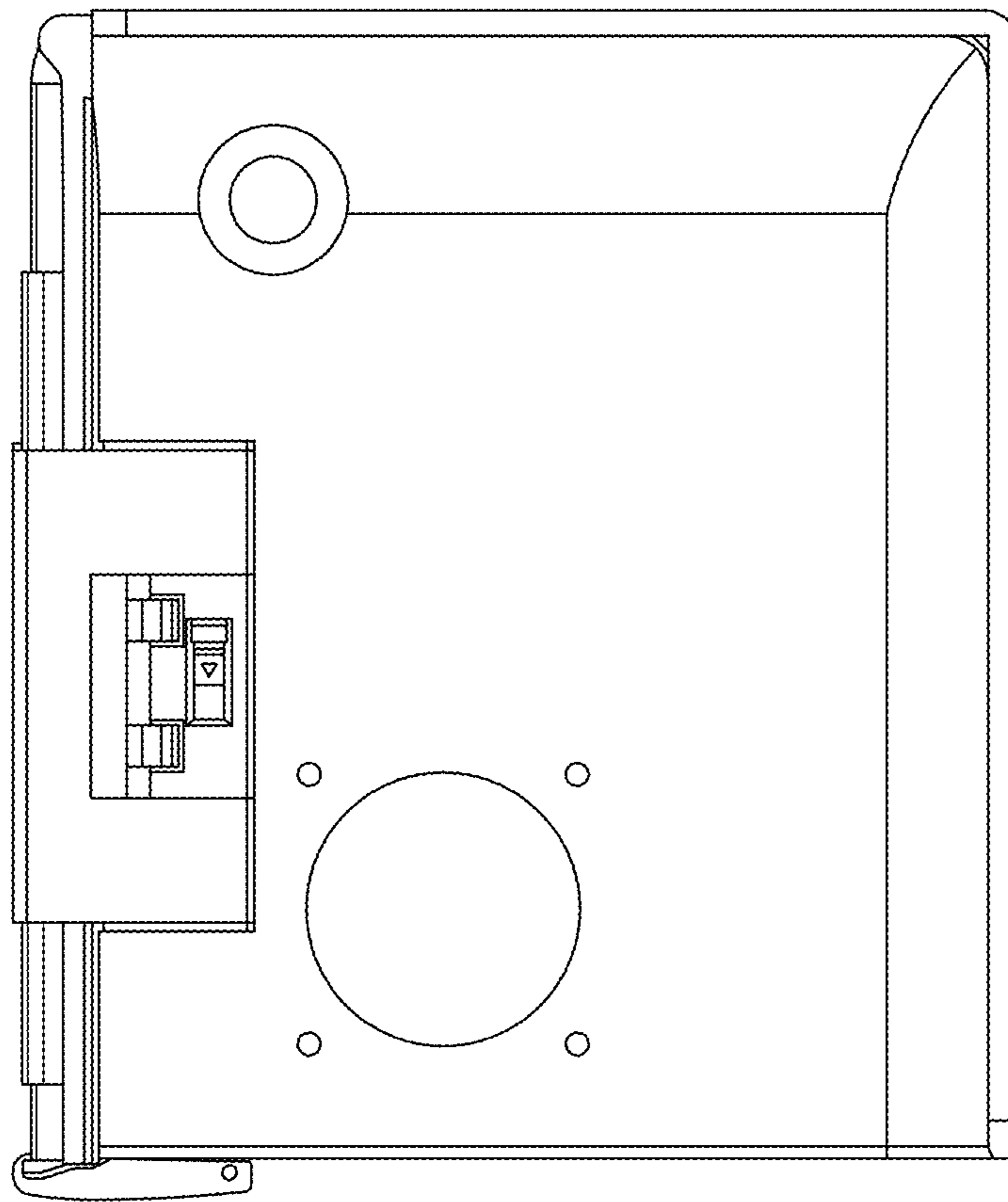


FIG. 3

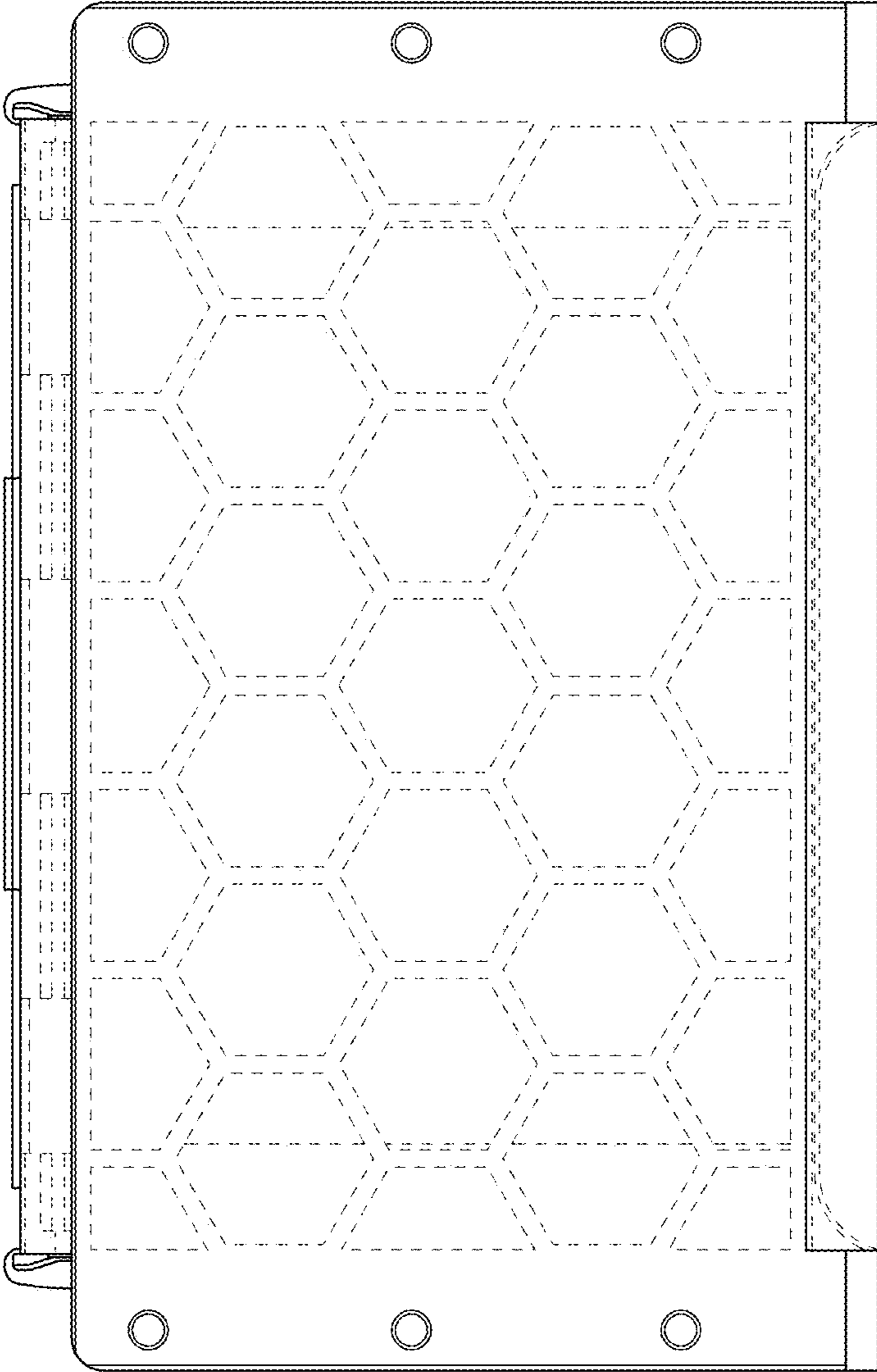


FIG. 4

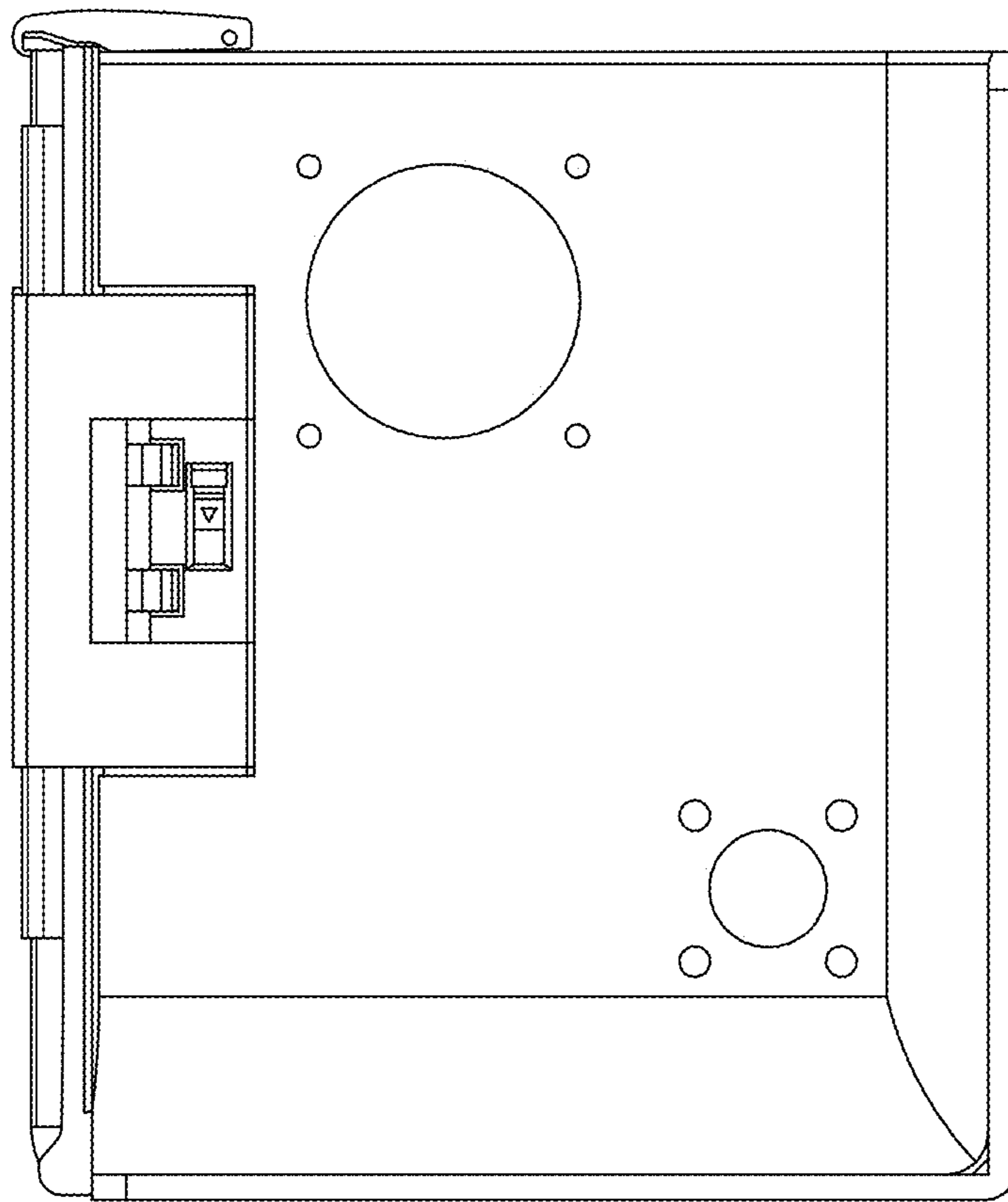


FIG. 5

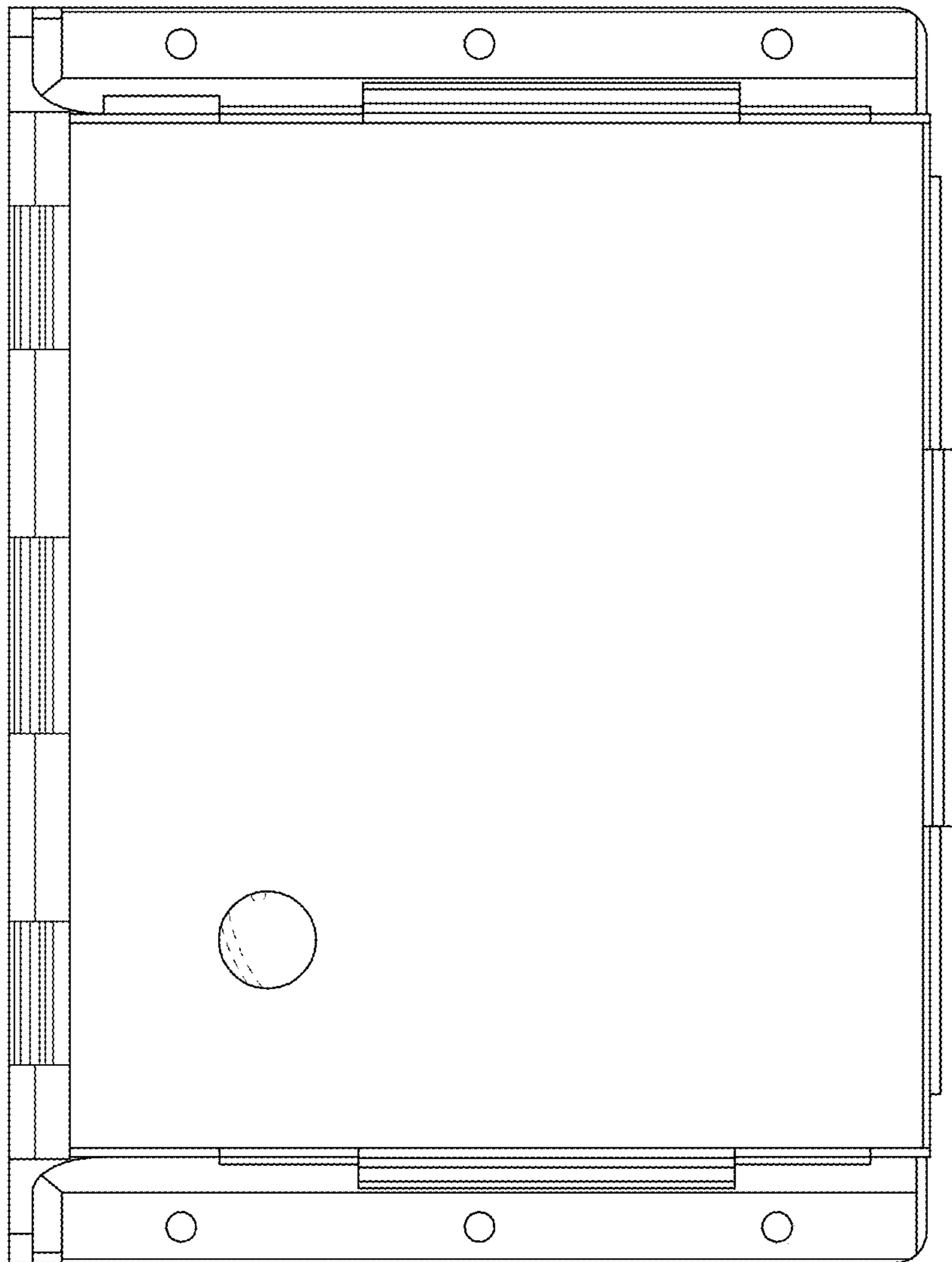


FIG. 6

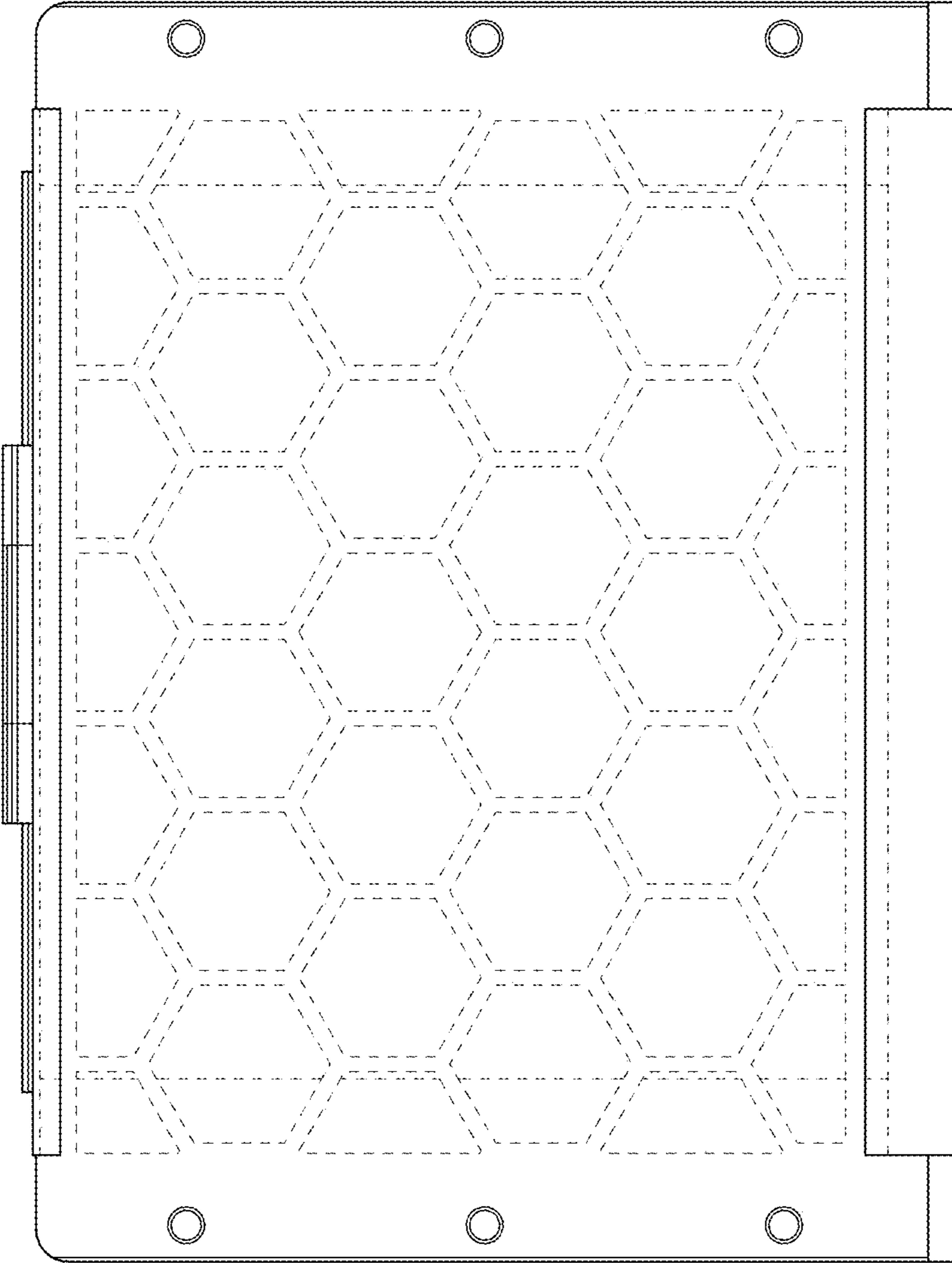


FIG. 7

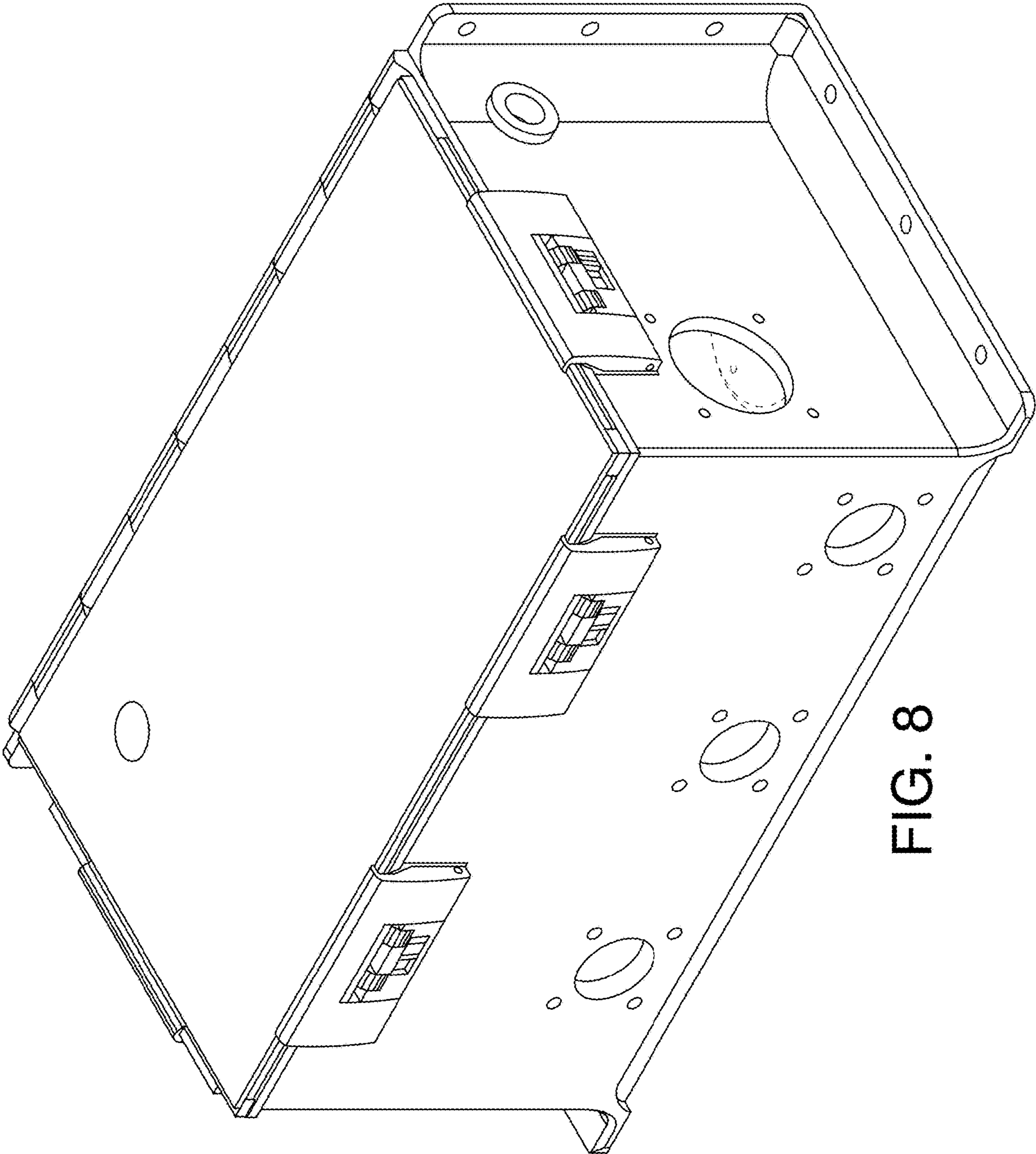


FIG. 8

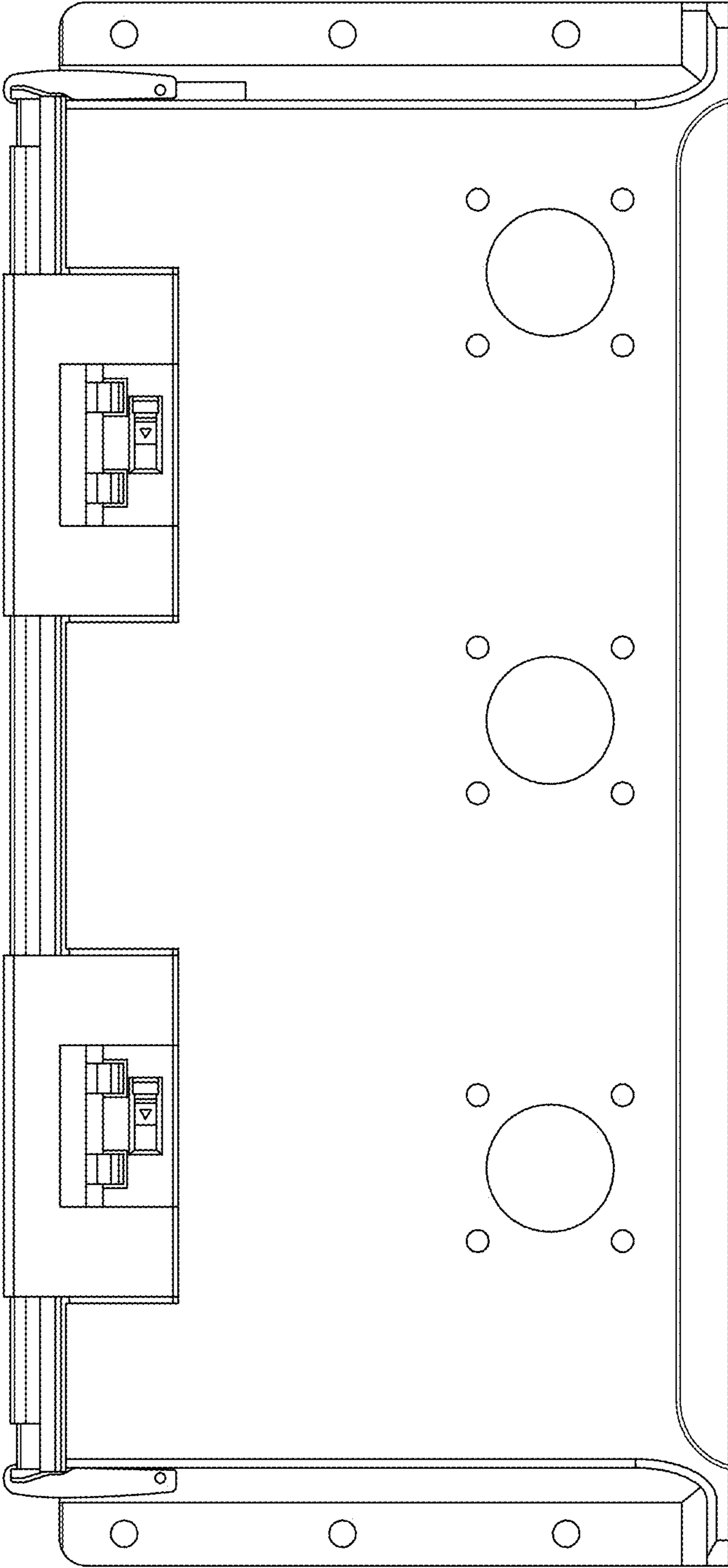


FIG. 9

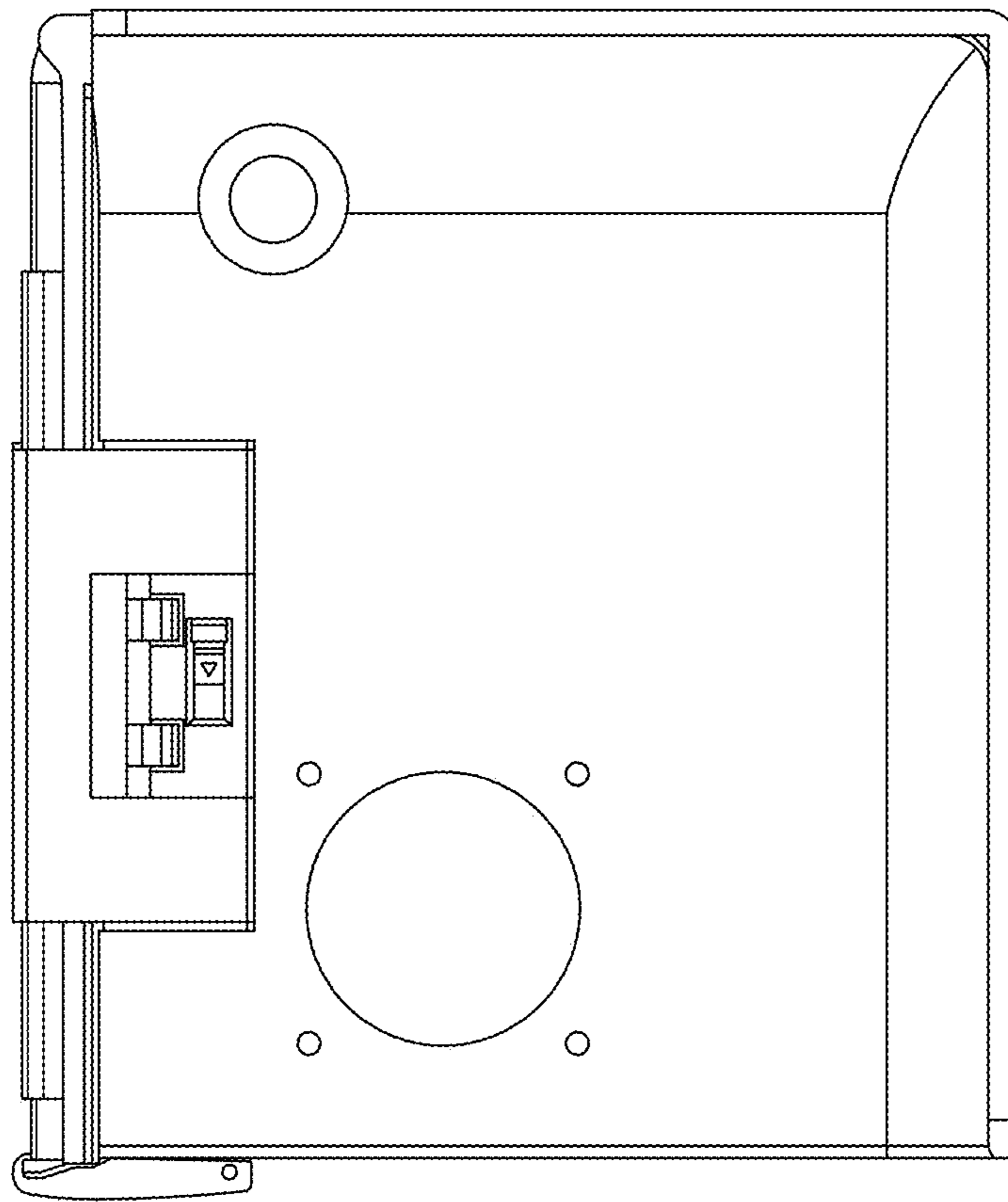


FIG. 10

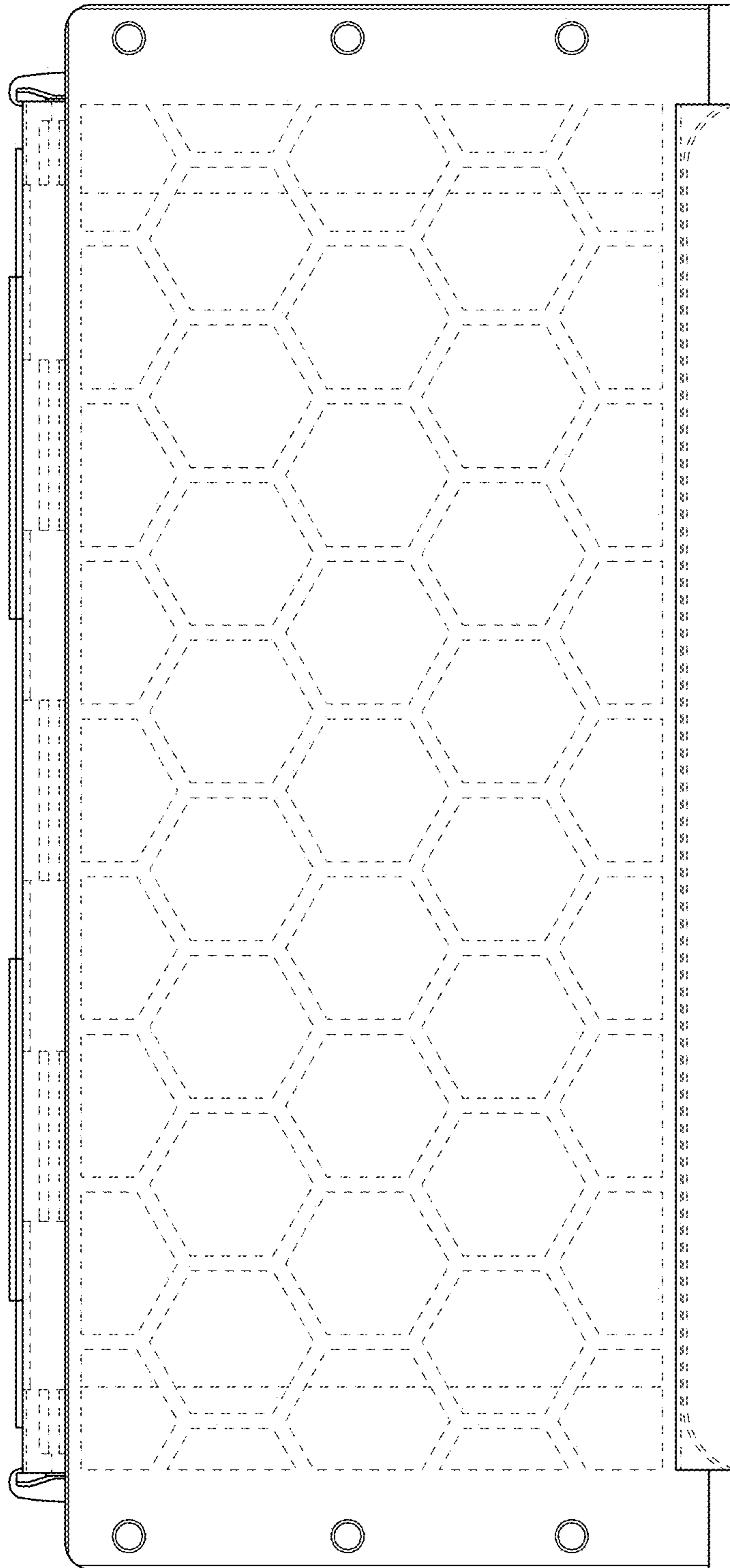


FIG. 11

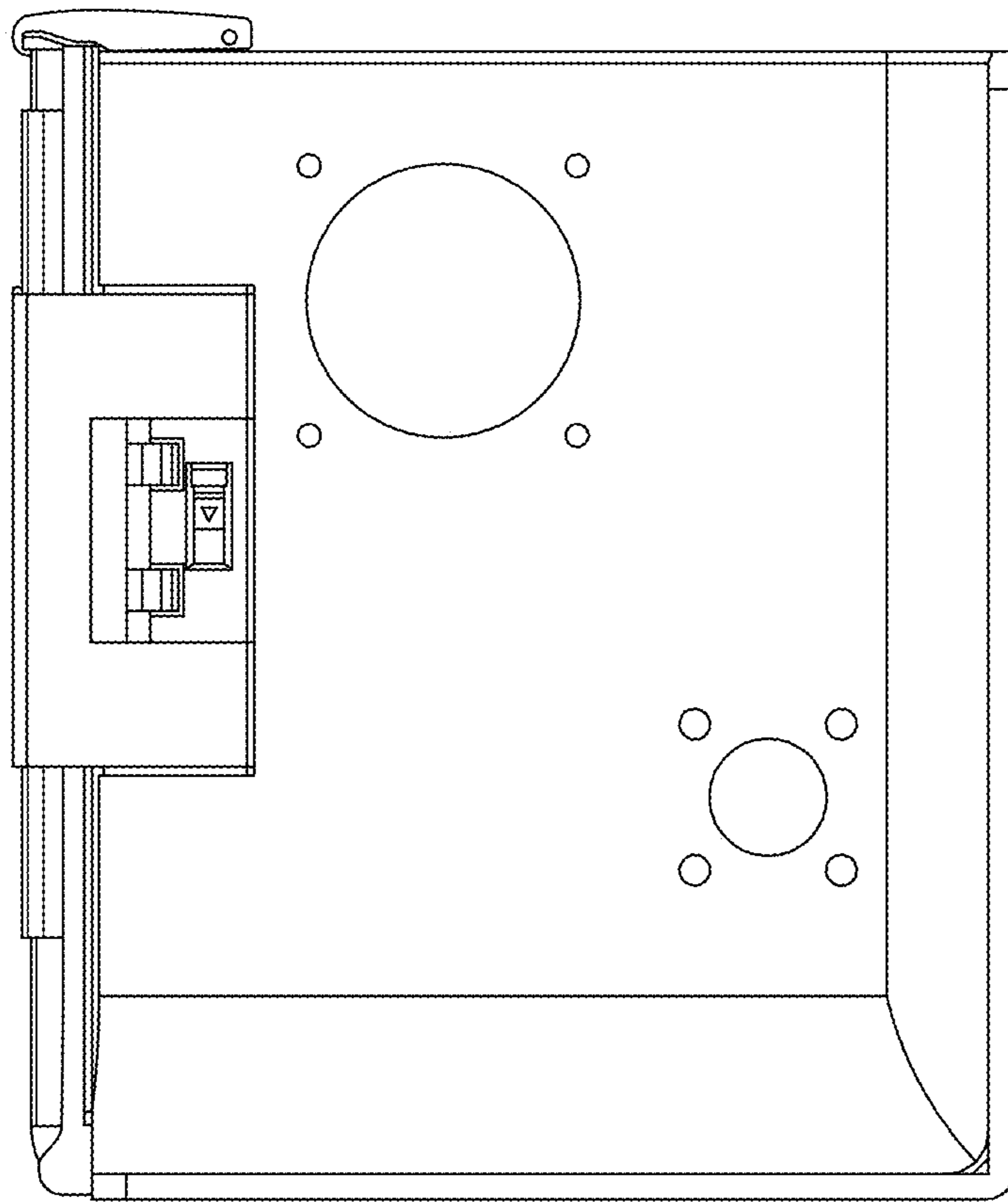


FIG. 12

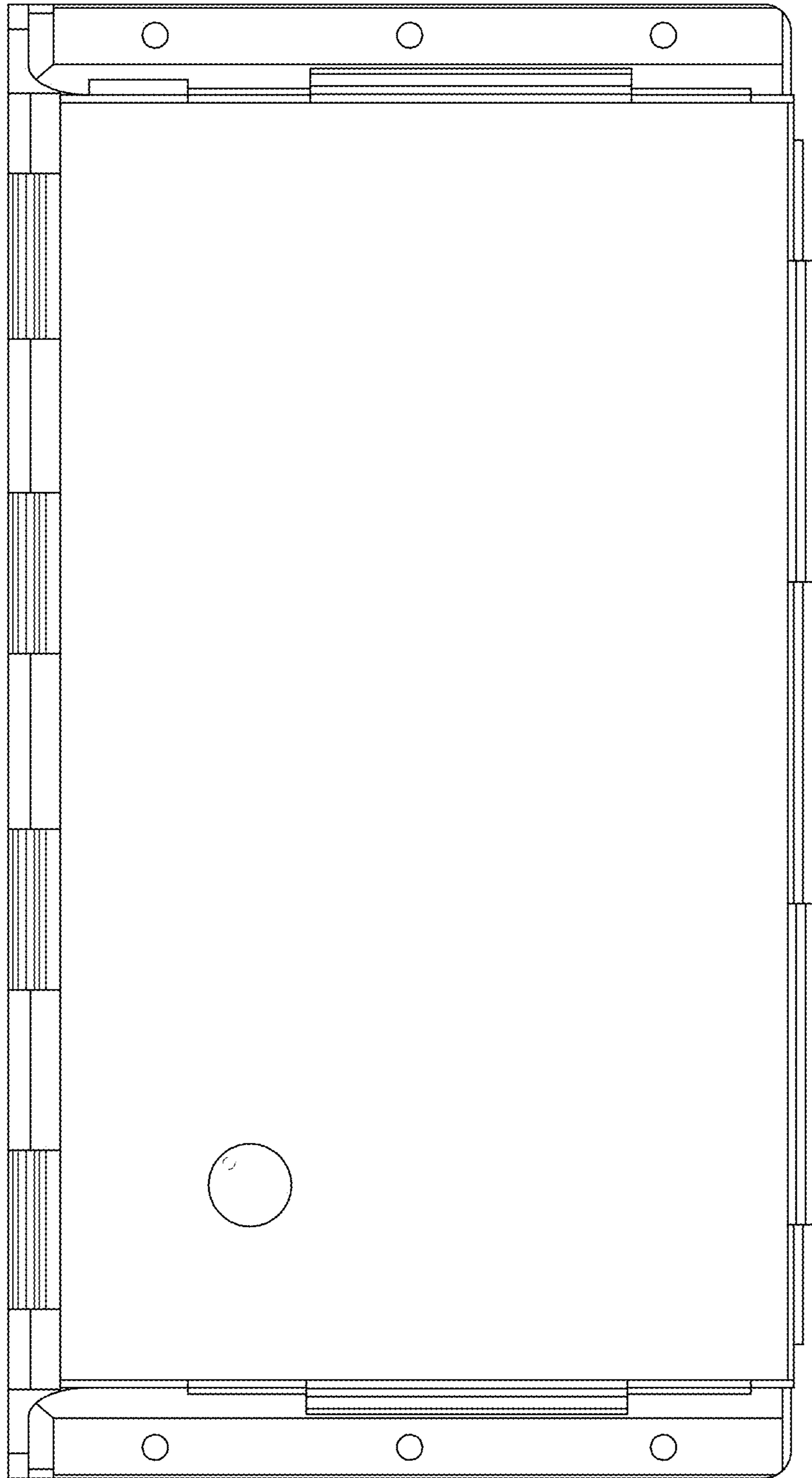


FIG. 13

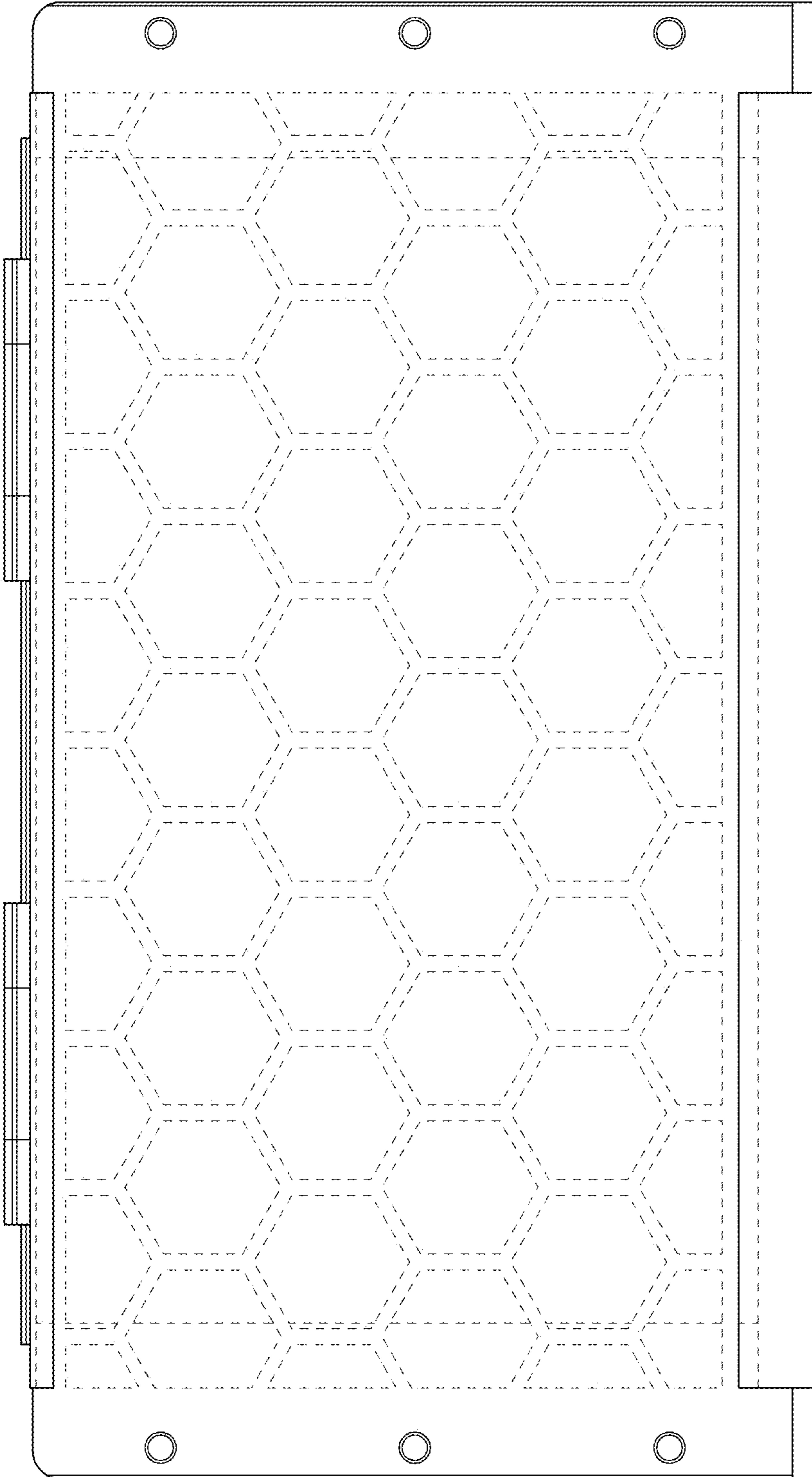


FIG. 14

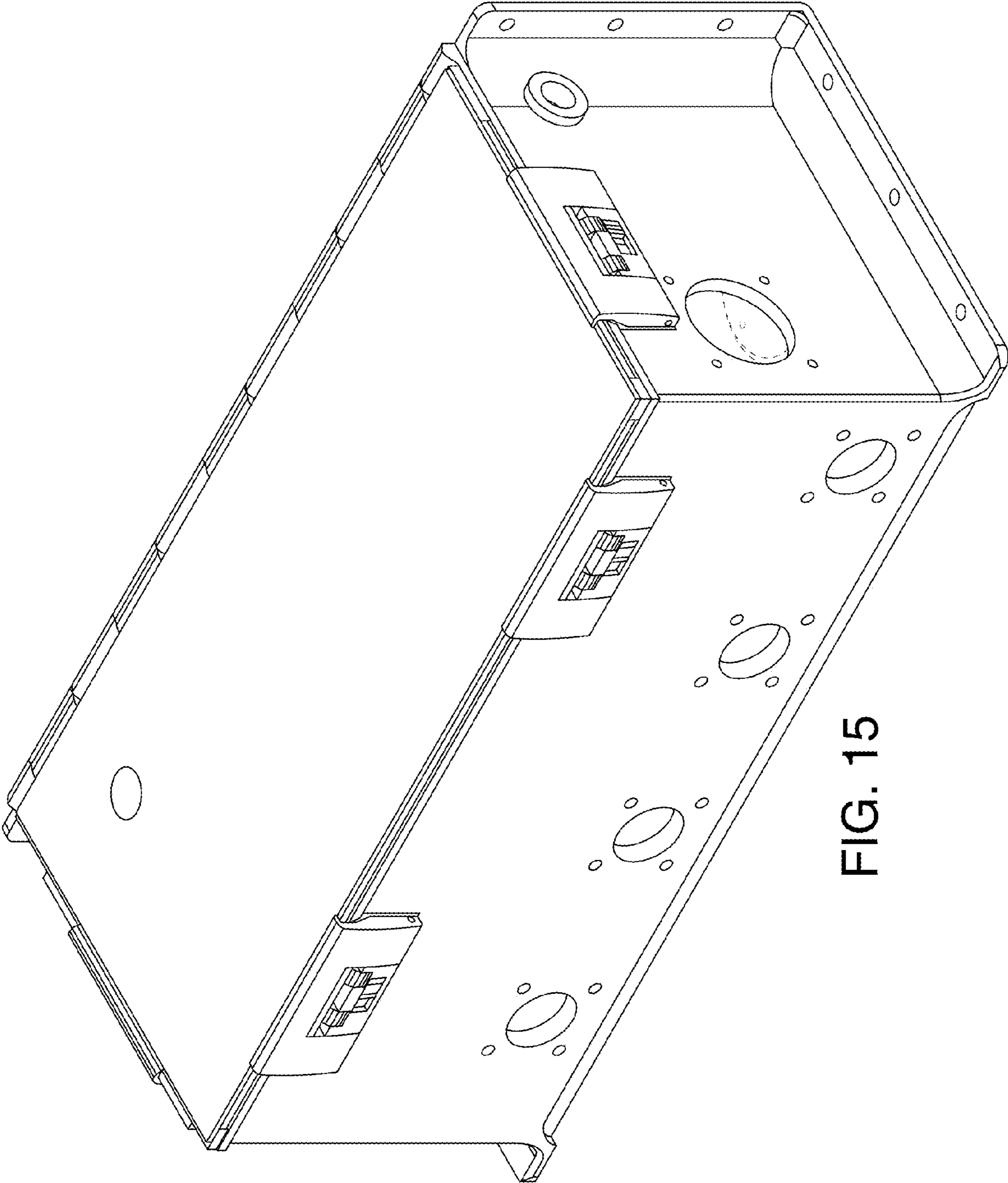


FIG. 15

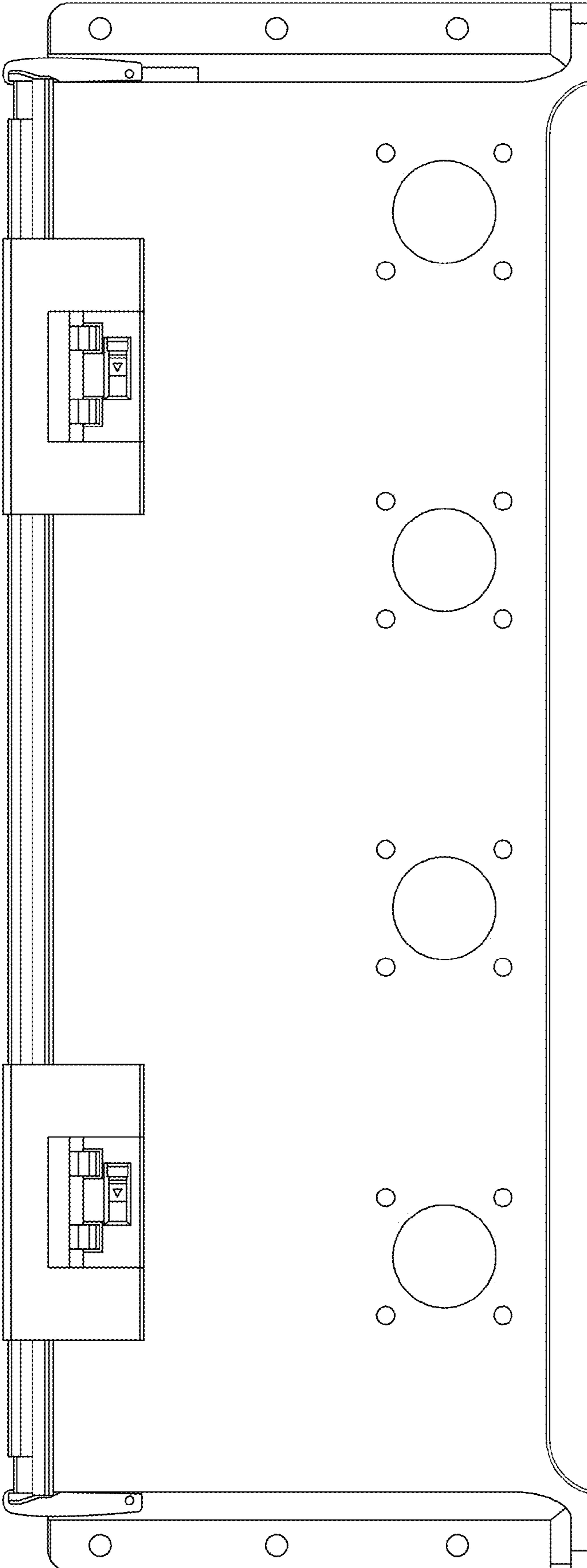


FIG. 16

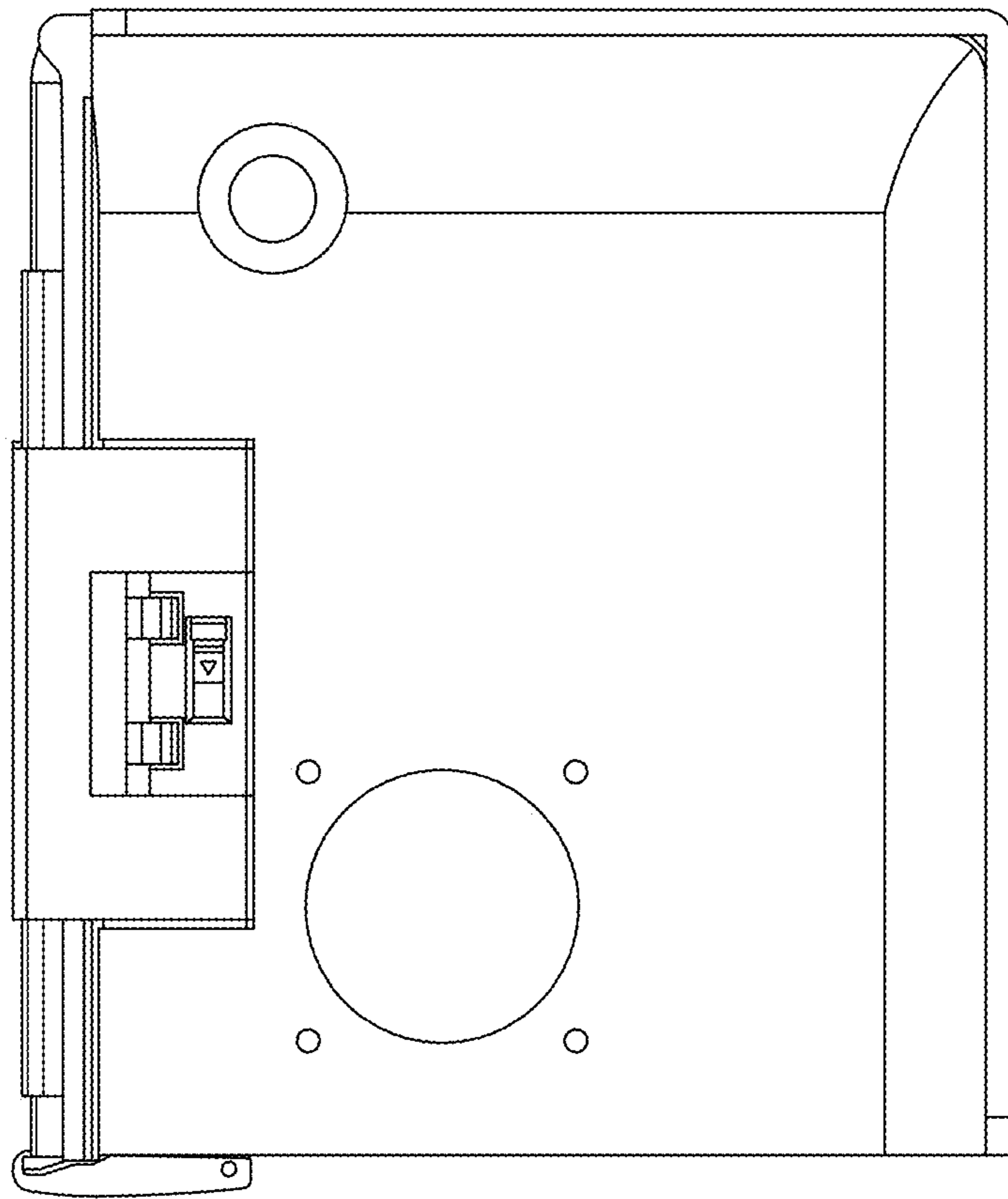


FIG. 17

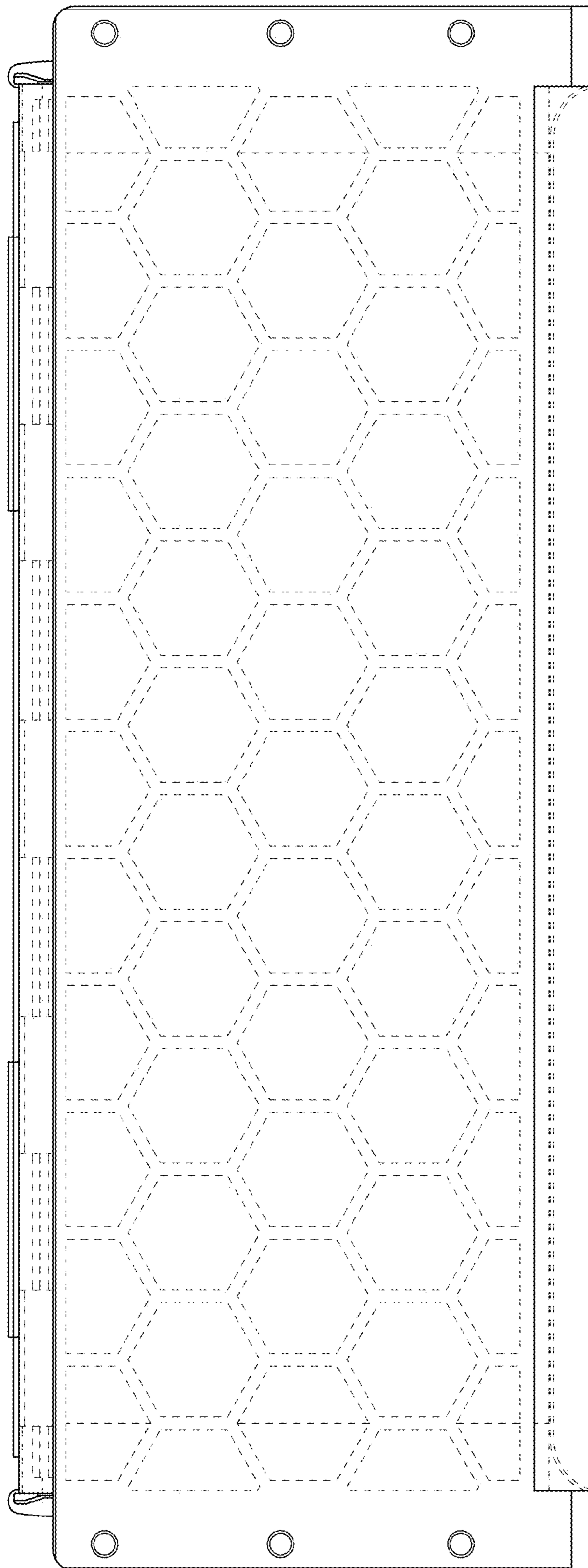


FIG. 18

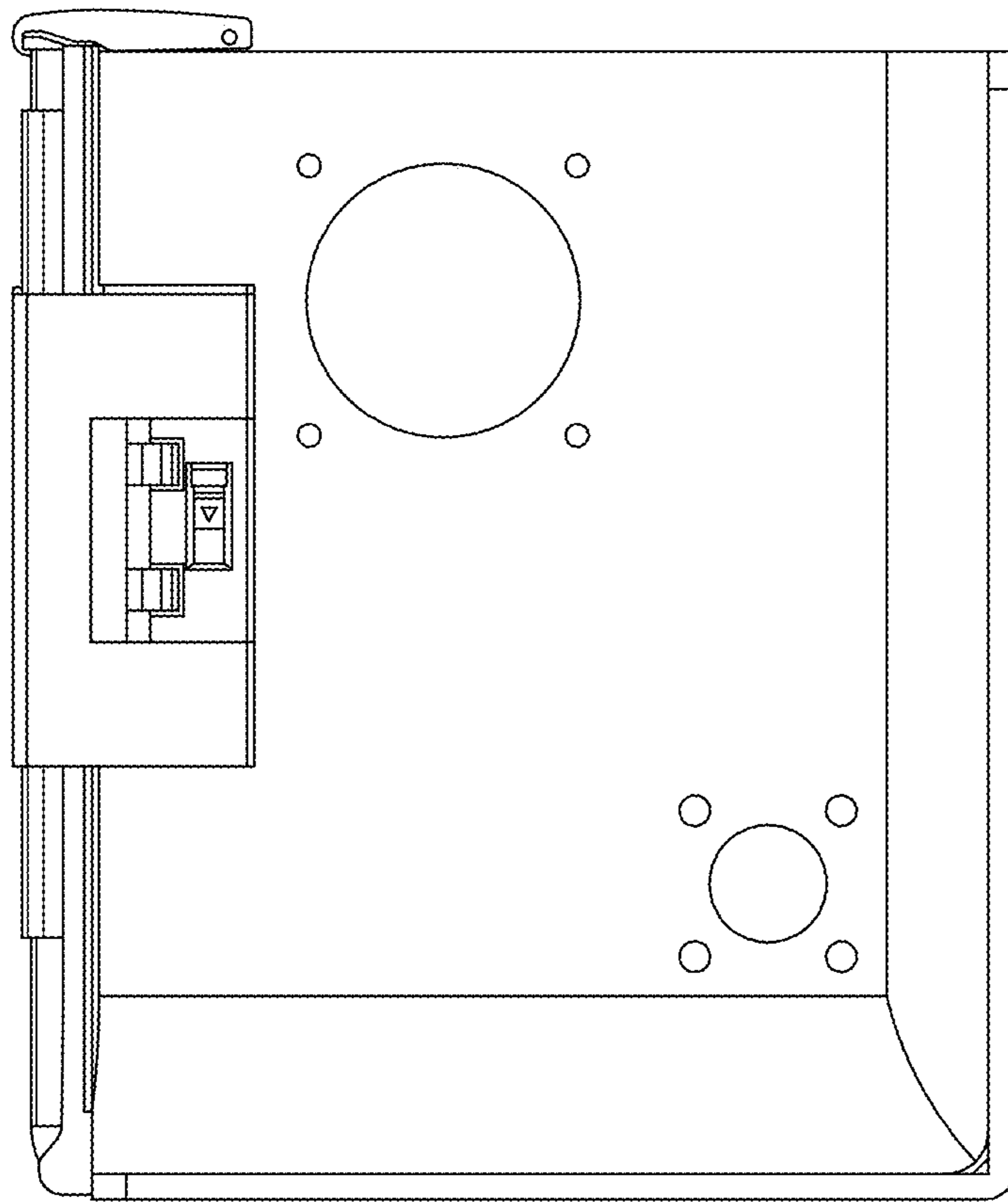


FIG. 19

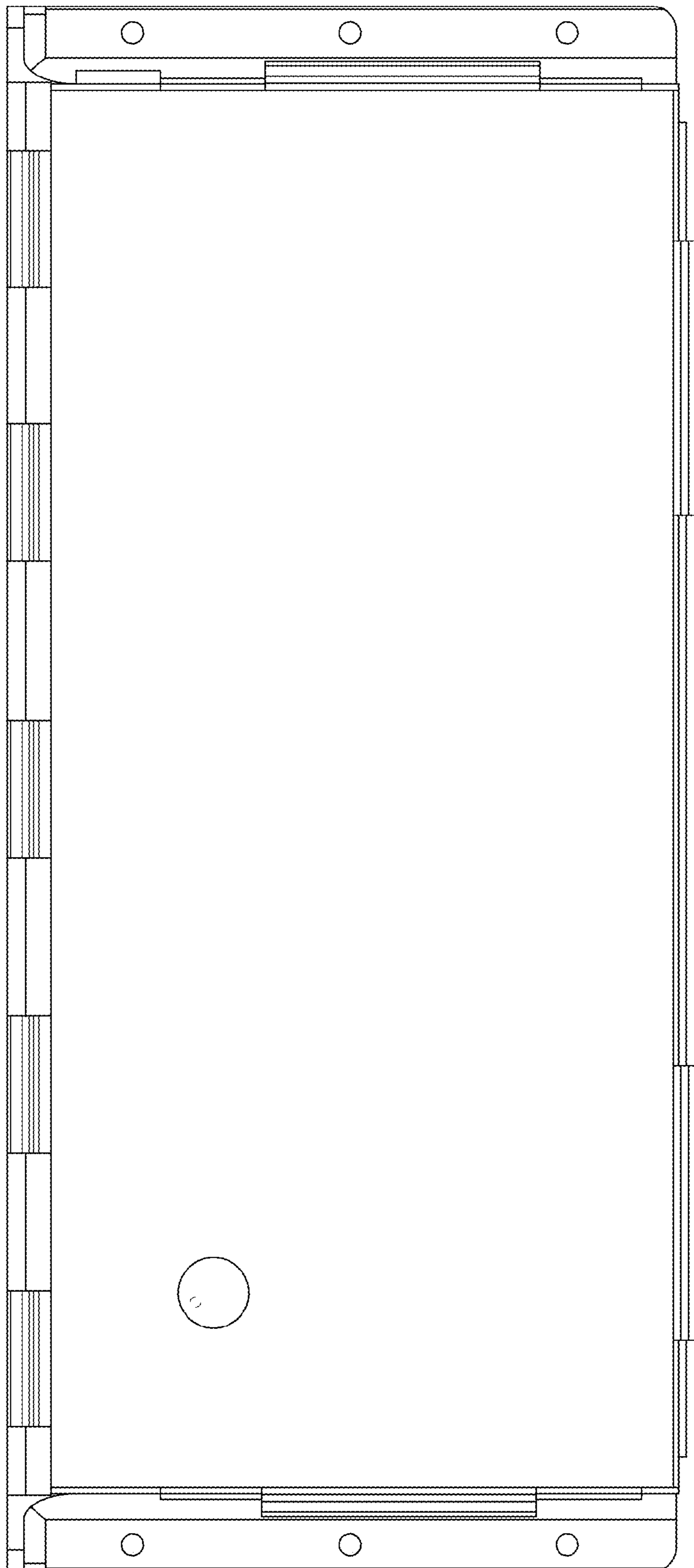


FIG. 20

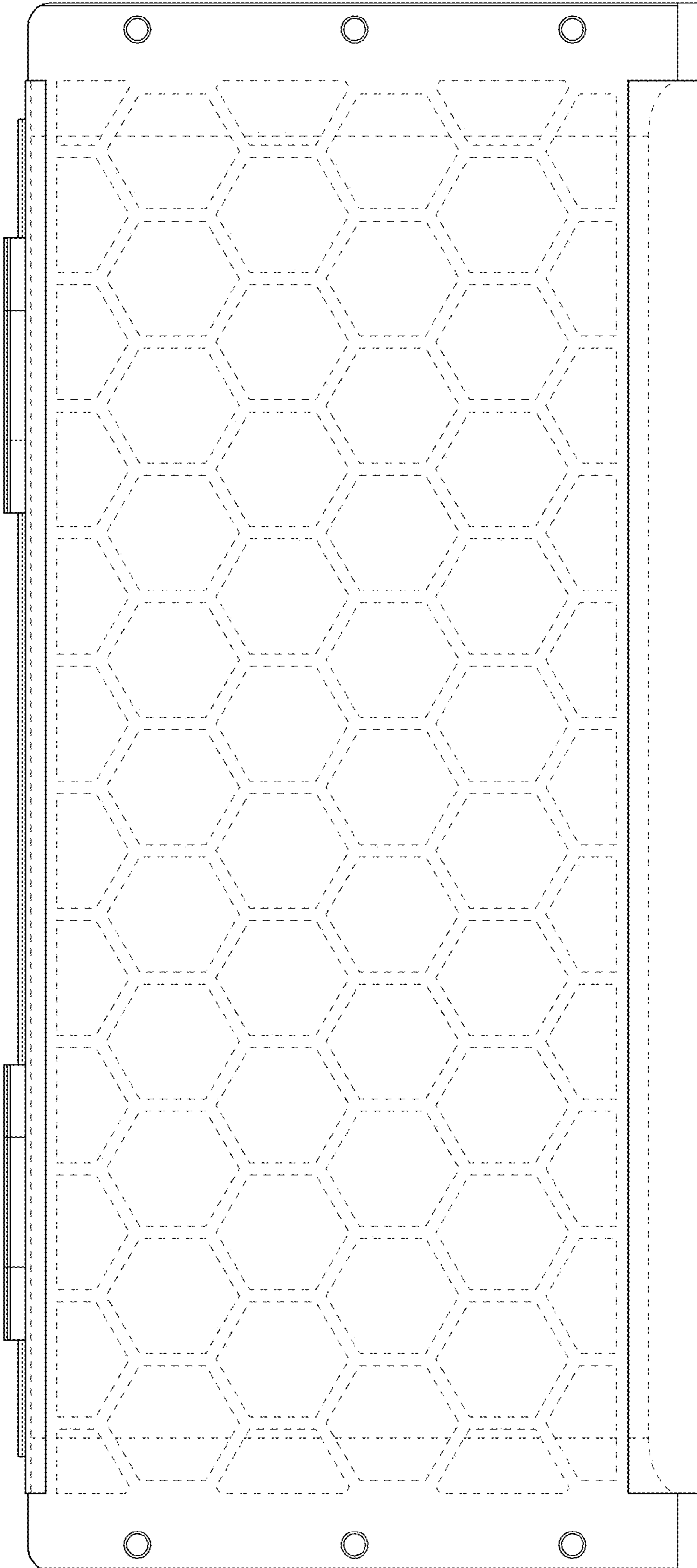


FIG. 21