



US00D979480S

(12) **United States Design Patent**  
**Huang et al.**

(10) **Patent No.:** **US D979,480 S**

(45) **Date of Patent:** **\*\* Feb. 28, 2023**

- (54) **UNDERWATER SCOOTER**
- (71) Applicant: **SHENZHEN GENEINNO TECHNOLOGY COMPANY LTD,**  
Shenzhen (CN)
- (72) Inventors: **Junping Huang,** Shenzhen (CN); **Lin Li,** Shenzhen (CN)
- (73) Assignee: **SHENZHEN GENEINNO TECHNOLOGY COMPANY LTD,**  
Shenzhen (CN)
- (\*\*) Term: **15 Years**
- (21) Appl. No.: **29/806,911**
- (22) Filed: **Sep. 8, 2021**
- (30) **Foreign Application Priority Data**  
Apr. 28, 2021 (CN) ..... 202130251734.8
- (51) **LOC (14) Cl.** ..... **12-06**
- (52) **U.S. Cl.**  
USPC ..... **D12/308**
- (58) **Field of Classification Search**  
USPC ..... D12/300, 308, 317; D21/424, 545  
CPC ..... B63C 11/00; B63C 11/02; B63C 11/36;  
B63C 11/46; B63C 11/48; B63C 11/49;  
B63C 2011/028; B63G 8/001; B63G  
8/00; B63B 1/107; B63B 3/13  
See application file for complete search history.
- (56) **References Cited**  
**U.S. PATENT DOCUMENTS**  
D789,867 S \* 6/2017 Walpurgis ..... B63C 11/46  
D12/308  
D937,179 S \* 11/2021 Guild ..... D12/308

- D941,225 S \* 1/2022 Kojima ..... B63C 11/46  
D12/308
- D956,158 S \* 6/2022 Klages ..... A63B 71/0622  
D21/810
- D970,423 S \* 11/2022 Wei ..... B60L 50/64  
D12/308
- 2015/0353175 A1\* 12/2015 Walpurgis ..... B60L 50/64  
114/315
- 2021/0129959 A1\* 5/2021 Walpurgis ..... A63B 71/0622

\* cited by examiner

*Primary Examiner* — Joseph Kukella  
*Assistant Examiner* — Lavon M. Amerson

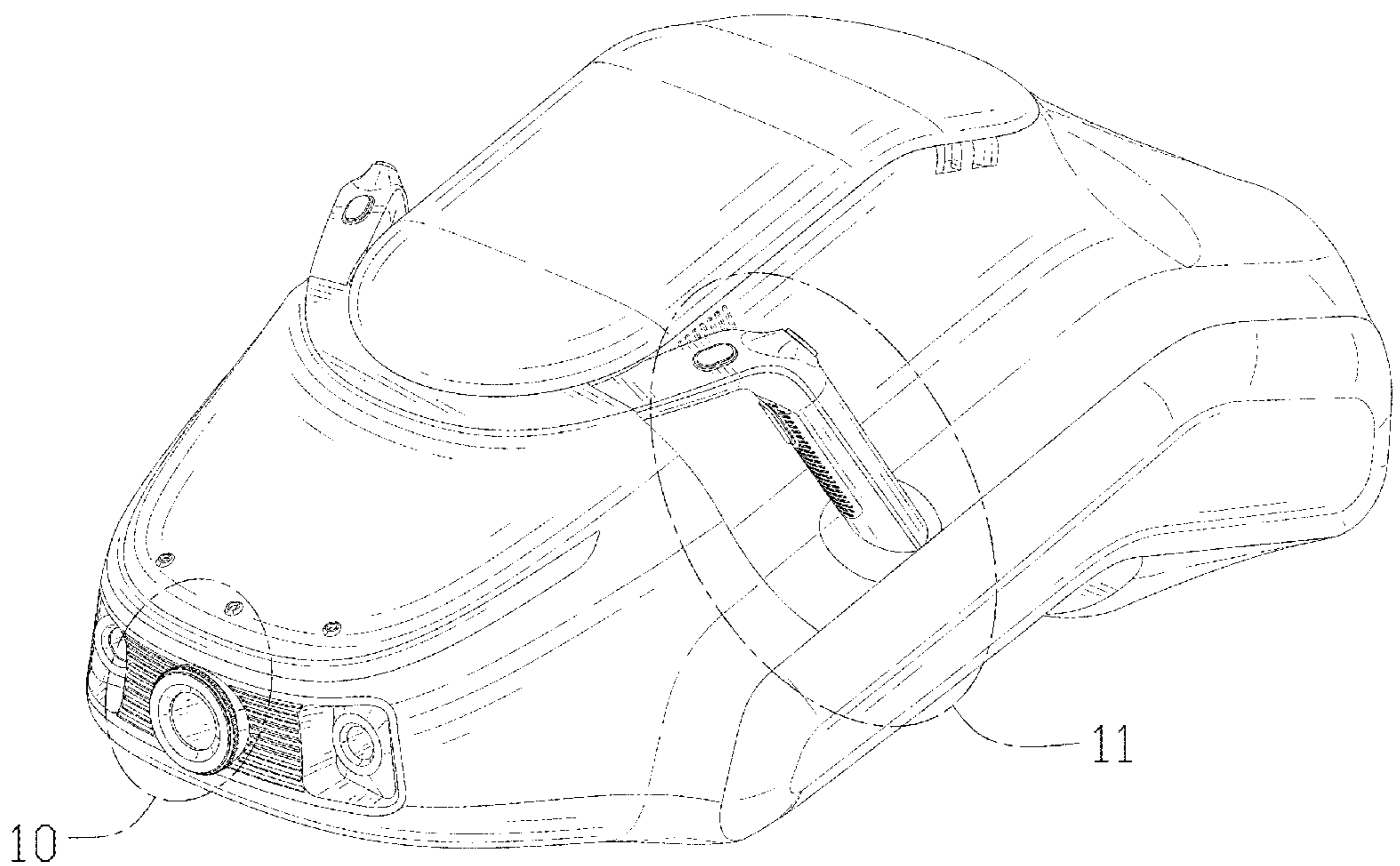
(57) **CLAIM**

The ornamental design for an underwater scooter, as shown and described.

**DESCRIPTION**

FIG. 1 is a perspective view of an underwater scooter showing our new design;  
 FIG. 2 is another perspective view thereof;  
 FIG. 3 is another perspective view thereof;  
 FIG. 4 is a front elevational view thereof;  
 FIG. 5 is a rear elevational view thereof;  
 FIG. 6 is a left side elevational view thereof;  
 FIG. 7 is a right side elevational view thereof;  
 FIG. 8 is a top plan view thereof;  
 FIG. 9 is a bottom plan view thereof;  
 FIG. 10 is an enlarged view of portion 10 shown in FIG. 1;  
 FIG. 11 is an enlarged view of portion 11 shown in FIG. 1;  
 and,  
 FIG. 12 is an enlarged view of portion 12 shown in FIG. 7.  
 The dash-dash broken lines in the drawings depict portions of the underwater scooter that form no part of the claimed design. The dot-dash broken lines represent boundaries of the enlarged portions and form no part of the claimed design.

**1 Claim, 12 Drawing Sheets**



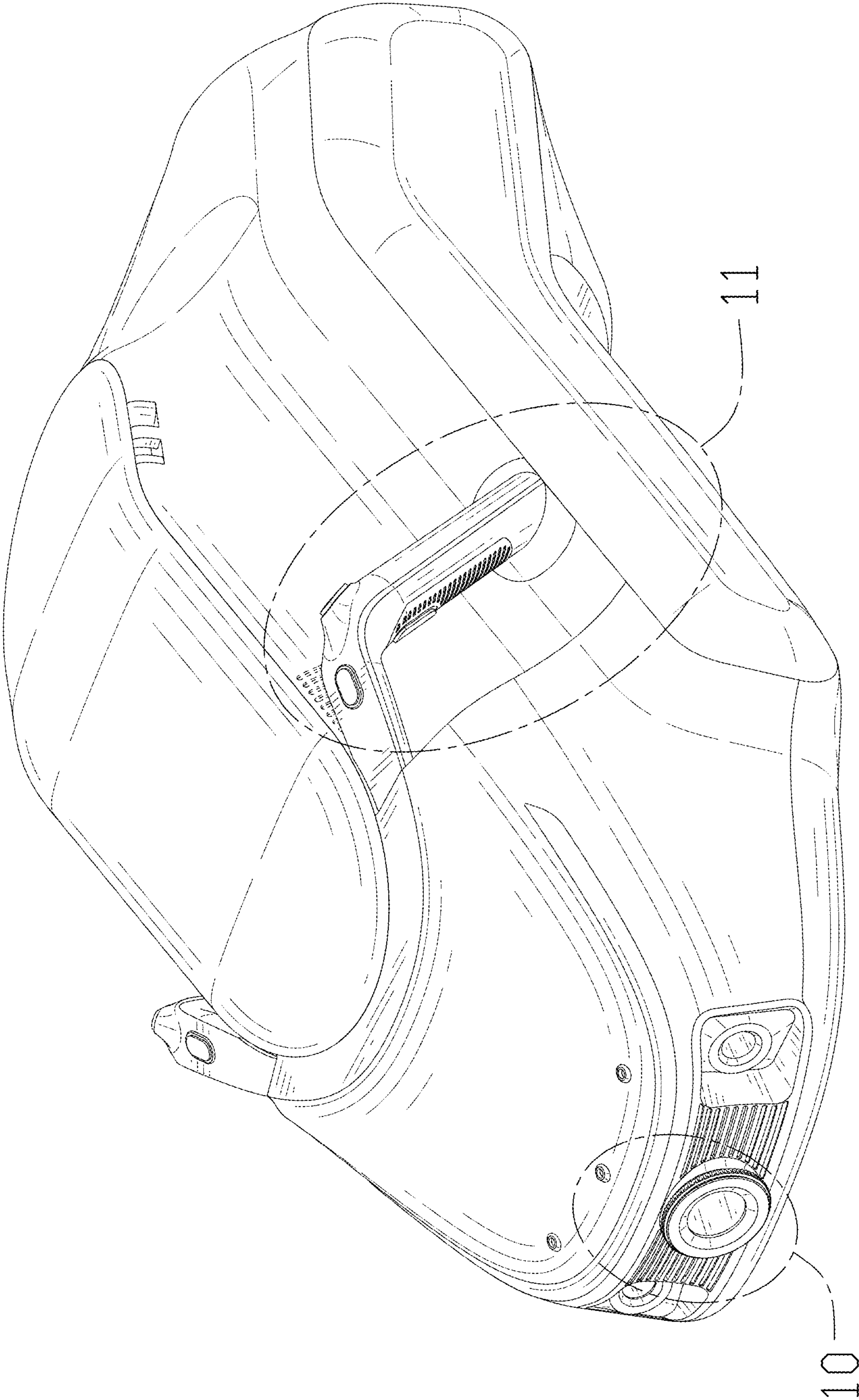


FIG. 1

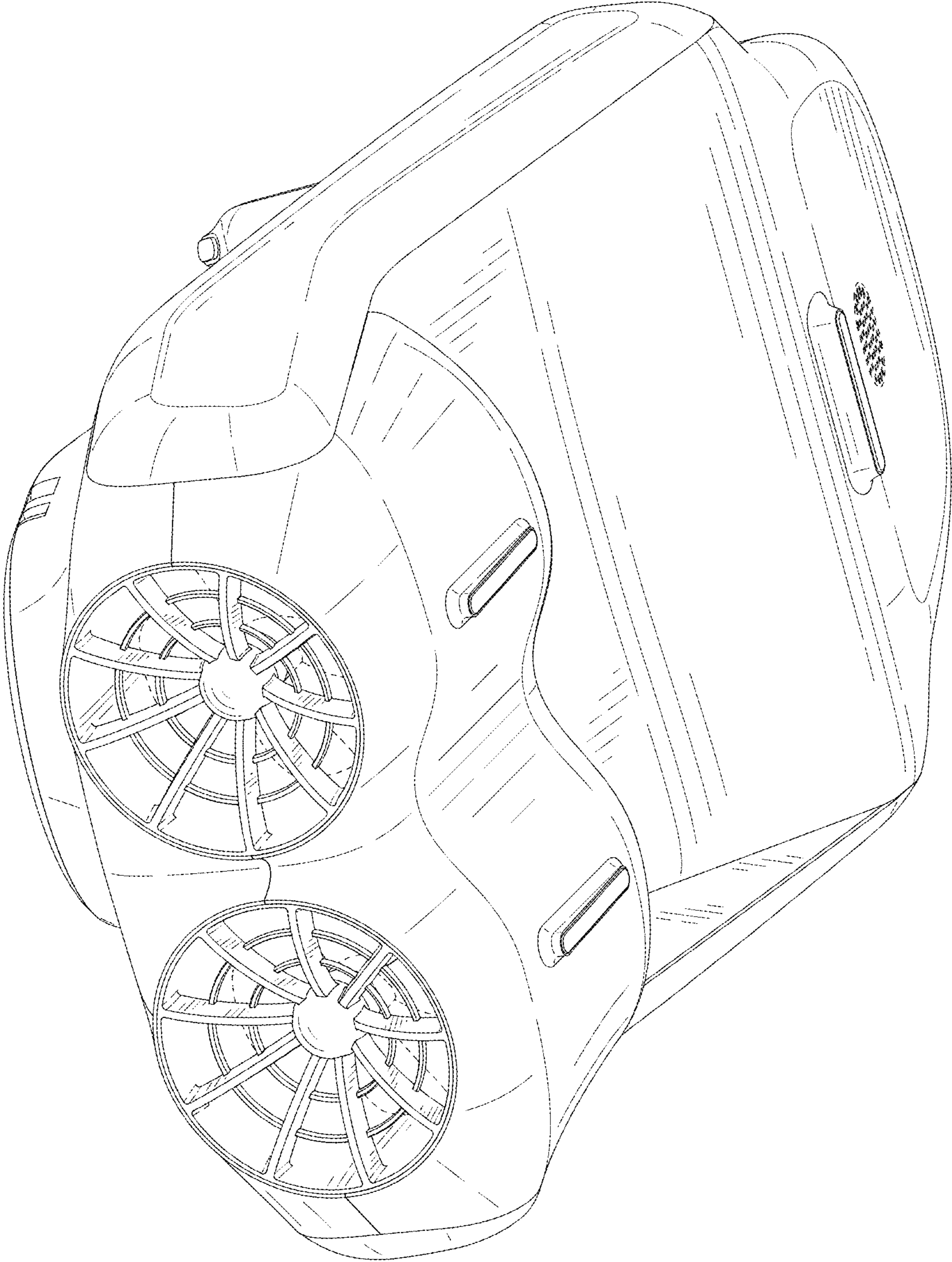


FIG. 2

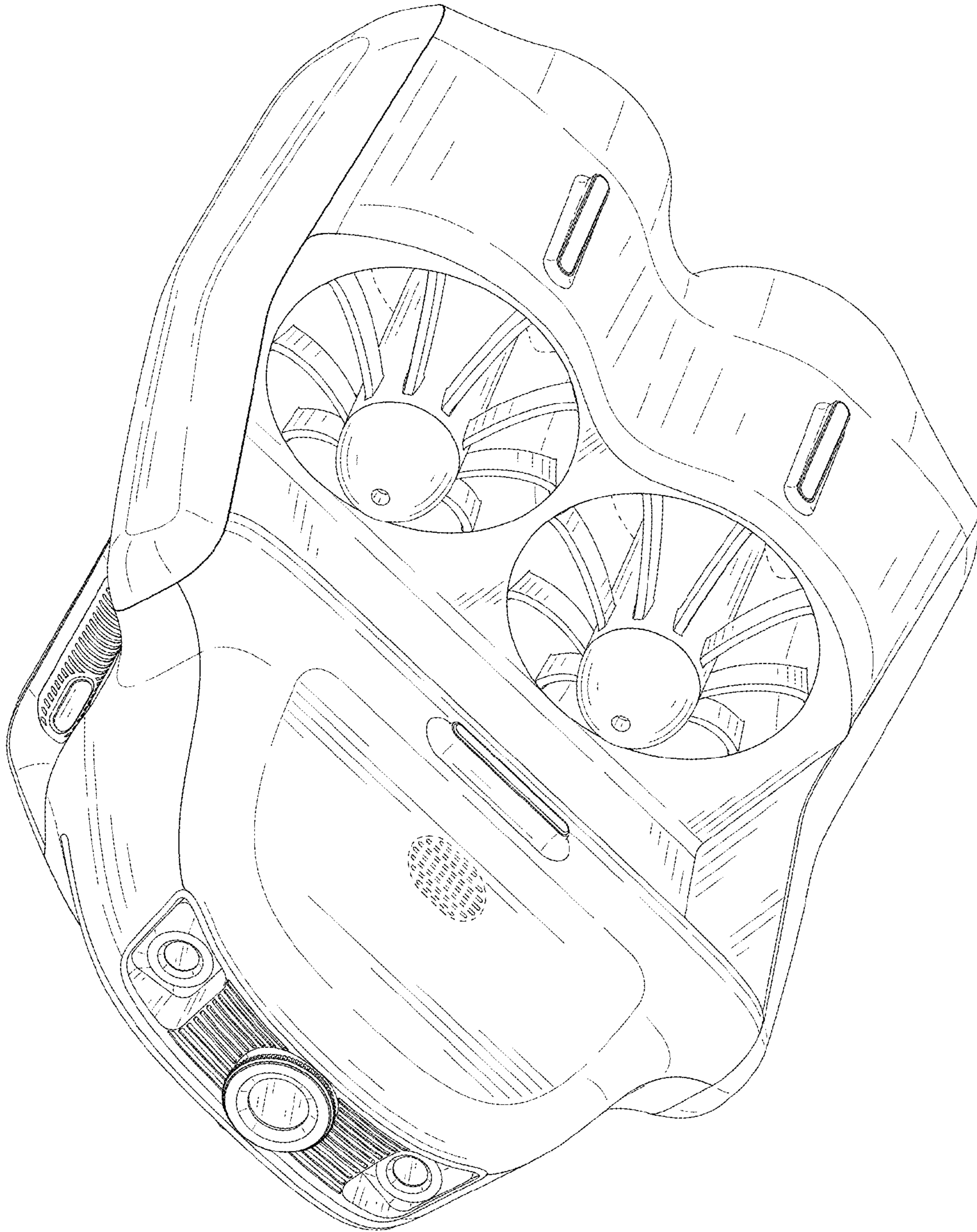


FIG. 3

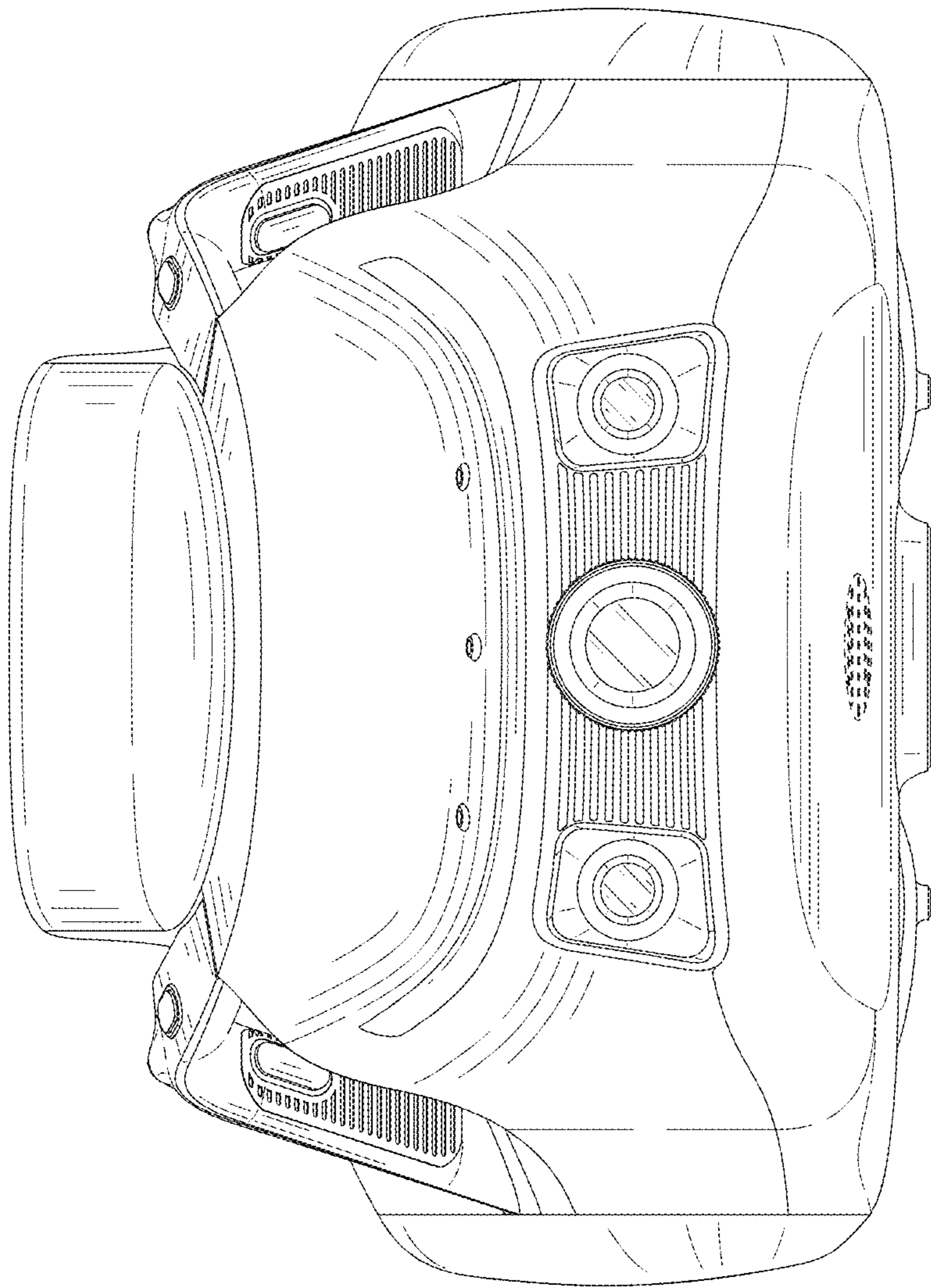


FIG. 4

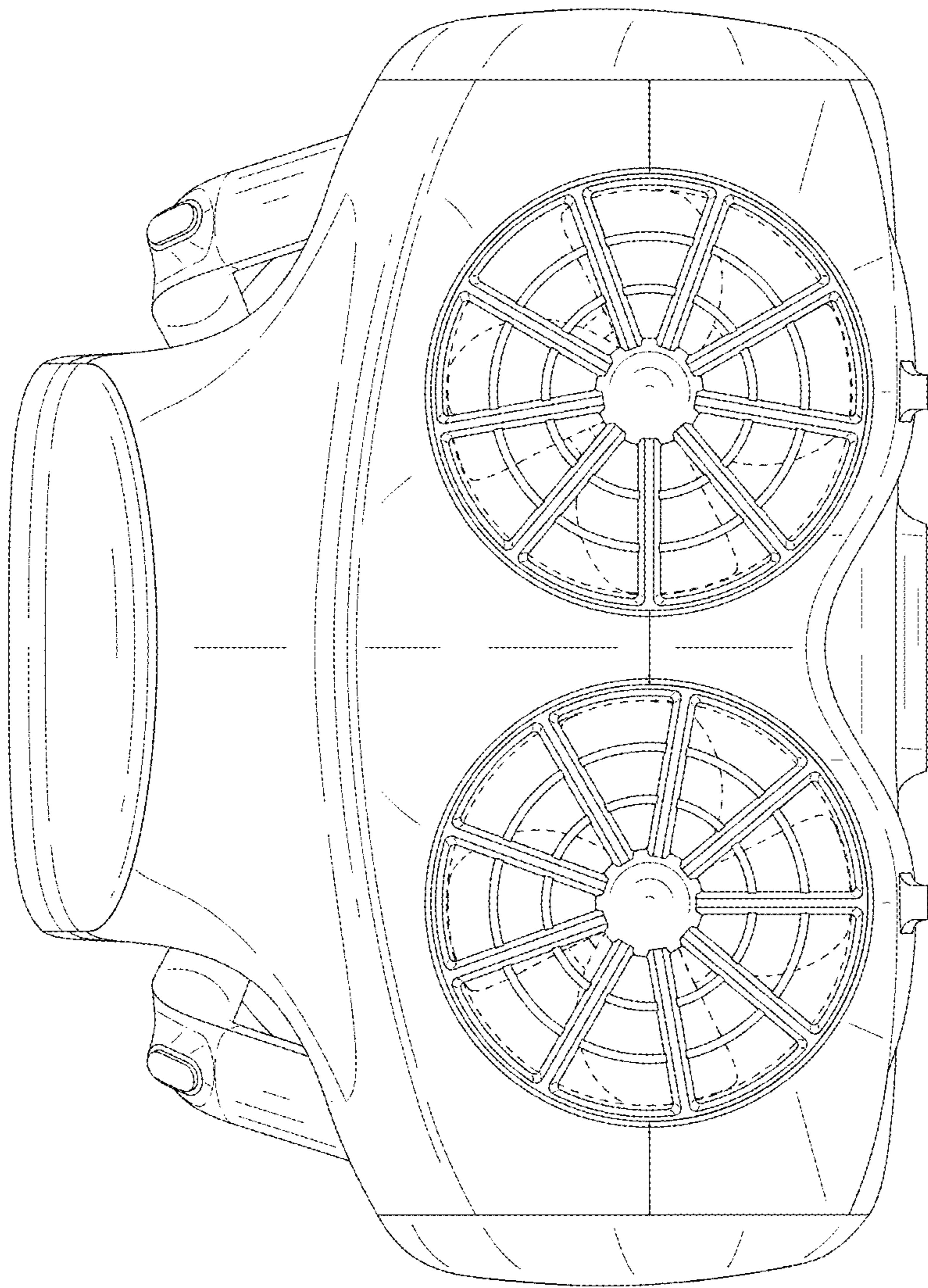


FIG. 5

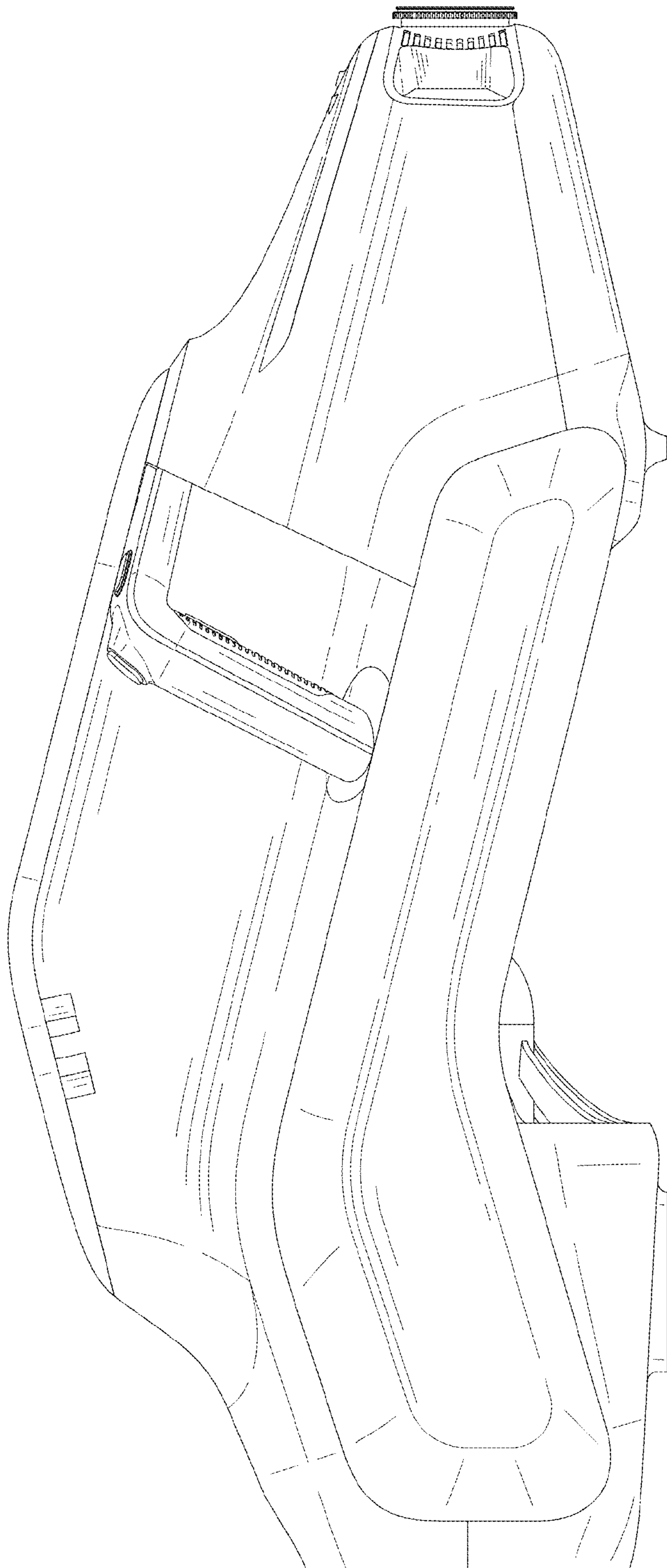


FIG. 6

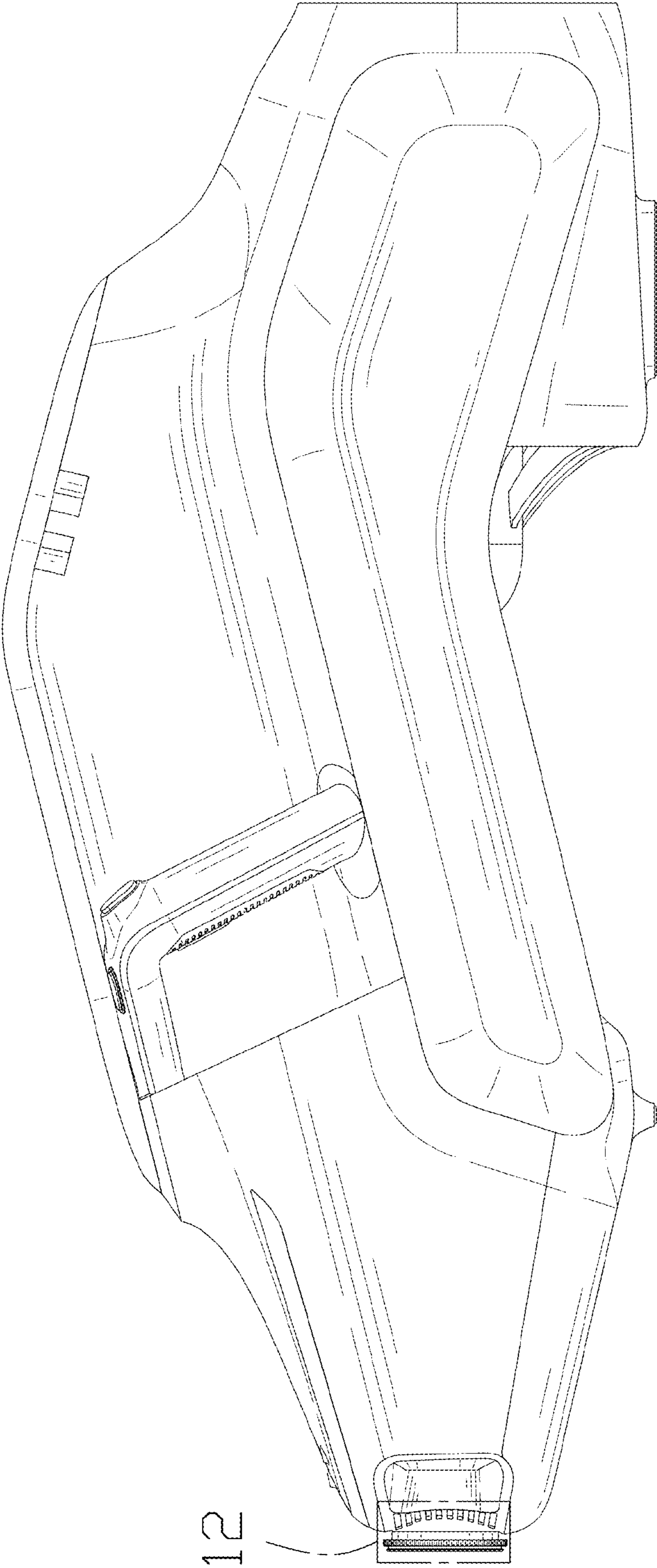


FIG. 7



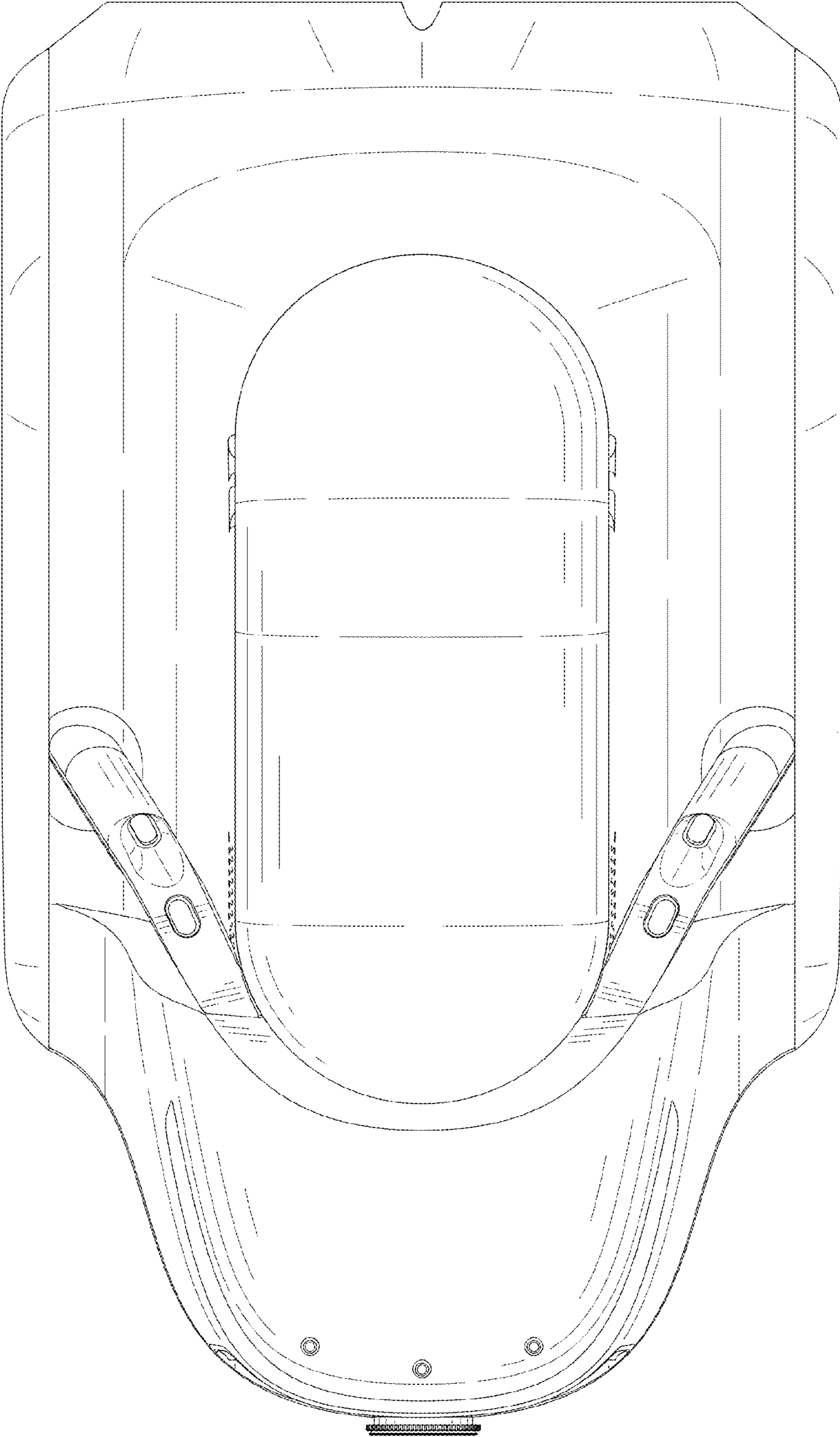


FIG. 8

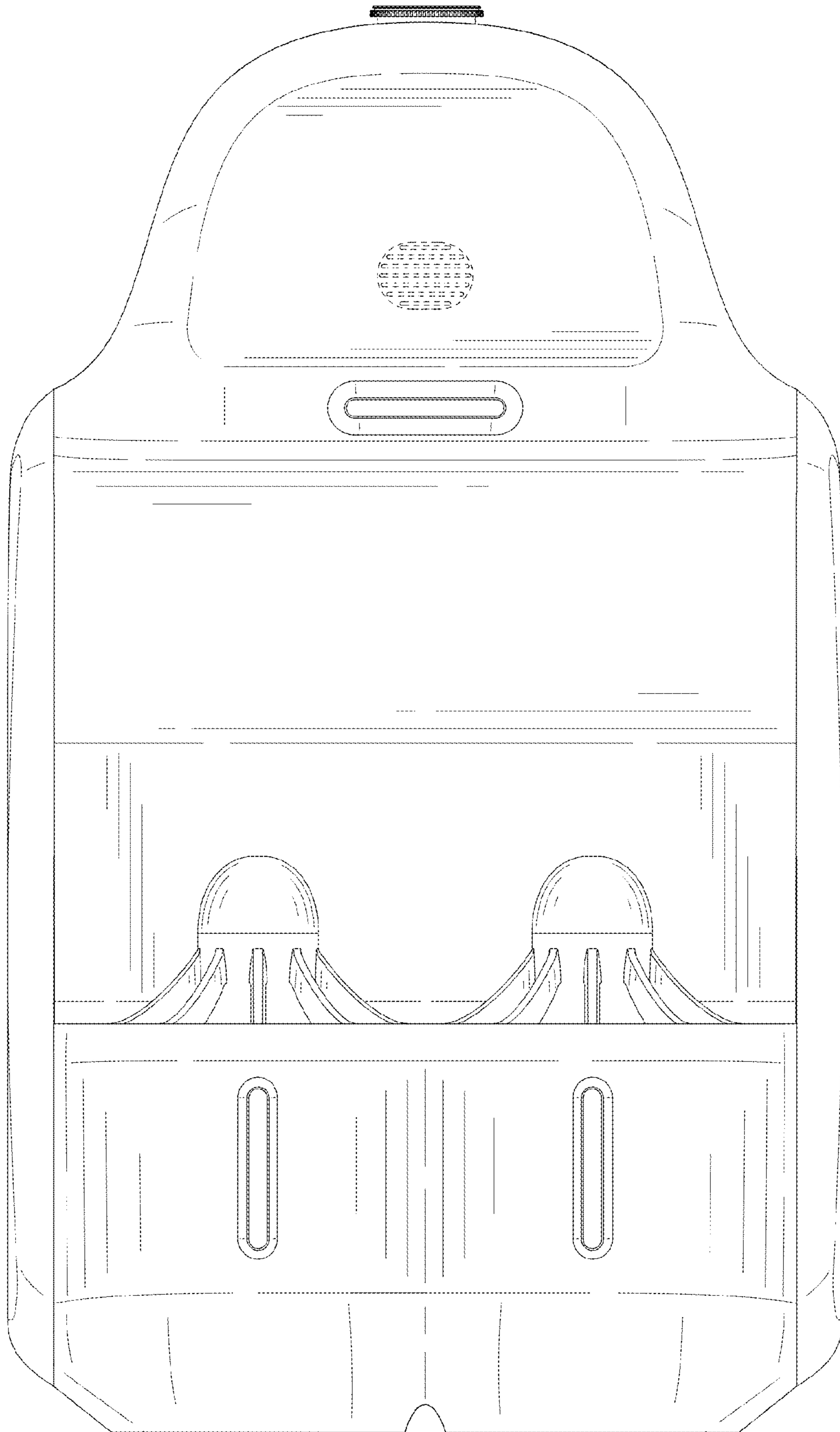


FIG. 9

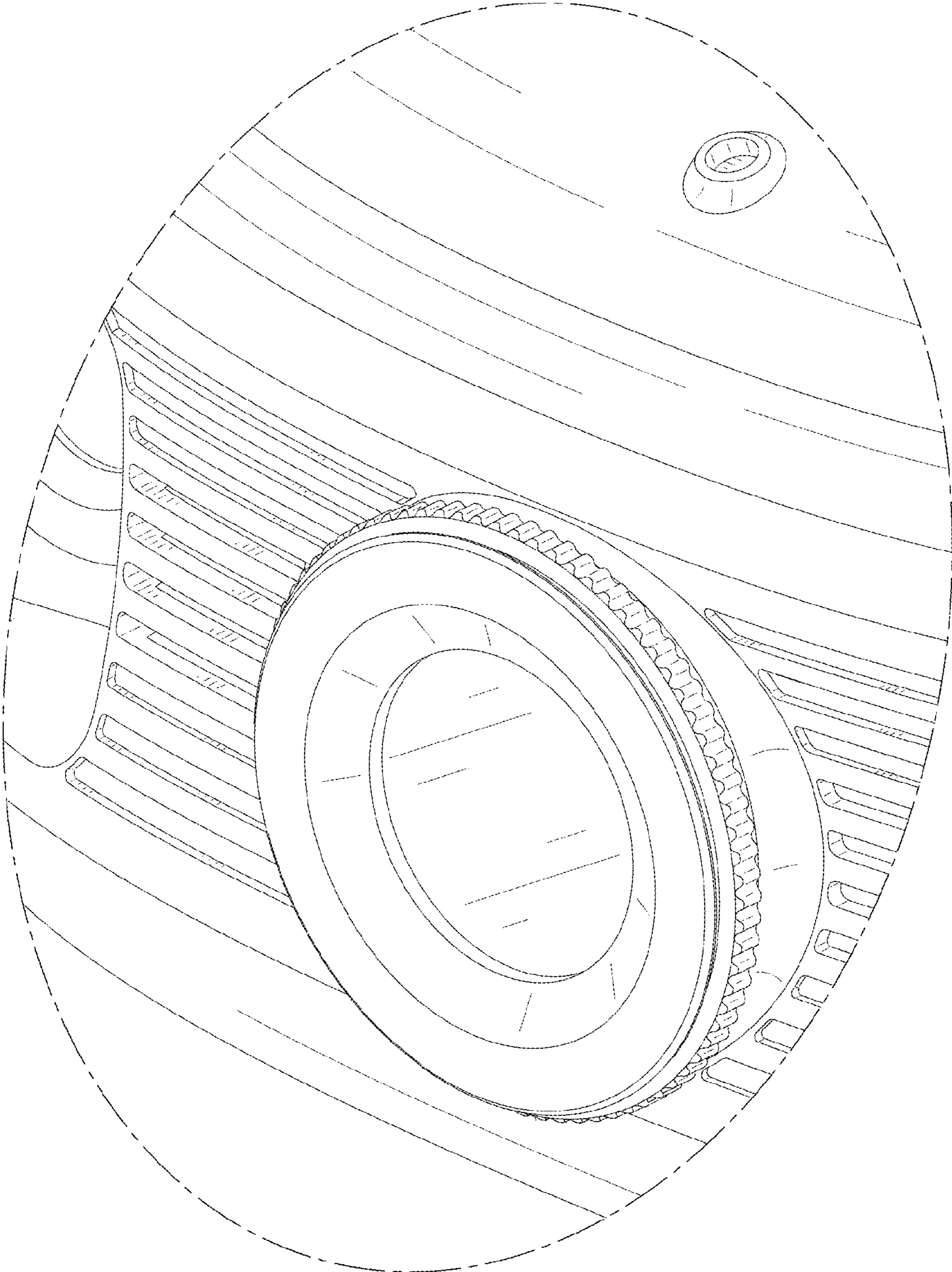


FIG. 10

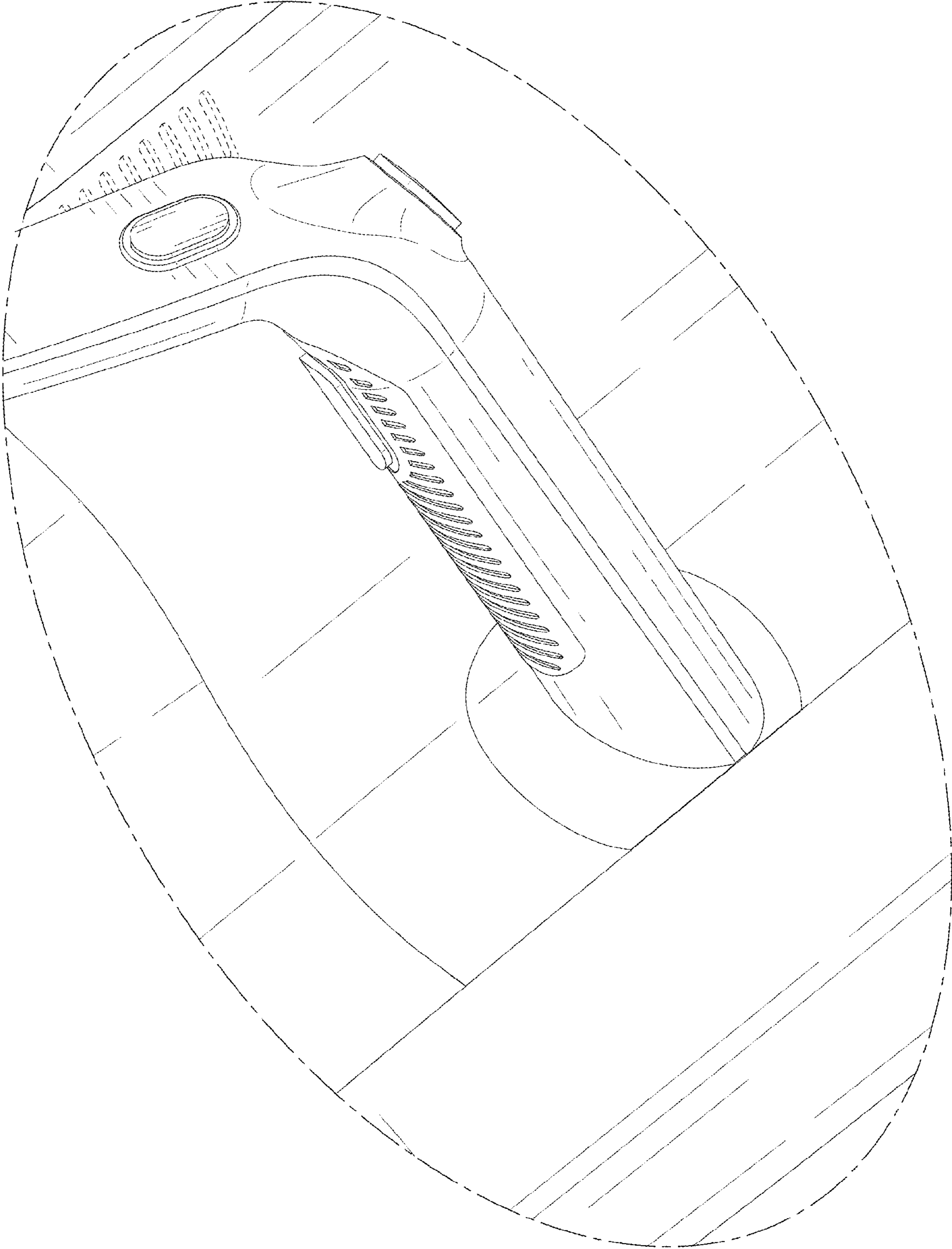


FIG. 11

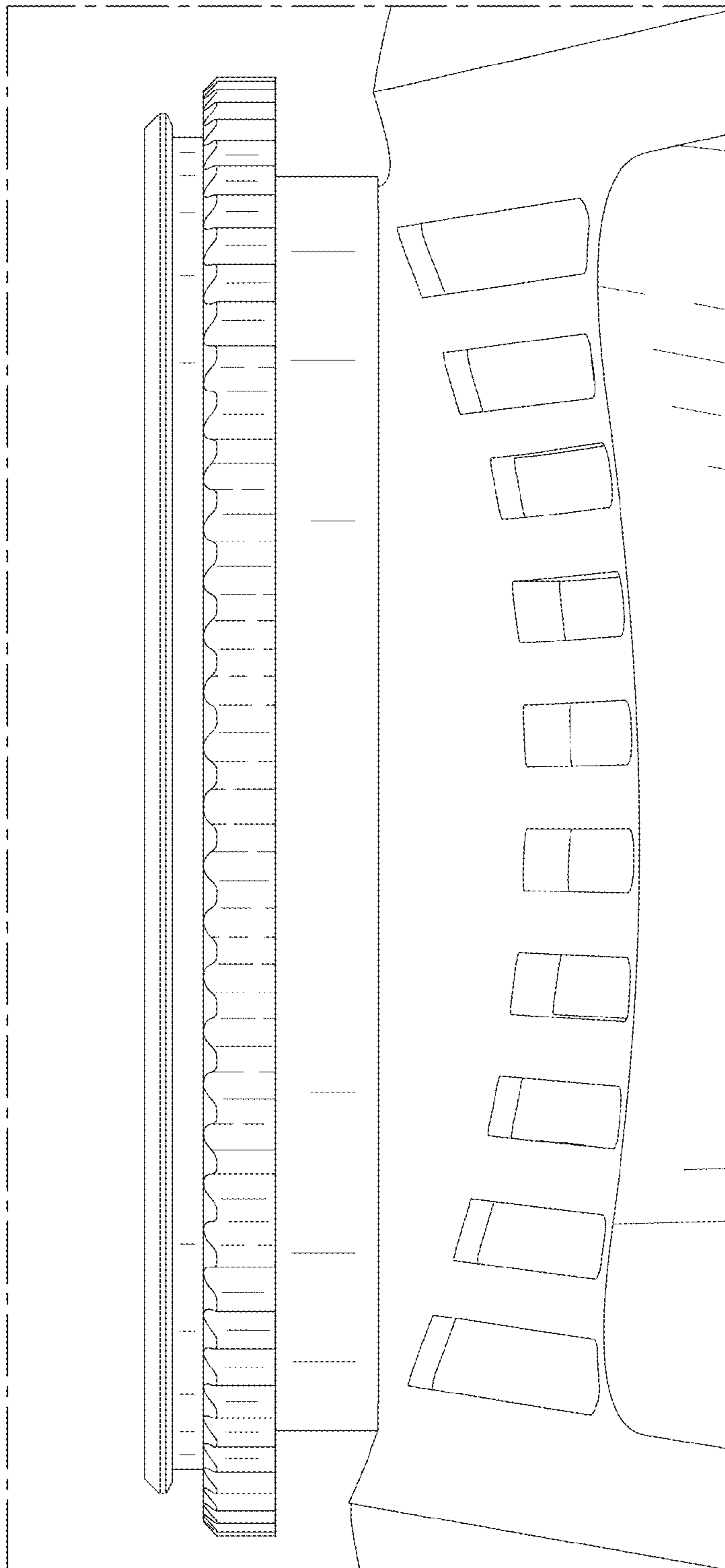


FIG. 12