



US00D979476S

(12) **United States Design Patent**
Bae et al.

(10) **Patent No.:** **US D979,476 S**
(45) **Date of Patent:** **** Feb. 28, 2023**

(54) **REAR DOOR PANEL FOR AUTOMOBILE**
(71) Applicants: **HYUNDAI MOTOR COMPANY**,
Seoul (KR); **Kia Corporation**, Seoul
(KR)
(72) Inventors: **Dong Min Bae**, Suwon-si (KR); **Hwan**
Wook Baek, Chungcheongbuk-do (KR)

(**) Term: **15 Years**
(21) Appl. No.: **35/513,830**
(22) Filed: **Jan. 3, 2022**

(80) **Hague Agreement Data**

Int. Filing Date: **Jan. 3, 2022**
Int. Reg. No.: **DM/219449**
Int. Reg. Date: **Jan. 3, 2022**
Int. Reg. Pub. Date: **Mar. 18, 2022**

(30) **Foreign Application Priority Data**

Nov. 1, 2021 (KR) 30-2021-0051816

(51) **LOC (14) Cl.** **12-16**
(52) **U.S. Cl.**
USPC **D12/196**

(58) **Field of Classification Search**
USPC D12/82, 85, 86, 88, 89, 90, 91, 92, 93,
D12/94, 96, 97, 98, 99, 181, 184, 190,
D12/192, 195, 196; D21/533, 548, 552,
D21/561
CPC B60J 5/00; B60J 5/04; B60J 5/0412; B60J
5/0425; B60J 5/0437; B60J 5/0441; B60J
5/0444; B60J 5/0447; B60J 5/0463; B60J
5/0469; B60J 5/0476; B60J 5/0483; B60J
5/0486; B62D 25/02; B62D 25/04; B62D
35/00

See application file for complete search history.

(56) **References Cited**

U.S. PATENT DOCUMENTS

D489,305 S * 5/2004 Kim D12/196
D558,112 S * 12/2007 Leclercq D12/196

D573,522 S * 7/2008 Sato D12/196
D671,471 S * 11/2012 Yamada D12/196
D699,654 S * 2/2014 Okue D12/196
D785,530 S * 5/2017 Kyung D12/196
D801,247 S * 10/2017 Lee D12/196
D833,938 S * 11/2018 Lee D12/196
D875,011 S * 2/2020 Choi D12/196
D940,622 S * 1/2022 Kim B60J 5/00
D12/196
D945,340 S * 3/2022 Lim D12/196
D951,164 S * 5/2022 Oh B62D 25/02
D12/196
D971,104 S * 11/2022 Kim D12/196

* cited by examiner

Primary Examiner — Cary M Robinson
Assistant Examiner — Adam C Mager

(57) **CLAIM**

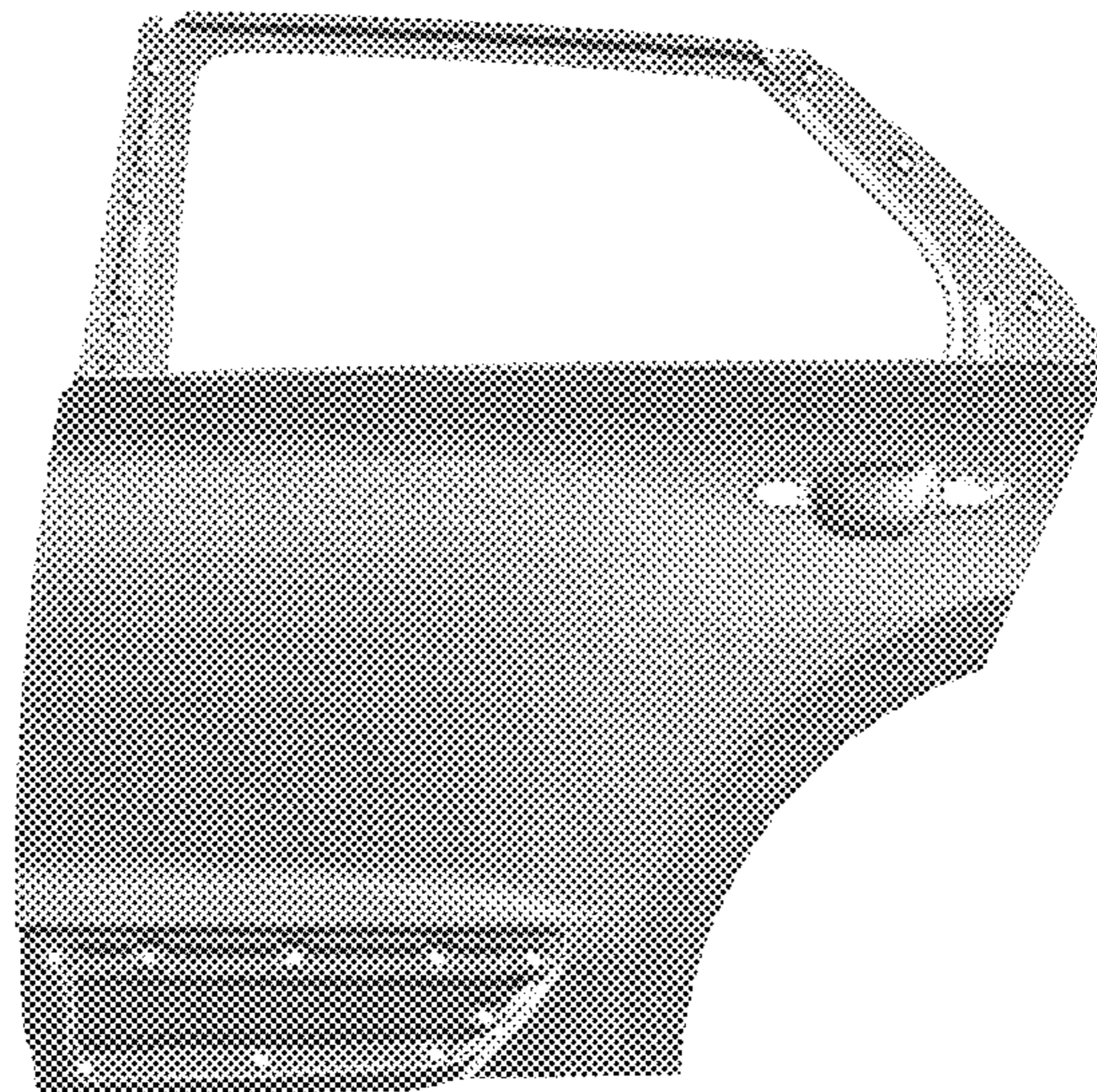
The ornamental design for a rear door panel for automobile,
as shown and described.

DESCRIPTION

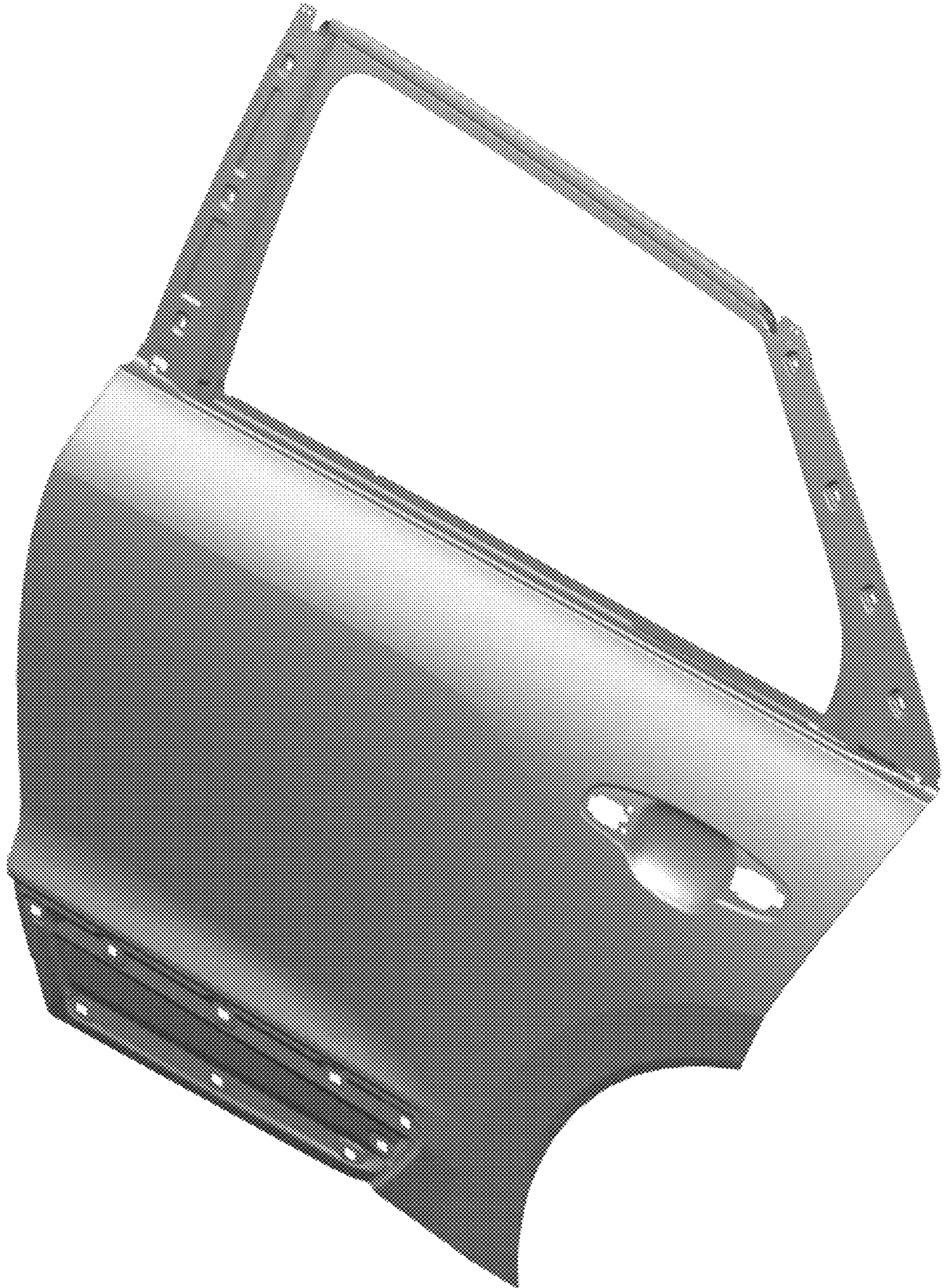
- 1. Rear door panel for automobile
- 1.1 : Perspective
- 1.2 : Front
- 1.3 : Back
- 1.4 : Left
- 1.5 : Right
- 1.6 : Top
- 1.7 : Bottom

Reproduction 1.1 is a perspective view of a rear door panel
for automobile showing our new design; reproduction 1.2 is
a front elevation view thereof; reproduction 1.3 is a rear
elevation view thereof; reproduction 1.4 is a left side eleva-
tion view thereof; reproduction 1.5 is a right side eleva-
tion view thereof; reproduction 1.6 is a top plan view thereof;
reproduction 1.7 is a bottom plan view thereof; the reflec-
tions shown in reproductions 1.1 are disclaimed.

1 Claim, 7 Drawing Sheets



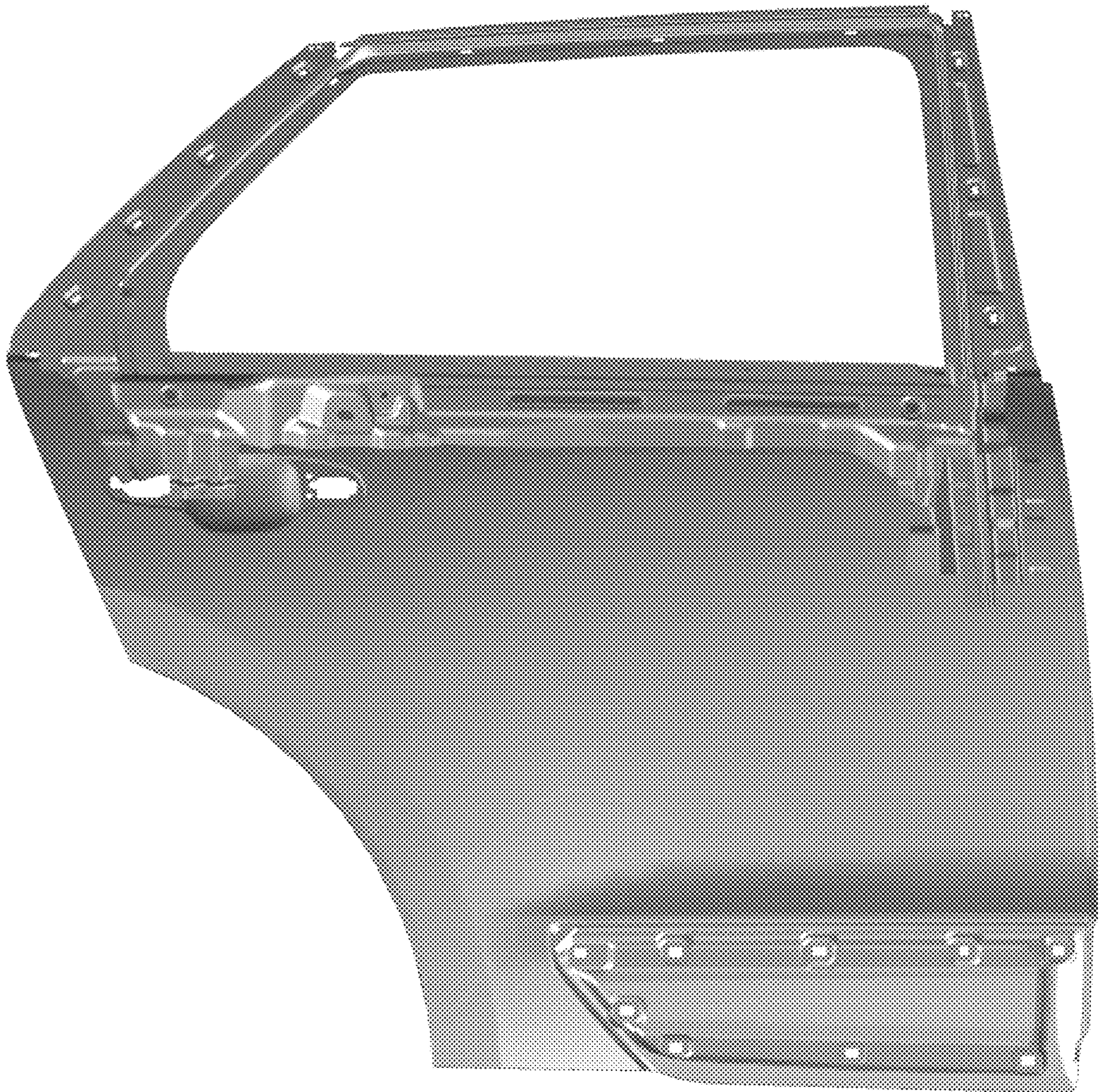
1.1



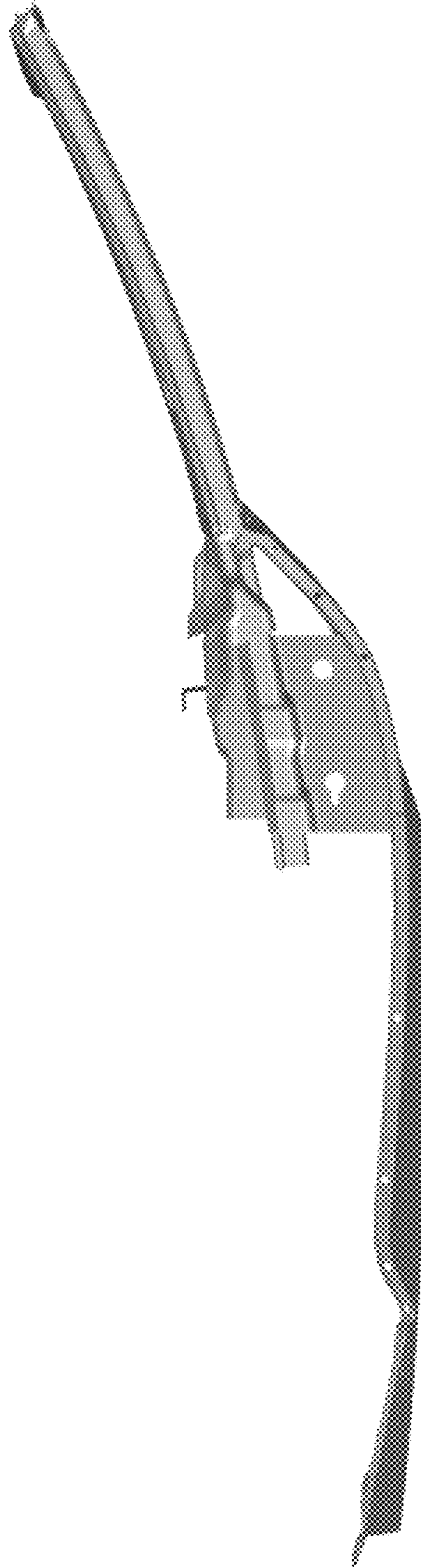
1.2



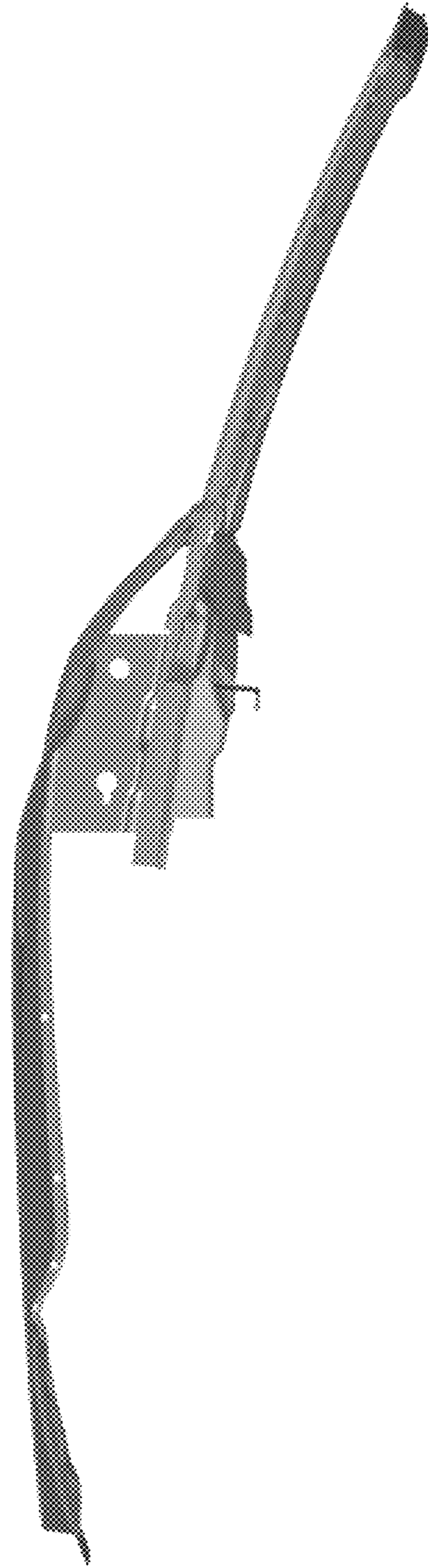
1.3



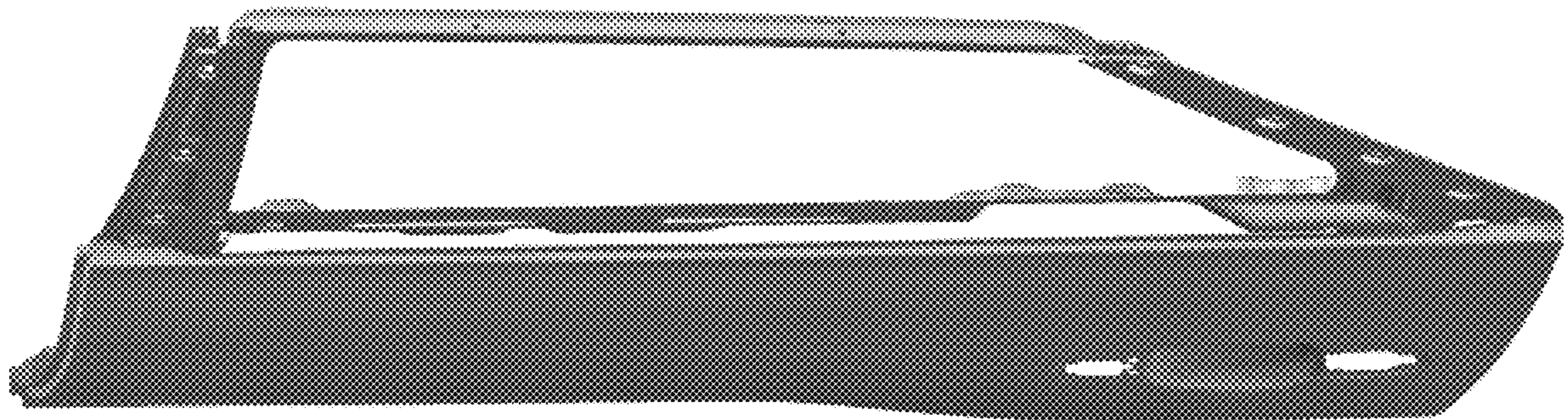
1.4



1.5



1.6



1.7

