

US00D979475S

(12) **United States Design Patent** (10) **Patent No.:** **US D979,475 S**
Akrapovic et al. (45) **Date of Patent:** **** Feb. 28, 2023**

(54) **MUFFLER FOR MOTORCYCLES**
(71) Applicant: **Igor Akrapovic**, Ljubljana (SI)
(72) Inventors: **Igor Akrapovic**, Ljubljana (SI); **Ermin Kosovel**, Zgornje Gorje (SI); **Urban Potocnik**, Lesce (SI); **Dejan Grubar**, Novo Mesto (SI); **Marko Zimšek**, Vrhnika (SI); **Roman Hafnar**, Žabnica (SI)

(**) Term: **15 Years**

(21) Appl. No.: **35/512,004**

(22) Filed: **Feb. 23, 2021**

(80) **Hague Agreement Data**

Int. Filing Date: **Feb. 23, 2021**
Int. Reg. No.: **DM/214509**
Int. Reg. Date: **Feb. 23, 2021**
Int. Reg. Pub. Date: **Jun. 11, 2021**

(30) **Foreign Application Priority Data**

Aug. 28, 2020 (EM) 008151773-0001

(51) **LOC (14) Cl.** **12-16**

(52) **U.S. Cl.**
USPC **D12/194**

(58) **Field of Classification Search**
USPC D12/194; D15/5
CPC ... F01N 1/04; F01N 1/24; F01N 13/08; F01N 13/082; F01N 13/085; F01N 13/087
See application file for complete search history.

(56) **References Cited**

U.S. PATENT DOCUMENTS

D550,134 S * 9/2007 Akrapovic D12/194
D804,381 S * 12/2017 Akrapovic D12/194
D832,756 S * 11/2018 Akrapovic D12/194
D833,936 S * 11/2018 Akrapovic D12/194

D836,514 S * 12/2018 Akrapovic D12/194
D837,119 S * 1/2019 Akrapovic D12/194
D840,887 S * 2/2019 Akrapovic D12/194
D864,818 S * 10/2019 Akrapovic D12/194
D875,010 S * 2/2020 Akrapovic D12/194
D910,521 S * 2/2021 Akrapovic F01N 13/20
D12/194

(Continued)

OTHER PUBLICATIONS

Car Bibles Staff. "The Best Motorcycle Exhaust Systems (Review) in 2021." Car Bibles., Oct. 21, 2019 [online], [retrieved on Jul. 26, 2021]. Retrieved from the Internet <URL: <https://www.carbibles.com/best-motorcycle-exhaust/>>.*

(Continued)

Primary Examiner — Darlington Ly
(74) *Attorney, Agent, or Firm* — Olson & Cepuritis, Ltd.

(57) **CLAIM**

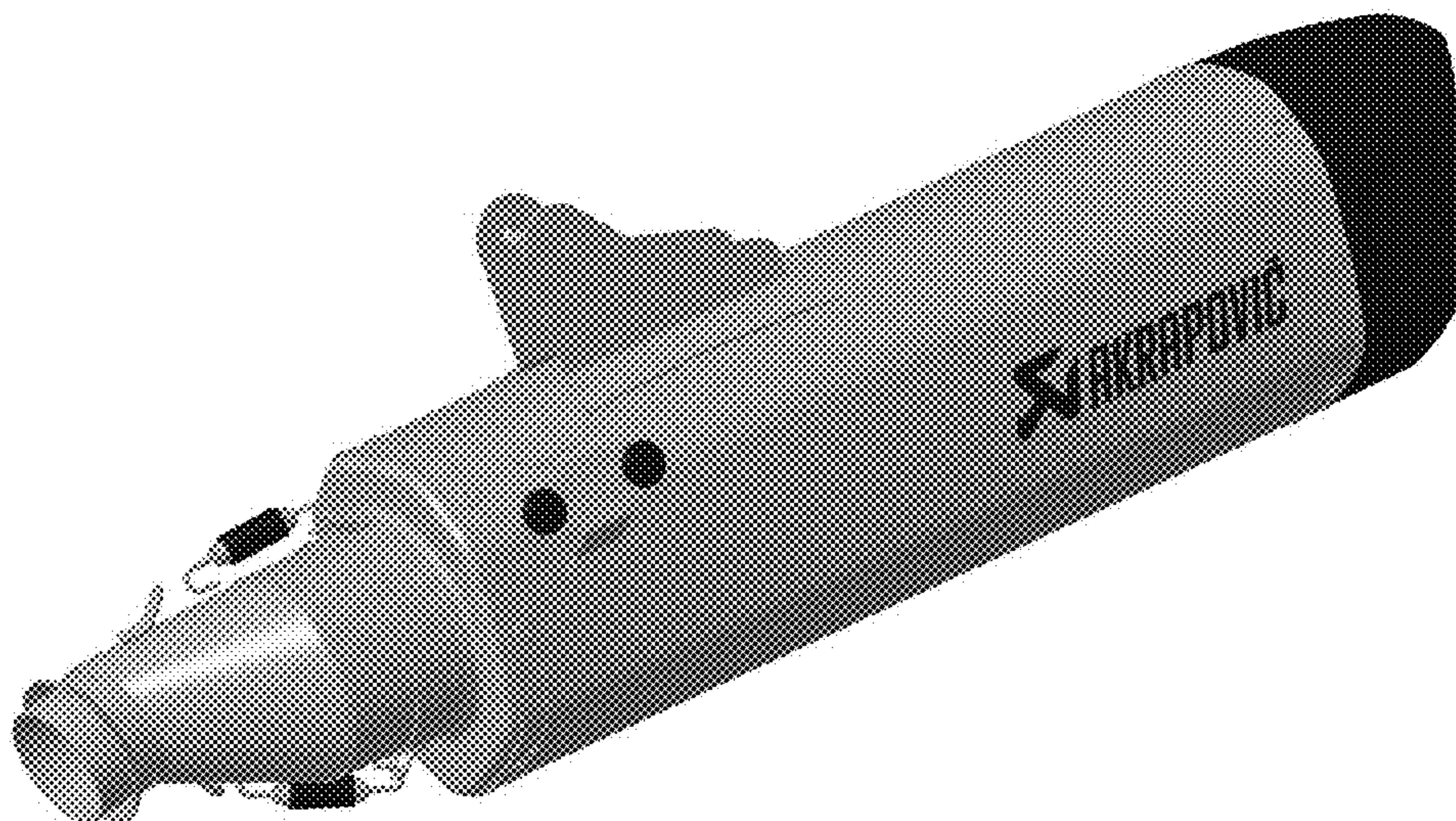
The ornamental design for muffler for motorcycles, as shown and described.

DESCRIPTION

The patent or application file contains at least one drawing executed in color. Copies of this patent or patent application publication with color drawing(s) will be provided by the Office upon request and payment of the necessary fee.

- 1. Muffler for motorcycles
- 1.1 is a front and left side perspective view of a muffler for motorcycles embodying our new design;
- 1.2 is a rear and left side perspective view thereof;
- 1.3 is a rear elevation view thereof;
- 1.4 is a front elevation view thereof;
- 1.5 is a right side elevation view thereof;
- 1.6 is a left side elevation view thereof;
- 1.7 is a top plan view thereof;
- 1.8 is a bottom plan view thereof; and
- 1.9 is a front and right side perspective view thereof.

1 Claim, 9 Drawing Sheets
(9 of 9 Drawing Sheet(s) Filed in Color)



(56)

References Cited

U.S. PATENT DOCUMENTS

D915,260 S * 4/2021 Akrapovič F01N 1/003
D12/194
D922,923 S * 6/2021 Akrapovic D12/194
D937,723 S * 12/2021 Akrapovic D12/194
D940,620 S * 1/2022 Wu D12/194
D940,621 S * 1/2022 Wu D12/194
2016/0069278 A1* 3/2016 Muramatsu F02D 9/04
60/324
2016/0290195 A1* 10/2016 Tanaka B62K 11/04
2020/0032691 A1* 1/2020 Miura F01N 13/1805

OTHER PUBLICATIONS

“Best Sportbike Exhausts.” Motorcycle., Aug. 8, 2019 [online],
[retrieved on Jul. 26, 2021]. Retrieved from the Internet <URL:
<https://www.motorcycle.com/products/best-sportbike-exhausts>>.*

* cited by examiner

1.1



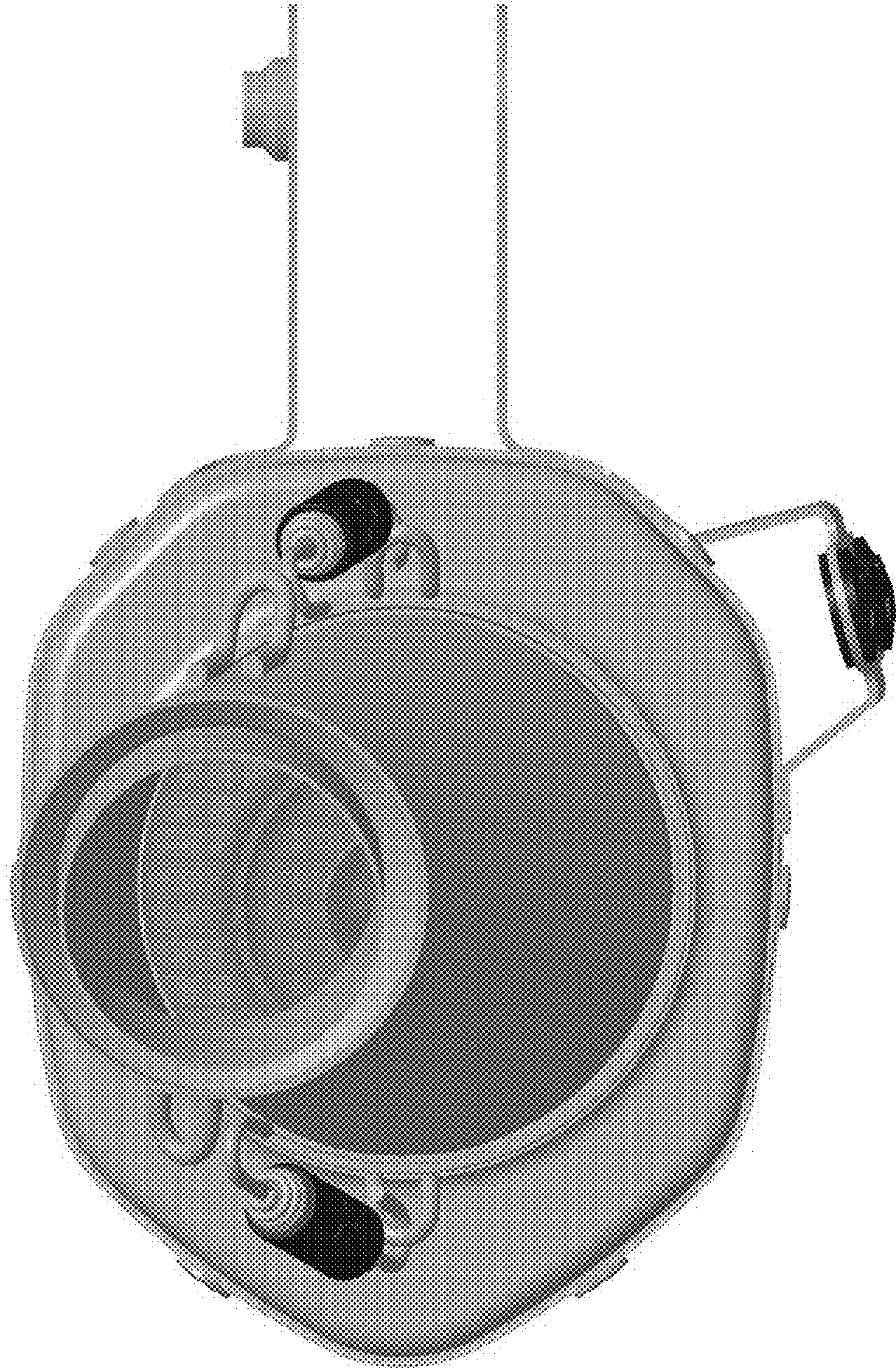
1.2



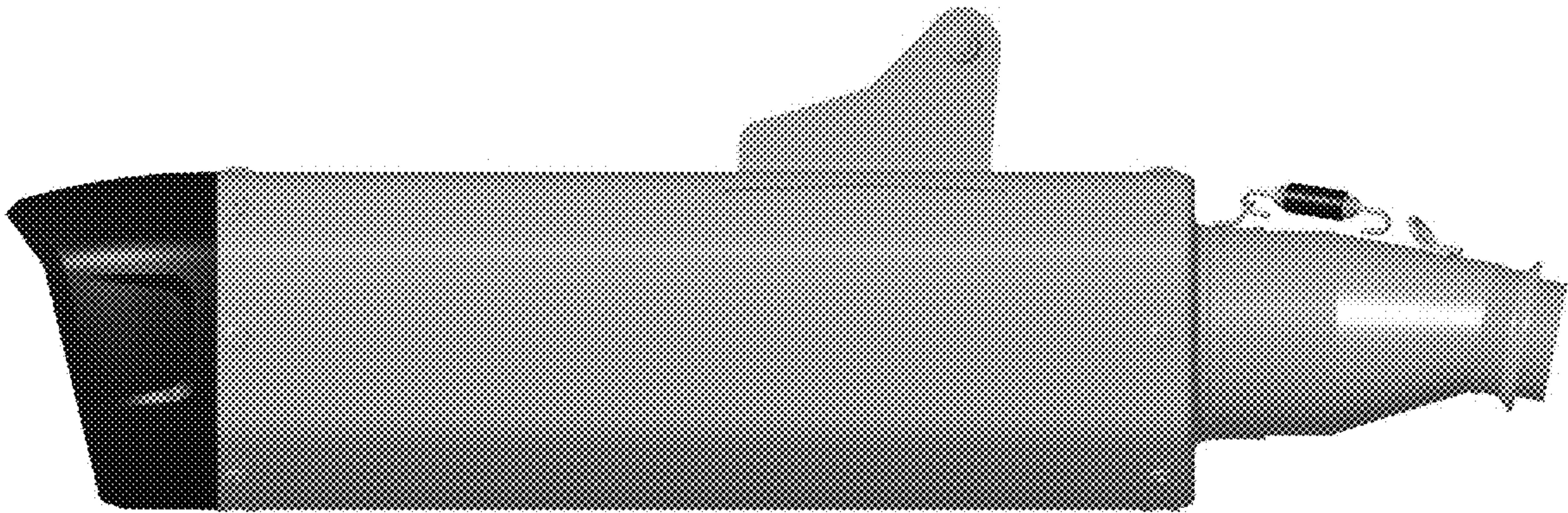
1.3



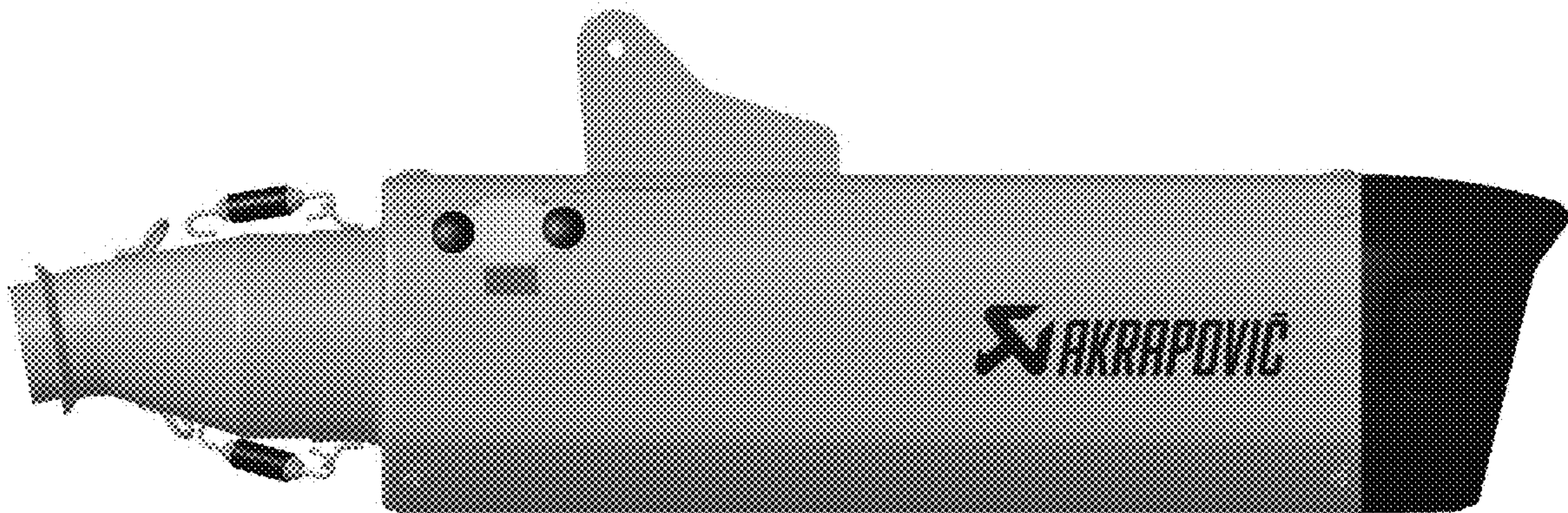
1.4



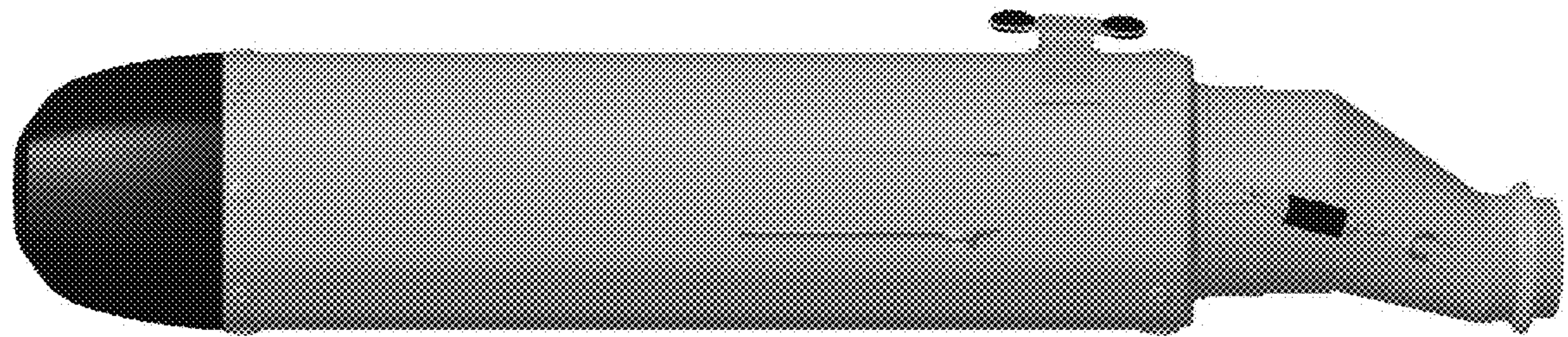
1.5



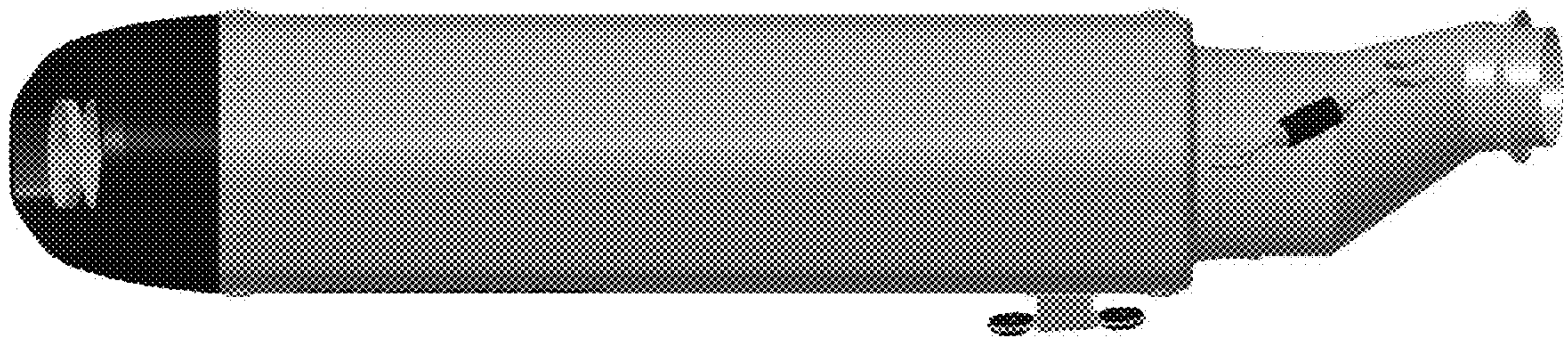
1.6



1.7



1.8



1.9

