



US00D979473S

(12) **United States Design Patent**
Anderson et al.

(10) **Patent No.:** **US D979,473 S**

(45) **Date of Patent:** **** Feb. 28, 2023**

(54) **APPLIQUE FOR A VEHICLE INSTRUMENT
PANEL**

(71) Applicant: **Ford Global Technologies, LLC,**
Dearborn, MI (US)

(72) Inventors: **Scott Anderson,** Commerce Township,
MI (US); **Erwan Besancon,** West
Bloomfield Township, MI (US); **Clay
Mastin,** Ferndale, MI (US)

(73) Assignee: **Ford Global Technologies, LLC,**
Dearborn, MI (US)

(**) Term: **15 Years**

(21) Appl. No.: **29/770,539**

(22) Filed: **Feb. 12, 2021**

(51) **LOC (14) Cl.** **12-16**

(52) **U.S. Cl.**
USPC **D12/192**

(58) **Field of Classification Search**
USPC D12/192, 415, 114, 345, 195, 190
CPC B60R 7/01; B60R 7/02; B60R 7/04; B60H
1/34; B60H 1/3407; B60H 1/3414; B60H
1/3421; B60H 1/3428; B60H 1/3435;
B60H 1/3442; B60H 1/345; B60H 1/3457
See application file for complete search history.

(56) **References Cited**

U.S. PATENT DOCUMENTS

D363,053 S *	10/1995	Abele	D12/192
D569,317 S *	5/2008	Schowalter	D12/192
D577,641 S *	9/2008	Wyszogrod	D12/192
D607,392 S *	1/2010	Shymkiw	D12/190
D636,712 S *	4/2011	Shymkiw	D12/190
D776,029 S *	1/2017	Callum	D12/192
D819,533 S *	6/2018	Choi	D12/192

D871,285 S *	12/2019	Witt	D12/192
D872,683 S *	1/2020	Motozaki	D12/415
D908,569 S *	1/2021	Bernal	D12/192
D939,414 S *	12/2021	Aizawa	D12/192
D947,090 S *	3/2022	Chergosky	D12/192

OTHER PUBLICATIONS

Andre Smirnov, Leaked: 2022 Ford Maverick Truck? Could This Be
The Next Ford Ranger or Bronco-Based Pickup?, <https://tfltruck.com/2020/04/leaked-2022-ford-maverick-truck-could-this-be-the-next-ford-ranger-or-bronco-based-pickup/> Apr. 30, 2020.
Viknesh Vijayenthiran, 2022 Ford Maverick Spy Shots: Compact
Pickup on the way, https://www.motorauthority.com/news/1129703_2022-ford-maverick-spy-shots Sep. 23, 2020.

(Continued)

Primary Examiner — Susan E Krakower
Assistant Examiner — Jerry Shiuhan-Hua Hsu

(57) **CLAIM**

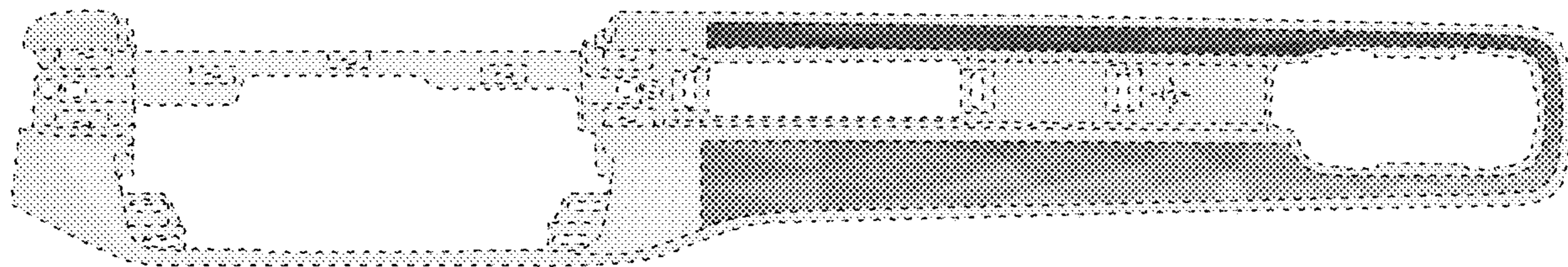
The ornamental design for an applique for a vehicle instru-
ment panel, as shown and described.

DESCRIPTION

FIG. 1 is a front elevational view of an applique for a vehicle
instrument panel, showing our new design;
FIG. 2 is a rear elevational view thereof
FIG. 3 is a left side elevational view thereof;
FIG. 4 is a right side elevational view thereof;
FIG. 5 is a top plan view thereof;
FIG. 6 is a bottom plan view thereof;
FIG. 7 is a top, front and left side perspective view thereof;
and,
FIG. 8 is a bottom, front and right side perspective view
thereof.

The broken lines depict a boundary around the deempha-
sized elements, which illustrate environmental structure
which form no part of the claimed design.

1 Claim, 8 Drawing Sheets



(56)

References Cited

OTHER PUBLICATIONS

Brett Foote, Ford Maverick Pickup Will Only Be Available In Four-Door Configuration, <https://fordauthority.com/2020/12/ford-maverick-pickup-will-only-be-available-in-four-door-configuration/> Dec. 7, 2020.

Chris Bruce, 2022 Ford Maverick Caught In Bare Metal, Revealing its Design, <https://www.motor1.com/news/458839/2022-ford-maverick-bare-metal/> Dec. 7, 2020.

Mr Robot, Ford Maverick Unibody Fully Revealed!, <https://www.mavericktruckclub.com/forum/threads/ford-maverick-unibody-fully-revealed.13/> Dec. 7, 2020.

Chris Bruce, 2022 Ford Maverick May Only Be Available In Four-Door Super Crew Body, <https://www.motor1.com/news/459229/2022-ford-maverick-super-crew/> Dec. 9, 2020.

Paul A. Eisenstein, Return Of The Ford Maverick—But This Time It's Going To Be A Compact Pickup, <https://www.thedetroitbureau.com/2020/12/return-of-the-ford-maverick-but-this-time-its-going-to-be-a-compact-pickup/> Dec. 9, 2020.

Allison Barfield, The 2022 Ford Maverick Looks Bigger Than Expected, <https://www.motorbiscuit.com/the-2022-ford-maverick-looks-bigger-than-expected/> Dec. 12, 2020.

Alexander Stoklosa, 2022 Ford Maverick: Here It Is, Looking Compact and Surprisingly Trucky, <https://www.motortrend.com/news/2022-ford-maverick-spy-photo-factory-details/> Jan. 8, 2021.

Josh Byrnes, 2022 Ford Maverick: Everything We Know About The Blue Oval's Baby Truck, <https://www.carscoops.com/2021/01/2022-ford-maverick-everything-we-know-about-the-blue-ovals-baby-truck/> Jan. 30, 2021.

* cited by examiner

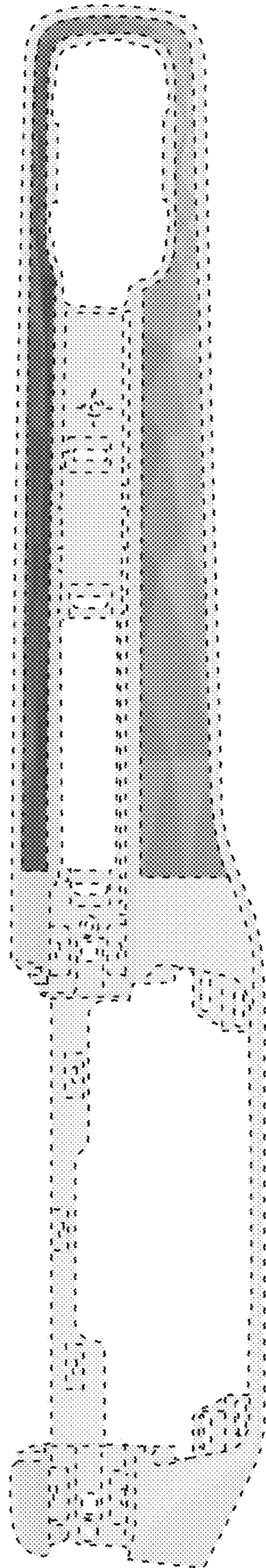


Fig. 1

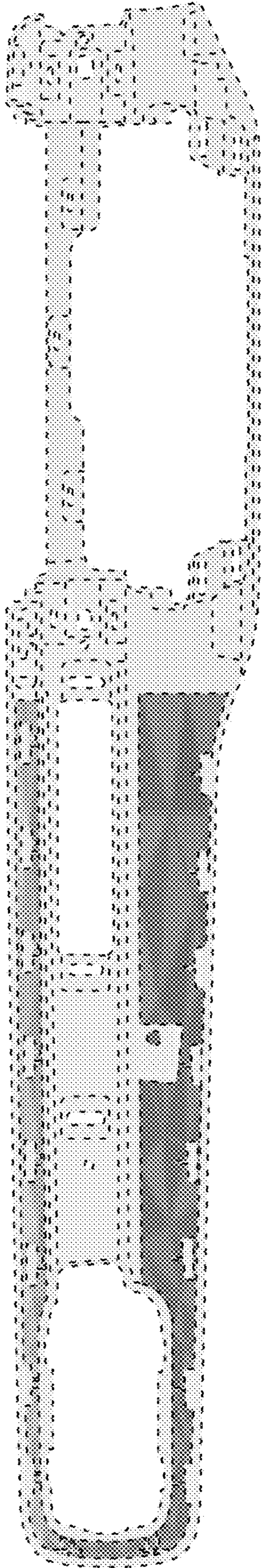


Fig. 2

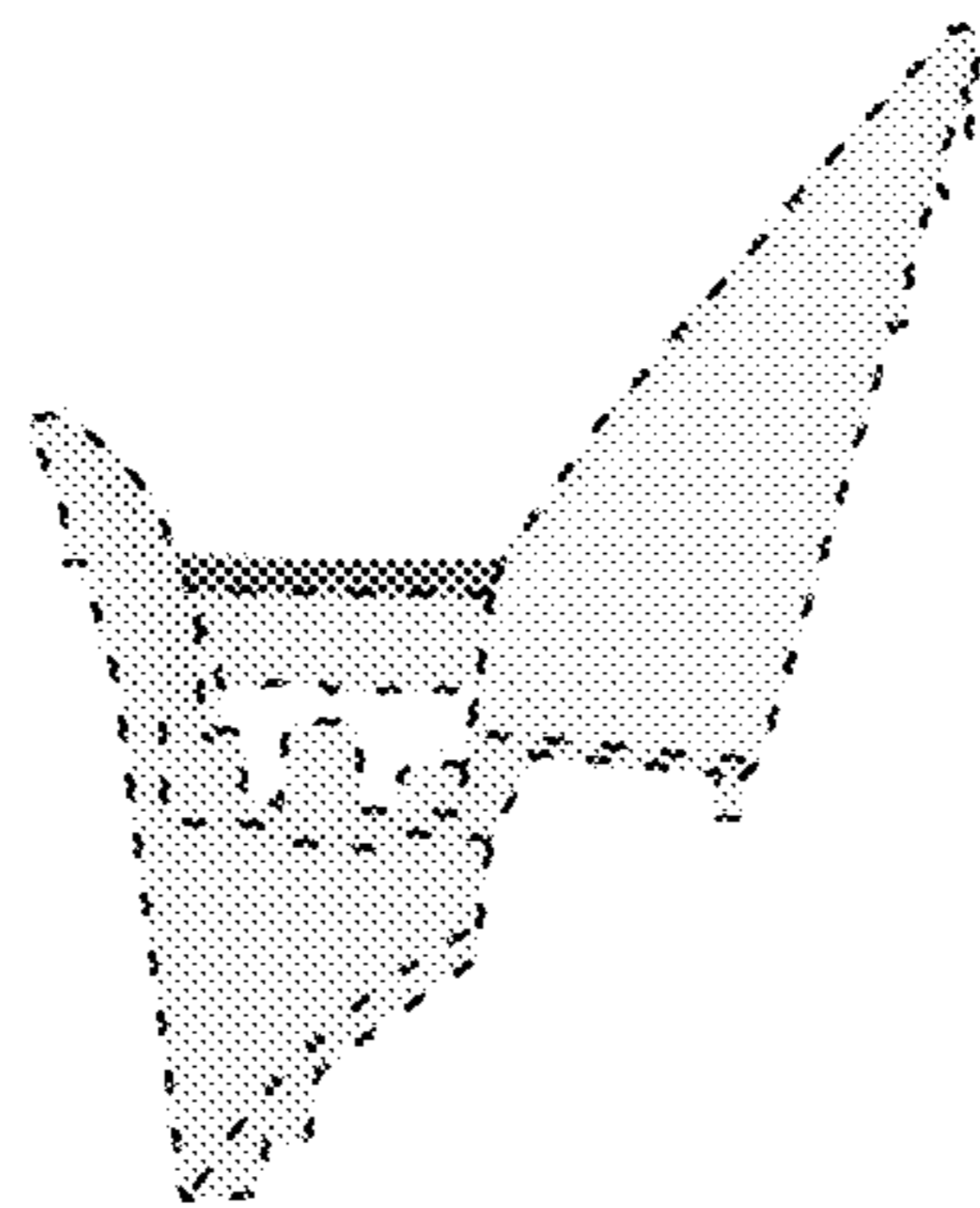


Fig. 3

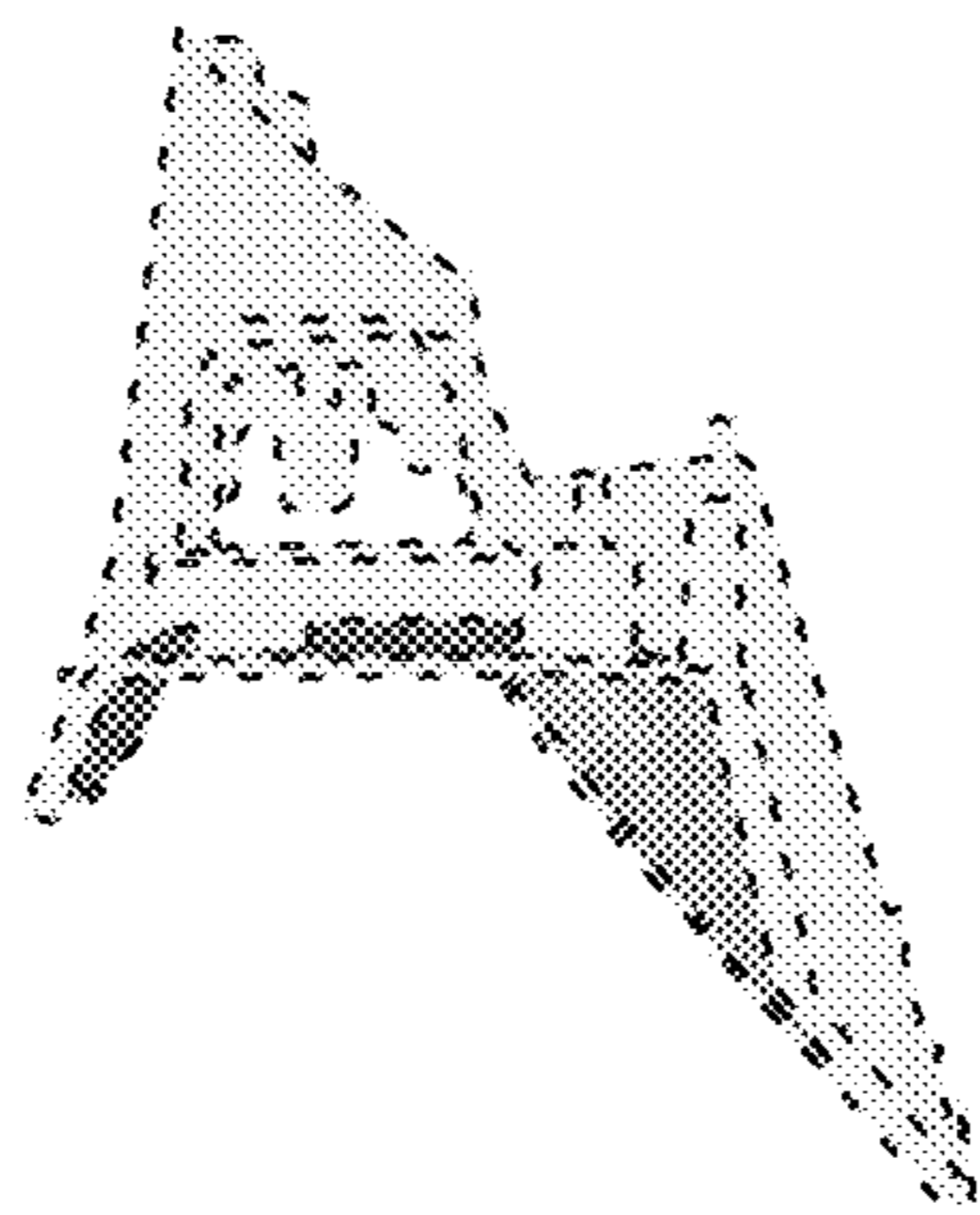
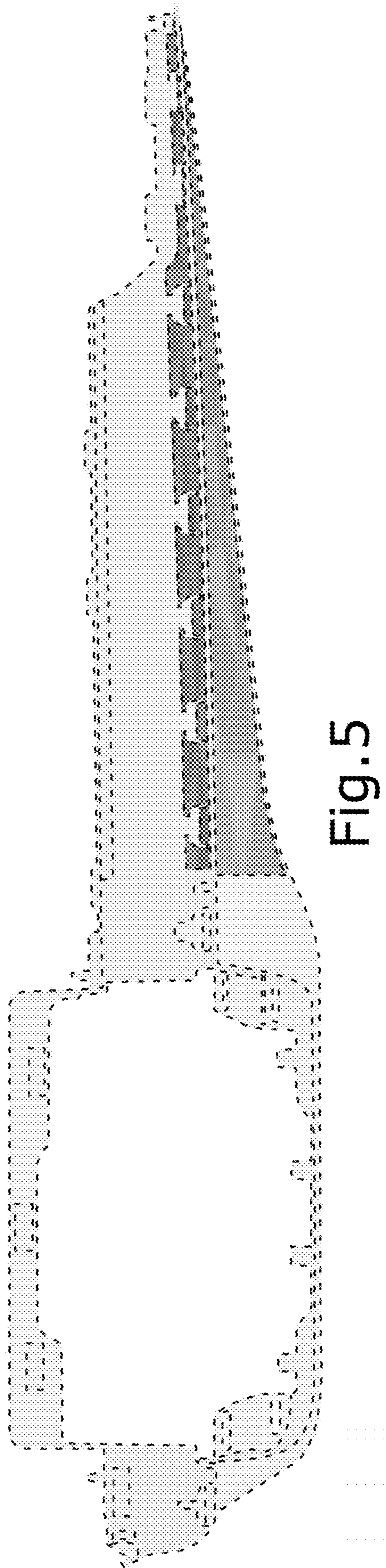


Fig. 4



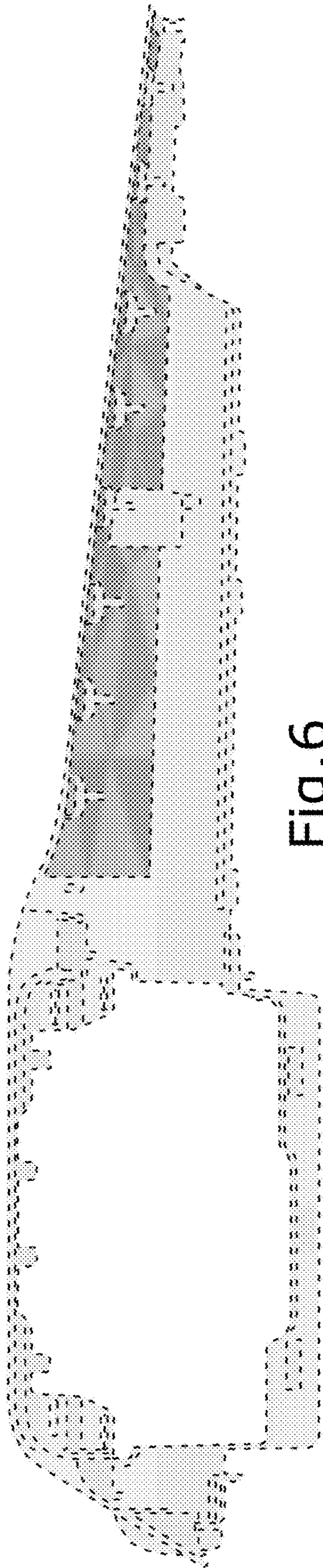


Fig. 6

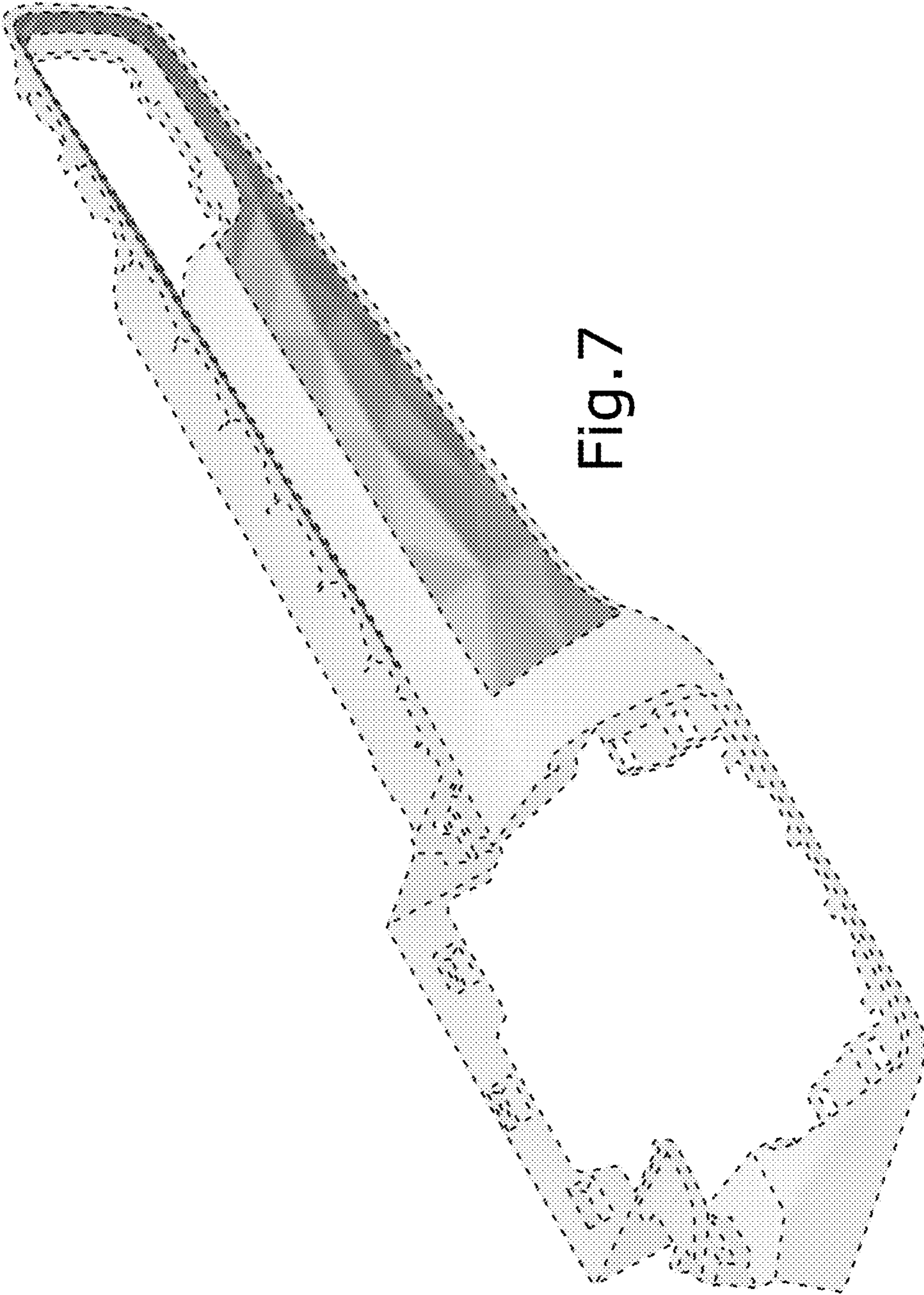


Fig. 7

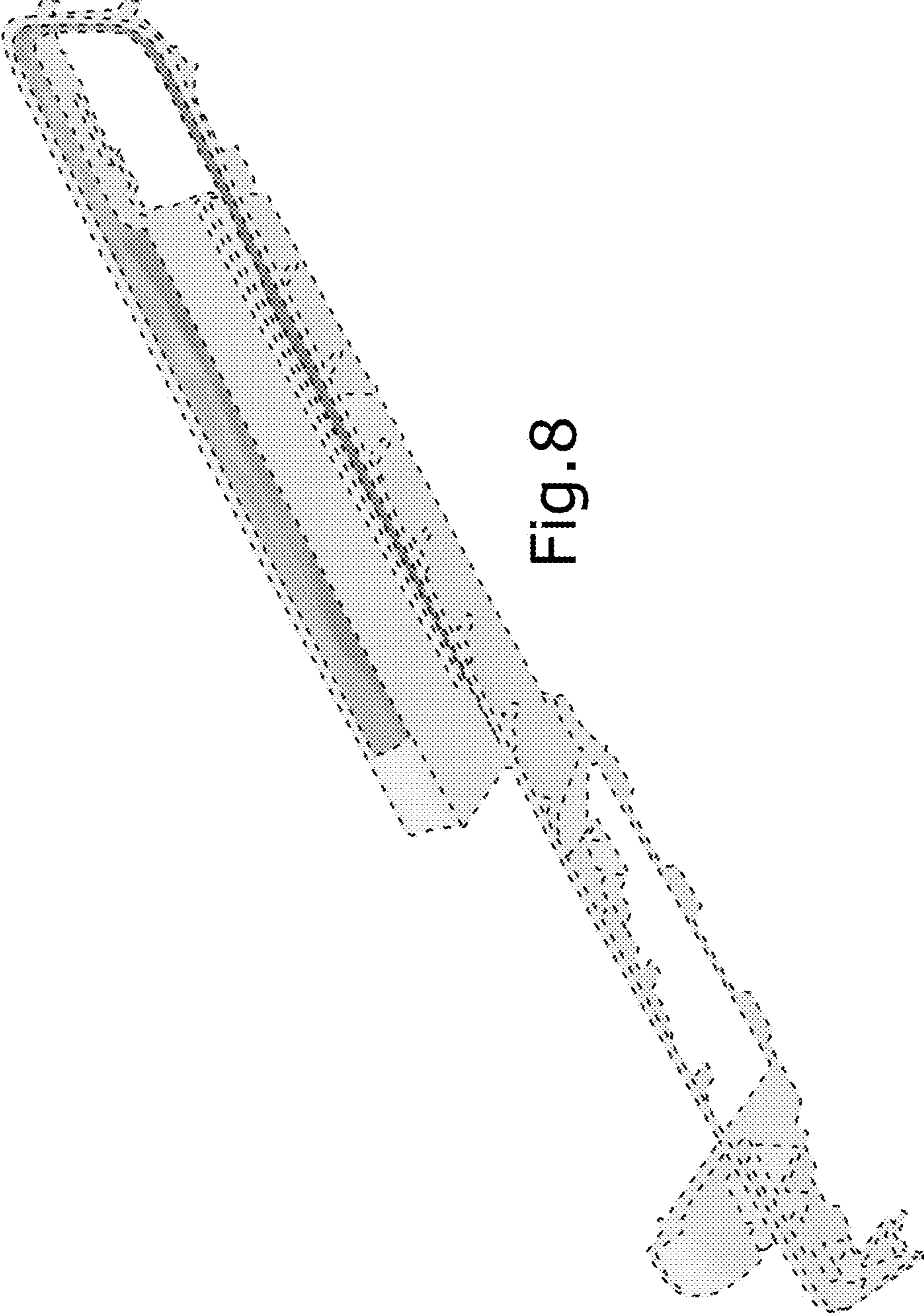


Fig. 8