



US00D979469S

(12) **United States Design Patent** (10) **Patent No.:** **US D979,469 S**
Pena (45) **Date of Patent:** **** Feb. 28, 2023**

(54) **REAR BUMPER FOR A VEHICLE**
(71) Applicant: **Bayerische Motoren Werke Aktiengesellschaft, Munich (DE)**
(72) Inventor: **Jose Alberto Casas Pena, Munich (DE)**
(73) Assignee: **Bayerische Motoren Werke Aktiengesellschaft, Munich (DE)**

D856,874 S * 8/2019 Kozub D12/172
D926,648 S 8/2021 Forschner
D950,415 S * 5/2022 Kimoto D12/91
D958,021 S * 7/2022 Pena D12/169
D960,781 S * 8/2022 Jie D12/169
D961,467 S * 8/2022 Li D12/169

(**) Term: **15 Years**

(21) Appl. No.: **29/800,770**

(22) Filed: **Jul. 23, 2021**

(30) **Foreign Application Priority Data**

Jan. 27, 2021 (DE) 402021100063.1

(51) **LOC (14) Cl.** **12-16**

(52) **U.S. Cl.**
USPC **D12/169**

(58) **Field of Classification Search**
USPC D12/169, 196, 86, 90-92, 163, 190, 98,
D12/164; 293/102, 113, 115, 117, 120,
293/193.11; 296/180.1, 180.2
CPC B60R 19/02; B60R 19/04; B62D 25/08
See application file for complete search history.

(56) **References Cited**

U.S. PATENT DOCUMENTS

D546,250 S 7/2007 Hettler
D772,121 S * 11/2016 Luk D12/169
D854,979 S * 7/2019 Krieg D12/169
D854,984 S * 7/2019 Dewitt D12/169
D855,509 S * 8/2019 Wilkins D12/169
D856,210 S * 8/2019 De Bono D12/169

FOREIGN PATENT DOCUMENTS

WO WO DM/067152 12/2005
WO WO DM/077303 6/2012
WO WO DM/084038 1/2015
WO WO DM/214535 5/2021

* cited by examiner

Primary Examiner — Melody N Brown

(74) *Attorney, Agent, or Firm* — Crowell & Moring LLP

(57) **CLAIM**

The ornamental design for a rear bumper for a vehicle, as shown and described.

DESCRIPTION

This application contains subject matter related to the following co-pending U.S. design patent applications:

Application Ser. No. 29/786,456, filed Jun. 1, 2021 and entitled "Rear Bumper for a Vehicle"; and

Application Ser. No. 29/800,760, filed herewith and entitled "Motor Vehicle, Toy Replica, and/or Other Replica".

FIG. 1 is a front view of a rear bumper for a vehicle according to the design;

FIG. 2 is a left, bottom perspective view thereof;

FIG. 3 is a right, front perspective view thereof;

FIG. 4 is a left side view thereof;

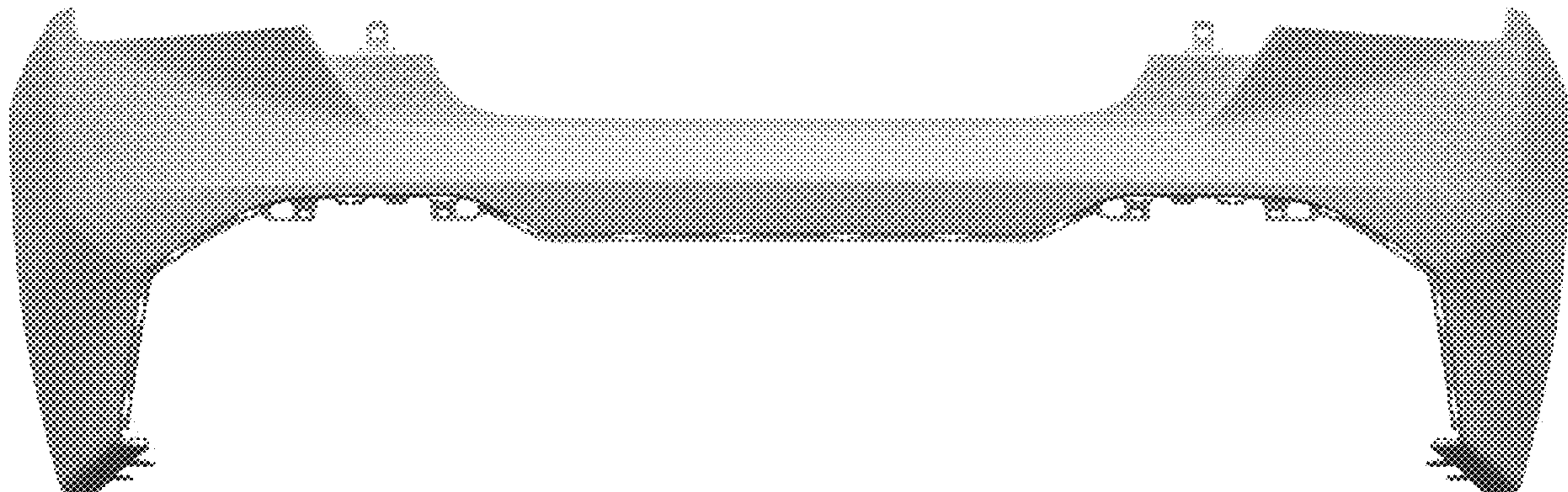
FIG. 5 is a right side view thereof;

FIG. 6 is a top view thereof;

FIG. 7 is a bottom view thereof; and,

FIG. 8 is a rear view thereof.

1 Claim, 8 Drawing Sheets



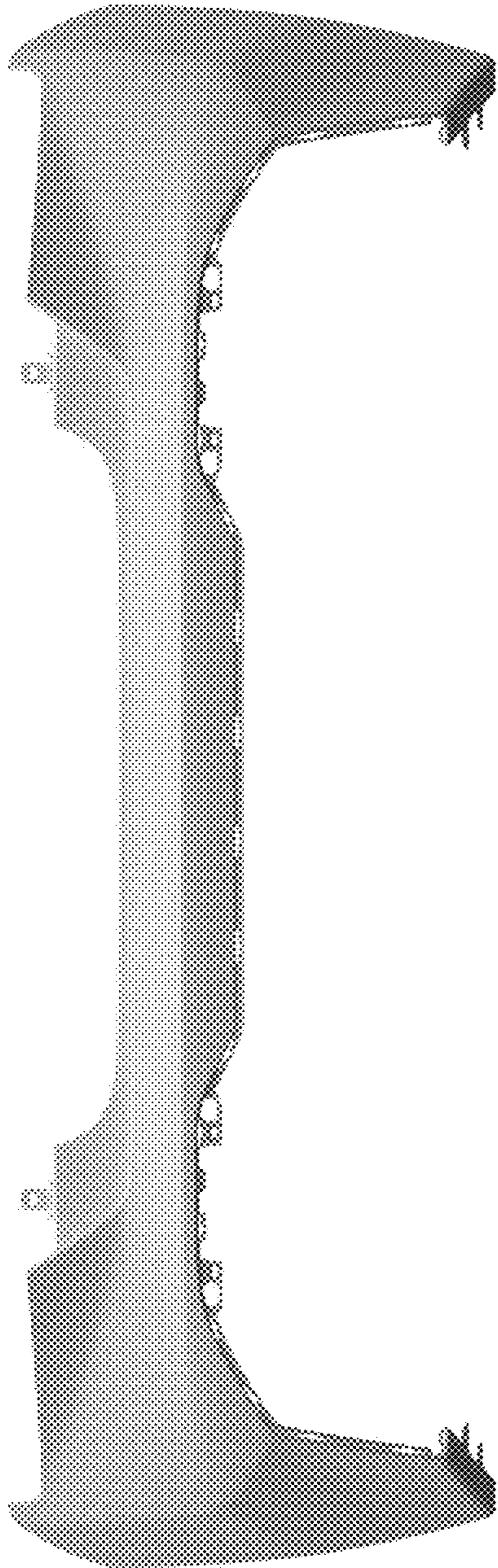


Fig. 1

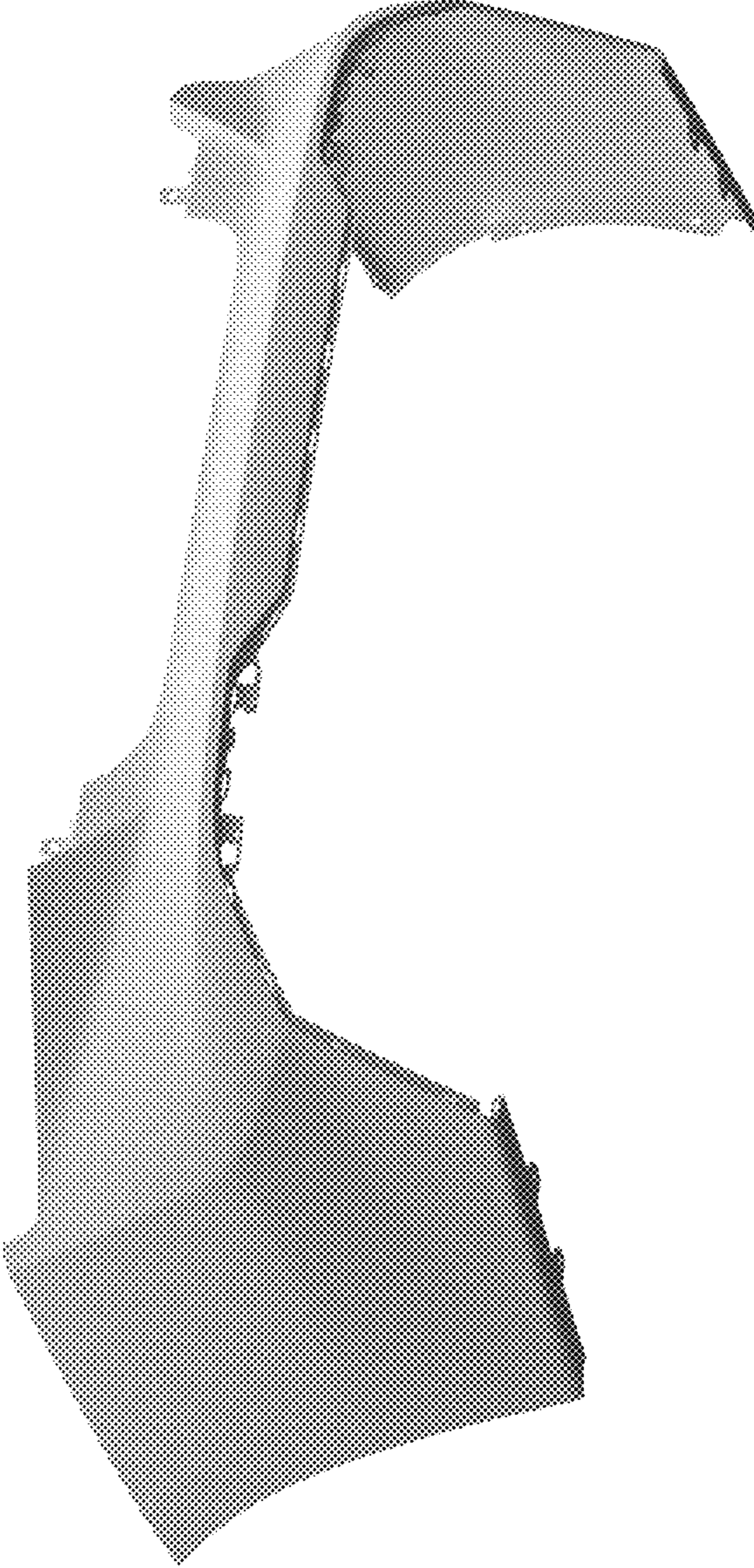


Fig. 2

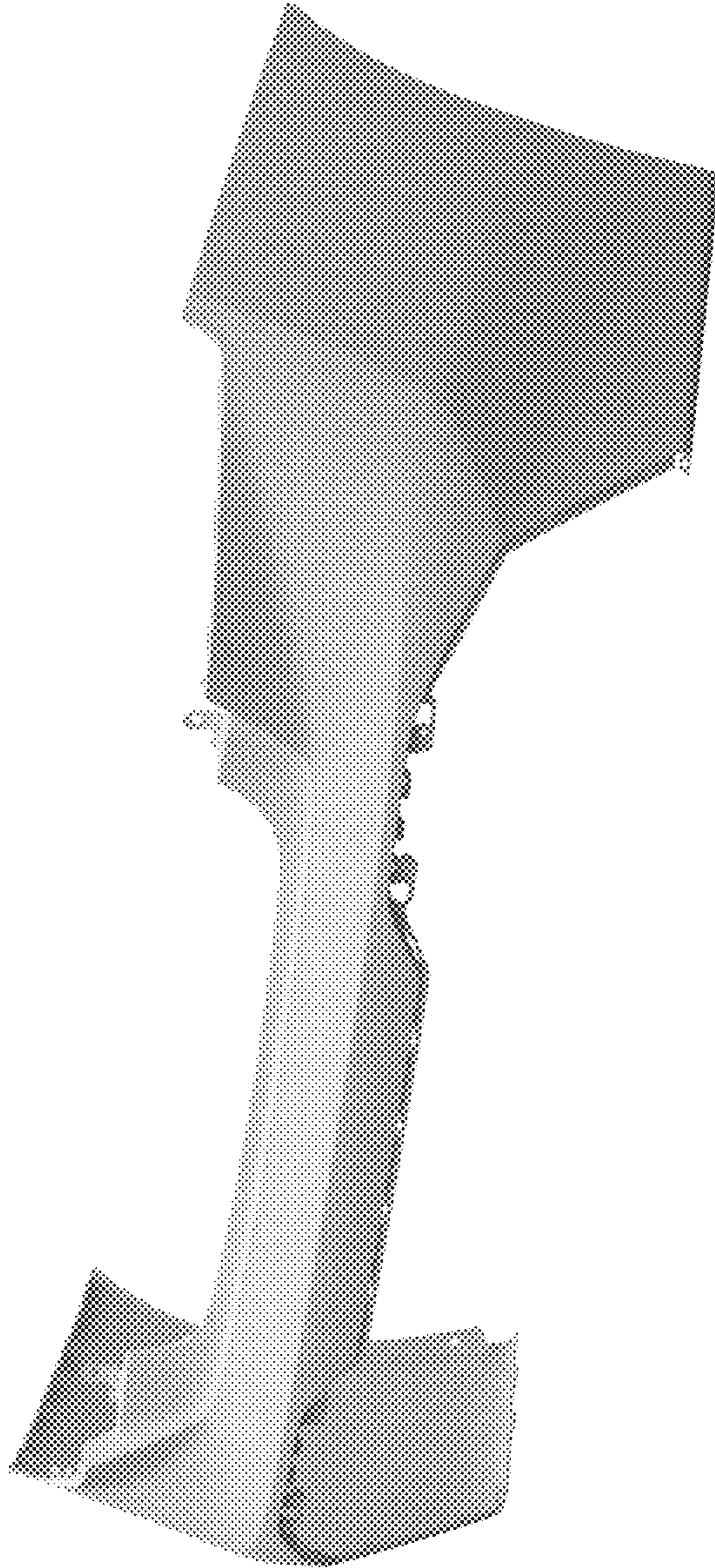


Fig. 3

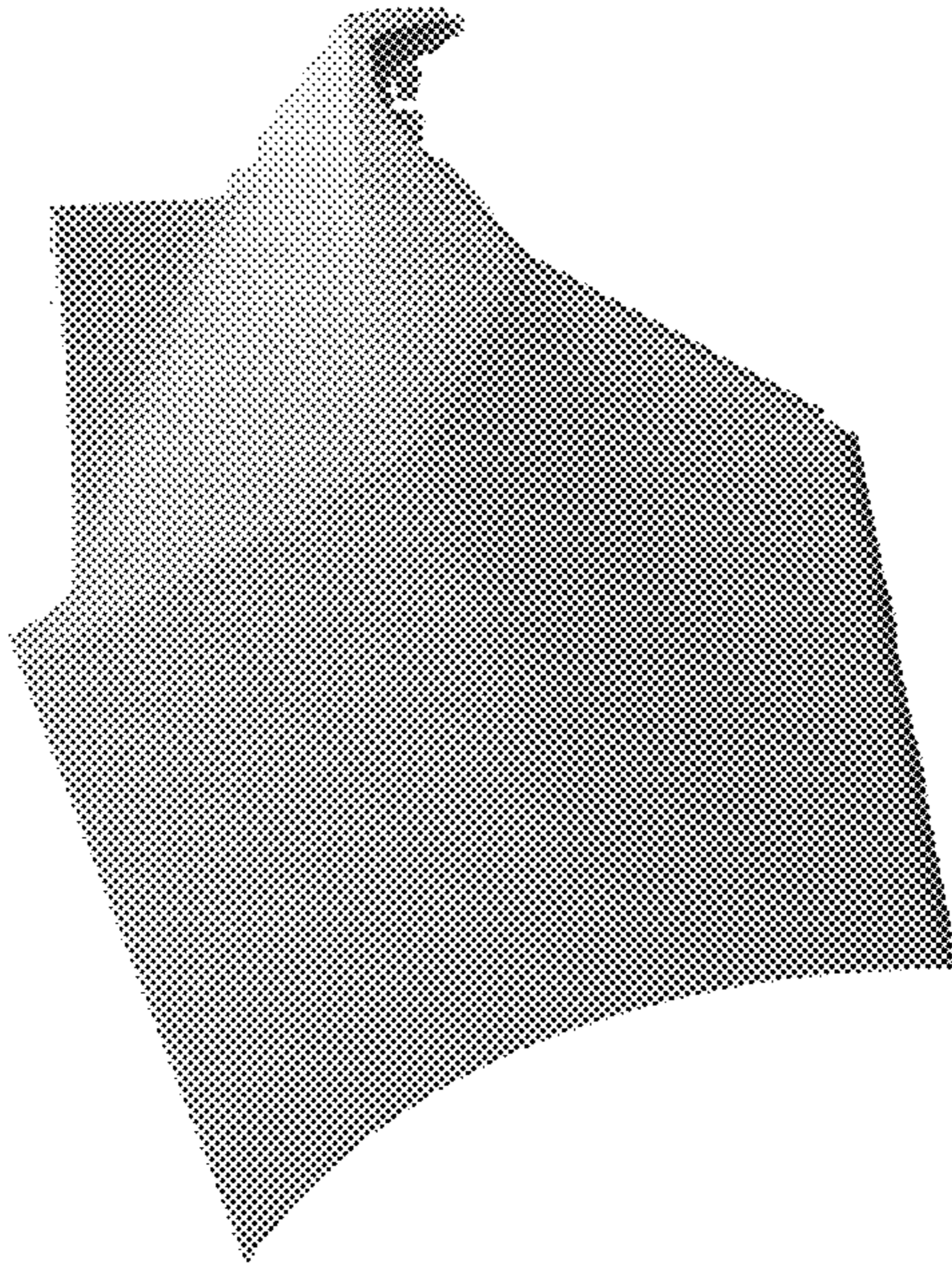


Fig. 4

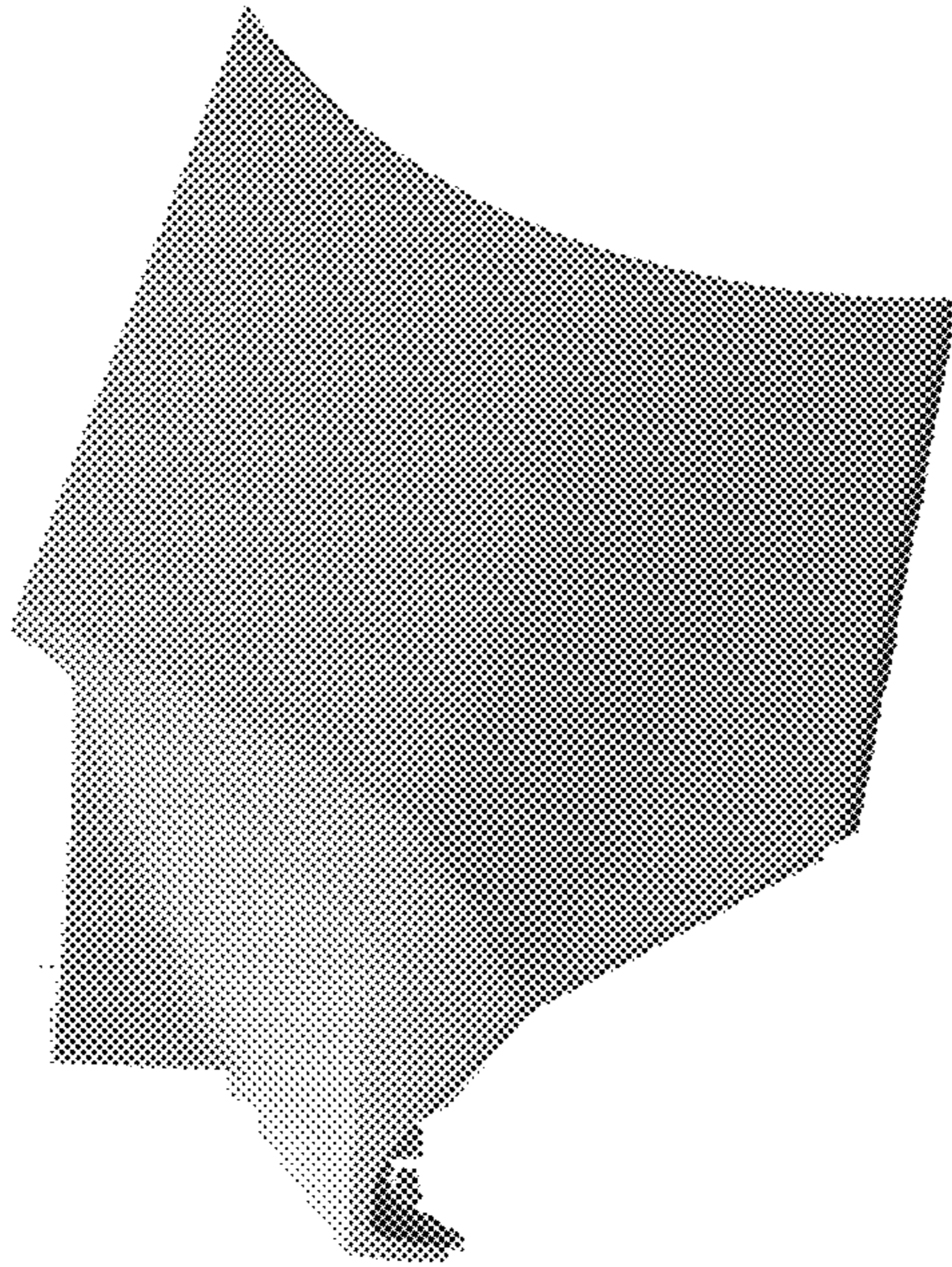


Fig. 5

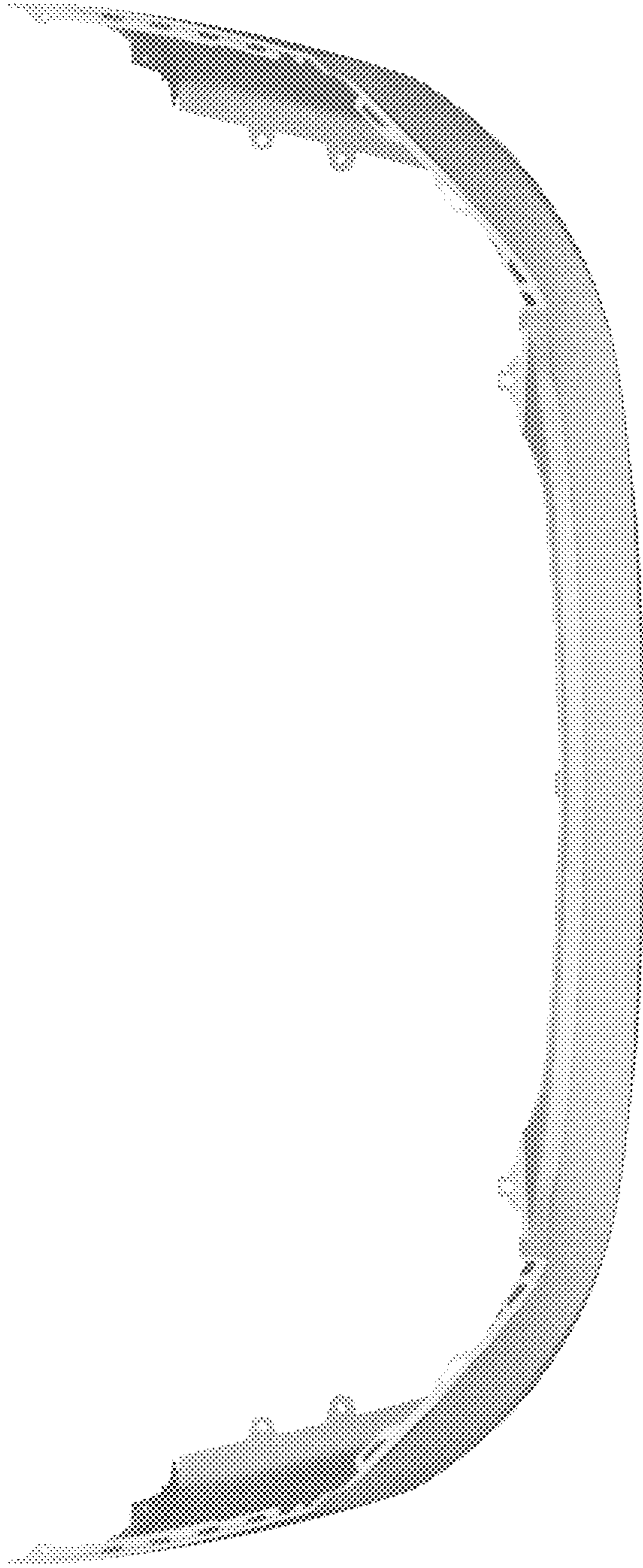


Fig. 6

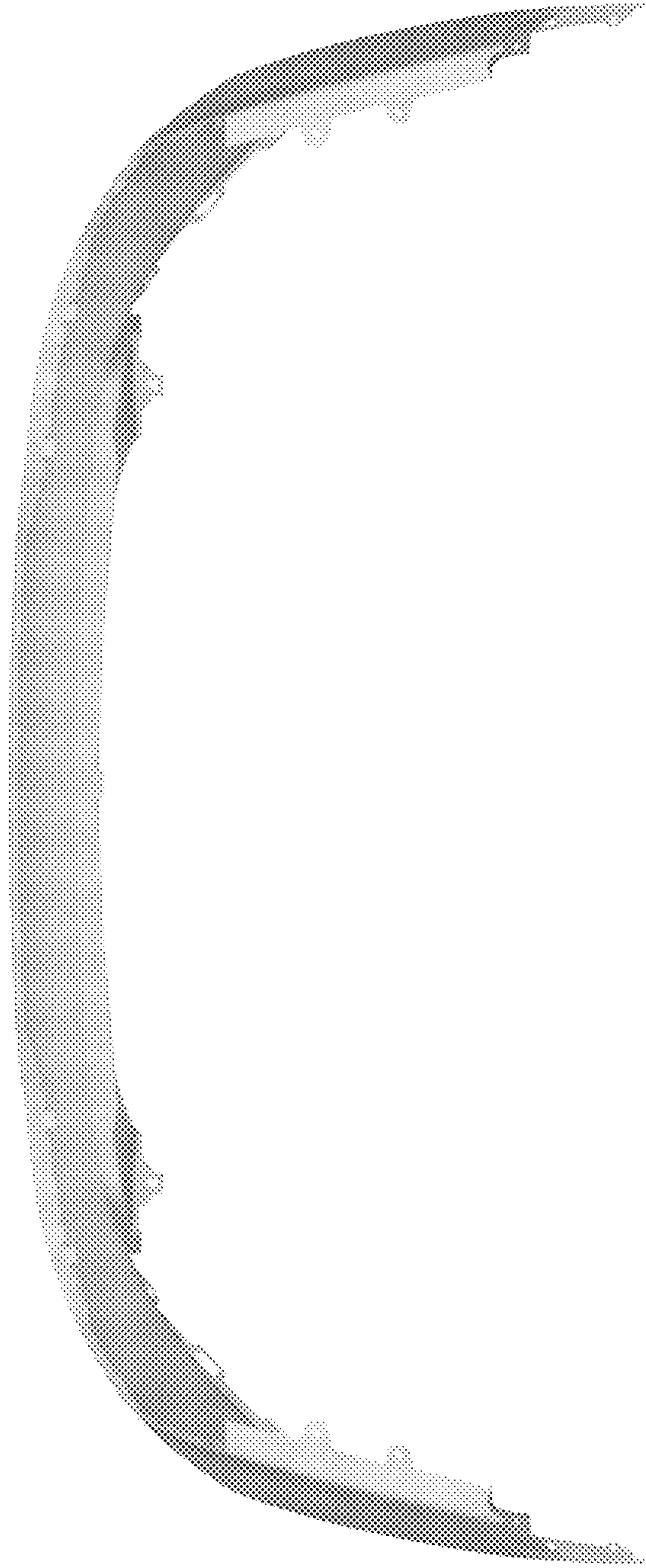


Fig. 7

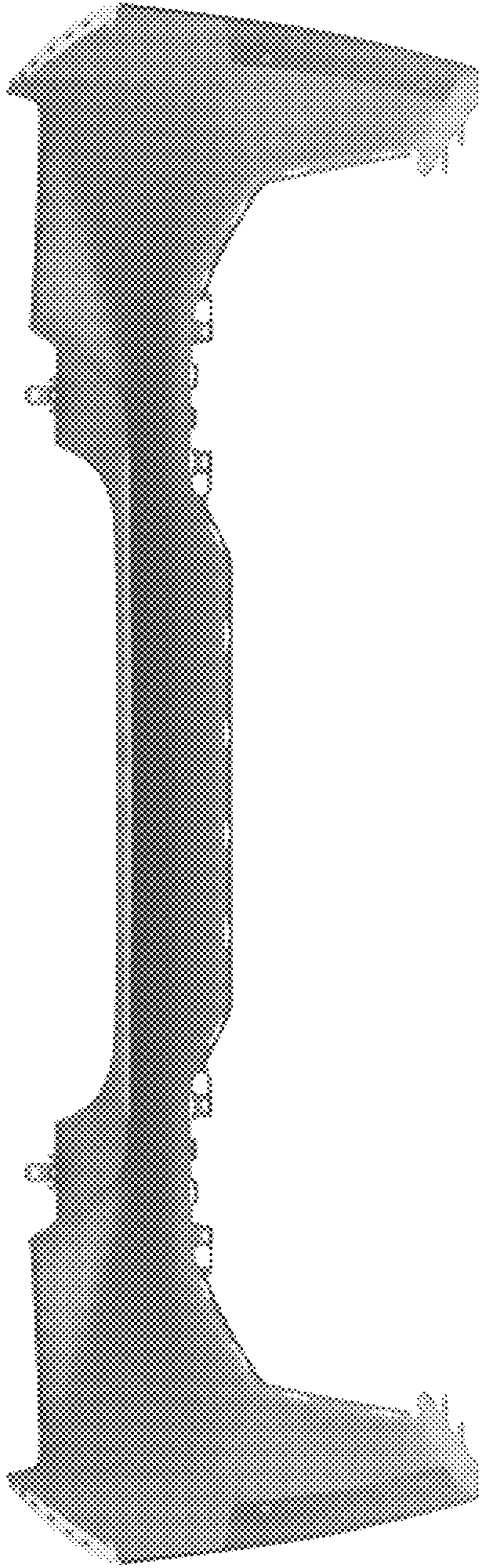


Fig. 8