



US00D979468S

(12) **United States Design Patent** (10) **Patent No.:** **US D979,468 S**  
**Burki** (45) **Date of Patent:** **\*\* Feb. 28, 2023**

(54) **FRONT END OF MOTOR VEHICLE, TOY VEHICLE REPLICA AND/OR OTHER REPLICA**

(71) Applicant: **Dr. Ing. h.c. F. Porsche Aktiengesellschaft, Stuttgart (DE)**

(72) Inventor: **Emiel Burki, Stuttgart (DE)**

(73) Assignee: **Dr. Ing. h.c. F. Porsche Aktiengesellschaft**

(\*\*) Term: **15 Years**

(21) Appl. No.: **29/713,376**

(22) Filed: **Nov. 15, 2019**

(30) **Foreign Application Priority Data**

May 17, 2019 (DE) ..... 402019100571.4

(51) **LOC (14) Cl.** ..... **12-08**

(52) **U.S. Cl.**  
USPC ..... **D12/167; D12/86**

(58) **Field of Classification Search**  
USPC ..... D12/167, 169, 173, 86  
CPC ..... B60R 2019/527; B60R 2019/1886; B60R 19/02; B60R 19/023; B60R 19/18; B60R 19/24; B60R 19/44; B60R 19/48; B60R 19/56

See application file for complete search history.

(56) **References Cited**

**U.S. PATENT DOCUMENTS**

D576,926 S \* 9/2008 Hettler ..... D12/169  
D598,827 S \* 8/2009 Kanai ..... D12/169  
D710,758 S \* 8/2014 Suzuki ..... D12/86  
D786,147 S \* 5/2017 Horie ..... D12/169  
D814,369 S \* 4/2018 Loeb ..... D12/169

D860,883 S \* 9/2019 Heo ..... D12/167  
D860,884 S \* 9/2019 Pollard ..... D12/169  
D870,614 S \* 12/2019 Ea ..... D12/169  
D943,459 S \* 2/2022 Betancourt ..... D12/92  
D950,433 S \* 5/2022 Burki ..... D12/164  
D955,931 S \* 6/2022 Jevremovic ..... D12/169  
D958,025 S \* 7/2022 Nakagawa ..... D12/169  
2006/0157992 A1 \* 7/2006 Sakamoto ..... B60R 19/52  
293/115  
2022/0242349 A1 \* 8/2022 Berger ..... B60R 19/34

**OTHER PUBLICATIONS**

Aerokit Front Bumper (996): Suncoast Porsche Parts & Accessories, posted [online], [retrieved Sep. 27, 2022]. Retrieved from internet, <https://www.suncoastparts.com/product/SKU996AKB.html> (Date:Sep. 27, 2022) (Year: 2022).\*

(Continued)

*Primary Examiner* — Christian P. McLean  
*Assistant Examiner* — Jessica Lynn Devilbiss  
(74) *Attorney, Agent, or Firm* — RatnerPrestia

(57) **CLAIM**

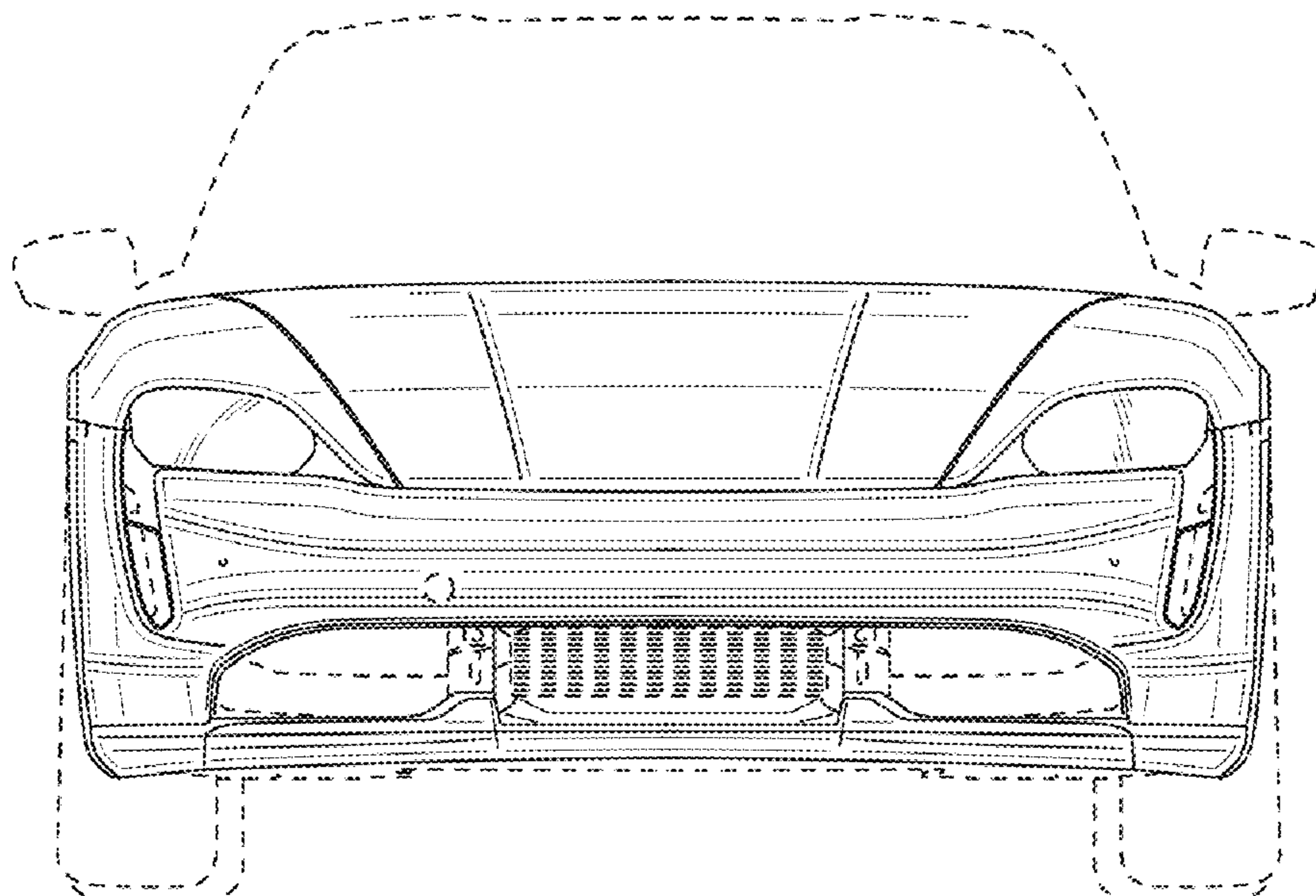
The ornamental design for a front end of motor vehicle, toy vehicle replica and/or other replica, as shown and described.

**DESCRIPTION**

FIG. 1 is a front elevation view of a front end of motor vehicle, toy vehicle replica and/or other replica;  
FIG. 2 is an elevation view from the left side thereof, the right side being a substantial mirror image thereof; and,  
FIG. 3 is a top plan view thereof.

The broken lines illustrate a vehicle, toy, or replica thereof, which is the environment of the design, and which forms no part of the claimed design. The remaining broken lines illustrate portions of the front end of the vehicle, toy, or replica thereof, and form no part of the claimed design.

**1 Claim, 3 Drawing Sheets**



(56)

**References Cited**

OTHER PUBLICATIONS

Design U.S. Appl. No. 29/621,322, by Lauter, filed Oct. 6, 2017.  
Design U.S. Appl. No. 29/621,328, by Burki, filed Oct. 6, 2017.  
Design U.S. Appl. No. 29/653,657, by Burki, filed Jun. 17, 2018.  
Design U.S. Appl. No. 29/684,446, by Scheinhütte, filed Mar. 21, 2019.  
Design U.S. Appl. No. 29/685,088, by Burki, filed Mar. 26, 2019.  
Design U.S. Appl. No. 29/700,817, Larson, filed Aug. 6, 2019.

\* cited by examiner

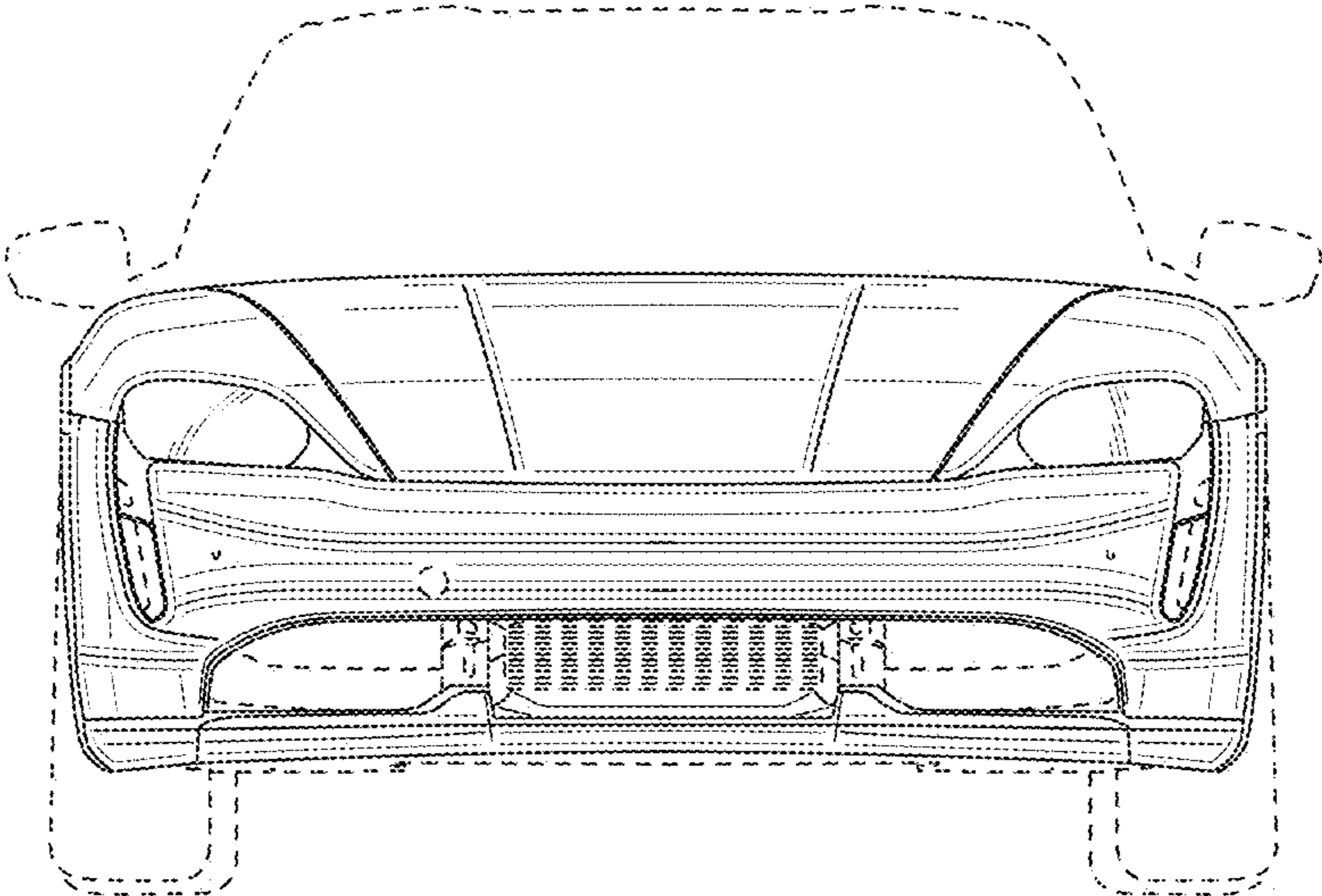


FIG. 1

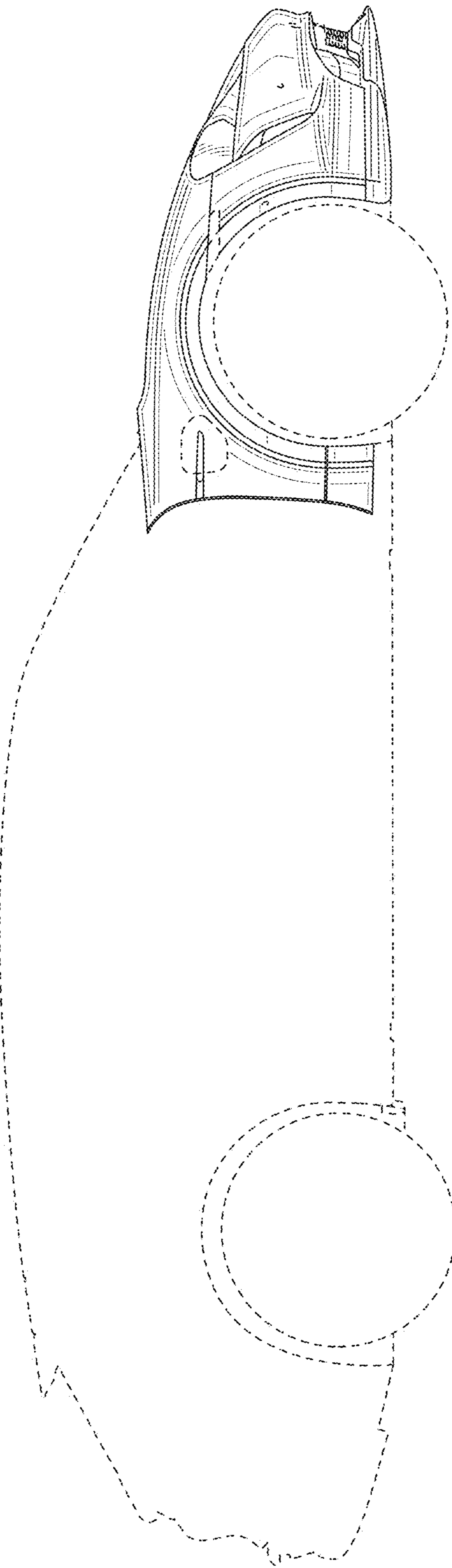


FIG. 2

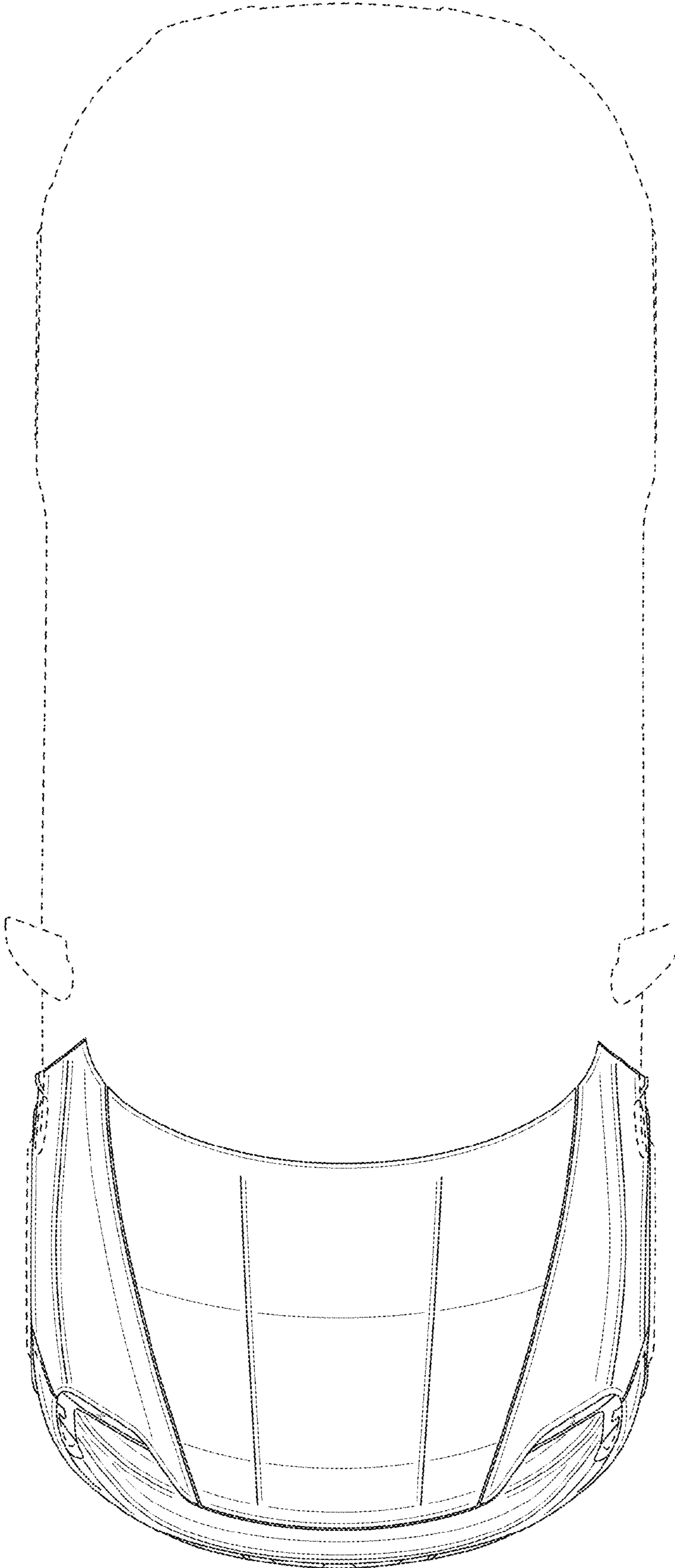


FIG. 3